

CHAPTER 14

ELECTRICAL AND AVIONICS SYSTEMS

<u>Section</u>	<u>Title</u>	<u>Page</u>
14.000	Electrical and Avionics Systems	14.1
14.300	Police and Electronic News Gathering (E.N.G.) Version Equipment	14.3
14.310	(Nucomm) HD Microwave System	14.3A
14.311	(Nucomm) HD Microwave System — Controller	14.3A
14.312	(Nucomm) HD Microwave System — Transmitter	14.3A
14.313	(Nucomm) HD Microwave System — Pod Antenna	14.3B
14.314	(Nucomm) HD Microwave System — Power Amp	14.3B
14.320	(Vislink) HD Microwave System	14.3C
14.321	(Vislink) HD Microwave System — Control Panel	14.3C
14.322	(Vislink) HD Microwave System — L1600 Encoder Transmitter	14.3C
14.323	(Vislink) HD Microwave System — Pod Antenna	14.3D
14.324	(Vislink) HD Microwave System — Power Amp	14.3D
14.330	Geneva Audio System	14.3E
14.331	Geneva Audio System — Pilot Audio Panel	14.3E
14.332	Geneva Audio System — Co-pilot Audio Panel	14.3E
14.333	Geneva Audio System — Aft Audio Panels	14.3F
14.334	Geneva Audio System — Router	14.3G
14.335	Geneva Audio System — Transmit Switch	14.3I
14.600	Electrical System Schematics	14.17
14.700	[Reserved.]	14.21
14.800	Antenna Locations	14.25
14.900	Avionics Schematics	14.27

Intentionally Blank

CHAPTER 14**ELECTRICAL AND AVIONICS SYSTEMS**14.000 Electrical and Avionics Systems

Electrical System information has been moved to Chapter 37.

Avionics information has been moved to Chapter 38.

[Pages 14.3J thru 14.16 have been deleted, are no longer effective, and should be discarded.]

Intentionally Blank

Intentionally Blank

14.300 Police and Electronic News Gathering (E.N.G.) Version Equipment**14.310 (Nucomm) HD Microwave System**

Refer to R44 Illustrated Parts Catalog (IPC) Figures 90-21 and 90-27. Refer to MM Figures 14-3H, 14-3I, 14-3J, and 14-3K for microwave system installation wiring schematic.

14.311 (Nucomm) HD Microwave System - Controller**A. Removal**

1. Turn battery switch off & pull-out associated circuit breaker.
2. Remove screws and washers securing ARC-CM-TX-RX-CR-01 controller to aft console. Carefully lift controller from console.
3. Loosen screws securing D-sub connector to controller receptacle and disconnect connector from controller. Remove controller.

B. Installation

1. Turn battery switch off & pull-out associated circuit breaker.
2. Position ARC-CM-TX-RX-CR-01 controller above aft console support and connect D-sub connector to controller receptacle. Tighten connector screws and verify security.
3. Position controller in support and install mounting washers and screws. Verify security.
4. Push-in associated circuit breaker & turn battery switch on. Perform appropriate post-installation function checks. Turn battery switch off.

14.312 (Nucomm) HD Microwave System - Transmitter**A. Removal**

1. Turn battery switch off & pull-out associated circuit breaker.
2. Disconnect cable plugs from CMTX7-LITE transmitter.
3. Remove screws securing D429-12 angles and cable clamps to seat support and transmitter. Remove transmitter.

B. Installation

1. Turn battery switch off & pull-out associated circuit breaker.
2. Install screws securing D429-12 angles and cable clamps to seat support and CMTX7-LITE transmitter. Verify transmitter security.
3. Connect cable plugs to transmitter.
4. Push-in associated circuit breaker & turn battery switch on. Perform appropriate post-installation function checks. Turn battery switch off.

14.313 (Nucomm) HD Microwave System - Pod Antenna**A. Removal**

1. Turn battery switch off & pull-out associated circuit breaker.
2. Disconnect cable plugs from PA8- or PA16- pod antenna and D618-1 amp assembly.
3. Have a second person support pod antenna. Remove screws and washers securing pod antenna to D586 brackets, and remove pod antenna.
4. Remove power amp per Section 14.314.

B. Installation

1. Turn battery switch off & pull-out associated circuit breaker.
2. Have a second person support PA8- or PA16- pod antenna. Install screws and washers securing pod antenna to D586 brackets. Verify pod antenna security.
3. Connect cable plugs to pod antenna.
4. Push-in associated circuit breaker & turn battery switch on. Perform appropriate post-installation function checks. Turn battery switch off.

14.314 (Nucomm) HD Microwave System - Power Amp**A. Removal**

1. Turn battery switch off & pull-out associated circuit breaker.
2. Remove pod antenna per Section 14.313, as required, or disconnect cable plugs from amp assembly.
3. Remove screws securing amp assembly to PA8- or PA16- pod antenna, and remove amp and thermal pads.

B. Installation

1. Turn battery switch off & pull-out associated circuit breaker.
2. Align thermal pads, amp assembly, and PA8- or PA16- pod antenna fastener holes and install screws. Verify amp security.
3. Install pod antenna per Section 14.313, as required, or connect cable plugs to amp assembly.
4. Push-in associated circuit breaker & turn battery switch on. Perform appropriate post-installation function checks. Turn battery switch off.

14.320 (Vislink) HD Microwave System

Refer to R44 Illustrated Parts Catalog (IPC) Figures 90-23 and 90-27. Refer to MM Figures 14-3H, 14-3I, 14-3J, and 14-3K for microwave system installation wiring schematic.

14.321 (Vislink) HD Microwave System - Control Panel

A. Removal

1. Turn battery switch off & pull-out associated circuit breaker.
2. Remove screws and washers securing L1260 control panel to aft console. Carefully lift control panel from console.
3. Loosen screws securing D-sub connector to control panel receptacle and disconnect connector from control panel. Remove controller.

B. Installation

1. Turn battery switch off & pull-out associated circuit breaker.
2. Position L1260 control panel above aft console support and connect D-sub connector to control panel receptacle. Tighten connector screws and verify security.
3. Position control panel in support and install mounting washers and screws. Verify security.
4. Push-in associated circuit breaker & turn battery switch on. Perform appropriate post-installation function checks. Turn battery switch off.

14.322 (Vislink) HD Microwave System - L1600 Encoder Transmitter

A. Removal

1. Turn battery switch off & pull-out associated circuit breaker.
2. Disconnect cable plugs from L1600 encoder transmitter.
3. Remove screws securing transmitter to seat support, and remove transmitter.

B. Installation

1. Turn battery switch off & pull-out associated circuit breaker.
2. Install screws securing L1600 encoder transmitter to seat support. Verify transmitter security.
3. Connect cable plugs to transmitter.
4. Push-in associated circuit breaker & turn battery switch on. Perform appropriate post-installation function checks. Turn battery switch off.

14.322 (Vislink) HD Microwave System - HDT-1000 Encoder Transmitter**A. Removal**

1. Turn battery switch off & pull-out associated circuit breaker.
2. Disconnect cable plugs from HDT-1000 encoder transmitter.
3. Remove hardware securing transmitter to D429-13 plate, and remove transmitter.

B. Installation

1. Turn battery switch off & pull-out associated circuit breaker.
2. Install hardware securing HDT-1000 transmitter to D429-13 plate. Verify transmitter security.
3. Connect cable plugs to transmitter.
4. Push-in associated circuit breaker & turn battery switch on. Perform appropriate post-installation function checks. Turn battery switch off.

14.323 (Vislink) HD Microwave System - Pod Antenna

Perform pod antenna removal and installation per Section 14.313.

14.324 (Vislink) HD Microwave System - Power Amp

Perform power amp removal and installation per Section 14.314.

14.330 Geneva Audio System

Refer to MM Figures 14-3L and 13-3M for geneva audio system installation wiring schematic.

14.331 Geneva Audio - Pilot Audio Panel

Refer to R44 Illustrated Parts Catalog (IPC) Figure 92-21.

A. Removal

1. Turn battery switch off & pull-out associated circuit breaker.
2. Remove screws securing D579-8 audio panel to radio tray, and remove audio panel.

B. Installation

1. Turn battery switch off & pull-out associated circuit breaker.
2. Position D579-8 audio panel in appropriate radio tray support and install two mounting screws. Verify security.
3. Push-in associated circuit breaker & turn battery switch on. Perform appropriate post-installation function checks. Turn battery switch off.

14.332 Geneva Audio System - Co-pilot Audio Panel

Refer to R44 Illustrated Parts Catalog (IPC) Figure 92-23.

A. Removal

1. Turn battery switch off & pull-out associated circuit breaker.
2. Remove screws securing D557-2 cover to D592-1 mount and D579-7 audio panel. Remove cover.
3. Remove screws securing mount to FM transceiver and cabin structure.
4. Loosen screws securing D-sub connector to audio panel receptacle and disconnect connector from audio panel.
5. Remove audio panel. Remove screws securing mount to audio panel and remove mount.

14.332 Geneva Audio System - Co-pilot Audio Panel (continued)**B. Installation**

1. Turn battery switch off & pull-out associated circuit breaker.
2. Position D592-1 mount on D579-7 audio panel and install screws. Verify mount security.
3. Position audio panel in helicopter and connect D-sub connector to audio panel receptacle. Tighten connector screws and verify security.
4. Install screws securing mount to FM transceiver and cabin structure. Verify audio panel security.
5. Install screws securing D557-2 cover on audio panel. Verify cover security.
6. Push-in associated circuit breaker & turn battery switch on. Perform appropriate post-installation function checks. Turn battery switch off.

14.333 Geneva Audio System - Aft Audio Panels

Refer to R44 Illustrated Parts Catalog (IPC) Figure 92-25.

A. Removal

1. Turn battery switch off & pull-out associated circuit breaker.
2. Remove screws securing D579-7 or D579-9 audio panel to aft console. Carefully lift audio panel from console.
3. Loosen screws securing D-sub connector to audio panel receptacle and disconnect connector from audio panel. Remove audio panel.
4. Remove screws securing molding to audio panel and remove molding.

B. Installation

1. Turn battery switch off & pull-out associated circuit breaker.
2. Position molding on D579-7 or D579-9 audio panel and install screws. Verify molding security.
3. Position audio panel above appropriate aft console support and connect D-sub connector to audio panel receptacle. Tighten connector screws and verify security.
4. Position audio panel in support and install two mounting screws. Verify security.
5. Push-in associated circuit breaker & turn battery switch on. Perform appropriate post-installation function checks. Turn battery switch off.

14.334 Geneva Audio System - Router

Refer to R44 Illustrated Parts Catalog (IPC) Figure 92-27 and 92-31.

A. G13000 Digital Router Removal

1. Turn battery switch off & pull-out associated circuit breaker.
2. Hinge forward left seat forward.
3. Loosen screws securing D-sub connectors and ground wires to G13000 digital router receptacles and disconnect connectors from router. Remove audio panel.
4. Remove screws, washers, and spacers securing router to cabin floor. Remove router.

B. G13000 Digital Router Removal Installation

1. Turn battery switch off & pull-out associated circuit breaker.
2. Hinge forward left seat forward.
3. Position G13000 digital router on cabin floor and install spacers, washers, and screws. Verify router security.
4. Connect appropriate D-sub connectors and ground wires to router receptacles. Tighten connector screws and verify security.
5. Position audio panel in support and install two mounting screws. Verify security.
6. Hinge forward left seat aft. Push-in associated circuit breaker & turn battery switch on. Perform appropriate post-installation function checks. Turn battery switch off.

C. D579-2 Backplane Router Removal

1. Turn battery switch off & pull-out associated circuit breaker.
2. Hinge forward left seat forward. Cut and discard ty-raps as required to disconnect C060-5 transmit switch wiring from harness at connectors.
3. Loosen screws securing exterior D-sub connectors and ground wires to D579-2 backplane router and disconnect connectors from router.
4. Remove screw securing #1140 wire to router case. Remove screws securing three covers to router case, to access interior wire connectors.
5. Loosen screws securing interior D-sub connectors to router and disconnect connectors from router. Move harness to the side.
6. From helicopter belly, remove screws and washers securing router to floor. Lift router up and out of seat compartment.

14.334 Geneva Audio System - Router (continued)**D. D579-2 Backplane Router Installation**

1. Turn battery switch off & pull-out associated circuit breaker.
2. Hinge forward left seat forward.
3. Position D579-2 backplane router in seat compartment. From helicopter belly, install screws and washers securing router to floor. Verify security.
4. If not previously accomplished, remove screws securing three covers to router case, to access interior wire connectors.
5. Connect appropriate D-sub connectors to router interior receptacles. Tighten connector screws and verify security.
6. Install screws securing three covers to router case. Install screw securing #1140 wire to router case.
7. Connect appropriate D-sub connectors to router exterior receptacles. Tighten connector screws and verify security.
8. Connect C060-5 transmit switch wiring to harness at connectors and install ty-raps as required. Cinch ty-raps until snug without over-tightening, and trim tips flush with heads.
9. Hinge forward left seat forward. Push-in associated circuit breaker & turn battery switch on. Perform appropriate post-installation function checks. Turn battery switch off.

14.335 Geneva Audio - Transmit Switch

Refer to R44 Illustrated Parts Catalog (IPC) Figure 92-29.

A. Removal

1. Turn battery switch off & pull-out associated circuit breaker.
2. Unplug B121-1 transmit switch assembly from seat support. Hinge forward left seat forward.
3. Cut and discard ty-raps as required to disconnect transmit switch wiring from harness at connectors.
4. Remove hardware securing C060-5 transmit switch assembly to seat support, and remove switch assembly.

B. Installation

1. Turn battery switch off & pull-out associated circuit breaker.
2. Hinge forward left seat forward.
3. Position C060-5 transmit switch assembly against seat support and install hardware. Verify switch security.
4. Connect switch assembly wiring to harness at connectors and install ty-raps as required. Cinch ty-raps until snug without over-tightening, and trim tips flush with heads.
5. Hinge forward left seat forward. Plug B121-1 transmit switch assembly in seat support receptacle.
6. Push-in associated circuit breaker & turn battery switch on. Perform appropriate post-installation function checks. Turn battery switch off.

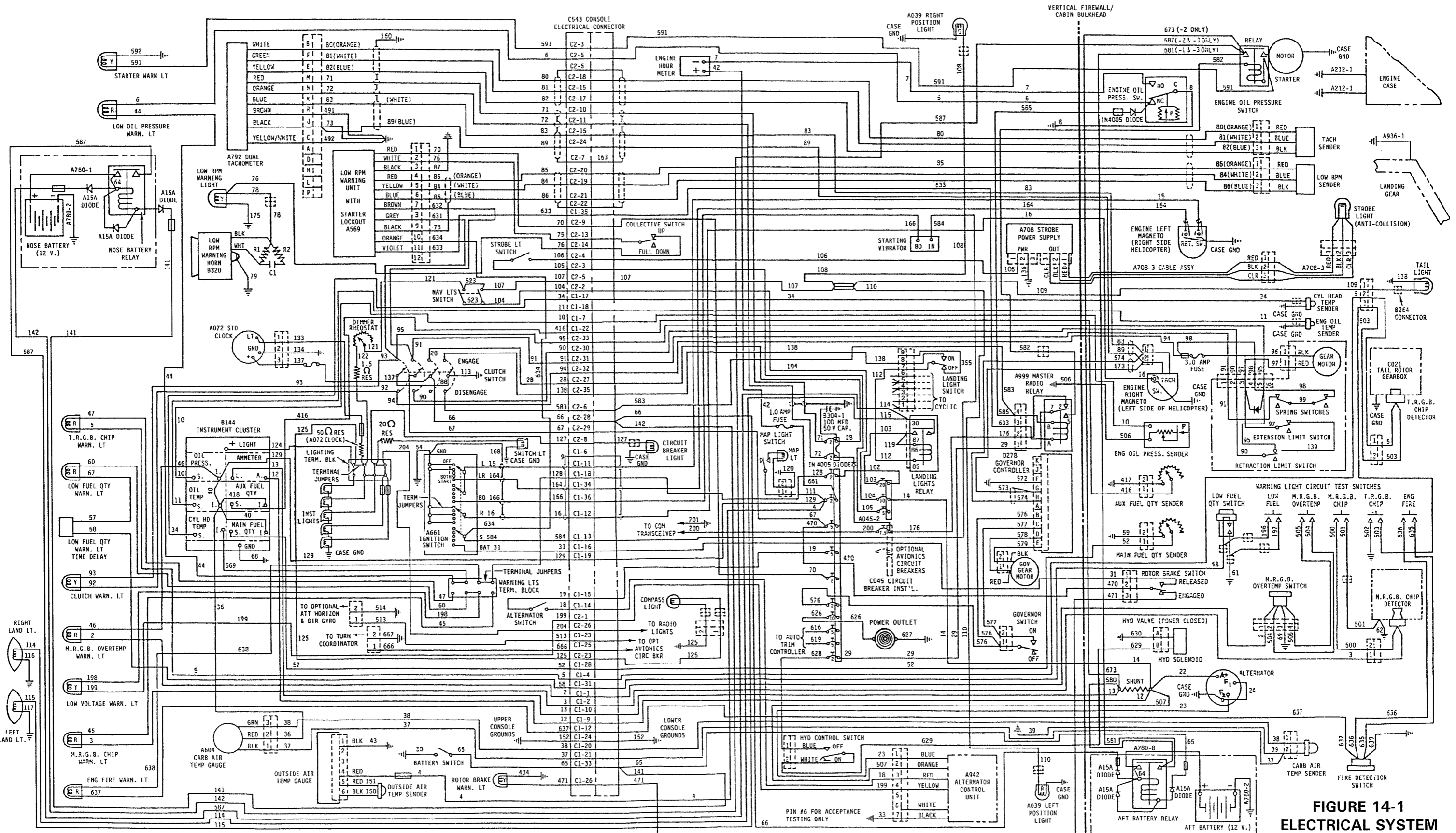
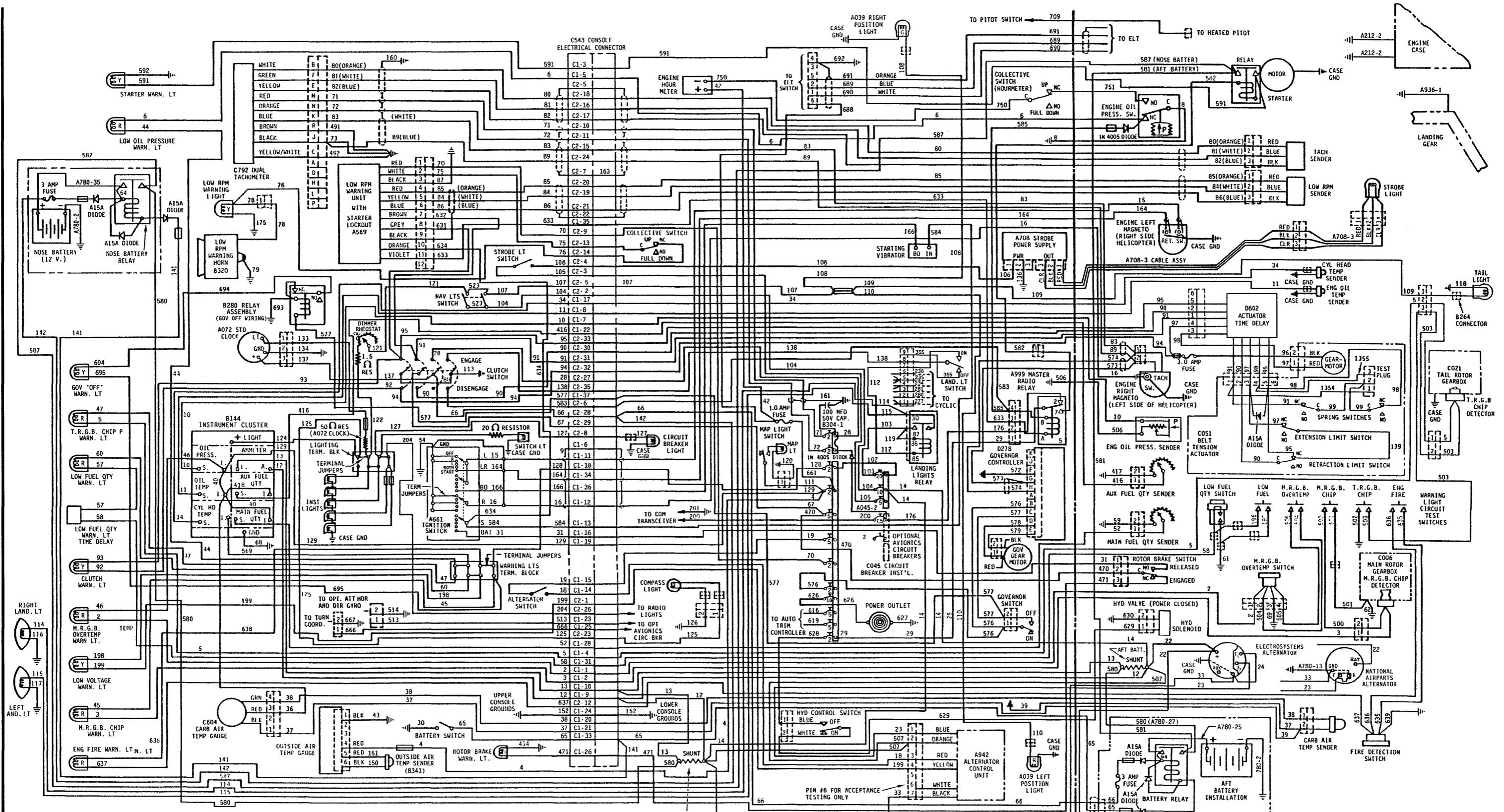
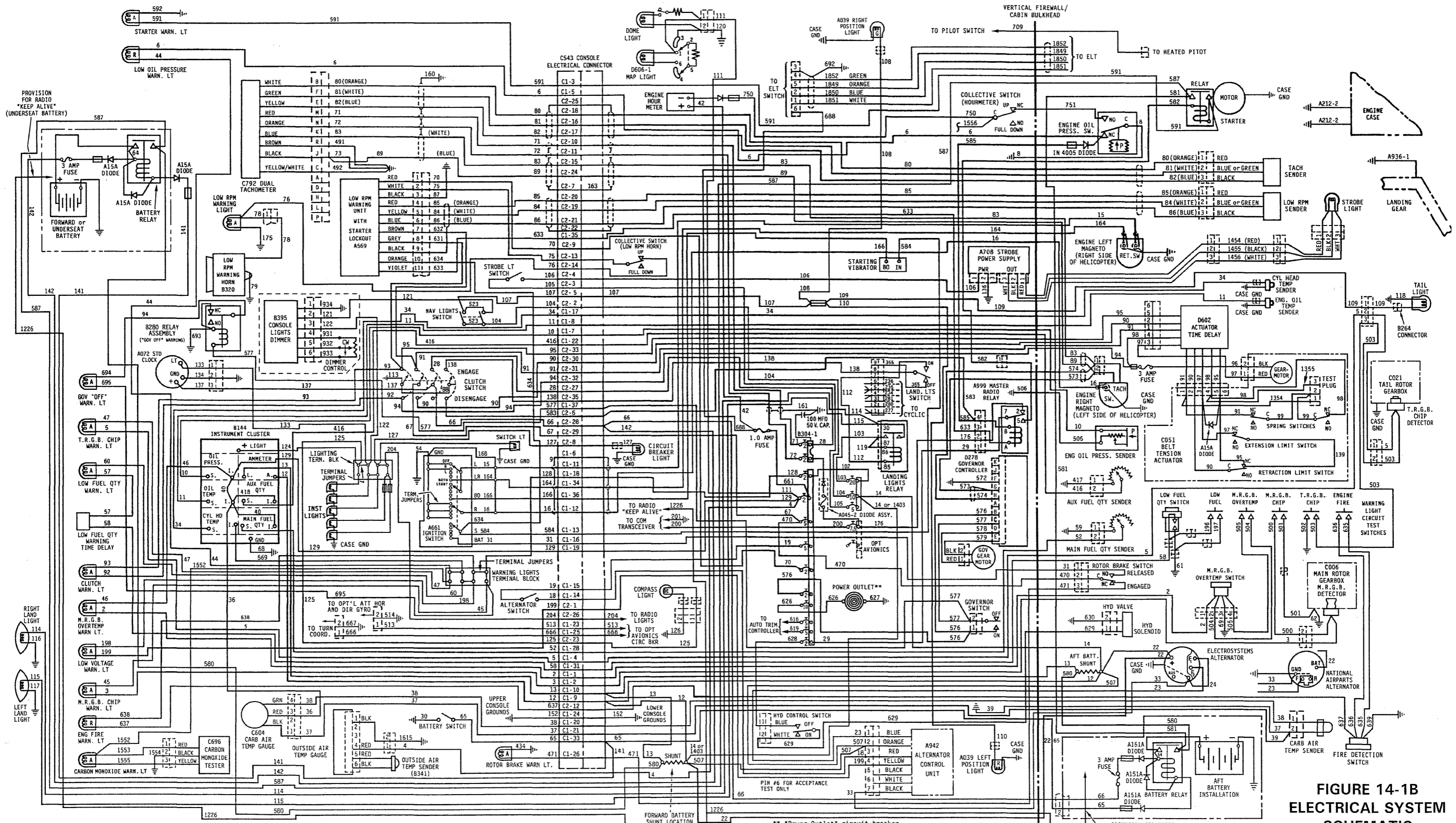


FIGURE 14-1
ELECTRICAL SYSTEM
SCHEMATIC (14-VOLT)



*For 14-volt R44s which have remote ELT switches, clock fuse on firewall, Governor-off warning light, clutch actuator test plug (if equipped), and National Airparts alternator (if equipped).

FIGURE 14-1A
ELECTRICAL SYSTEM
SCHEMATIC 14-VOLT



*For 14-volt R44s with C059 Rev AG and subsequent wire harness, LED map and dome light, and B395 console light dimmer.

** "Power Outlet" circuit breaker is 2 amp (Raven 1) or 10 amp (Raven 1).

FIGURE 14-1B
ELECTRICAL SYSTEM
SCHEMATIC
(14-VOLT)

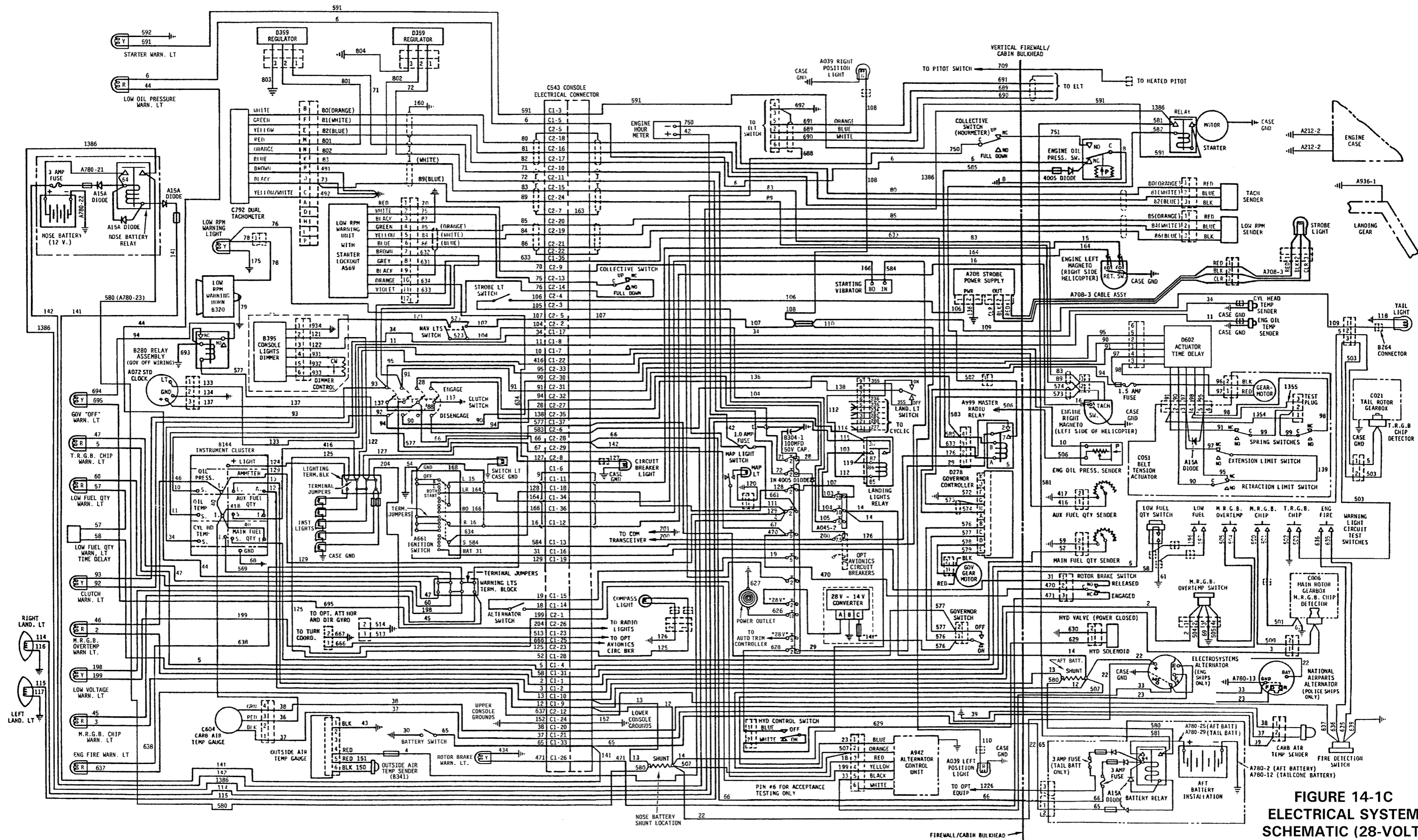
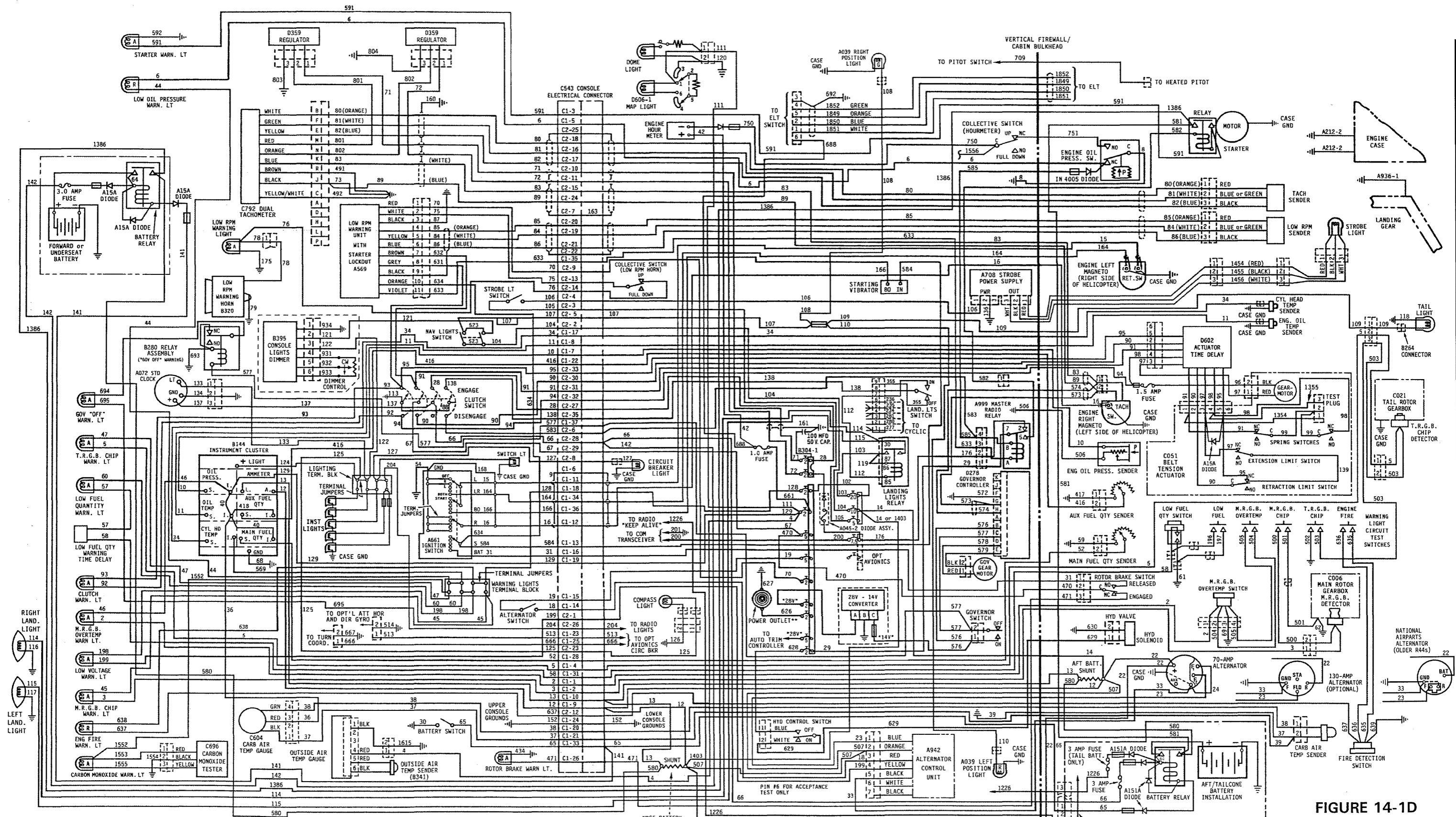


FIGURE 14-1C
ELECTRICAL SYSTEM
SCHEMATIC (28-VOLT)



*For 28-volt R44s with C059 Rev AG and subsequent wire harness, LED map and dome lights, and B395 console lights dimmer.

** "Power Outlet" circuit breaker is 2 amp (Raven II) or 10 amp (Raven I).

FIGURE 14-1D
ELECTRICAL SYSTEM
SCHEMATIC (28-VOLT)

Intentionally blank

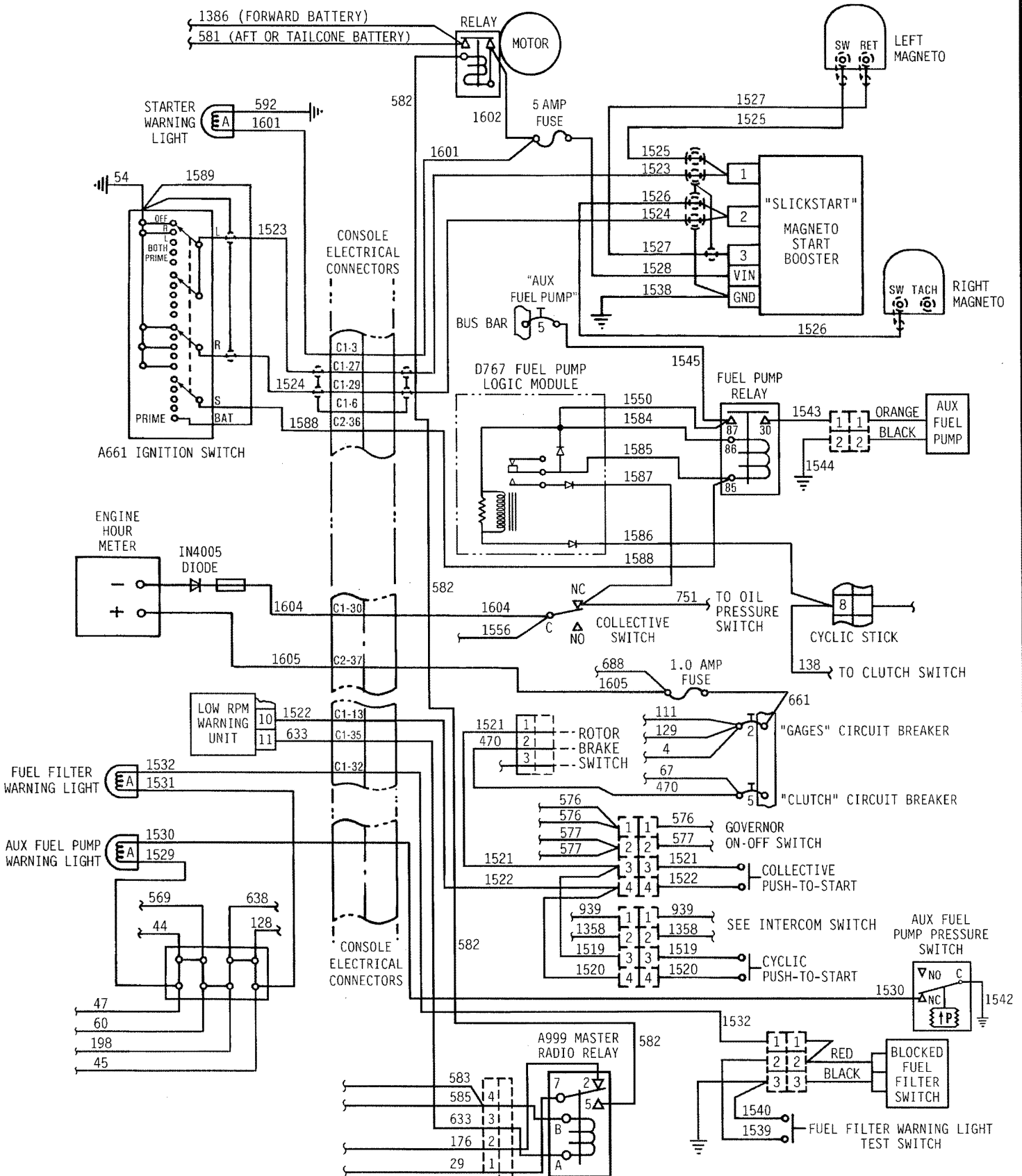
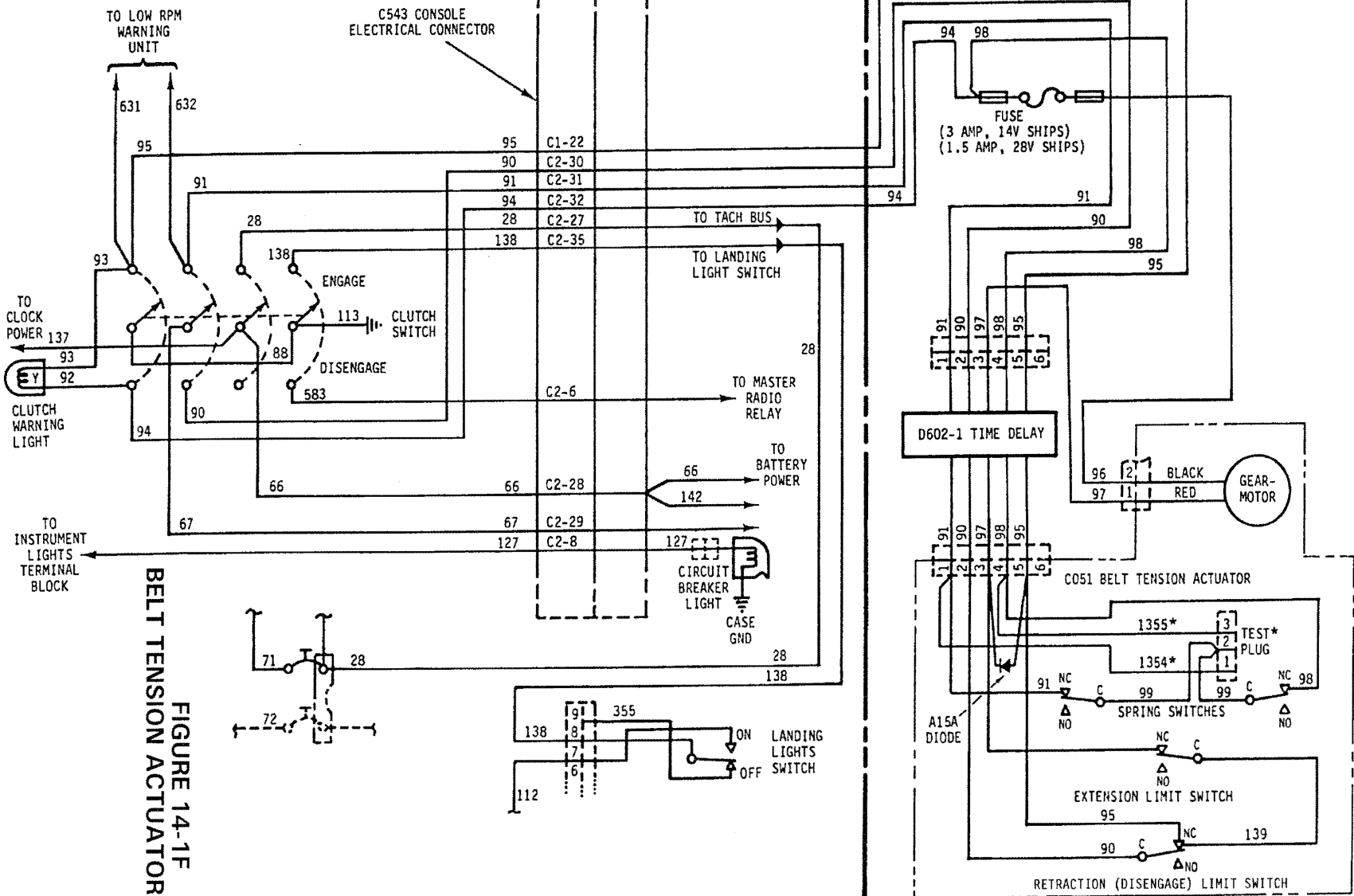


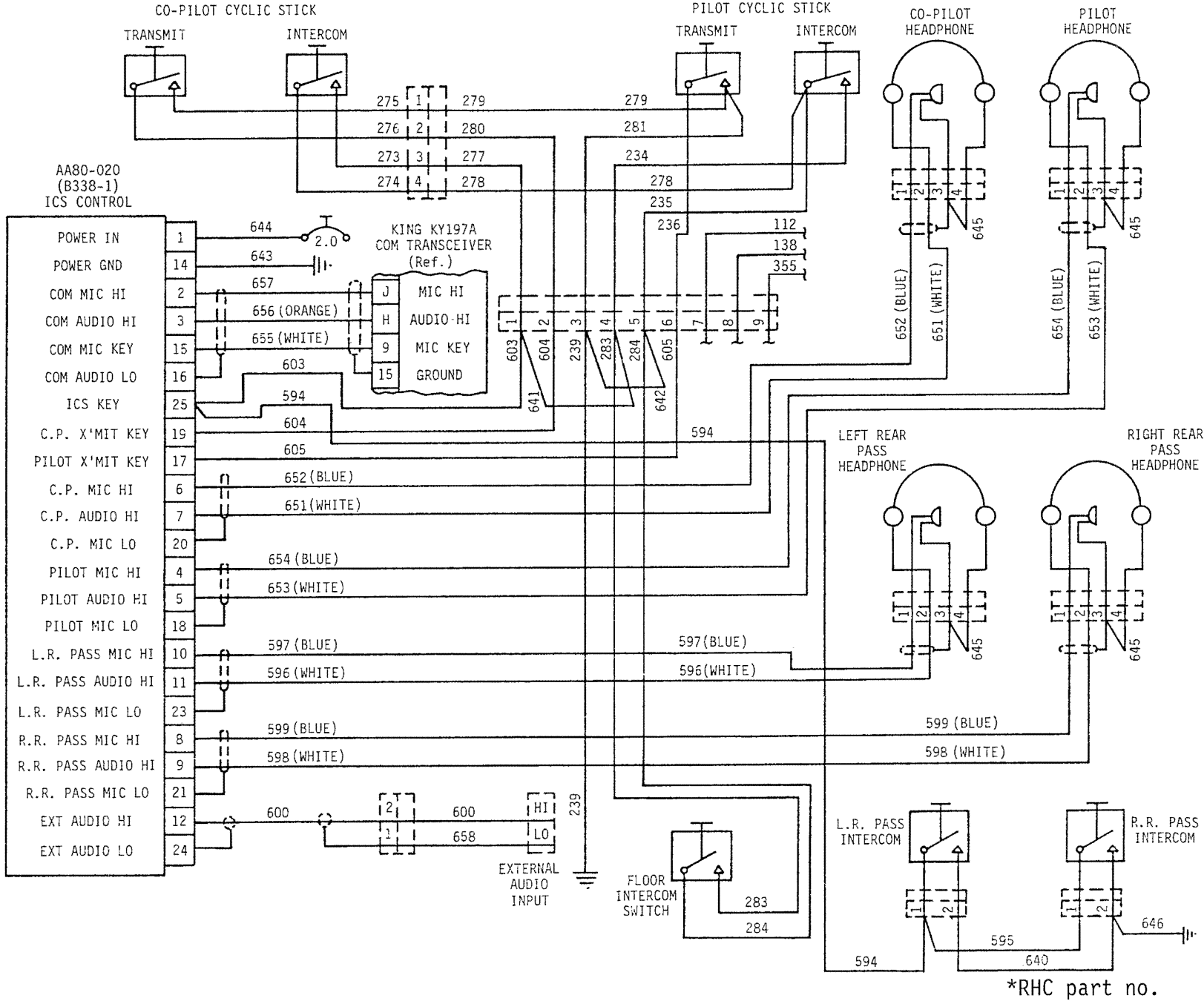
FIGURE 14-1E R44 II (IO-540) STARTING AND FUEL PUMP SCHEMATIC



*If installed.

FIGURE 14-1F
BELT TENSION ACTUATOR CIRCUIT

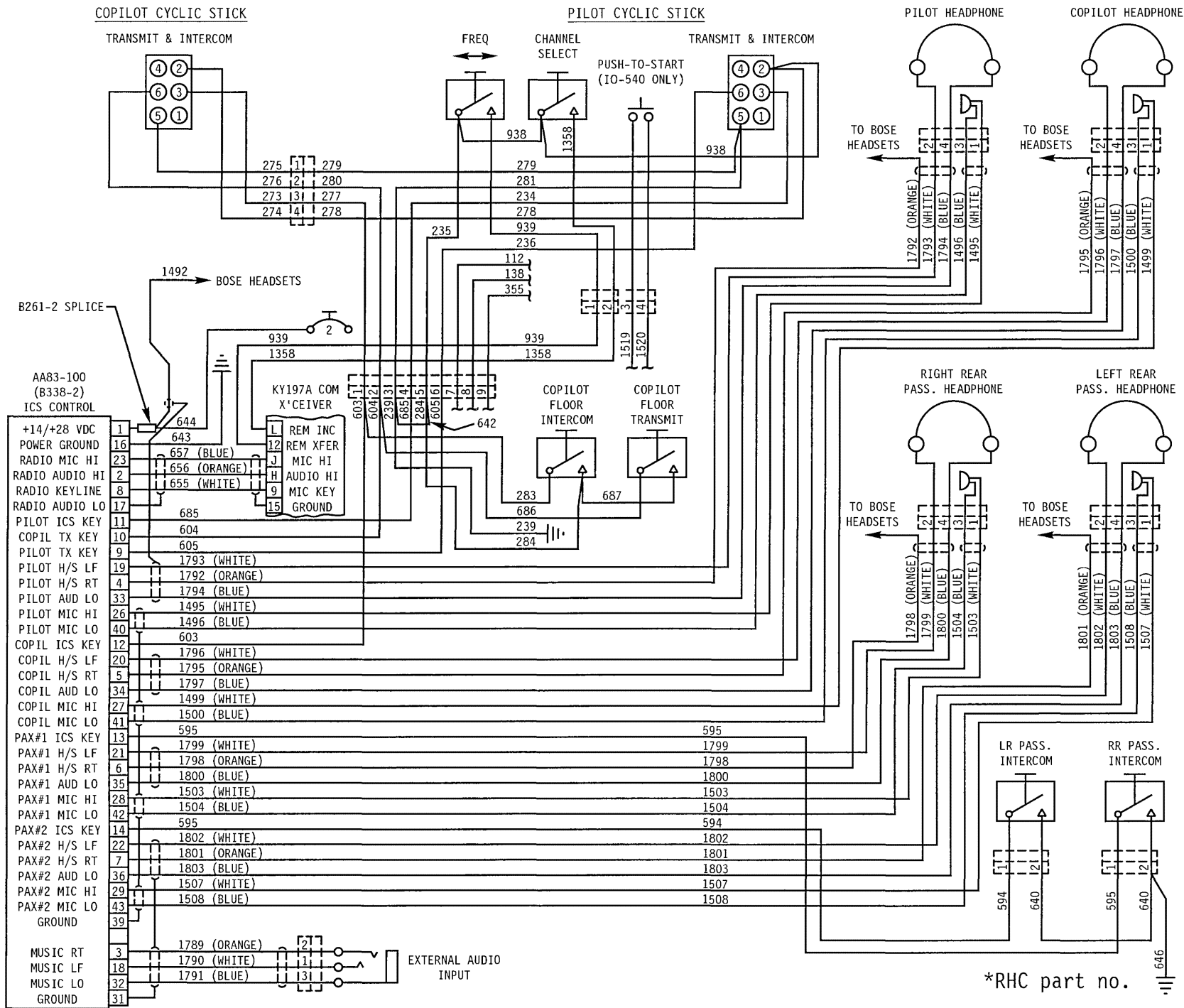
14.600 ELECTRICAL SYSTEMS SCHEMATICS (Cont'd)



*RHC part no.

FIGURE 14-2 INTERCOM SCHEMATIC WITH NAT AA80-020 (B338-1*) ICS CONTROL (SHIP S/N 10410 and PRIOR, SHIP S/N 1417 thru PRIOR)

14.600 ELECTRICAL SYSTEMS SCHEMATICS (Cont'd)



*RHC part no.

FIGURE 14-2A INTERCOM SCHEMATIC WITH NAT AA83-100 (B338-2*) ICS CONTROL (SHIP S/N 10410 and SUBSEQUENT, SHIP S/N 1418 thru 9999)

14.600 ELECTRICAL SYSTEMS SCHEMATICS (Cont'd)

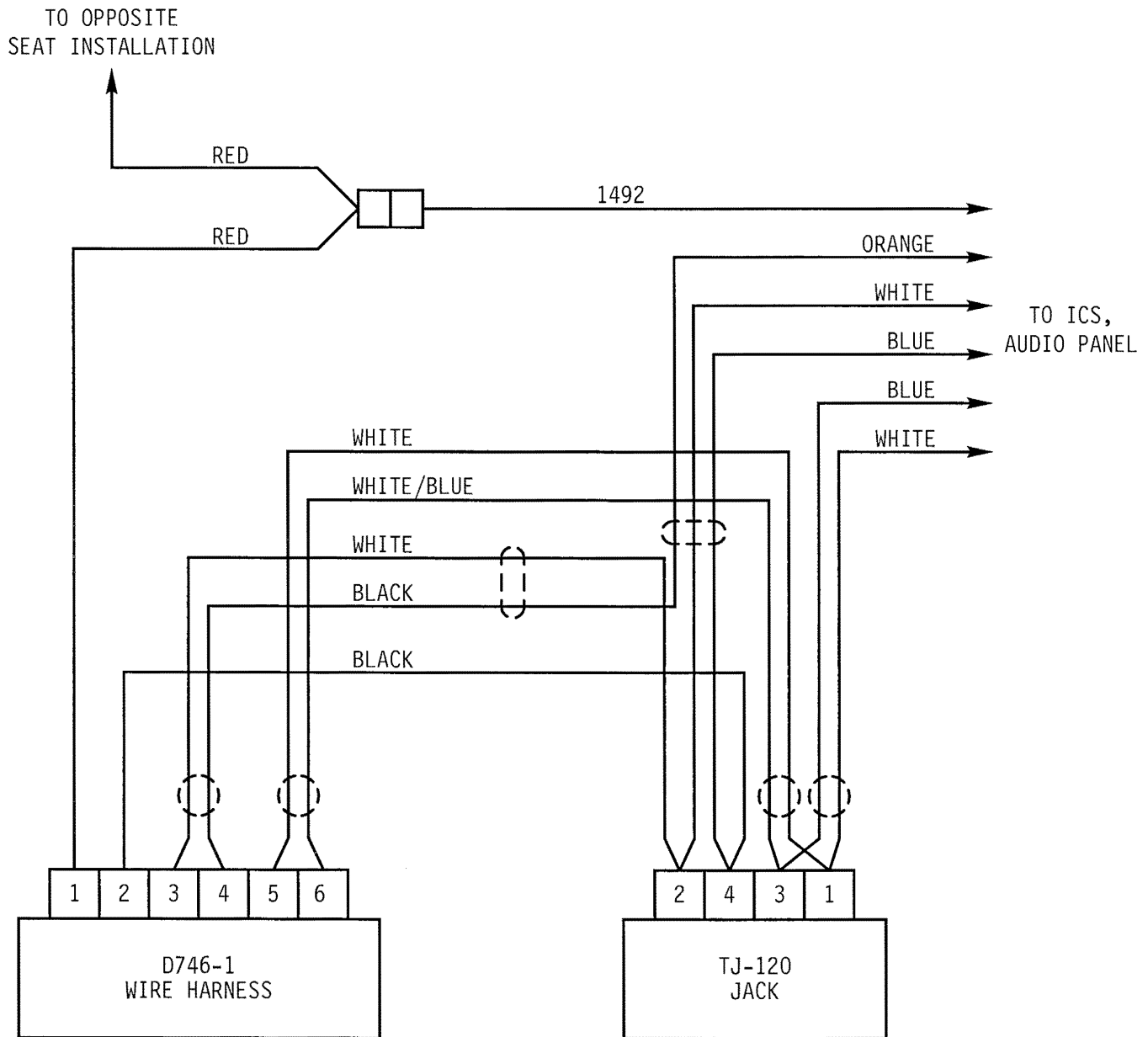


FIGURE 14-2B WIRING SCHEMATIC - BOSE HEADSET

14.600 ELECTRICAL SYSTEM SCHEMATICS (Cont'd)

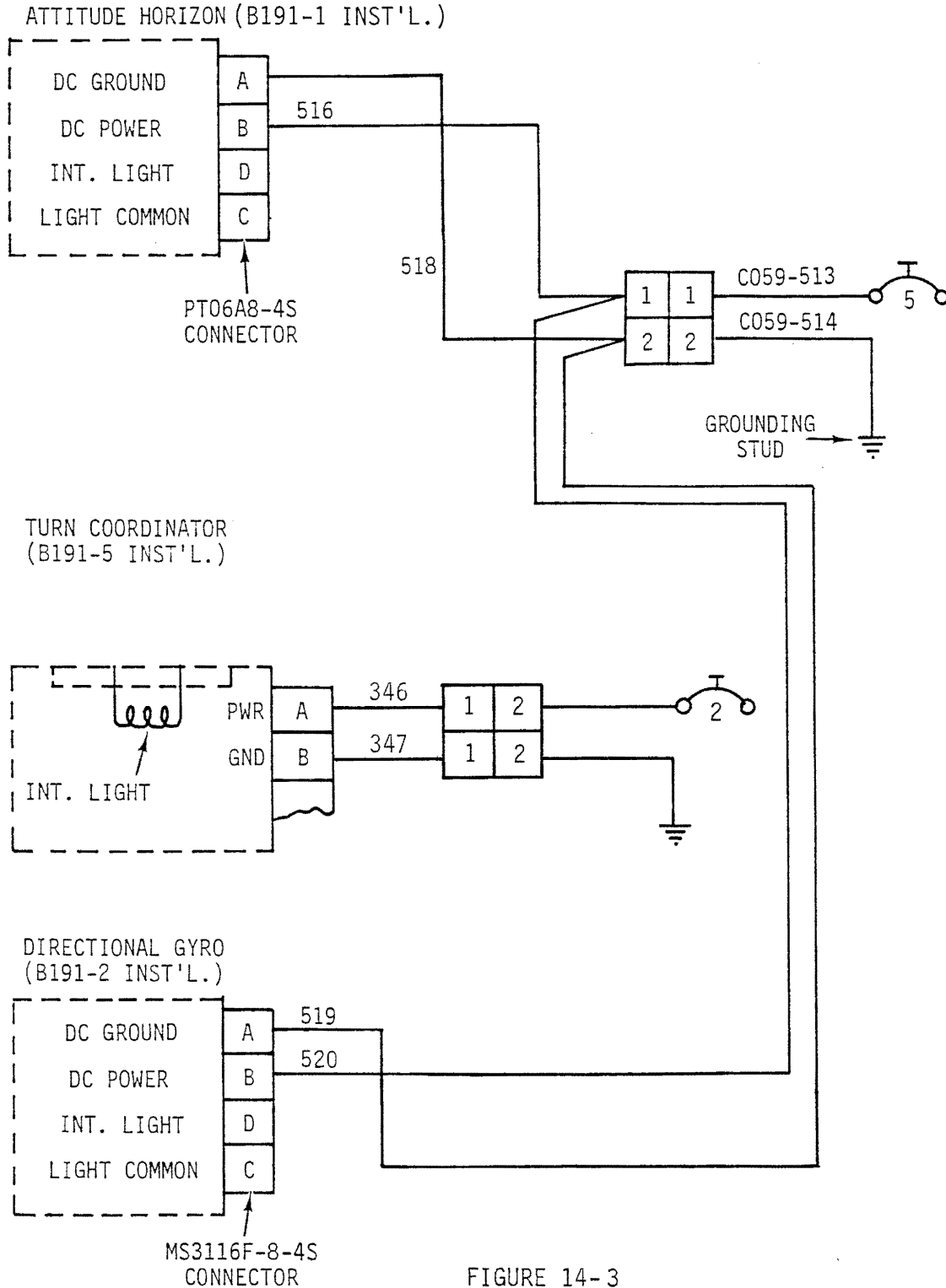
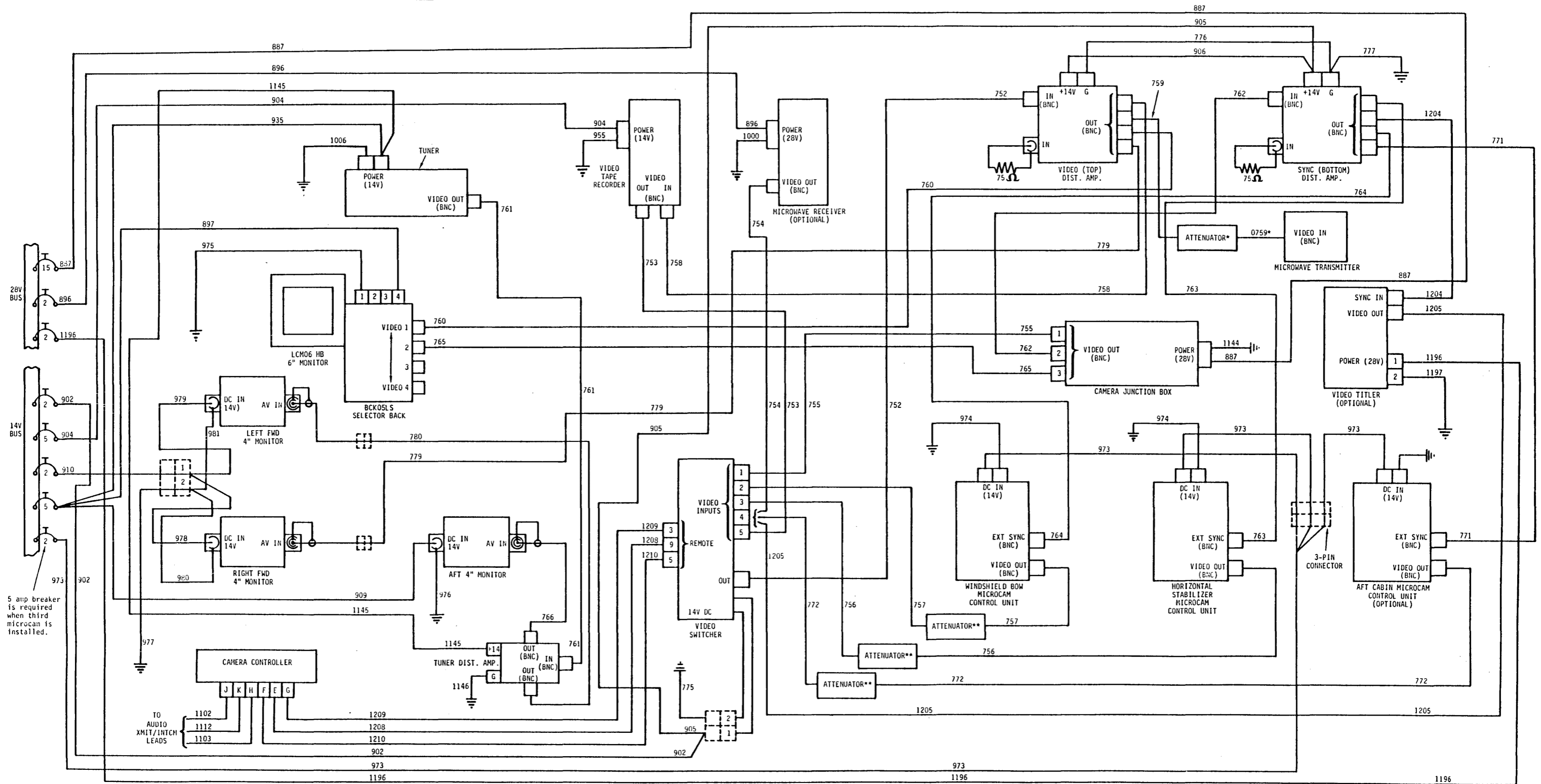


FIGURE 14-3

B191-3 ATTITUDE HORIZON (J.E.T. ELECTRONICS)
 B191-4 DIRECTIONAL GYRO (J.E.T. ELECTRONICS)
 B329-1 TURN COORDINATOR (ELEC. GYRO CORP.)

14.600 ELECTRICAL SYSTEM SCHEMATICS (Cont'd)



5 amp breaker is required when third microcam is installed.

*Installed only if reduced bandwidth is required.
 **31-70019 Coupler may be installed at this location instead.

FIGURE 14-3A
 VIDEO SIGNAL WIRING SCHEMATIC
 (ENG helicopters only)

14.600 ELECTRICAL SYSTEM SCHEMATICS (Cont'd)

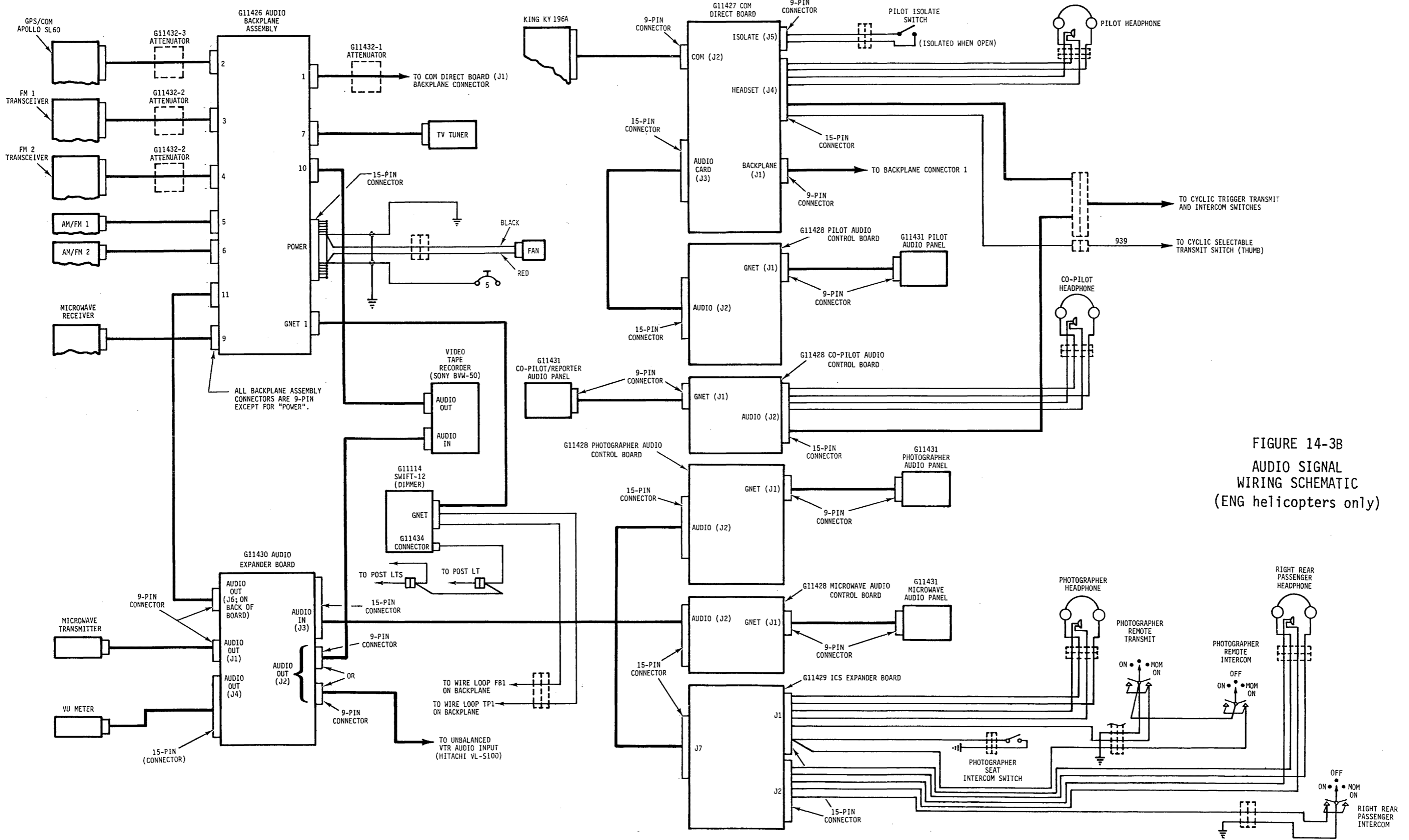


FIGURE 14-3B
AUDIO SIGNAL
WIRING SCHEMATIC
(ENG helicopters only)

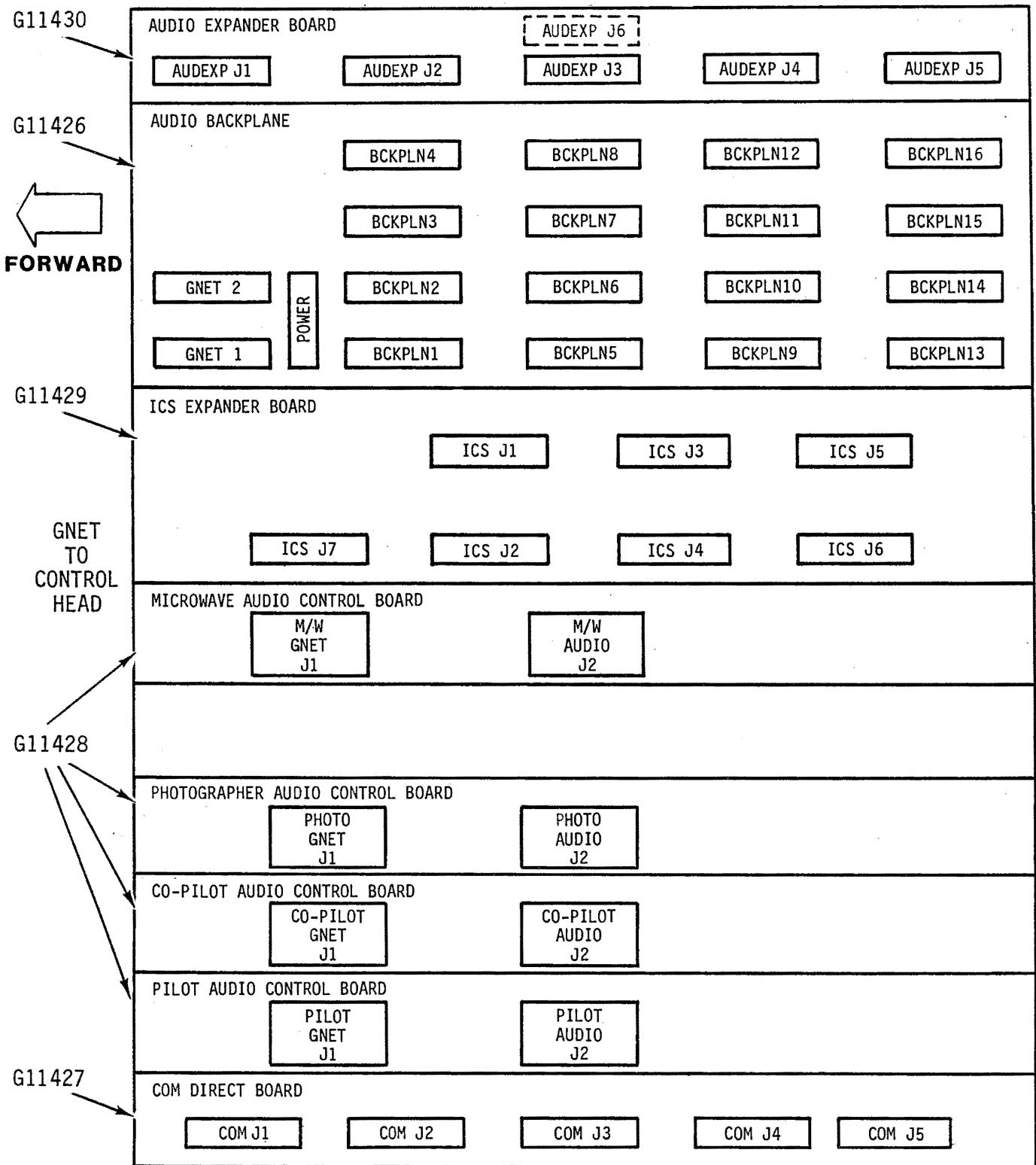
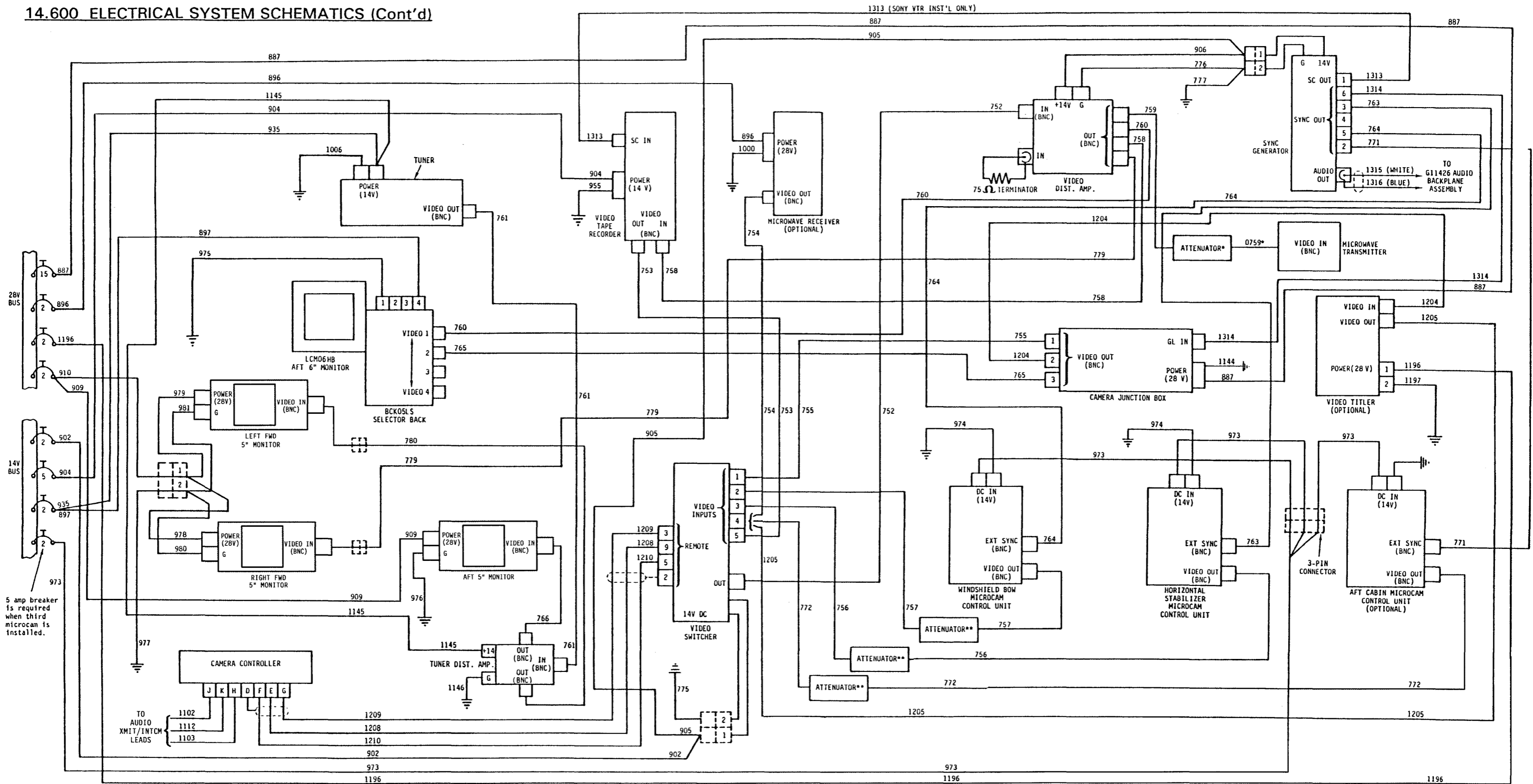


FIGURE 14-3C
 GENEVA BOX AUDIO SIGNAL WIRING
 CONNECTOR DIAGRAM
 (Located beneath forward LH seat, view looking down)

This page intentionally left blank.

14.600 ELECTRICAL SYSTEM SCHEMATICS (Cont'd)



5 amp breaker is required when third microcam is installed.

*Installed only if reduced bandwidth is required.

**31-70019 Coupler may be installed at this location instead.

FIGURE 14-3D VIDEO SIGNAL WIRING SCHEMATIC (ENG helicopters only, ship S/N 469 and on with five-inch monitors. S/N 475 and on have Sync Generator instead of two Video Distribution Amps.)

14.600 ELECTRICAL SYSTEM SCHEMATICS (Cont'd)

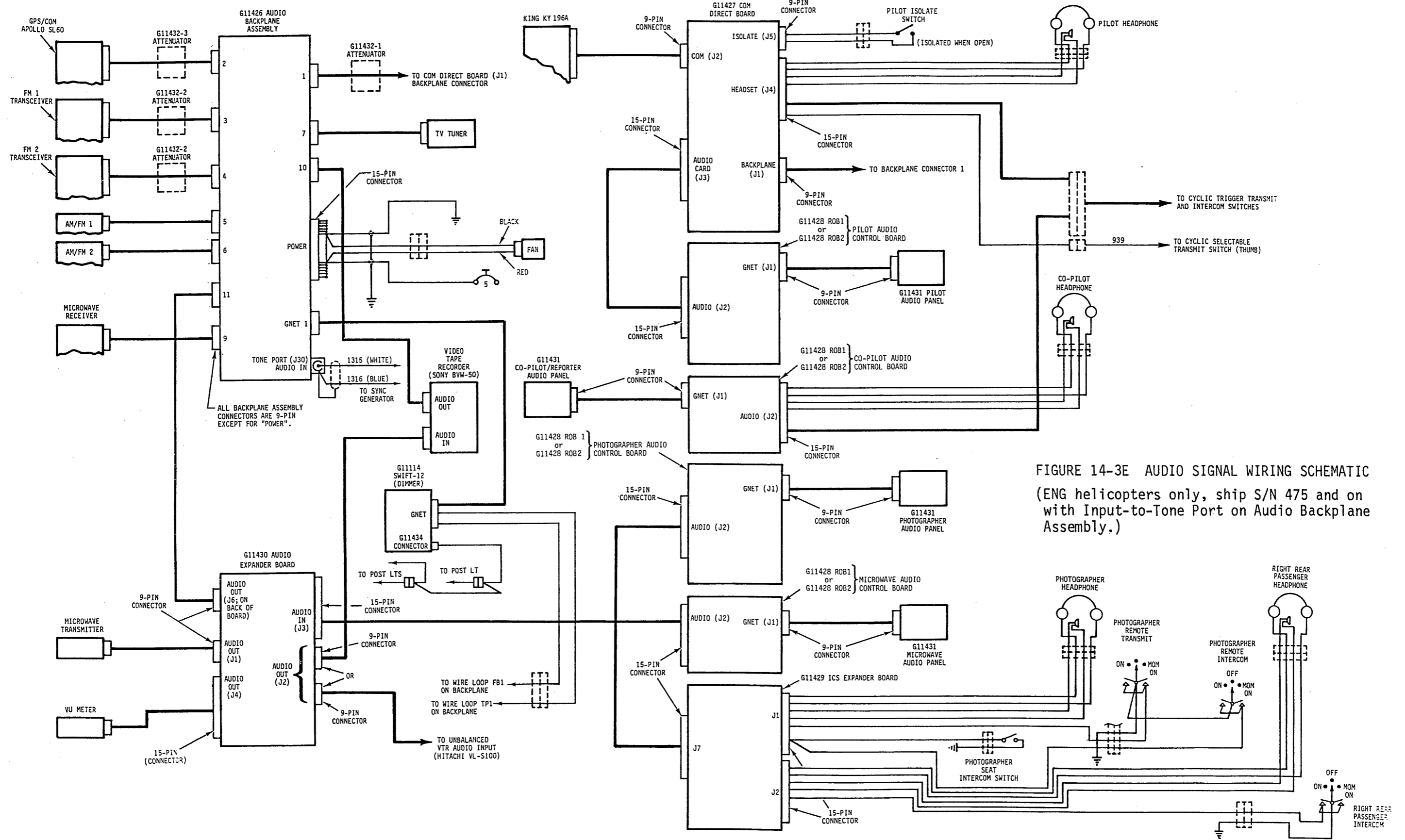
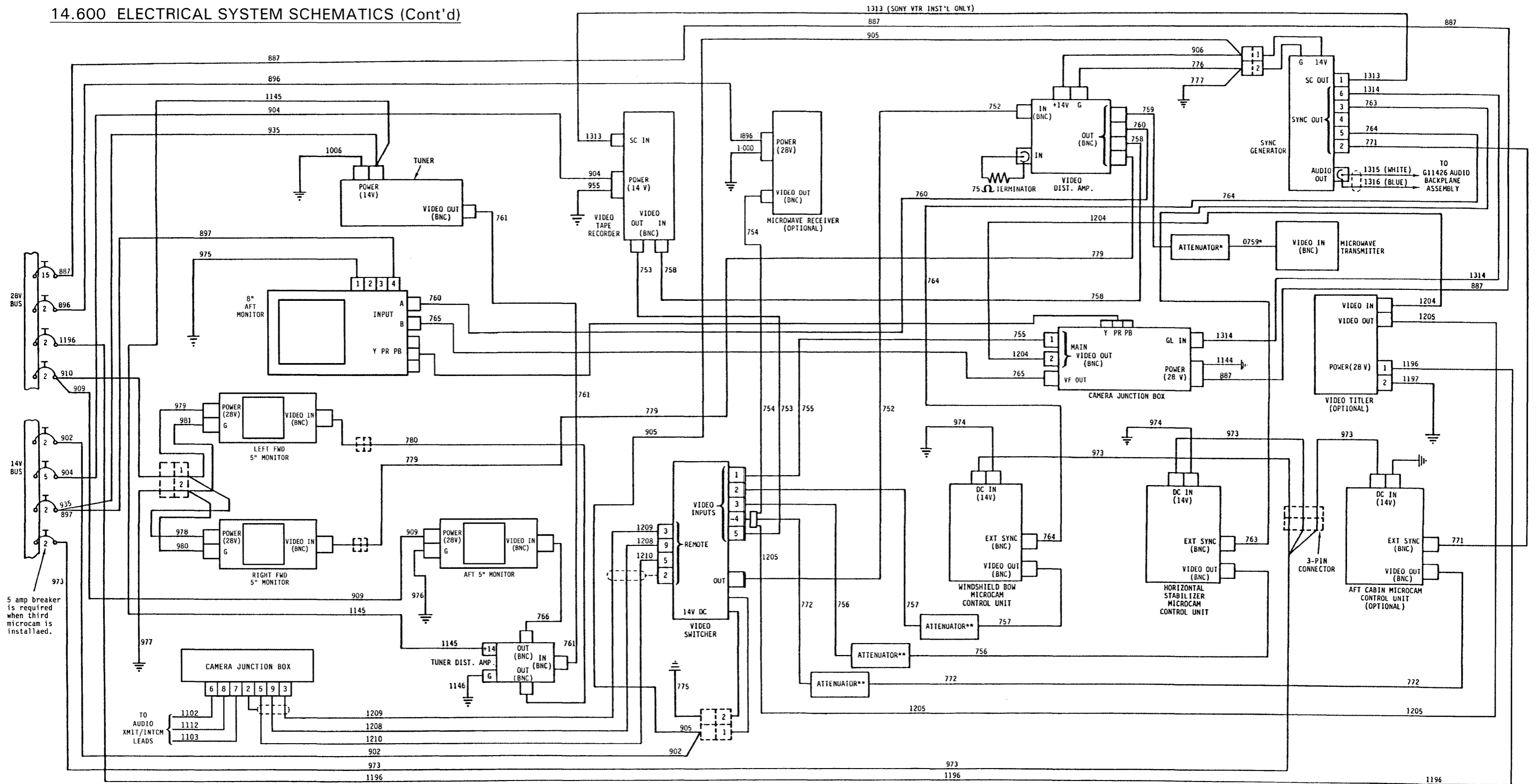


FIGURE 14-3E AUDIO SIGNAL WIRING SCHEMATIC (ENG helicopters only, ship S/N 475 and on with Input-to-Tone Port on Audio Backplane Assembly.)

14.600 ELECTRICAL SYSTEM SCHEMATICS (Cont'd)



5 amp breaker is required when third microcam is installed.

*Installed only if reduced bandwidth is required.

**31-70019 Coupler may be installed at this location instead.

FIGURE 14-3D VIDEO SIGNAL WIRING SCHEMATIC (ENG helicopters only, ship S/N 10016 and on)

14.600 ELECTRICAL SYSTEM SCHEMATICS (Cont'd)

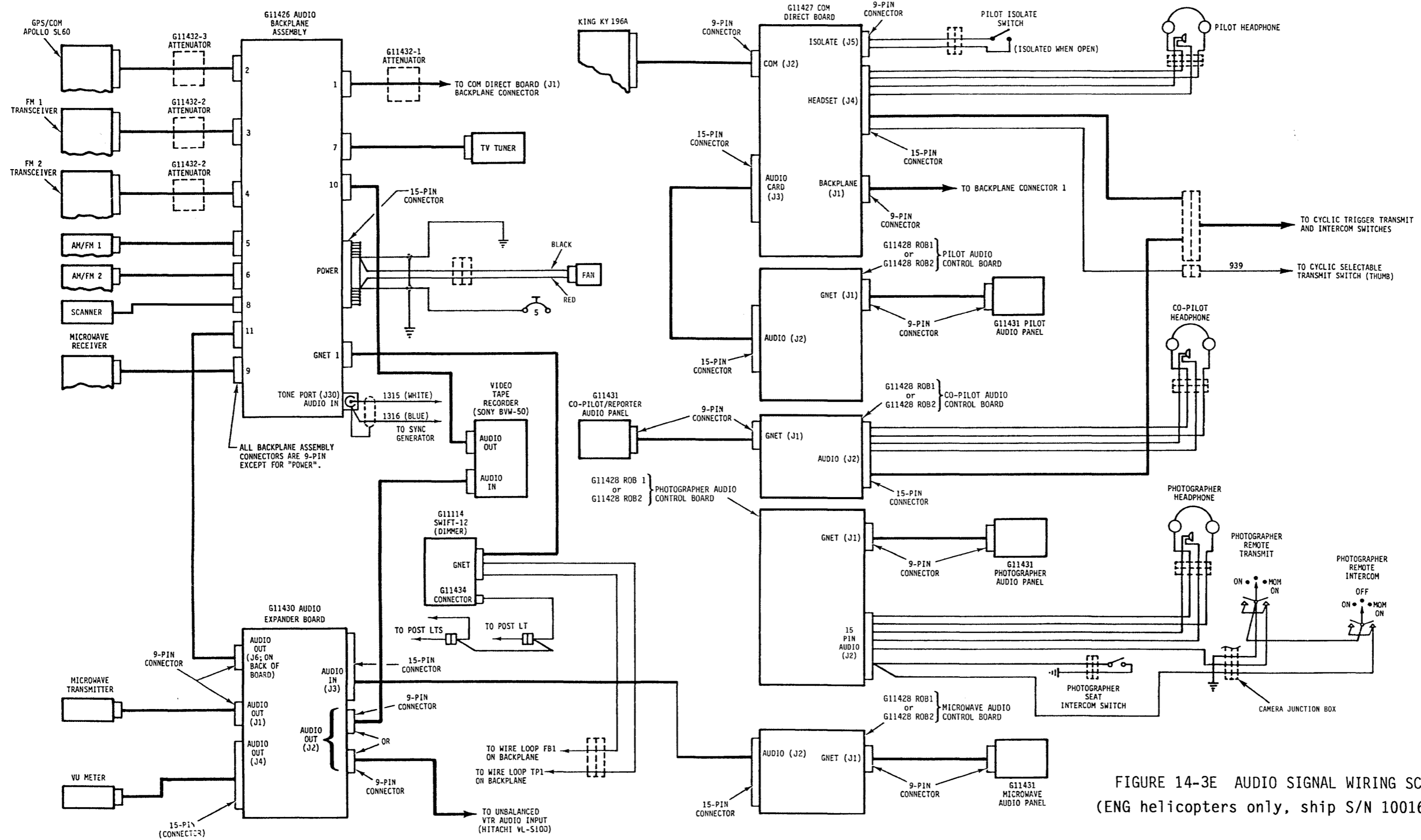
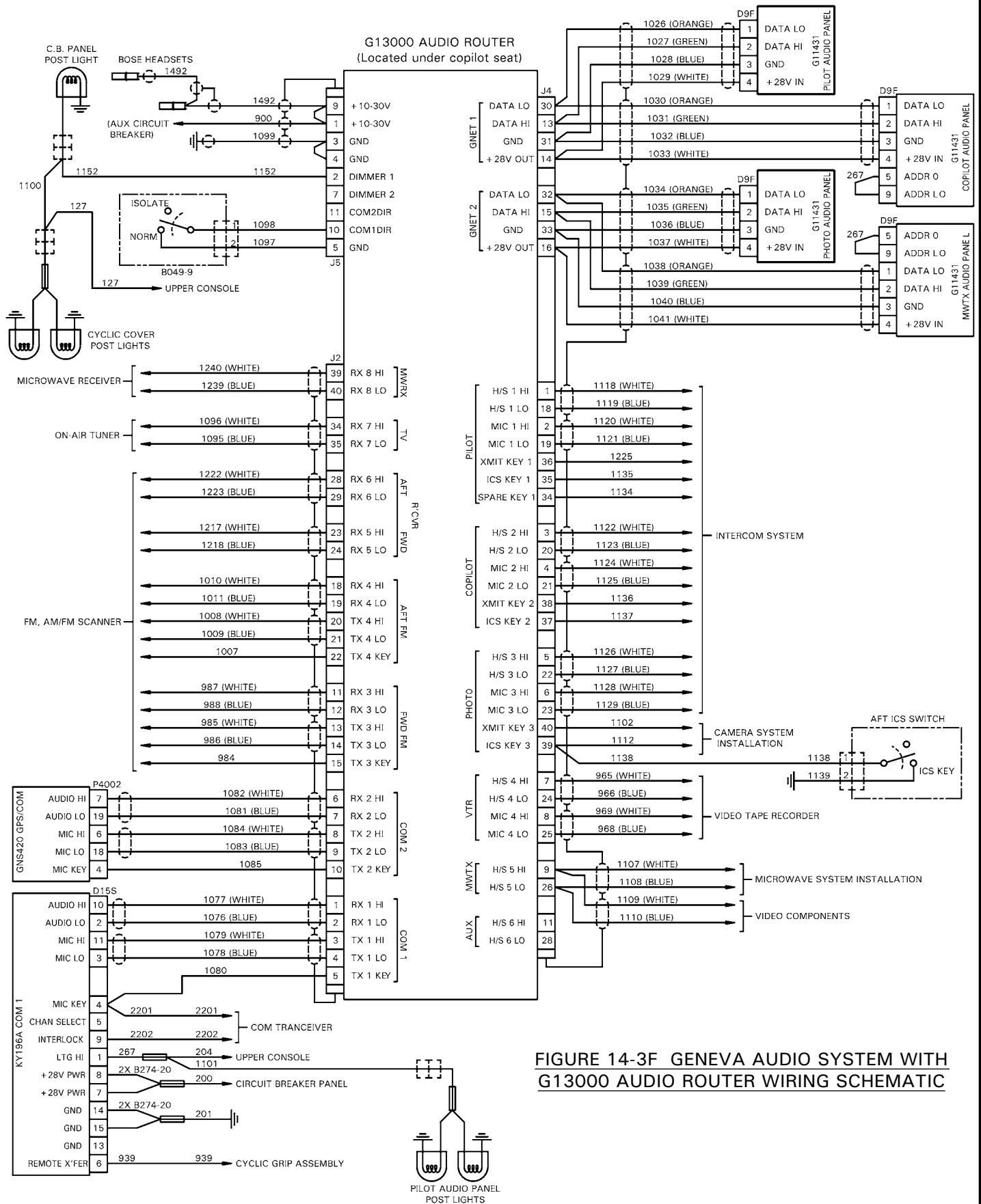


FIGURE 14-3E AUDIO SIGNAL WIRING SCHEMATIC (ENG helicopters only, ship S/N 10016 and on)



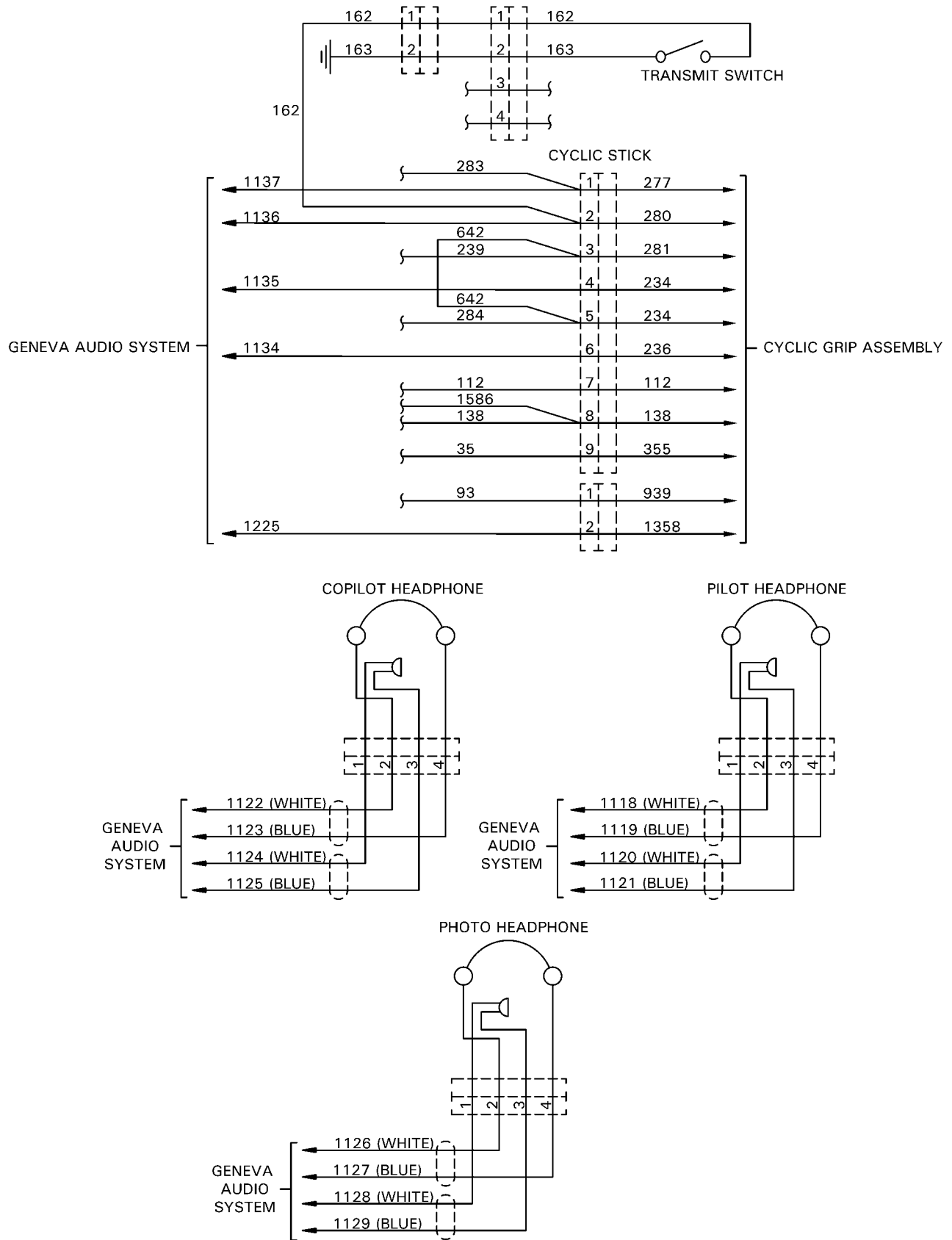


FIGURE 14-3G INTERCOM SYSTEM WIRING SCHEMATIC FOR E.N.G. HELICOPTERS WITH G13000 AUDIO ROUTER GENEVA AUDIO SYSTEM

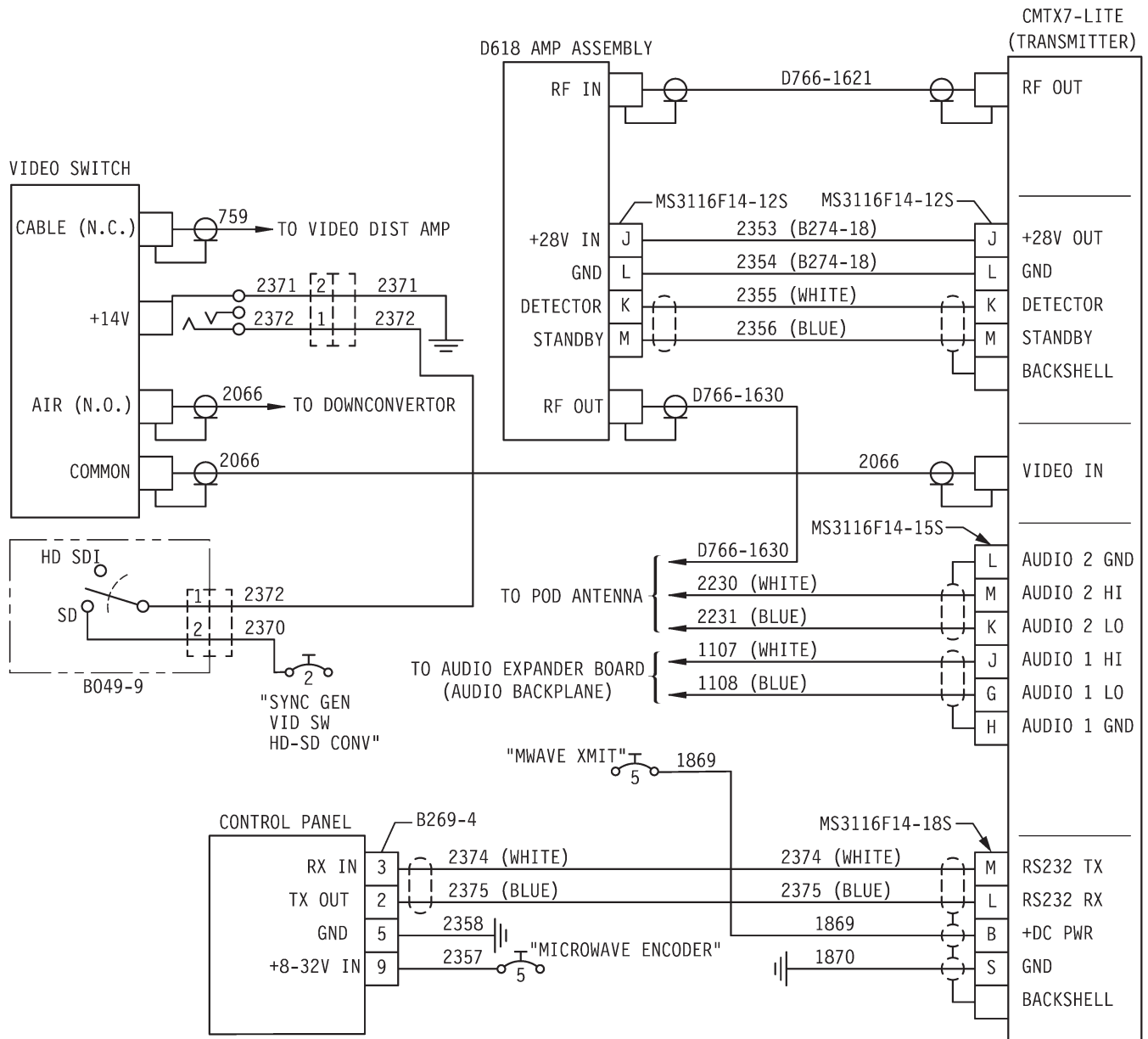


FIGURE 14-3H D056-1 MICROWAVE SYSTEM INSTALLATION

Intentionally Blank

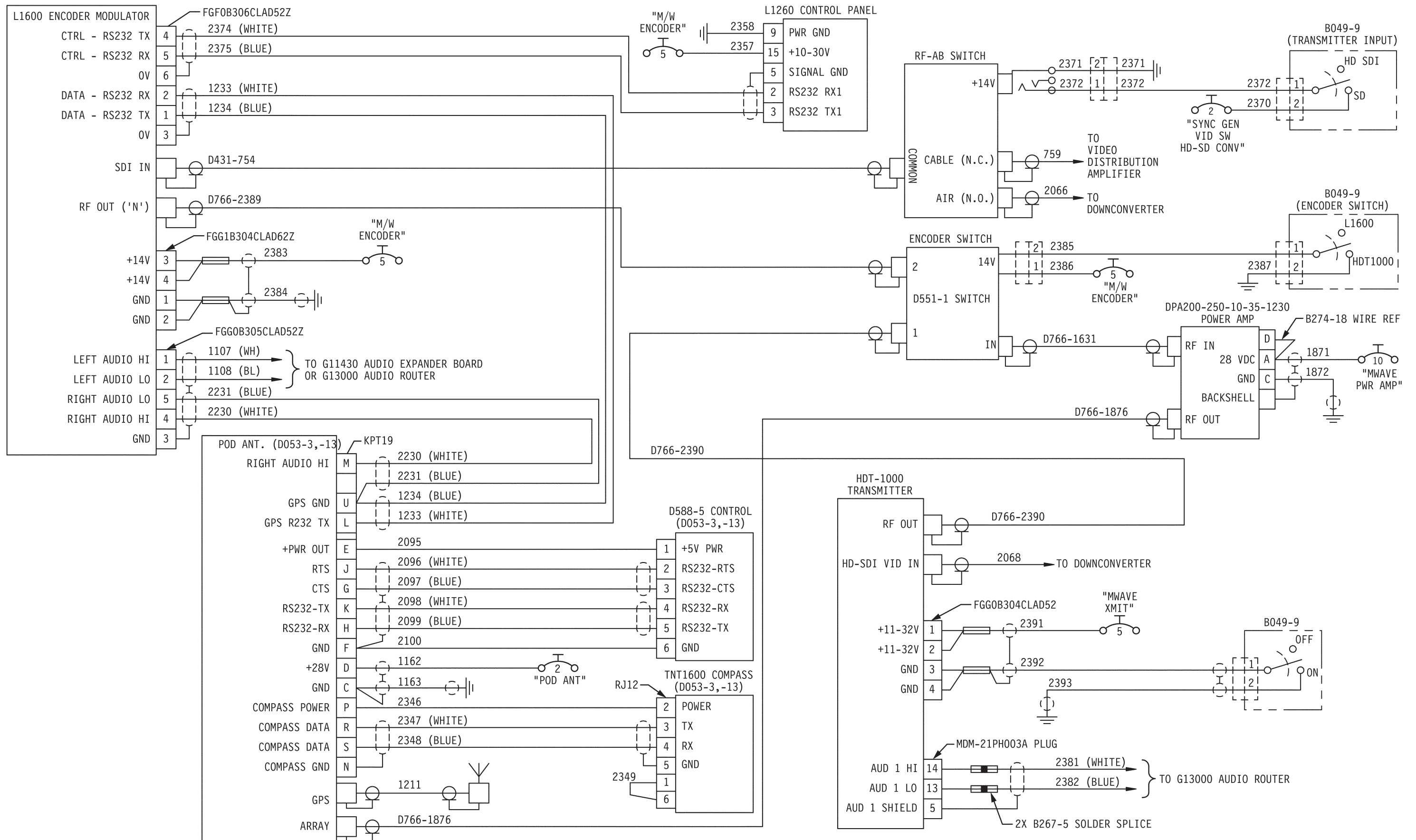


FIGURE 14-31 D056-2 MICROWAVE SYSTEM INSTALLATION

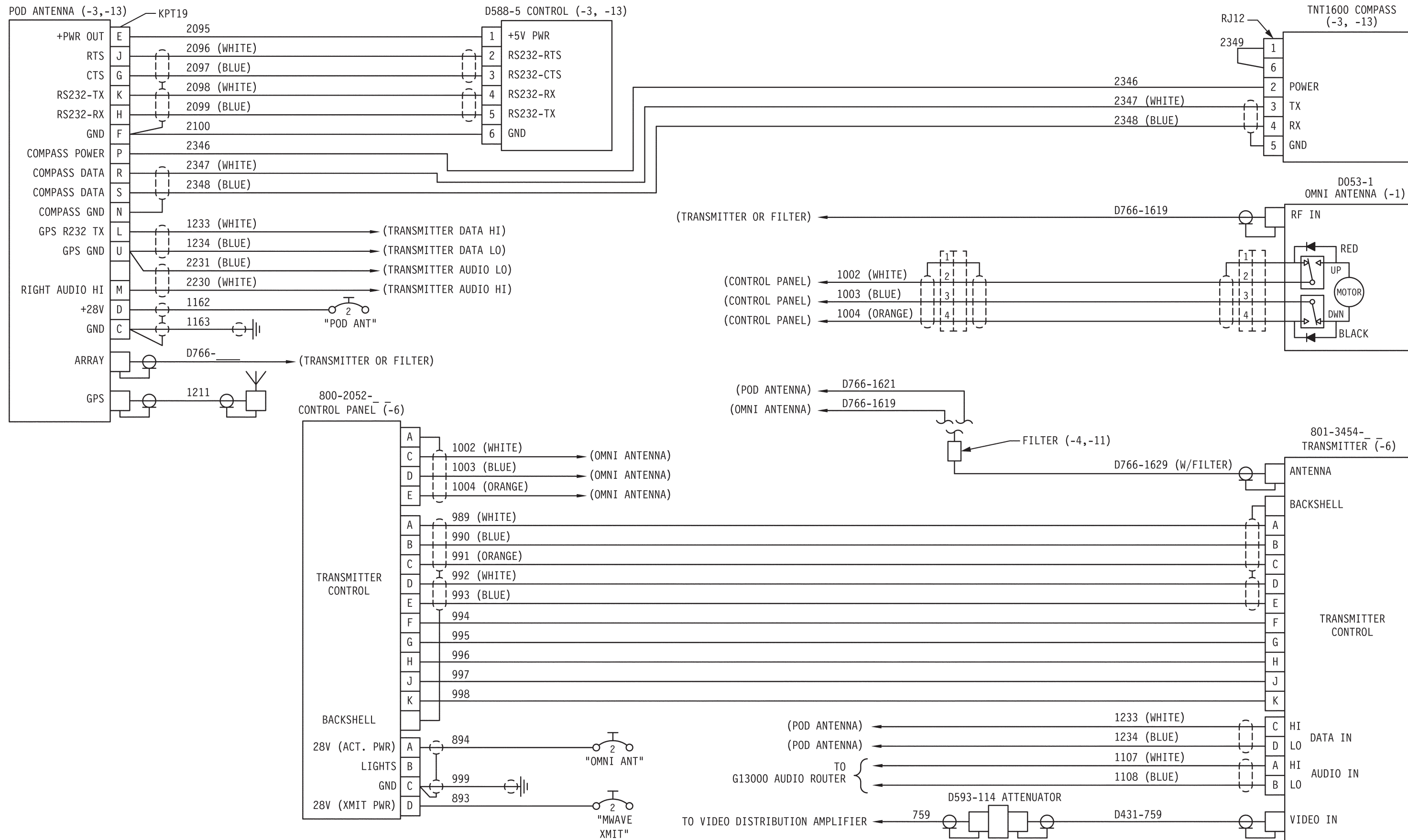


FIGURE 14-3J D053-1, -3, -4, -5, -6, & -11 MICROWAVE SYSTEM INSTALLATION

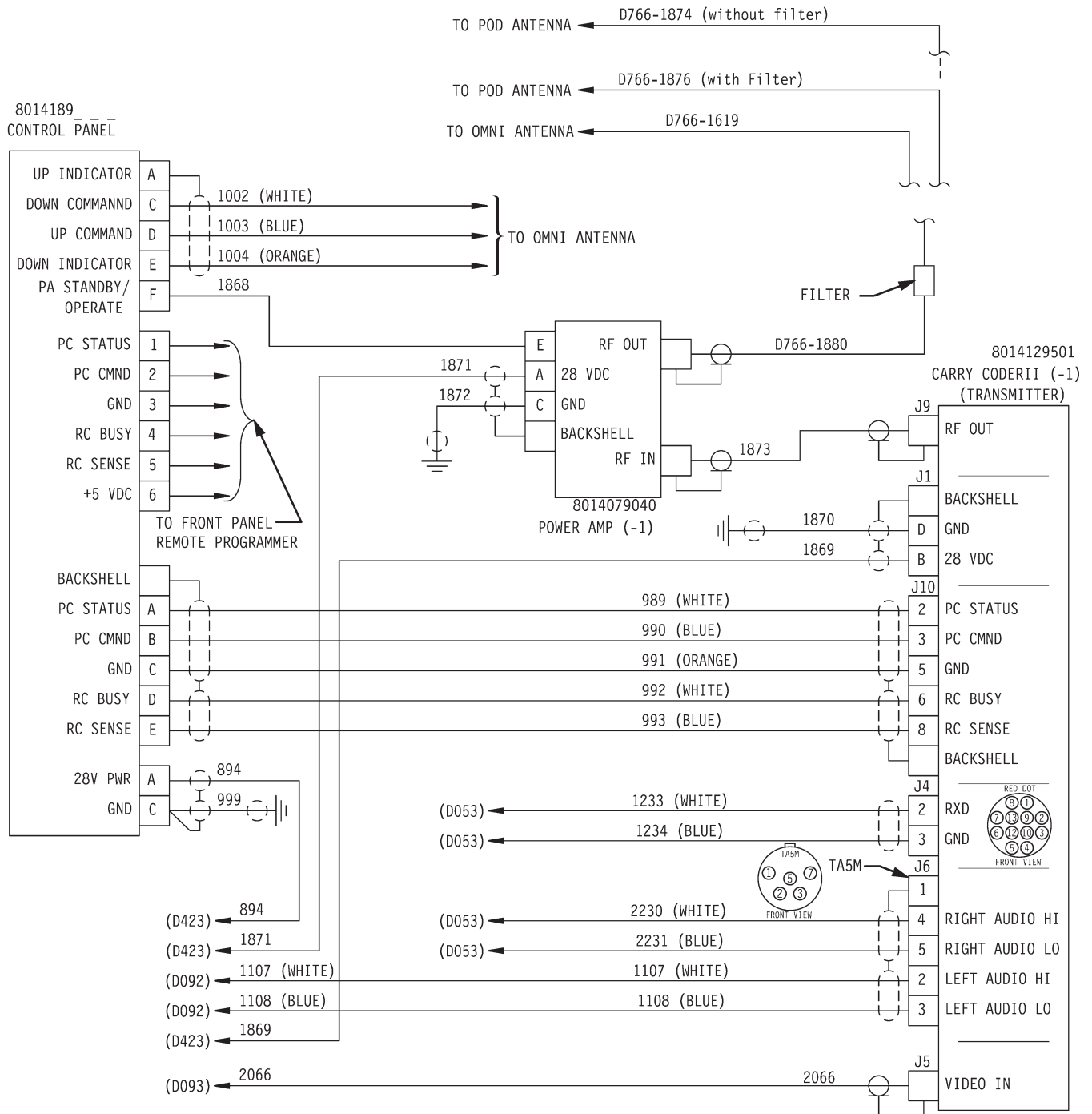


FIGURE 14-3K D055 DIGITAL MICROWAVE SYSTEM INSTALLATION

Intentionally Blank

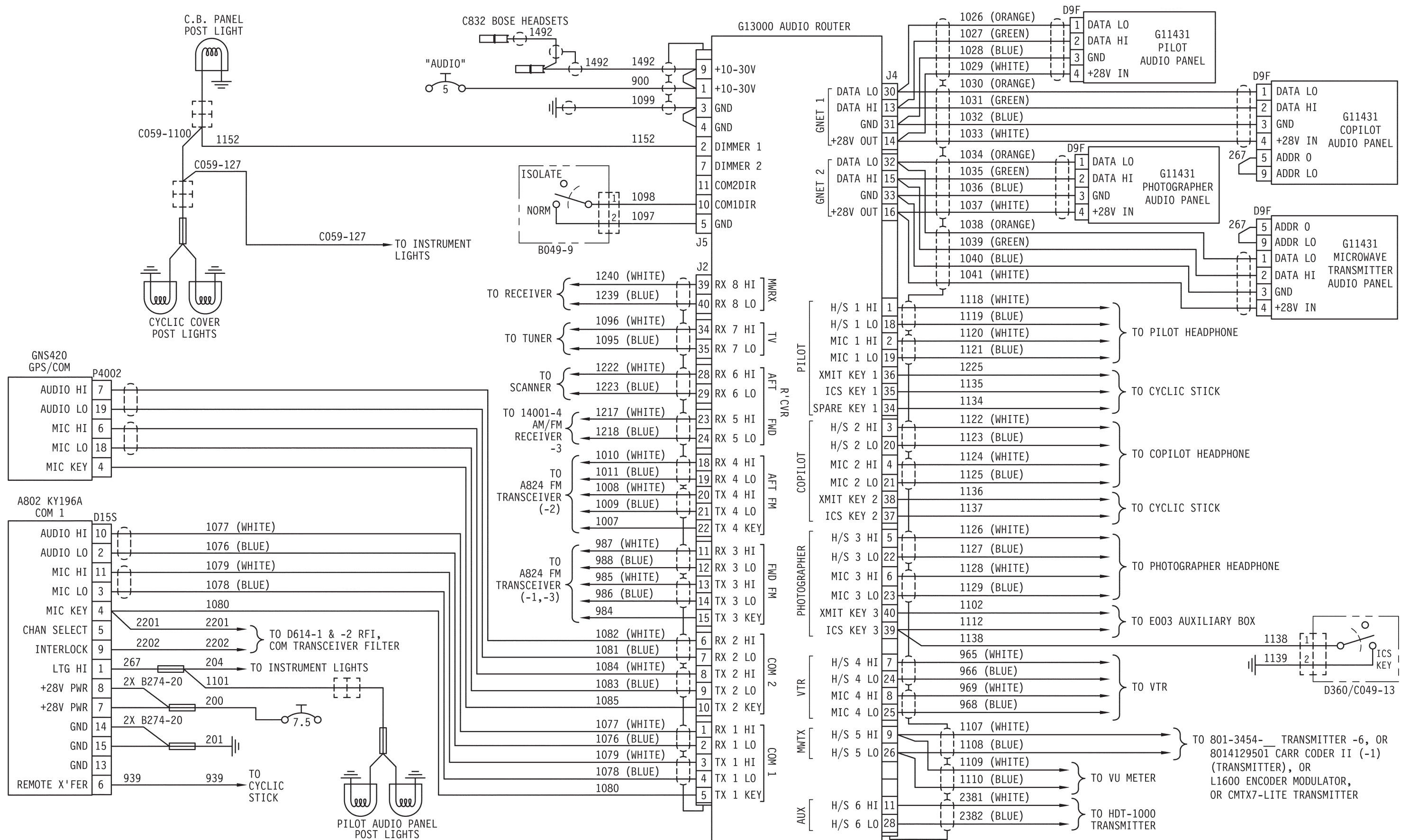


FIGURE 14-3L D092-6 GENEVA AUDIO SYSTEM INSTALLATION

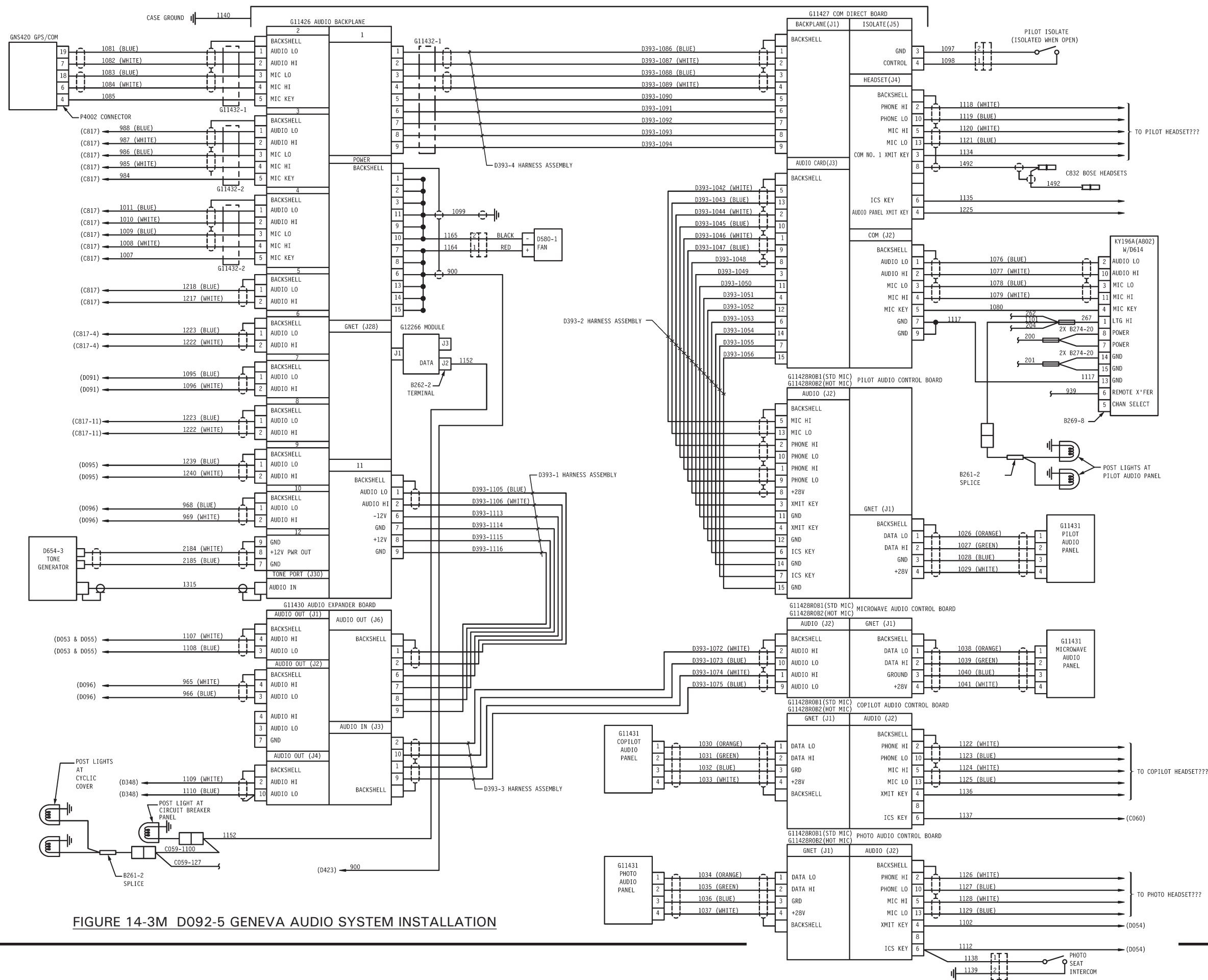


FIGURE 14-3M D092-5 GENEVA AUDIO SYSTEM INSTALLATION

14.700 [Reserved.]

|

Intentionally Blank

Intentionally Blank

Intentionally Blank

14.800 Antenna Locations

Antenna Locations information has been moved to § 16-70.

Intentionally Blank

14.900 AVIONICS SCHEMATICS

The basic communications wiring common to all the Com. radio configurations include a N.A.T. Intercom System that provides a voice-activated intercom and Pilot and Co-Pilot cyclic stick switches. In addition, an intercom switch at each of the 2 rear seats can also activate the intercom.

The pilot's and co-pilots individual headphone jacks are mounted to the ceiling and a little behind their respective heads. The rear passenger headphone jacks are contained in a com box centered at the rear most portion of the cabin ceiling. The pilot can use the Pilot "Isolate" switch which will remove him from the Intercom bus; he can then communicate over the com radio without disturbances.

14.900 AVIONICS SCHEMATICS (Cont'd)

This page intentionally left blank.

14.900 AVIONICS SCHEMATICS (Cont'd)

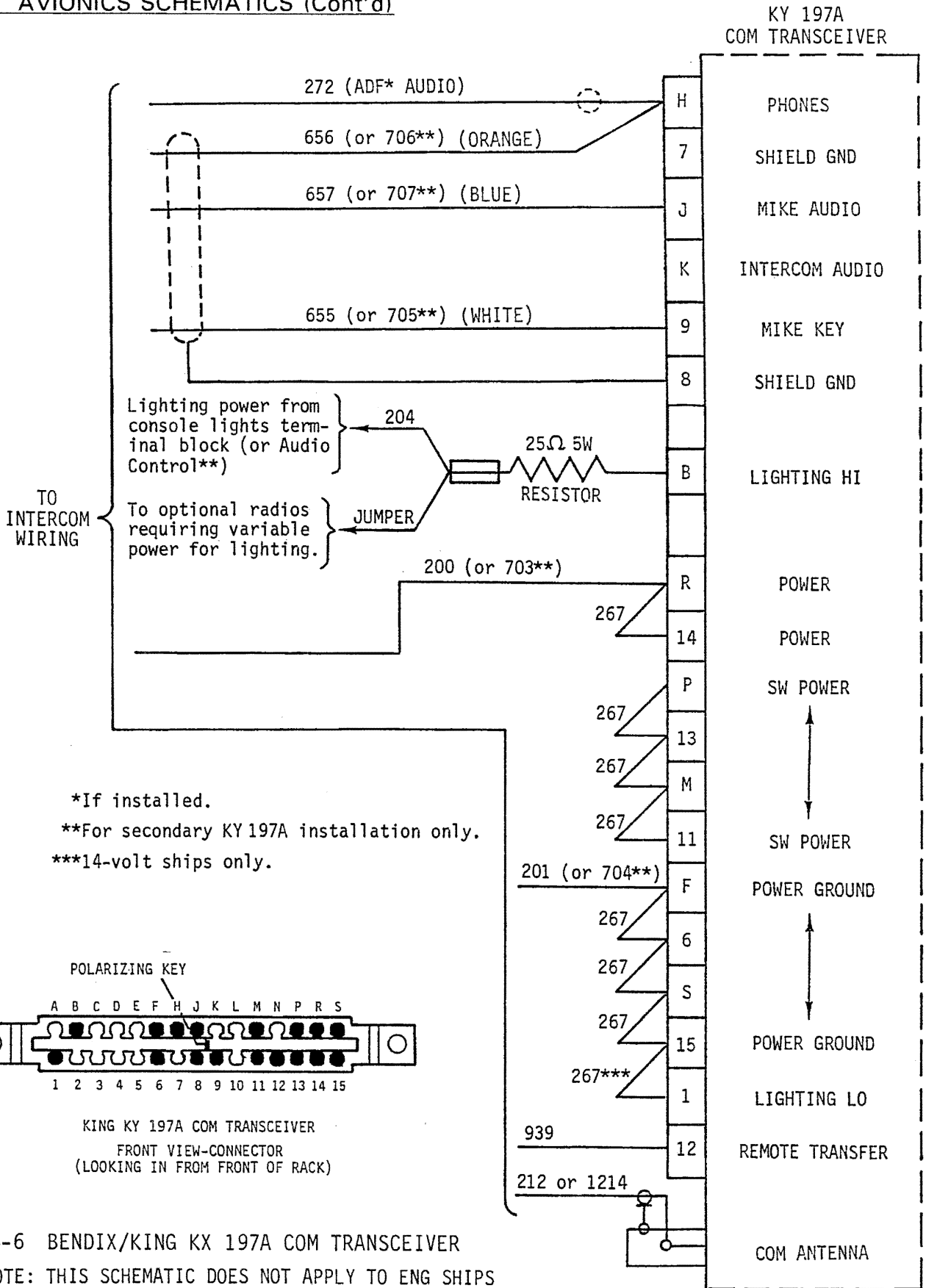


FIGURE 14-6 BENDIX/KING KX 197A COM TRANSCEIVER
 NOTE: THIS SCHEMATIC DOES NOT APPLY TO ENG SHIPS WITH GENEVA AUDIO SYSTEM.

14.900 AVIONICS SCHEMATICS (Cont'd)

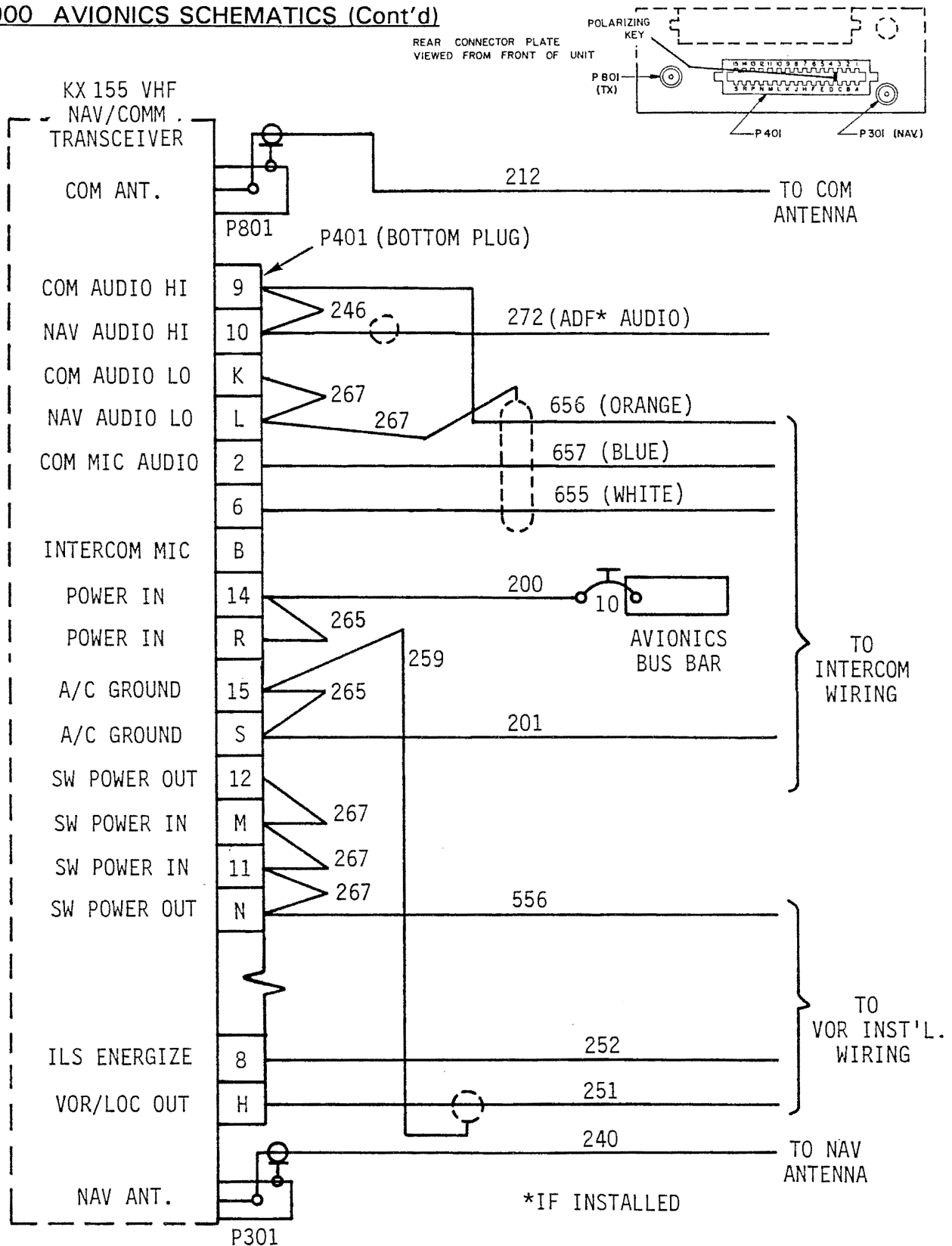


FIGURE 14-7 BENDIX/KING KX 155 VHF NAV/COMM TRANSCEIVER

14.900 AVIONICS SCHEMATICS (Cont'd)

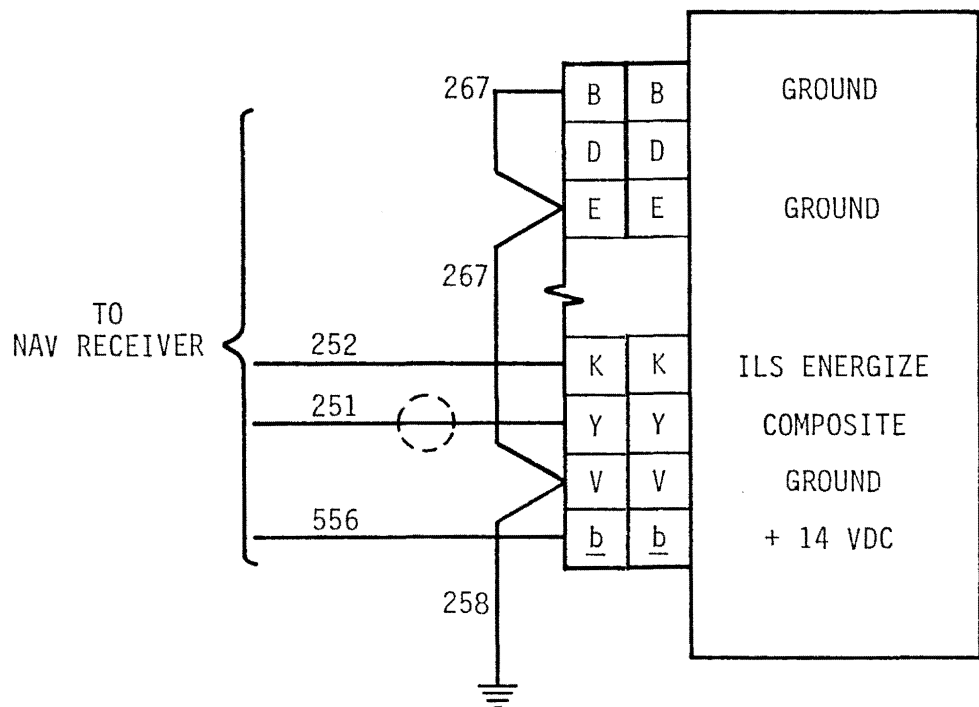


FIGURE 14-8 BENDIX/KING KI 203 VOR INDICATOR

14.900 AVIONICS SCHEMATICS (Cont'd)

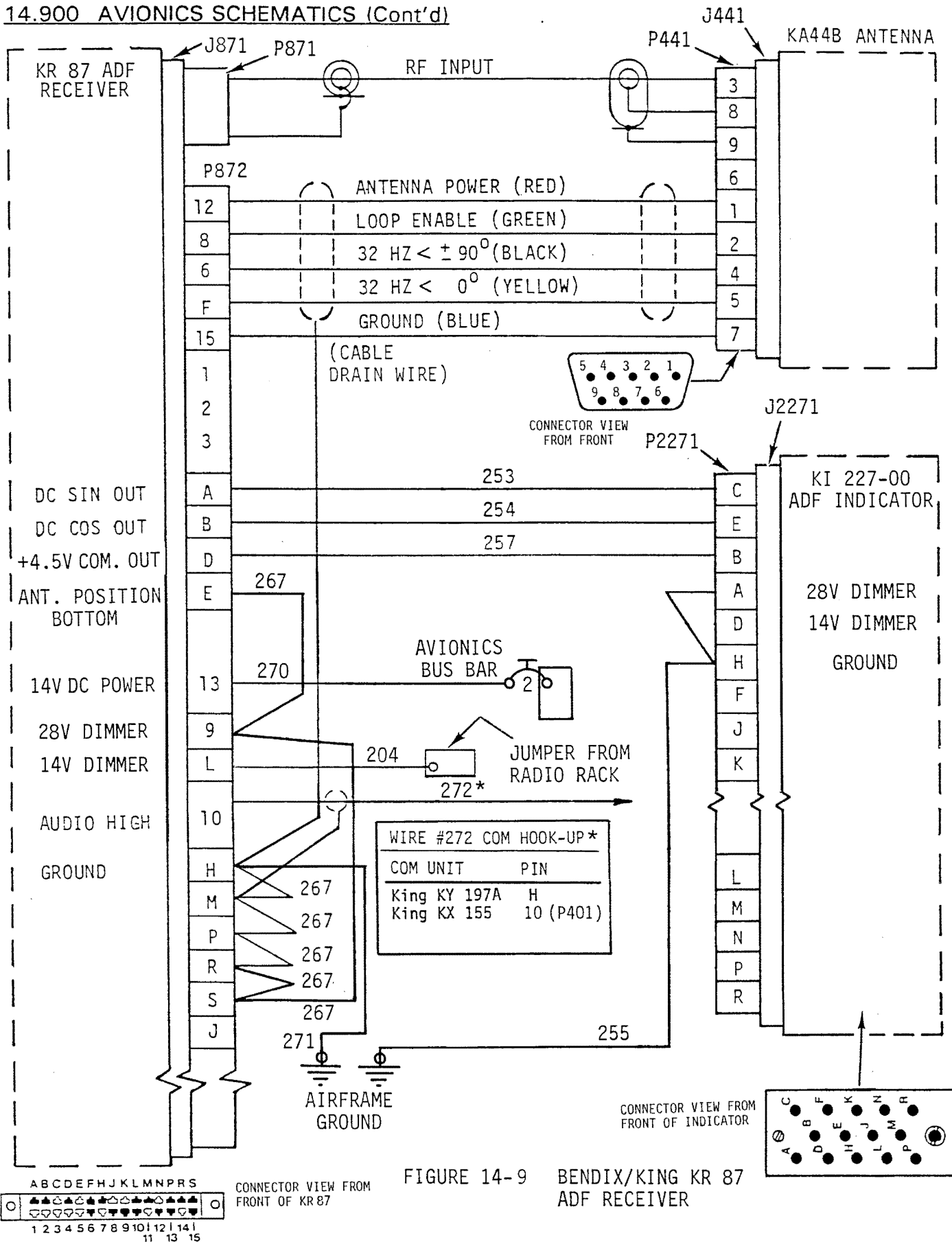
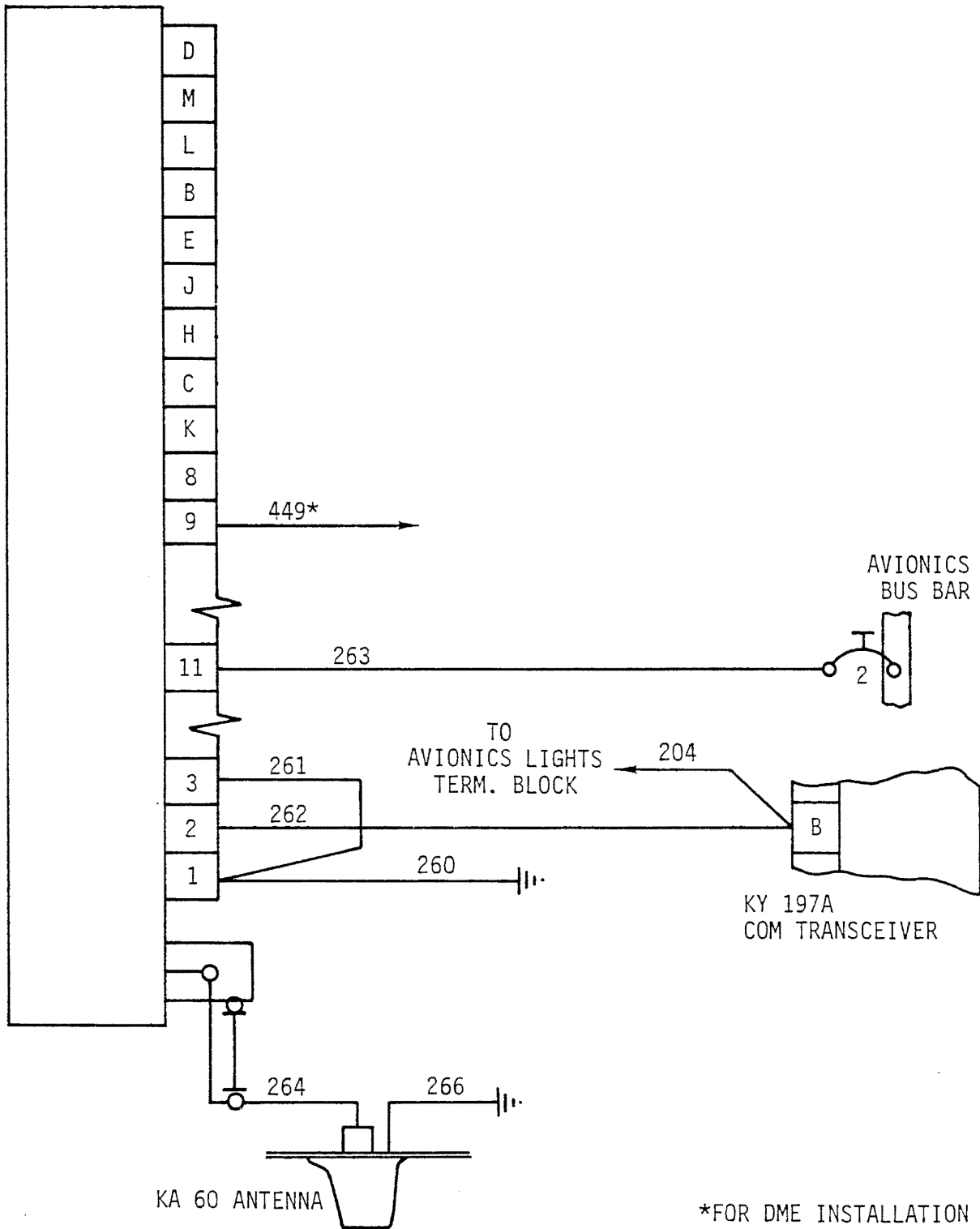


FIGURE 14-9 BENDIX/KING KR 87 ADF RECEIVER

14.900 AVIONICS SCHEMATICS (Cont'd)

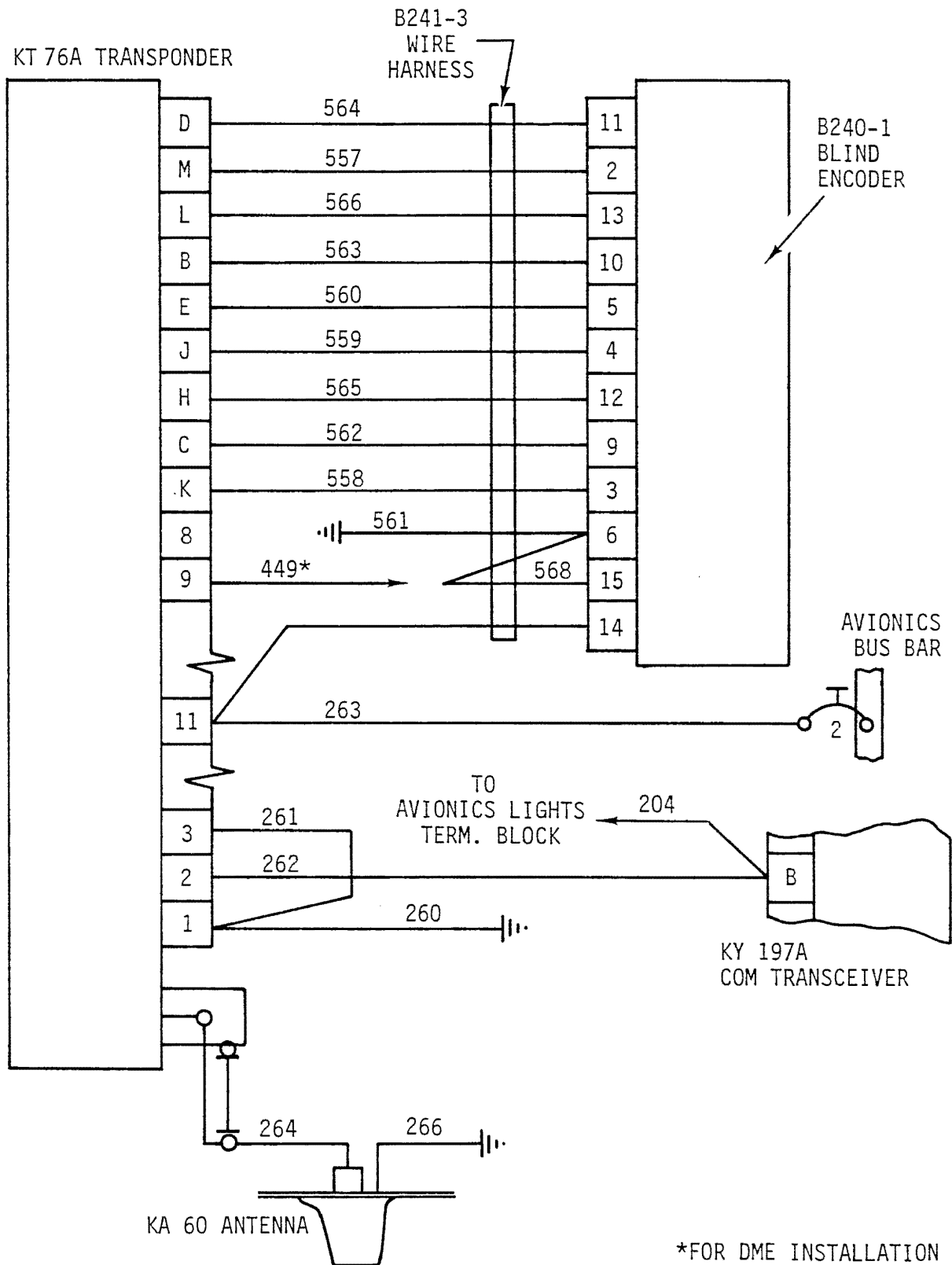
KT 76A TRANSPONDER



*FOR DME INSTALLATION ONLY. CONNECT TO PIN "K" OF KN 63 DME.

FIGURE 14-10 BENDIX/KING KT 76A TRANSPONDER

14.900 AVIONICS SCHEMATICS (Cont'd)



*FOR DME INSTALLATION ONLY. CONNECT TO PIN "K" OF KN 63 DME.

FIGURE 14-11 BENDIX/KING KT 76A TRANSPONDER WITH BLIND ENCODER

14.900 AVIONICS SCHEMATICS (Cont'd)

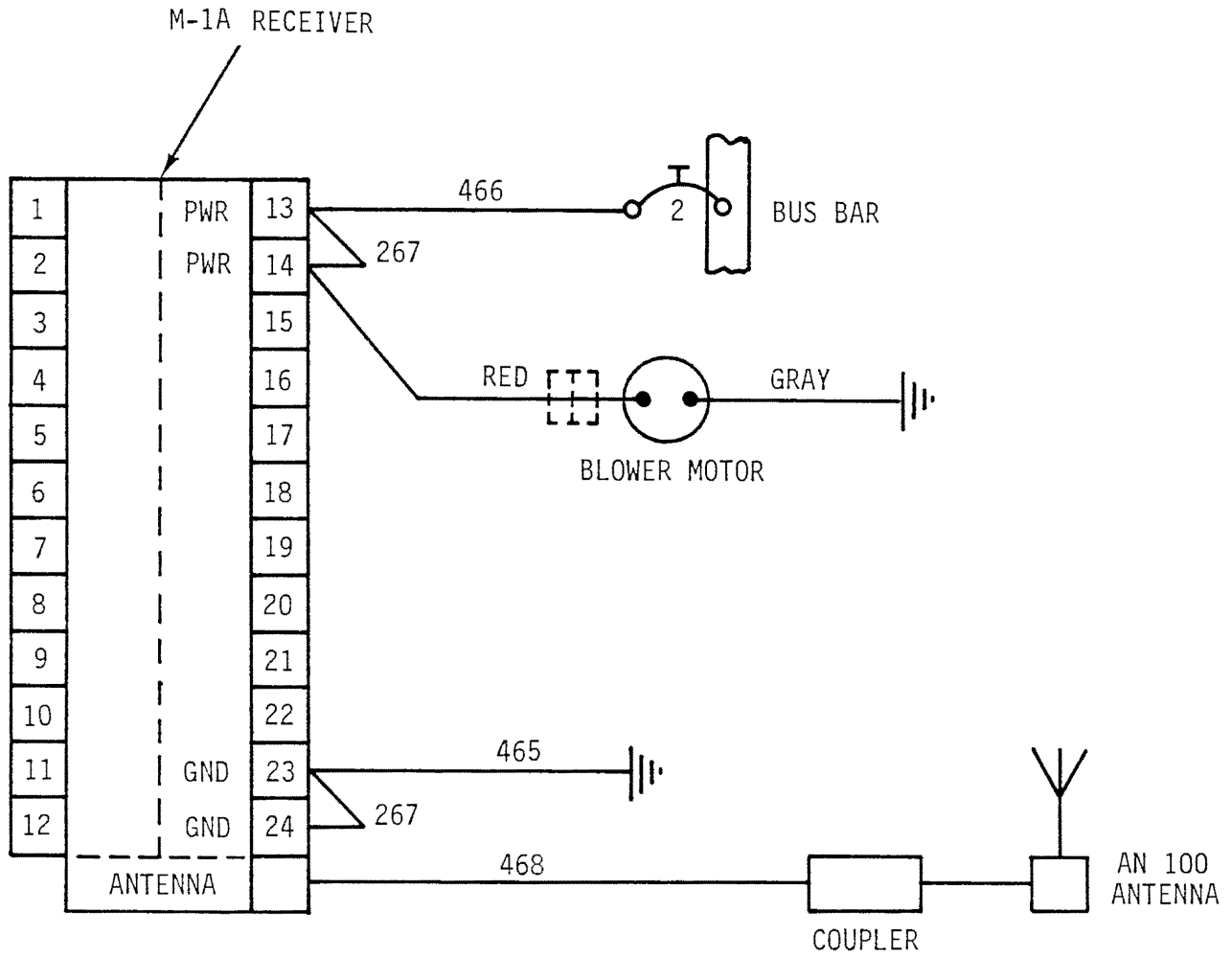


FIGURE 14-12 NORTHSTAR M-1A LORAN C RECEIVER

14.900 AVIONICS SCHEMATICS (Cont'd)

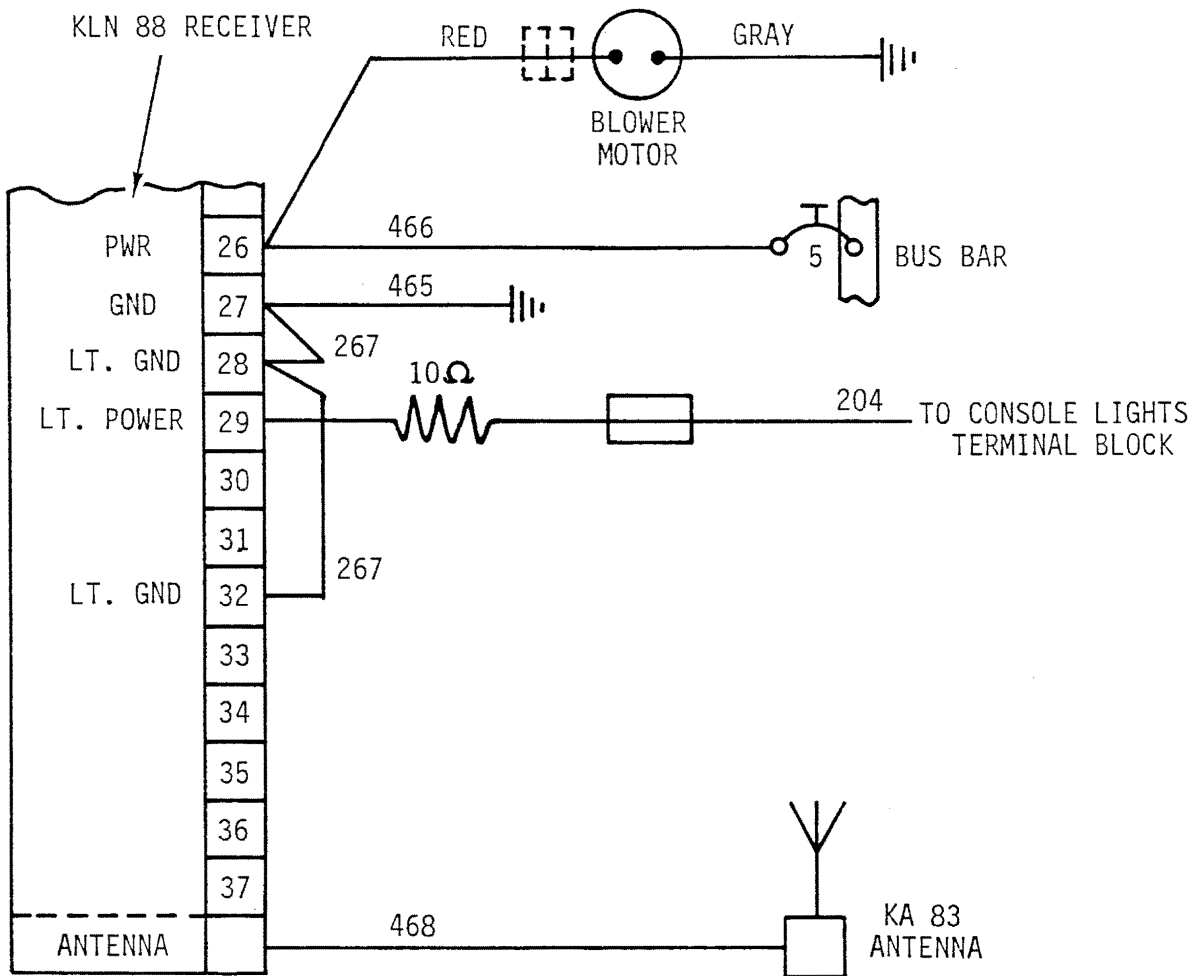


FIGURE 14-13 BENDIX/KING KLN 88 LORAN C RECEIVER

14.900 AVIONICS SCHEMATICS (Cont'd)

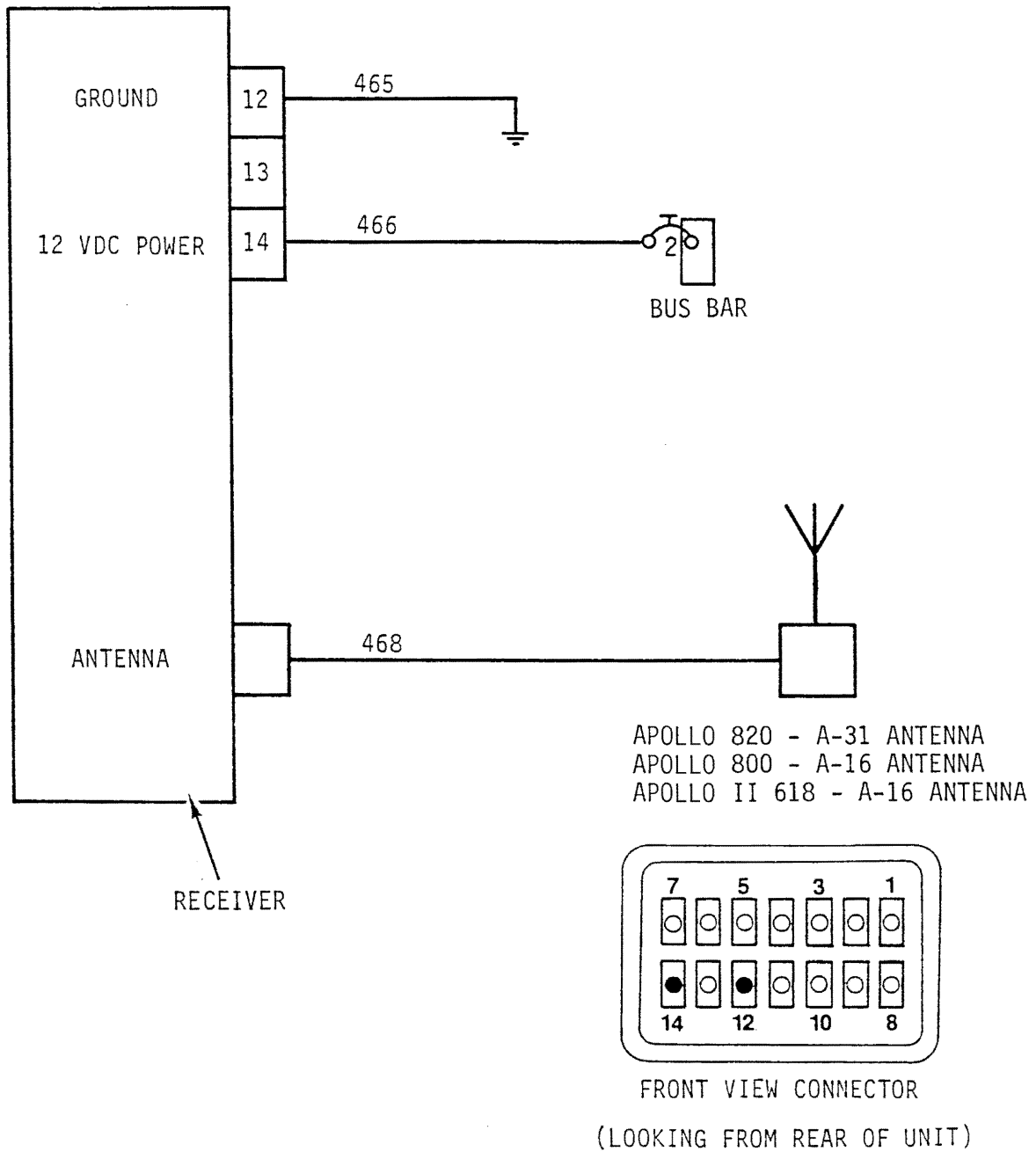


FIGURE 14- 14

APOLLO 820 FLYBUDDY GPS RECEIVER
 APOLLO 800 FLYBUDDY PLUS LORAN C RECEIVER
 APOLLO 618 TCA LORAN C RECEIVER

14.900 AVIONICS SCHEMATICS (Cont'd)

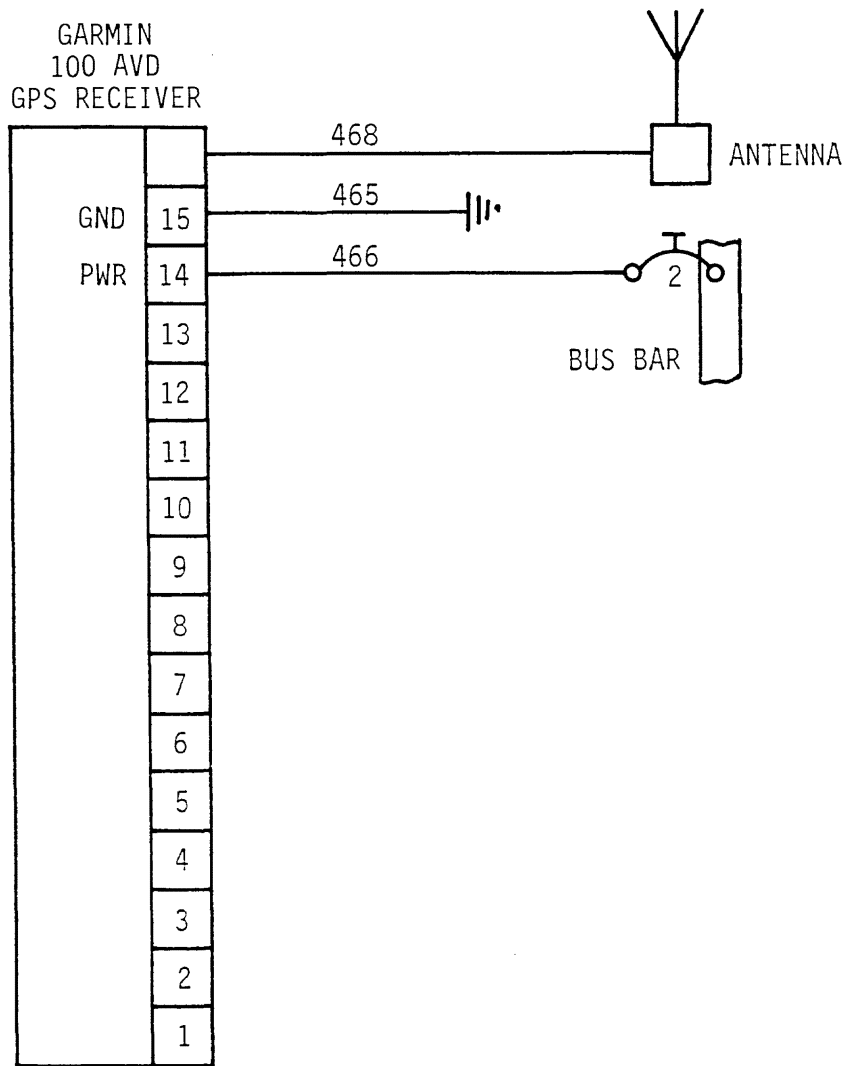


FIGURE 14-15 GARMIN 100 AVD GPS RECEIVER

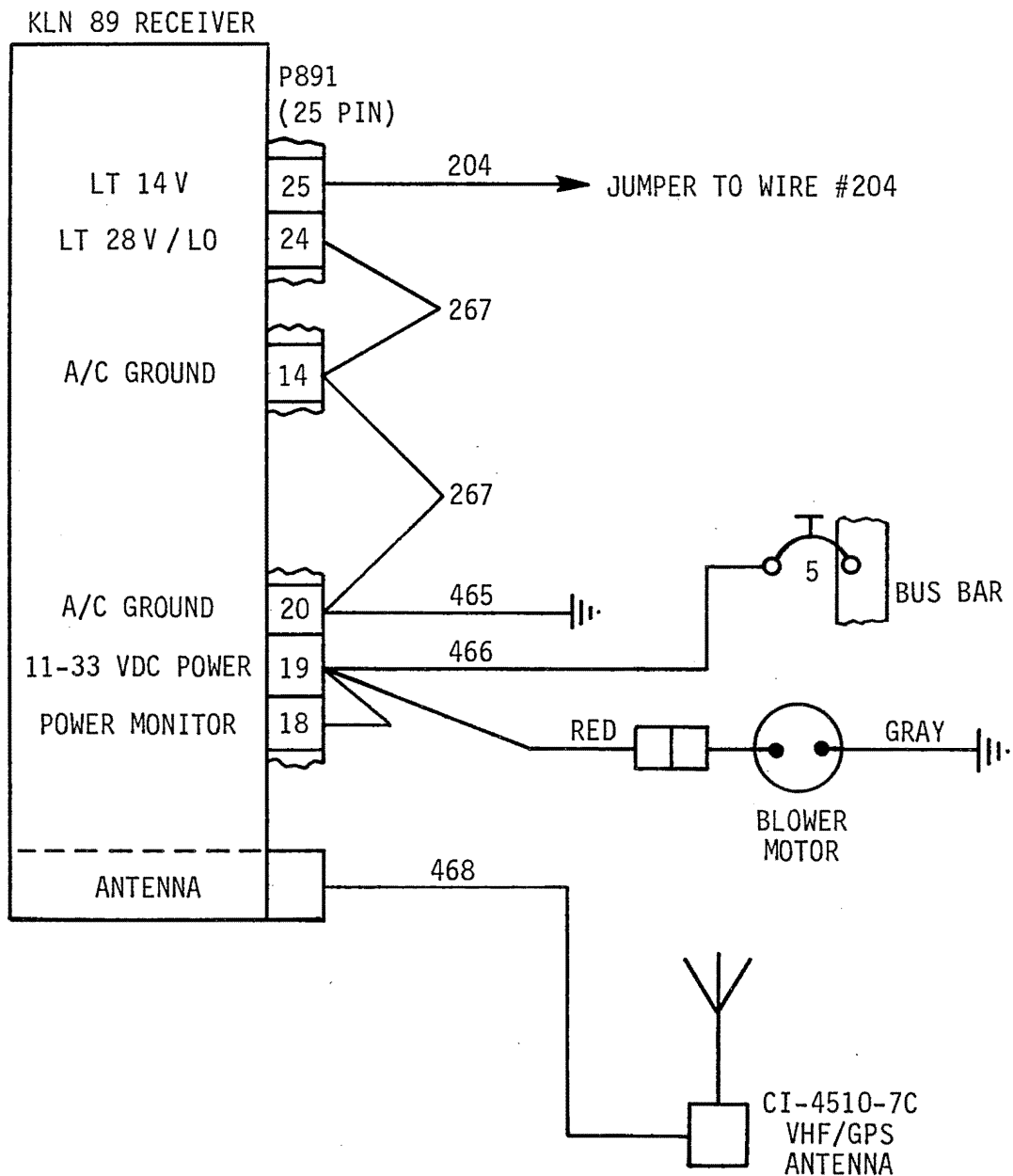


FIGURE 14-16 BENDIX/KING KLN 89 GPS RECEIVER

14.900 AVIONICS SCHEMATICS (Cont'd)

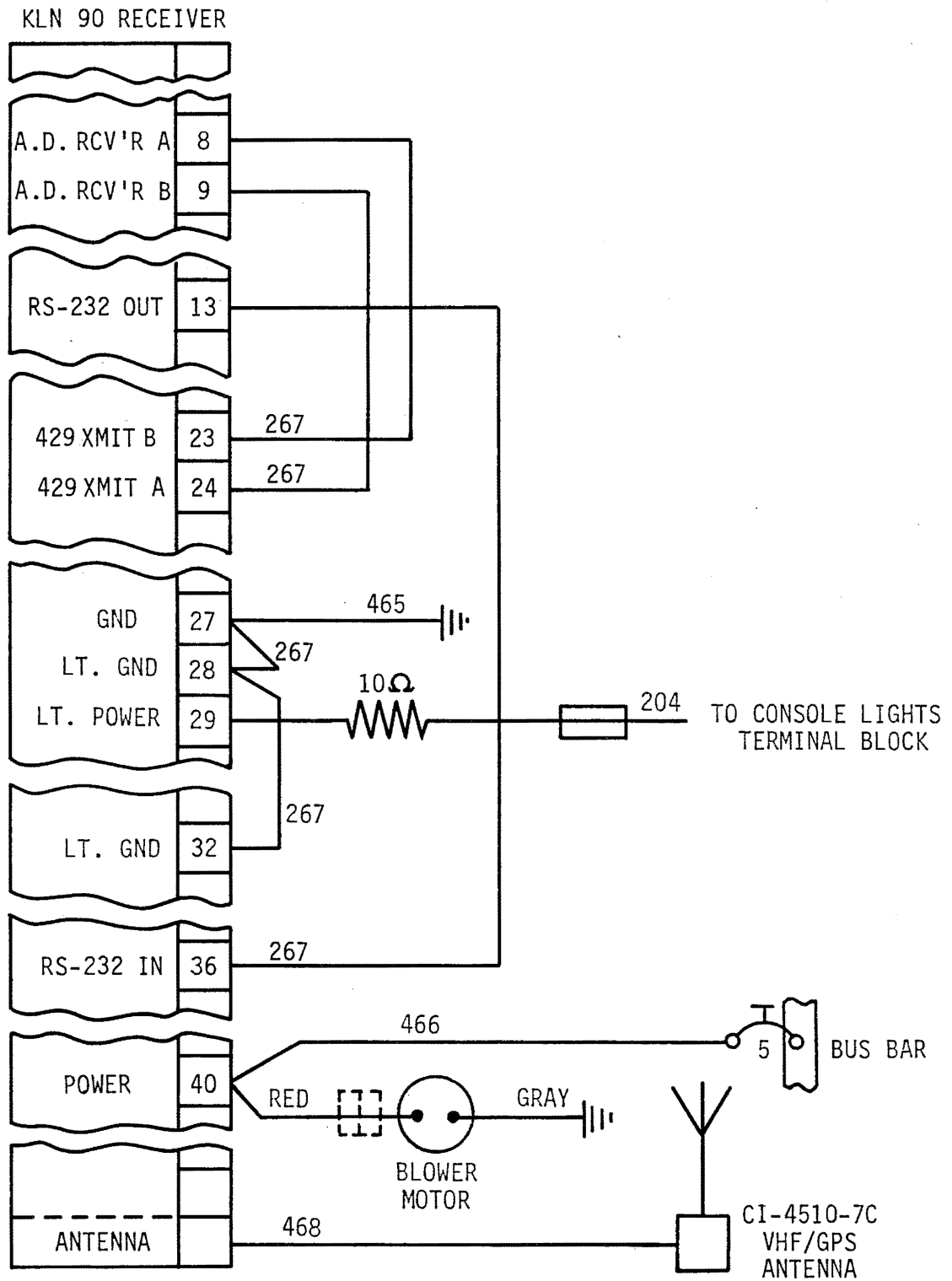
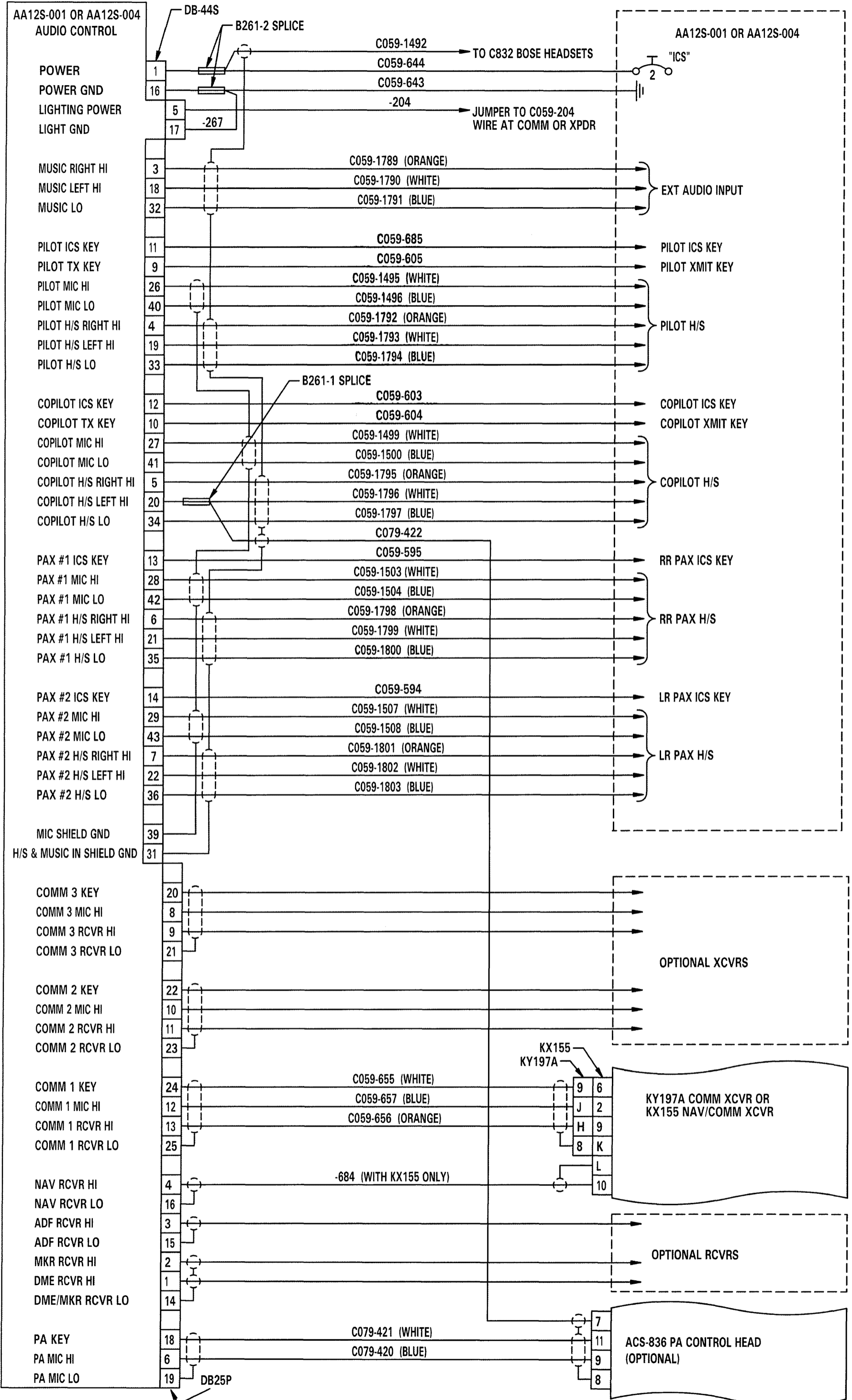


FIGURE 14-17 BENDIX/KING KLN 90 GPS RECEIVER

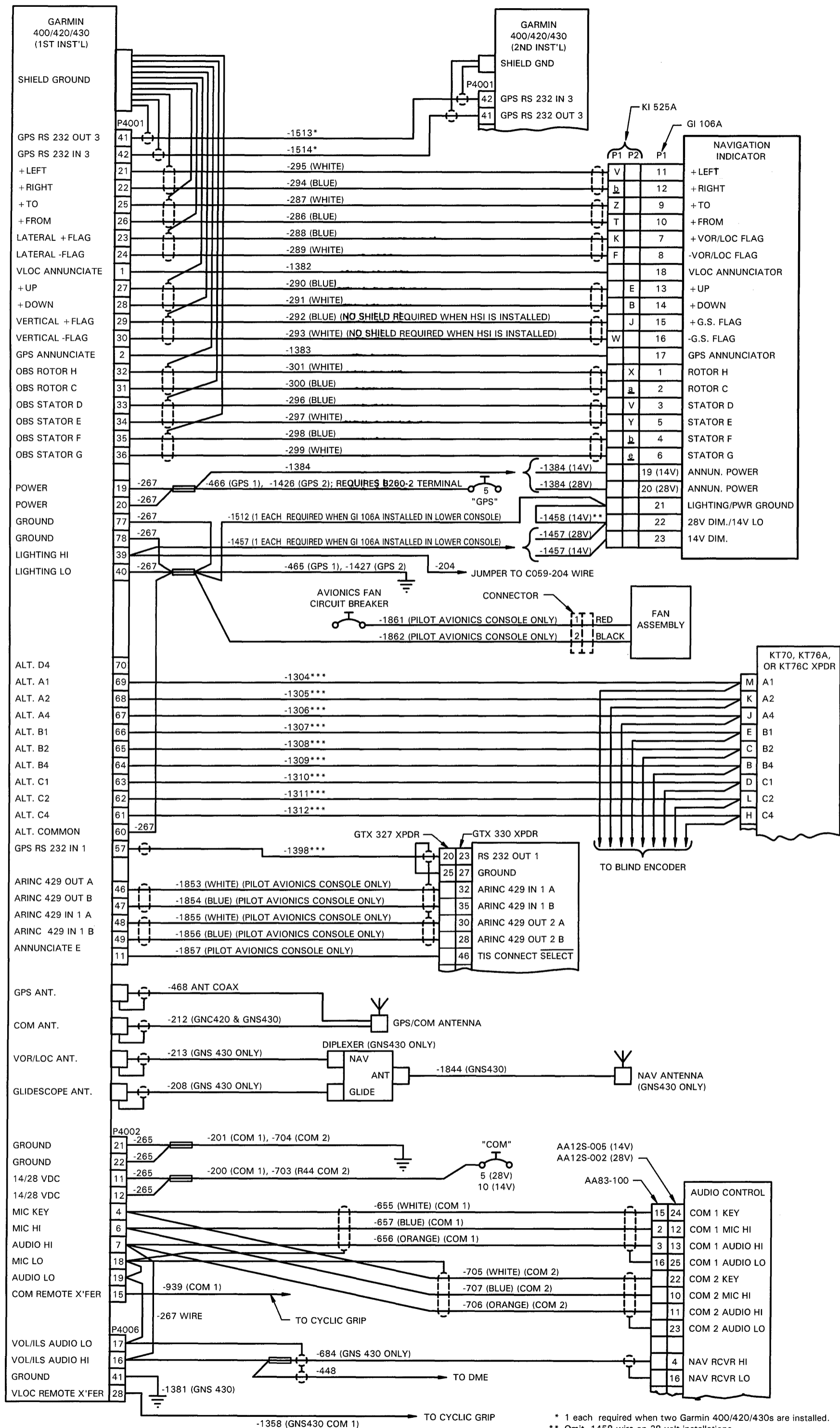


Change 13: OCT 2006

FIGURE 14-19 AA12S-002 or AA12S-005 AUDIO CONTROLLER

FIGURE 14-20 GARMIN 400/420/430 GPS

Change 13: OCT 2006



* 1 each required when two Garmin 400/420/430s are installed.
 ** Omit -1458 wire on 28-volt installations.
 *** Omit if used for GPS 2 installation.

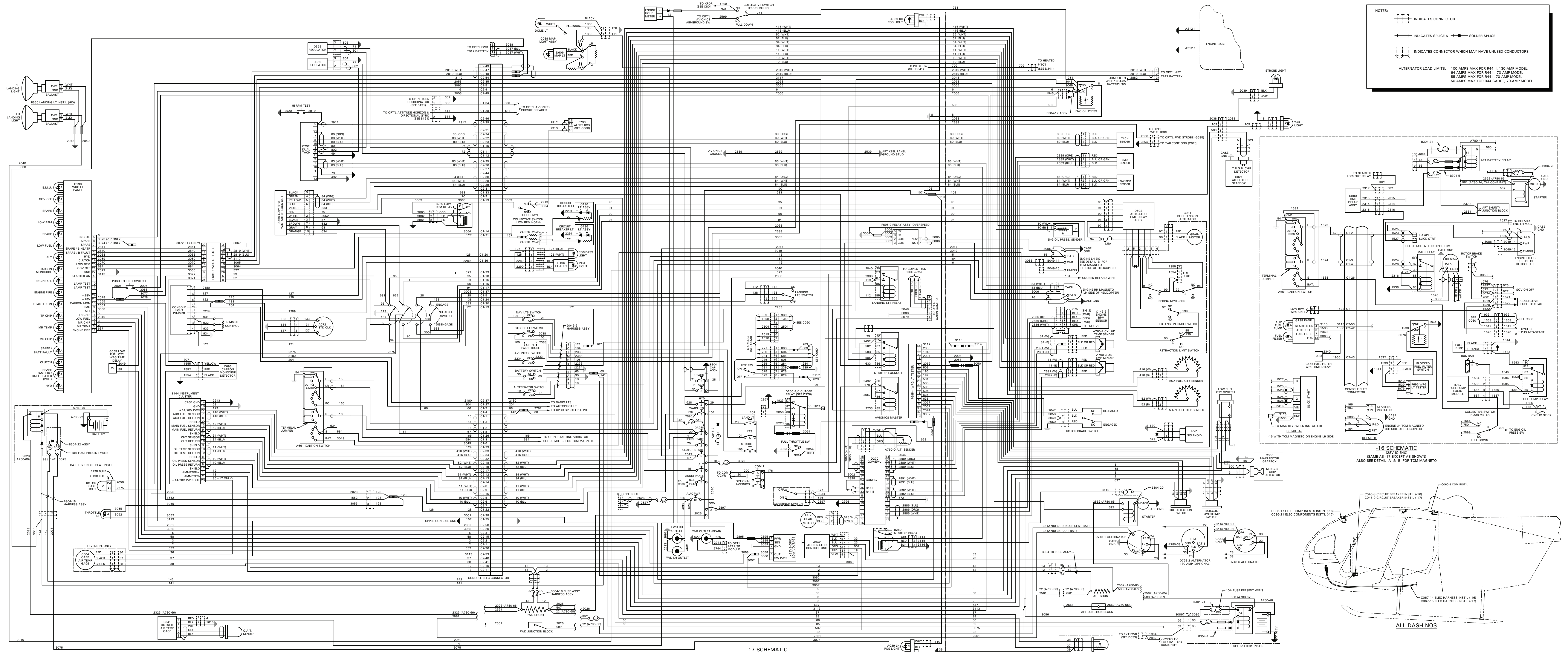


FIGURE 14-21 R44 ELECTRICAL SYSTEM INSTALLATION (C024 Revision AT shown)

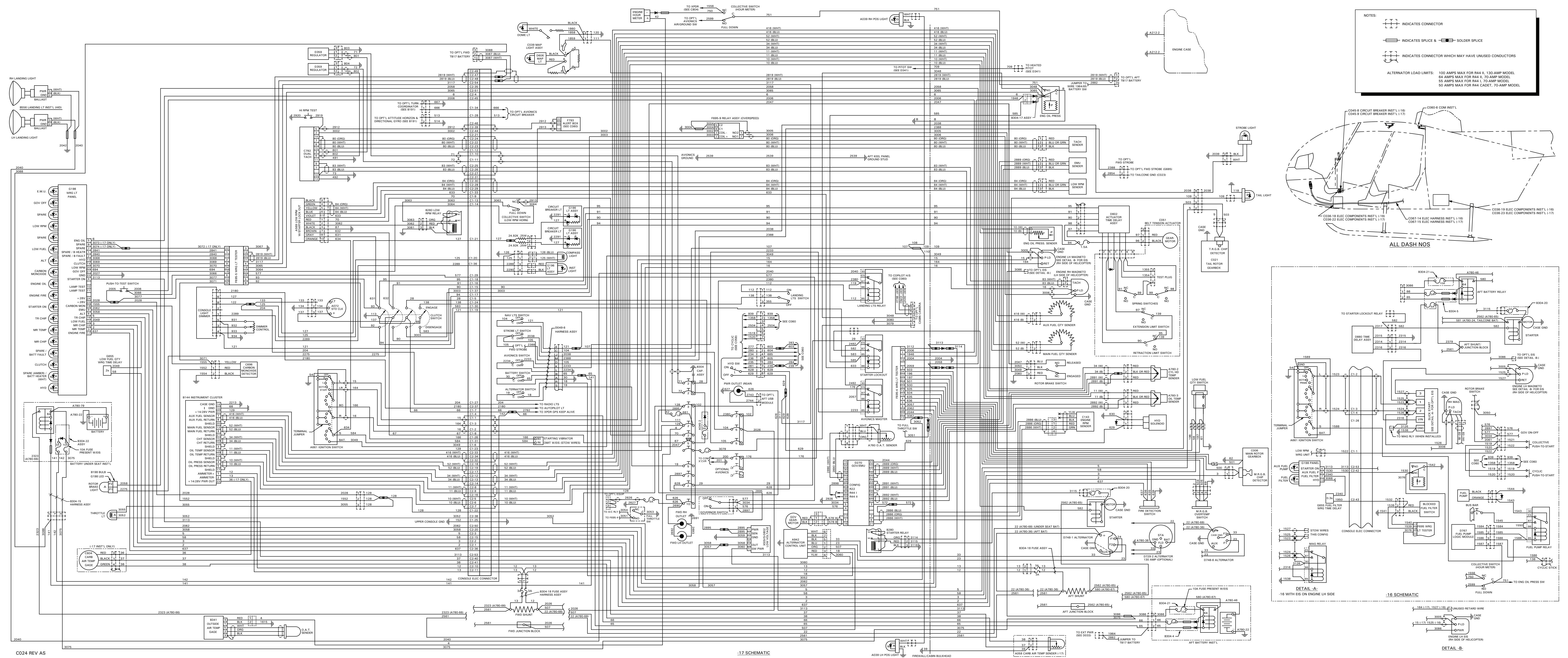


FIGURE 14-21A R44 ELECTRICAL SYSTEM INSTALLATION (C024 Revision AS shown)

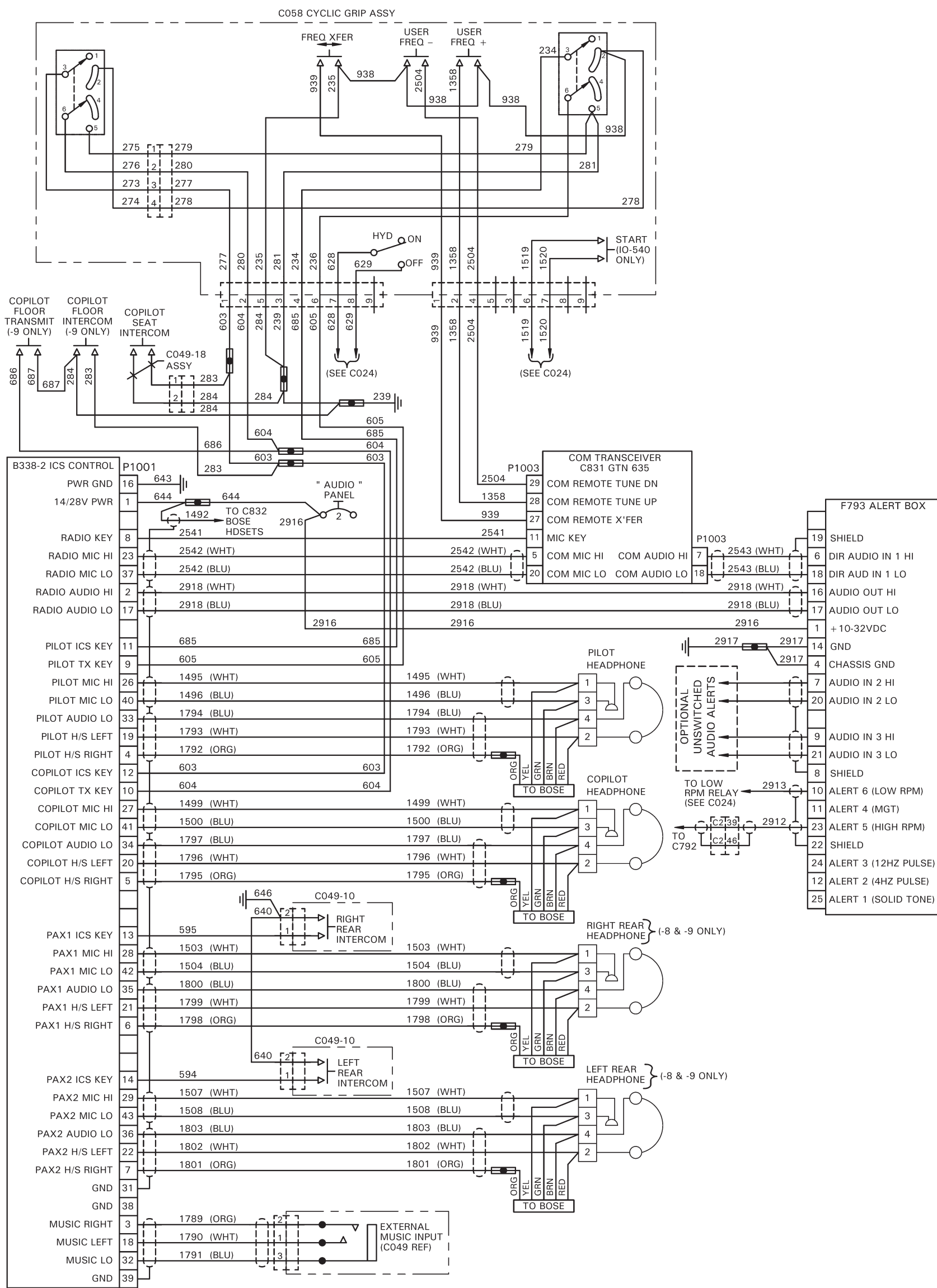
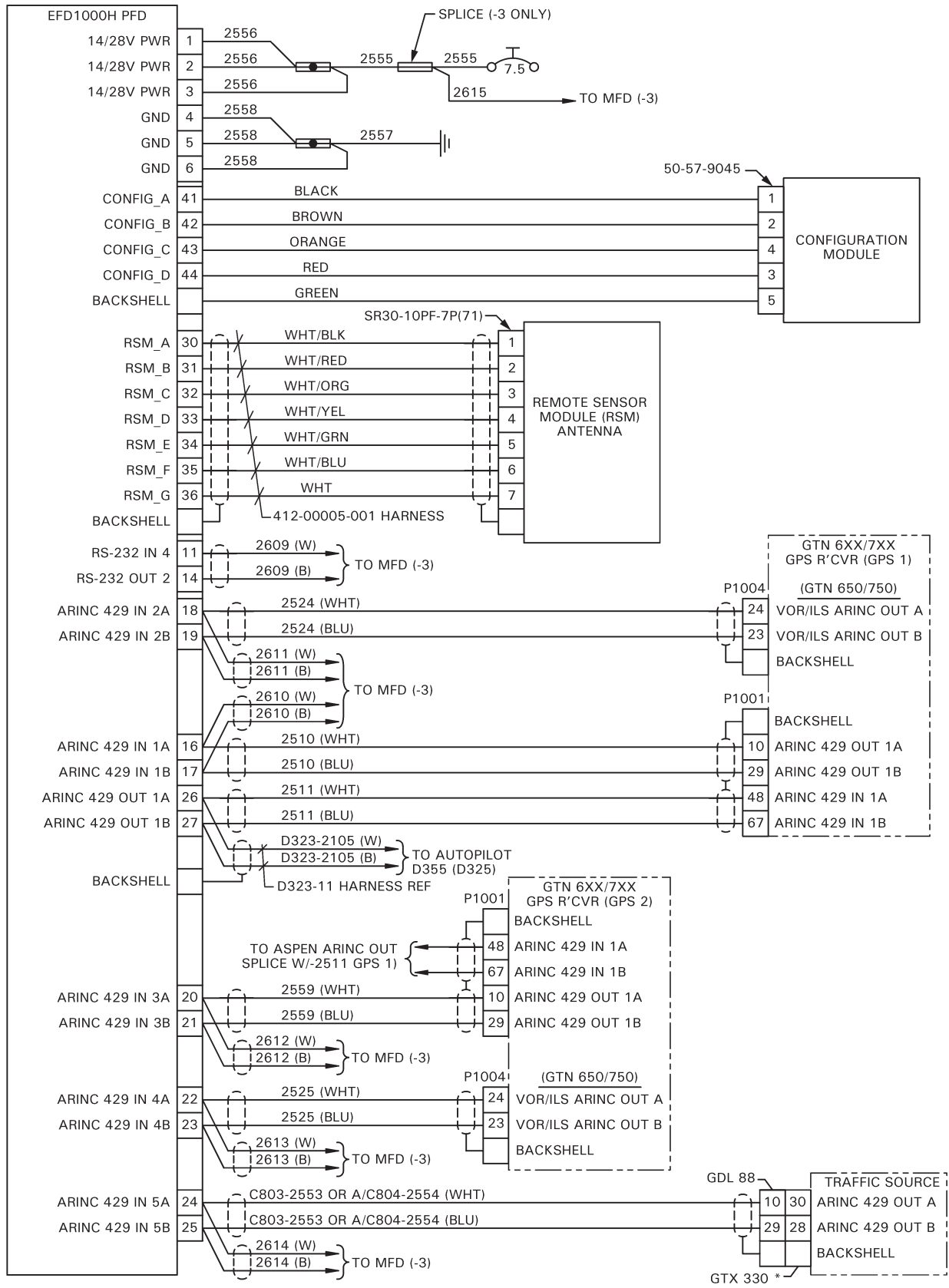


FIGURE 14-22 C060-8 THRU -10 AUDIO SYSTEM & INTERIOR LIGHT SCHEMATIC

C060 REV AC

Intentionally Blank

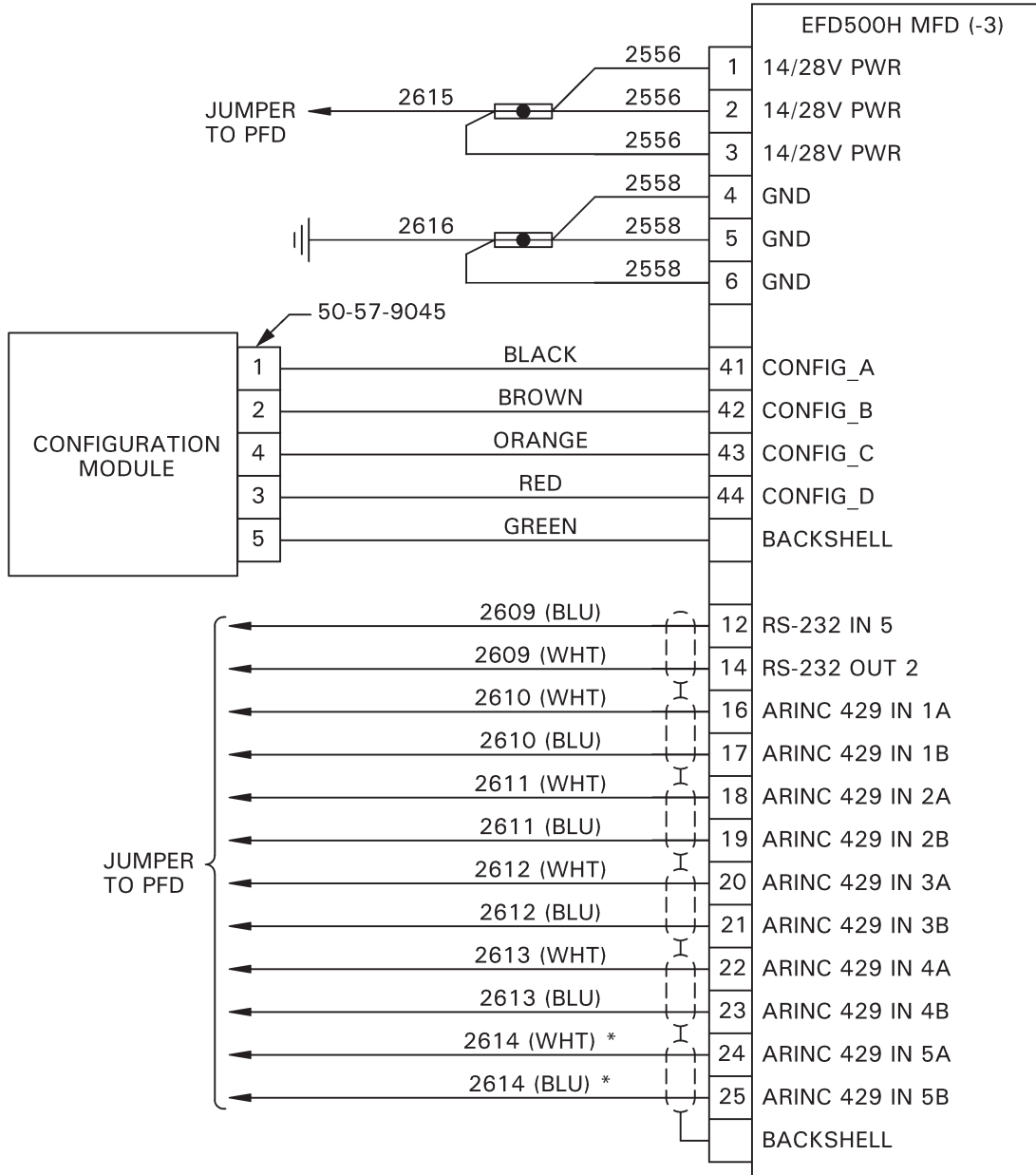


C800 REV E

* Connect to GTX 330 traffic (TIS-A) ONLY if no other traffic system installed, such as GDL 88 (TIS-B).

FIGURE 14-23 C800-1 ASPEN PFD

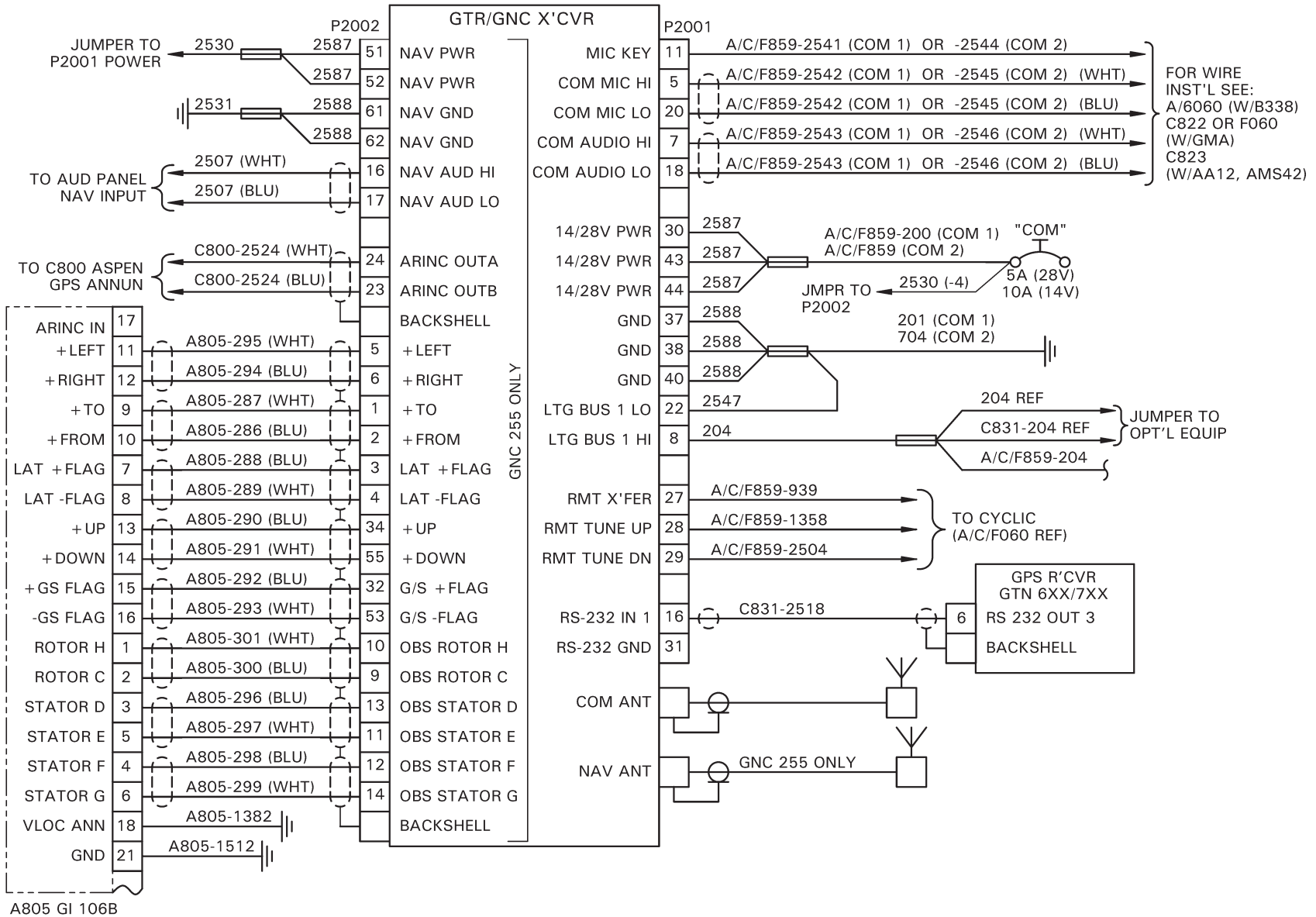
Intentionally Blank



C800 REV E

FIGURE 14-24 C800-3 ASPEN PFD & MFD

Intentionally Blank



FOR WIRE
INST'L SEE:
A/6060 (W/B338)
C822 OR F060
(W/GMA)
C823
(W/AA12, AMS42)

JUMPER TO
OPT'L EQUIP

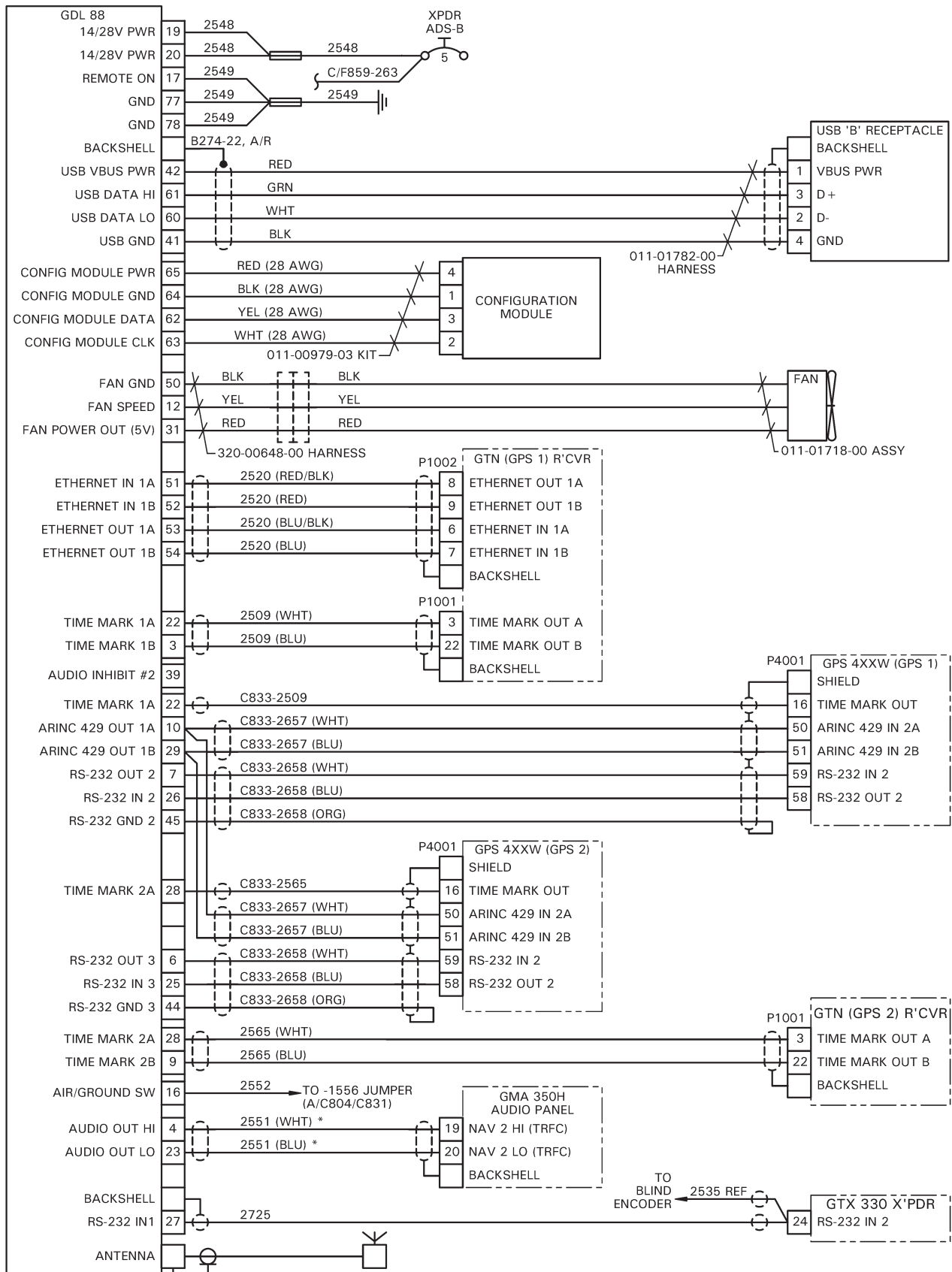
GPS R'CVR
GTN 6XX/7XX
RS 232 OUT 3
BACKSHELL

A805 GI 106B

C802 REV F

FIGURE 14-25 C802-2 AND -4 COM INSTALLATION (GTR 225B AND GNC 255B, NAV/COM)

Intentionally Blank

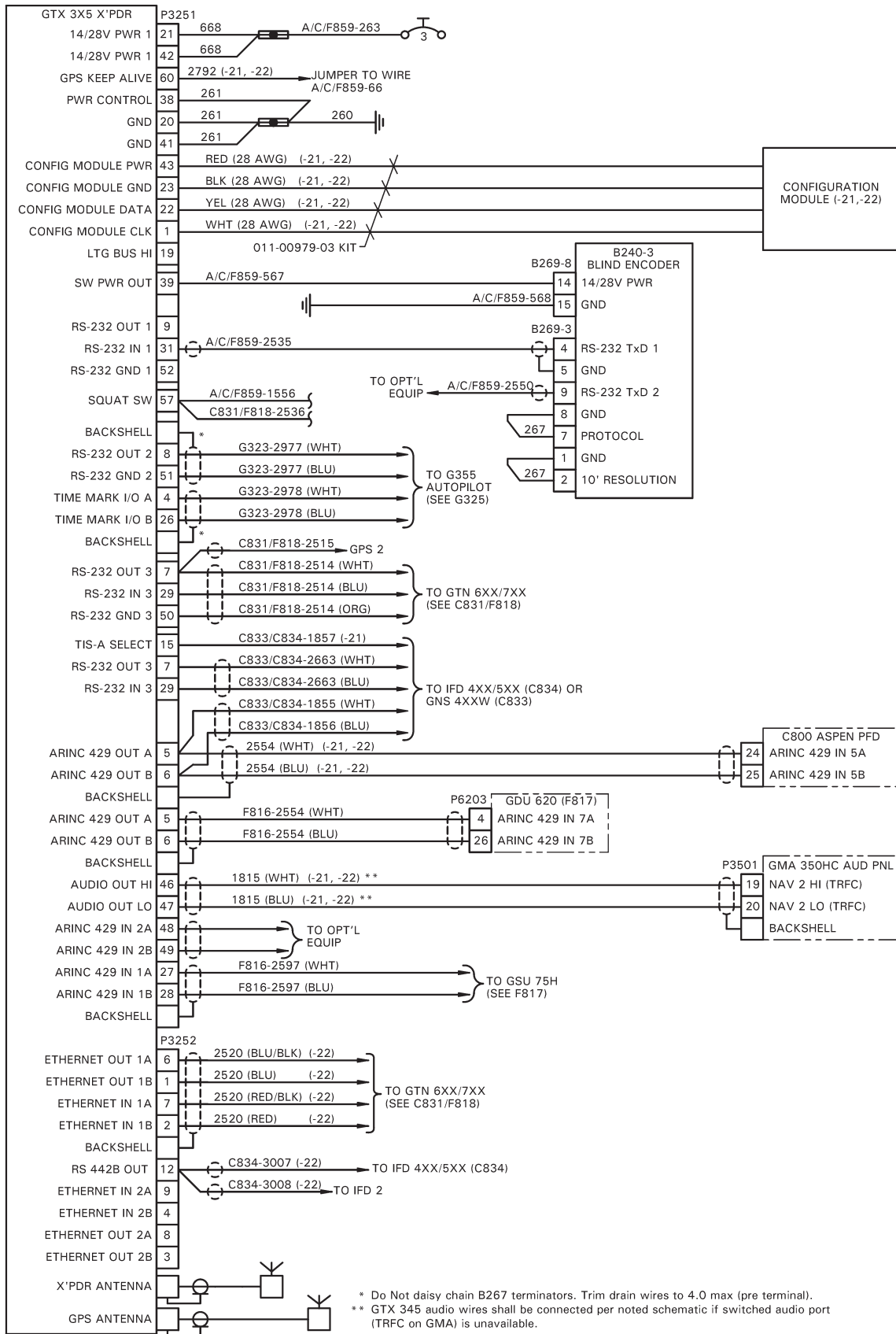


C803 REV D

* GDL 88 traffic wiring is in lieu of GTX 330 traffic wiring.

FIGURE 14-26 C803-1 AND -3 ADS-B INSTALLATION (GDL 88)

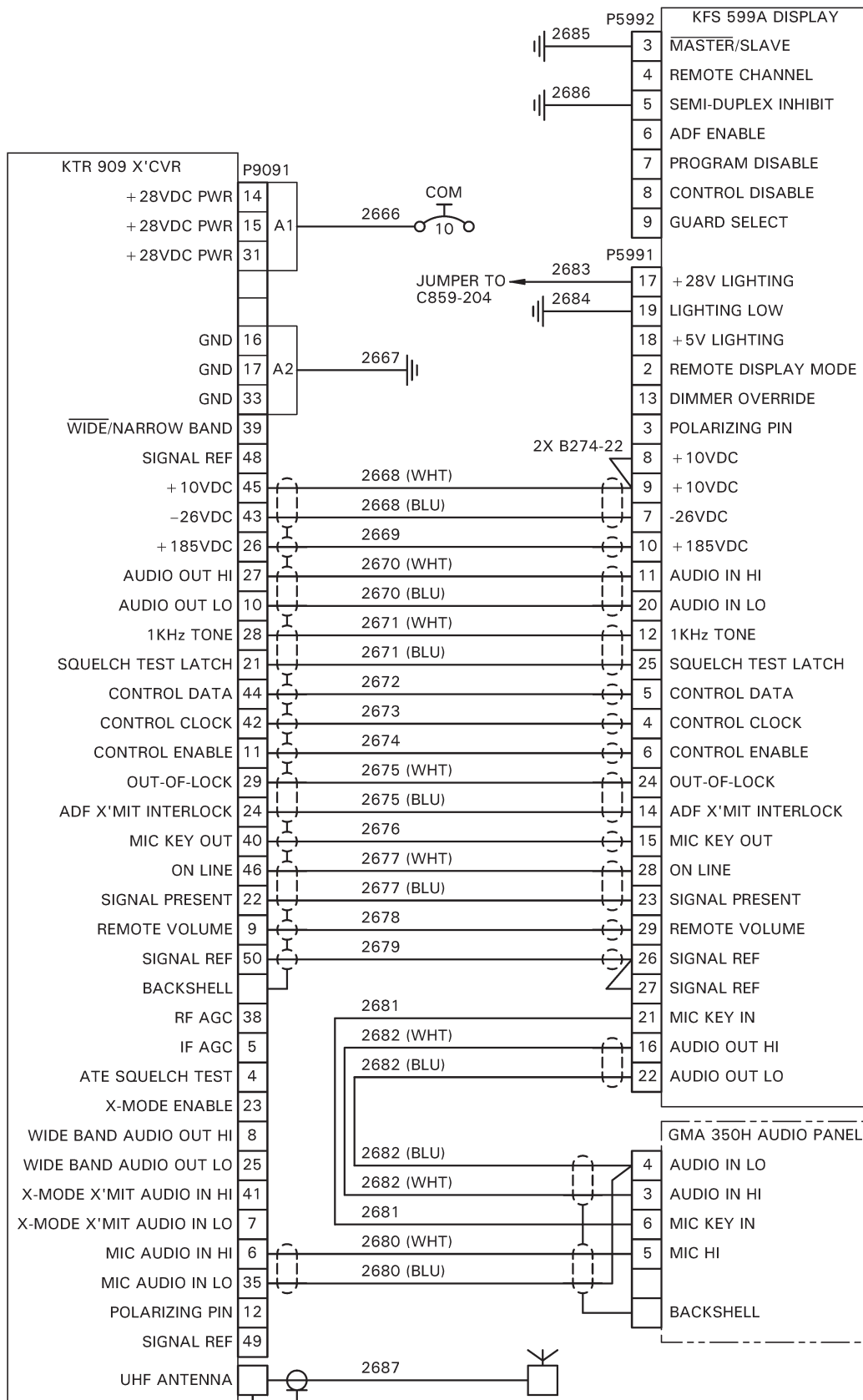
Intentionally Blank



C804 REV AC

FIGURE 14-27 C804-20, -21, AND -22 TRANSPONDER INSTALLATION (GTX 325, GTX 335, GTX 345)

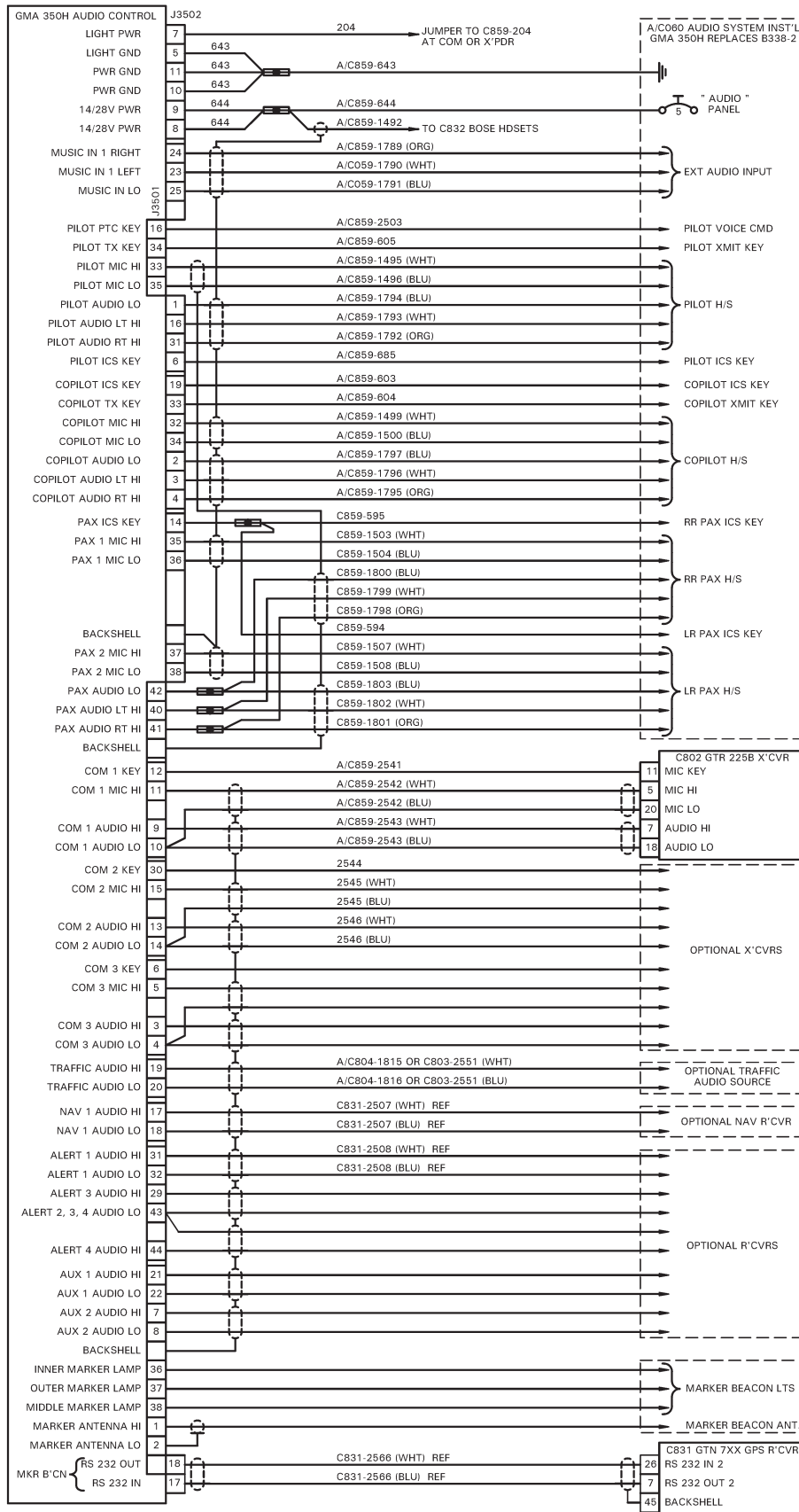
Intentionally Blank



C807 REV B

FIGURE 14-28 C807-1 TRANSCEIVER INSTALLATION (KING KTR 909 UHF)

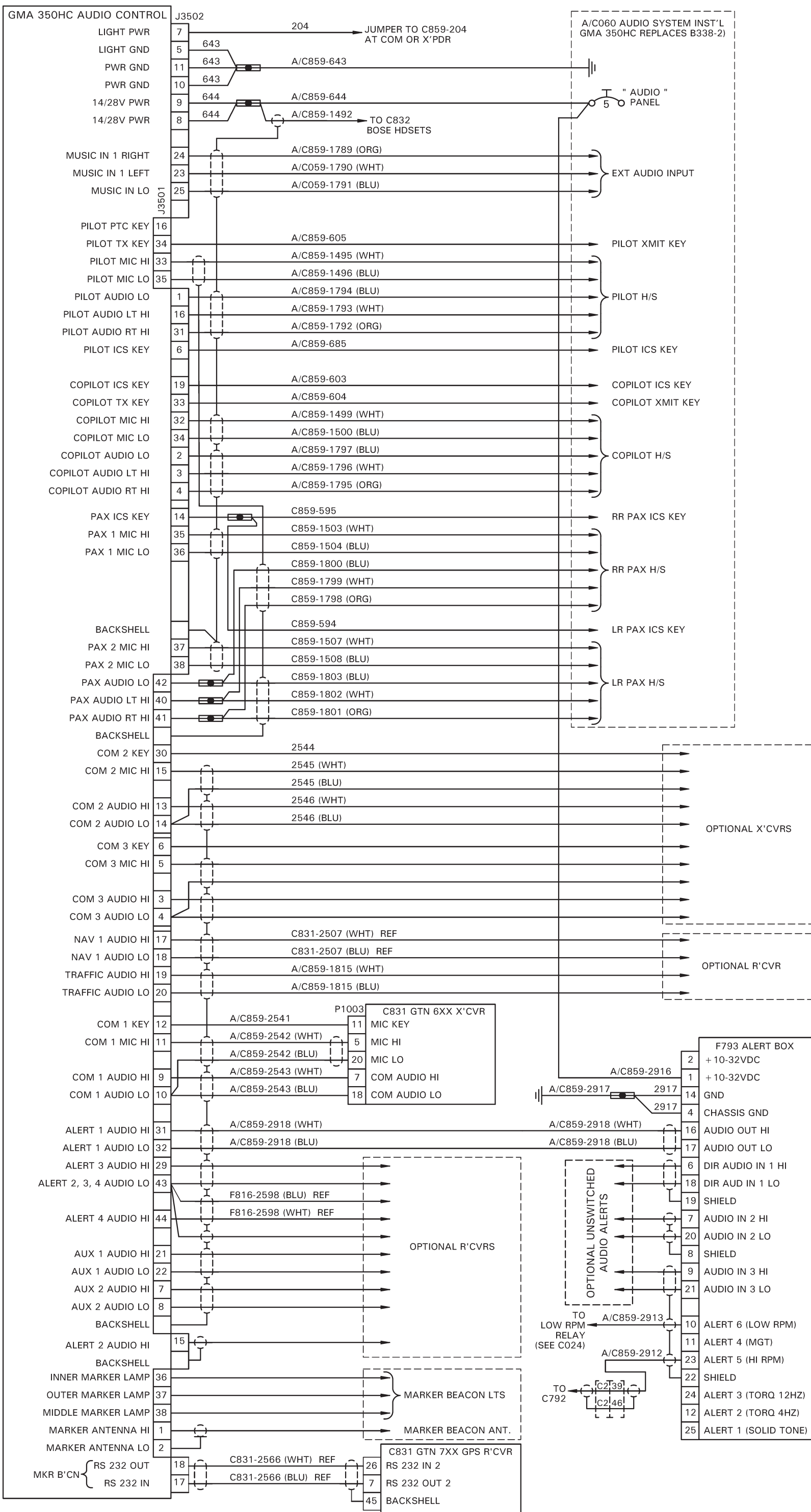
Intentionally Blank



C822 REV C

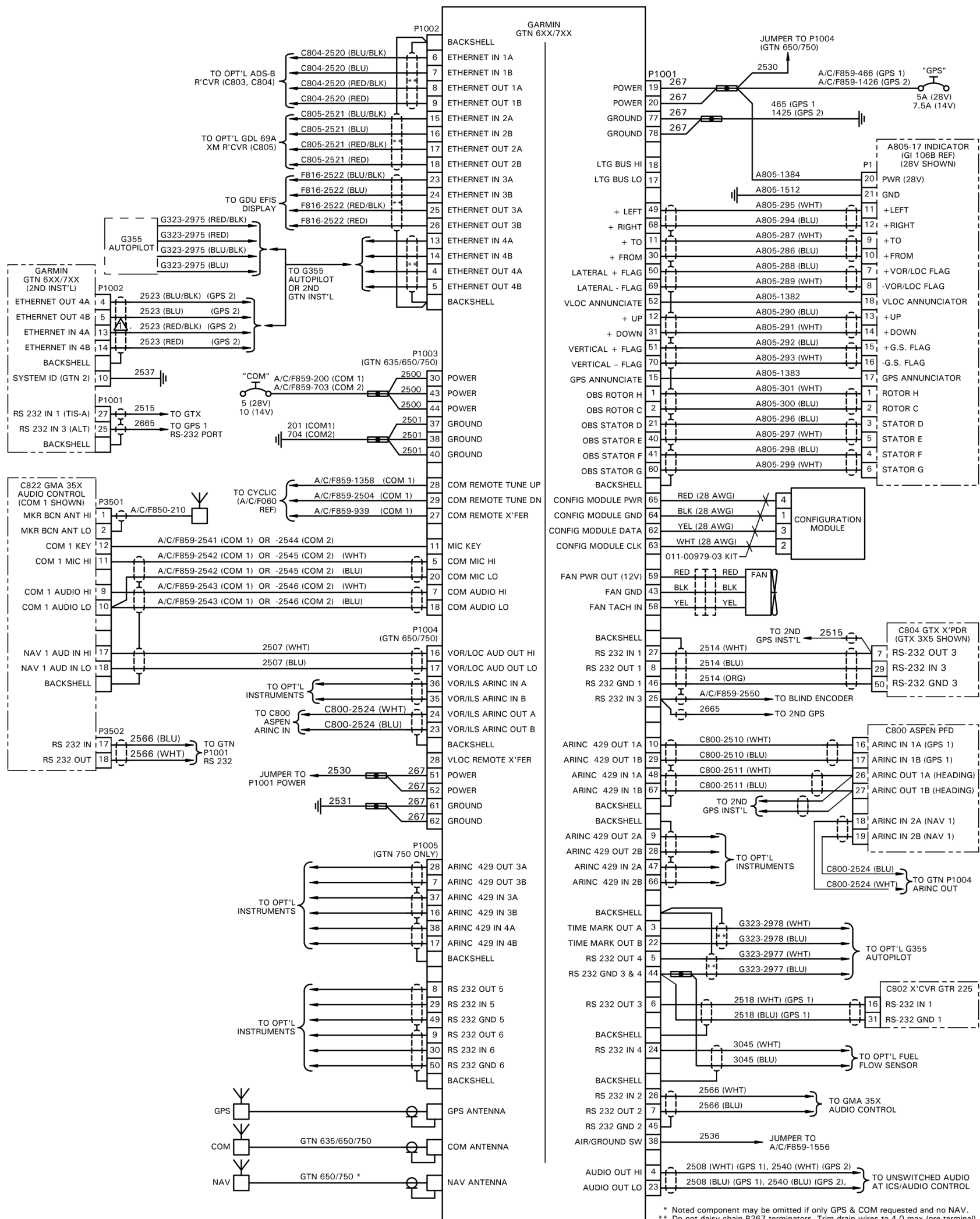
FIGURE 14-29 C822-2 AUDIO CONTROL INSTALLATION (GMA 350H)

Intentionally Blank

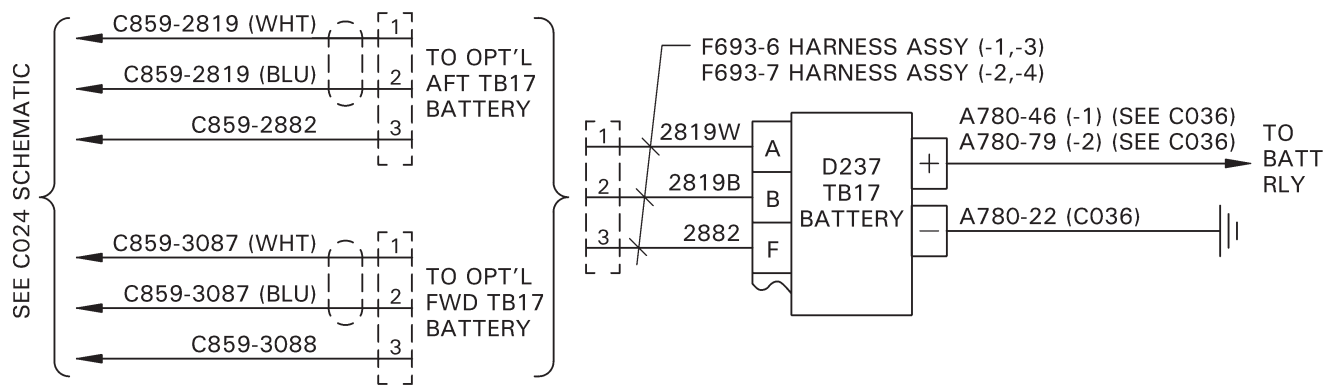


Intentionally Blank

FIGURE 14-31 C831-4 THRU -11 GPS INSTALLATION (GTN 6XX/7XX, PILOT AVIONICS CONSOLE)



Intentionally Blank



D036 REV C

FIGURE 14-31A D036 LITHIUM-ION BATTERY INSTALLATION

Intentionally Blank

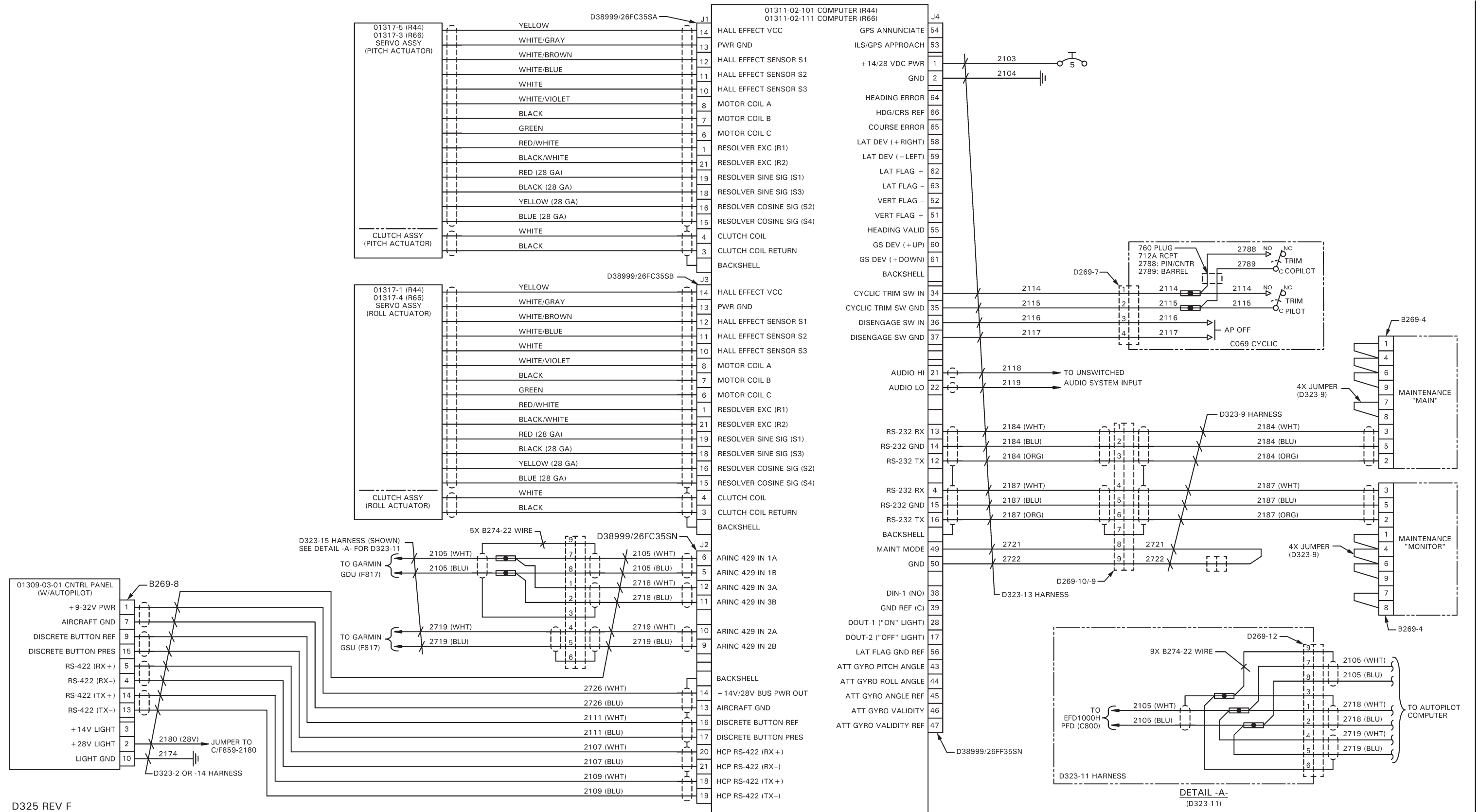


FIGURE 14-32A D325-1 AUTOPILOT (HELISAS, WITHOUT BC MODE) SCHEMATIC

D325 REV F

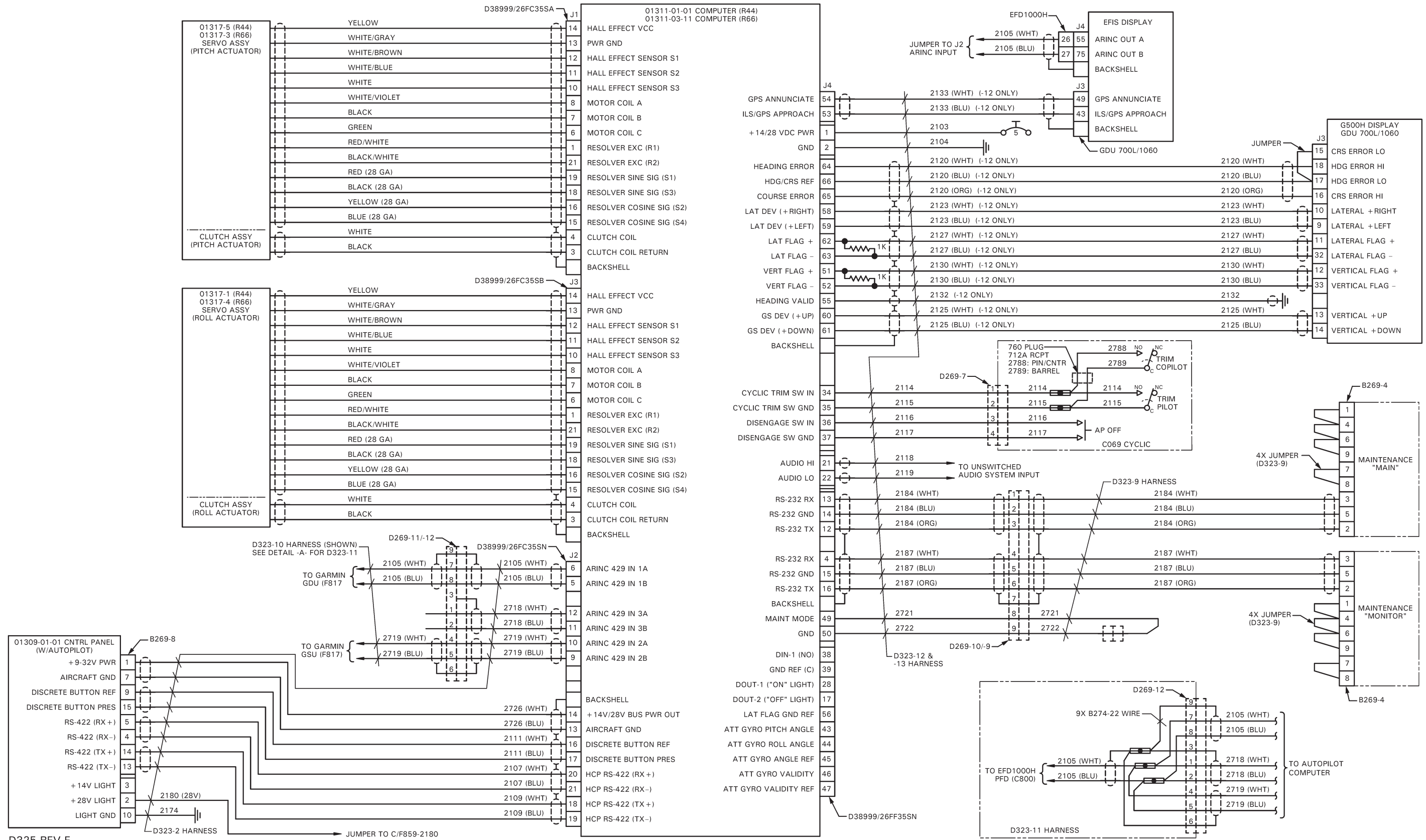
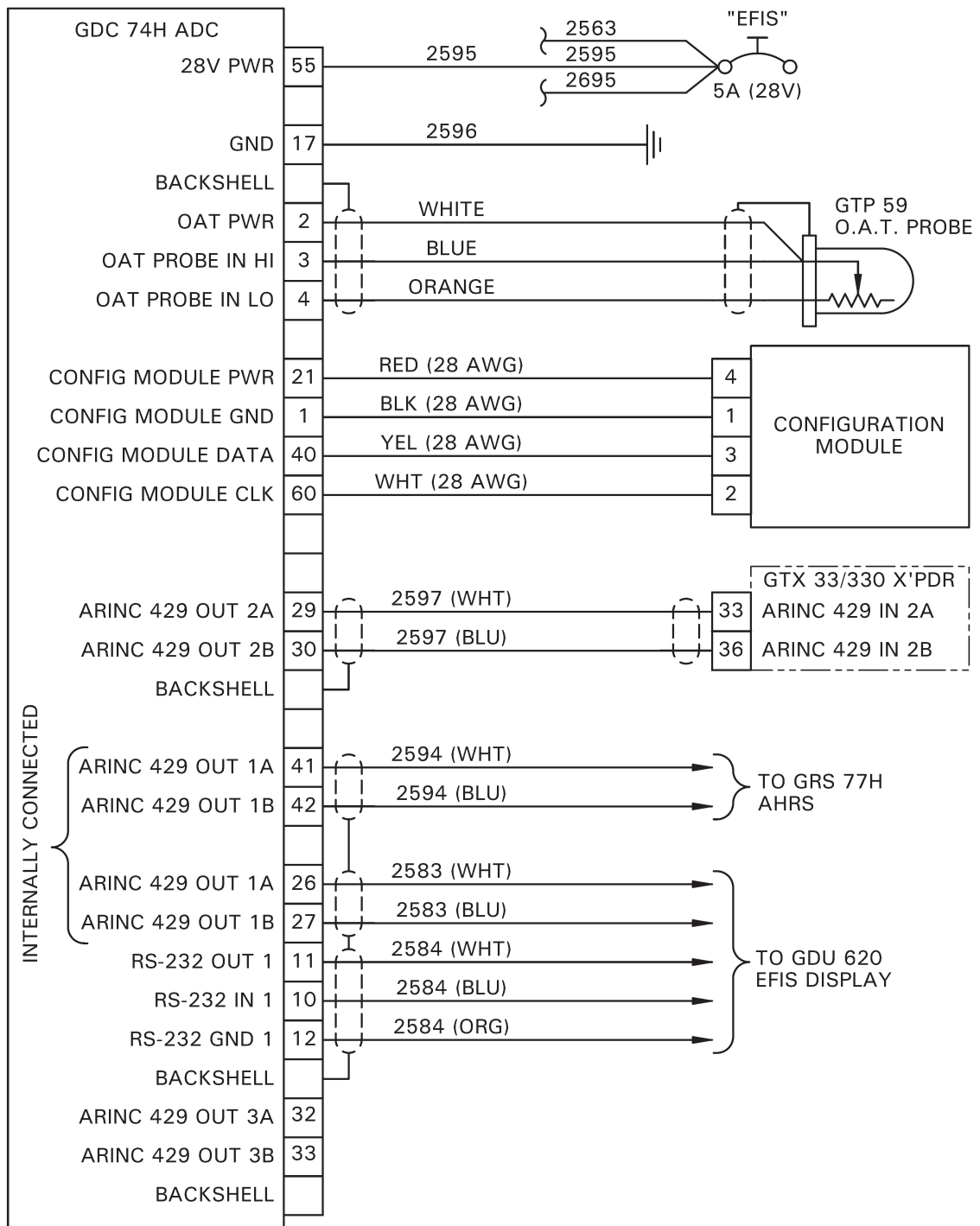


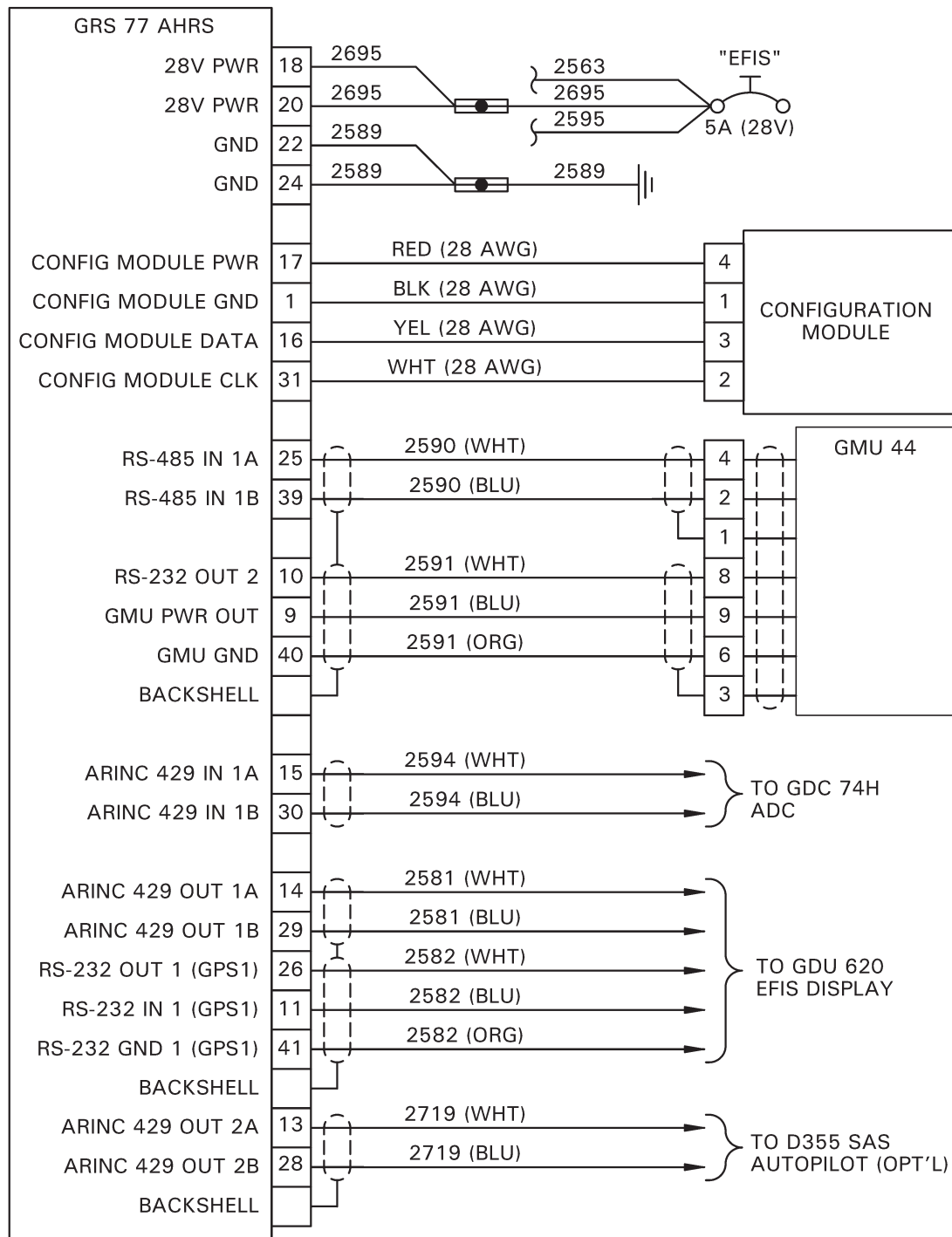
FIGURE 14-32B D325-1 AUTOPILOT (HELISAS, WITH BC MODE) SCHEMATIC



F817 REV E

FIGURE 14-33 F817-1 G500H LRU INSTALLATION – GDC 74H AIR DATA COMPUTER

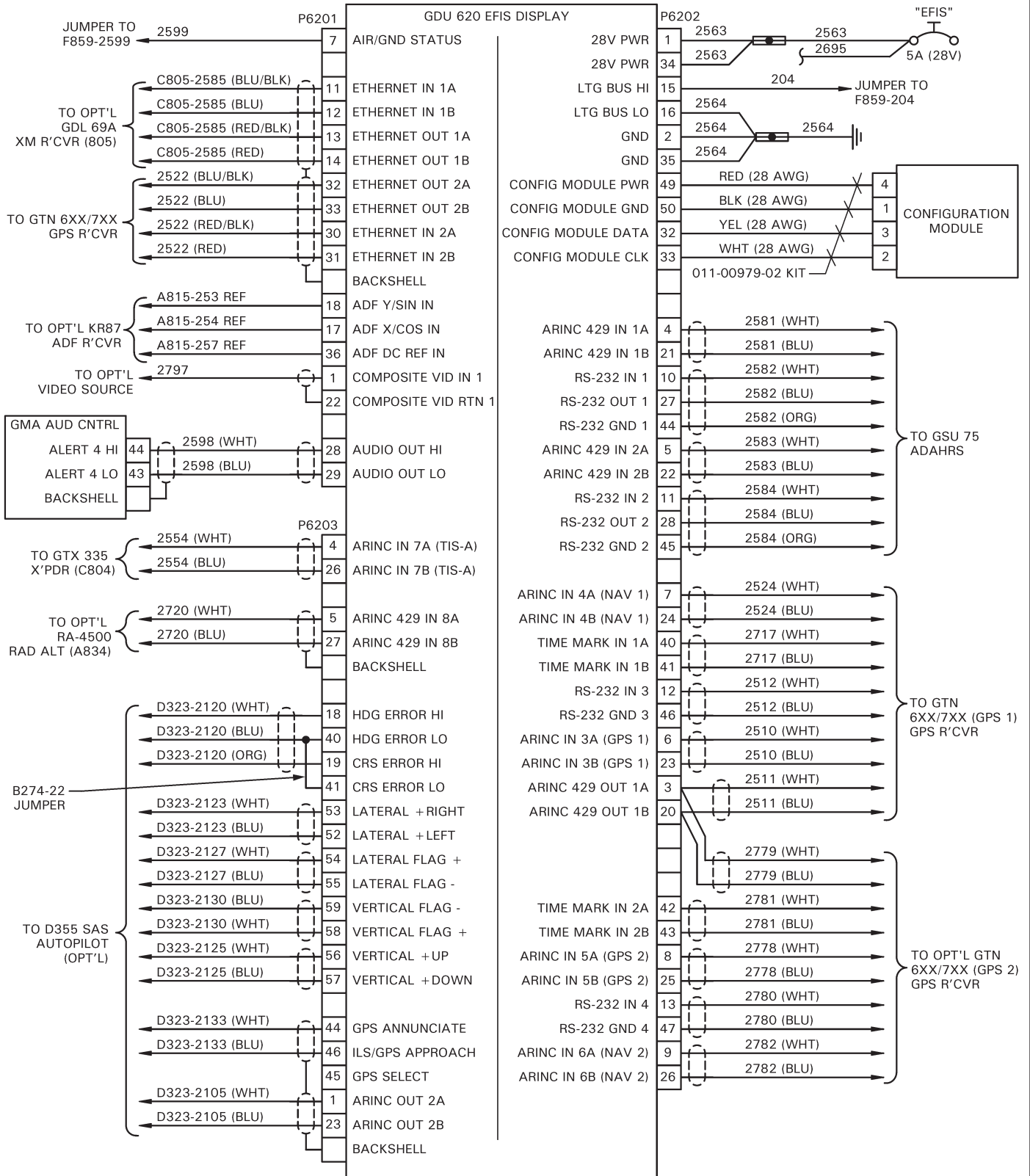
Intentionally Blank



F817 REV E

FIGURE 14-34 F817-1 G500H LRU INSTALLATION – GRS 77 AHRS

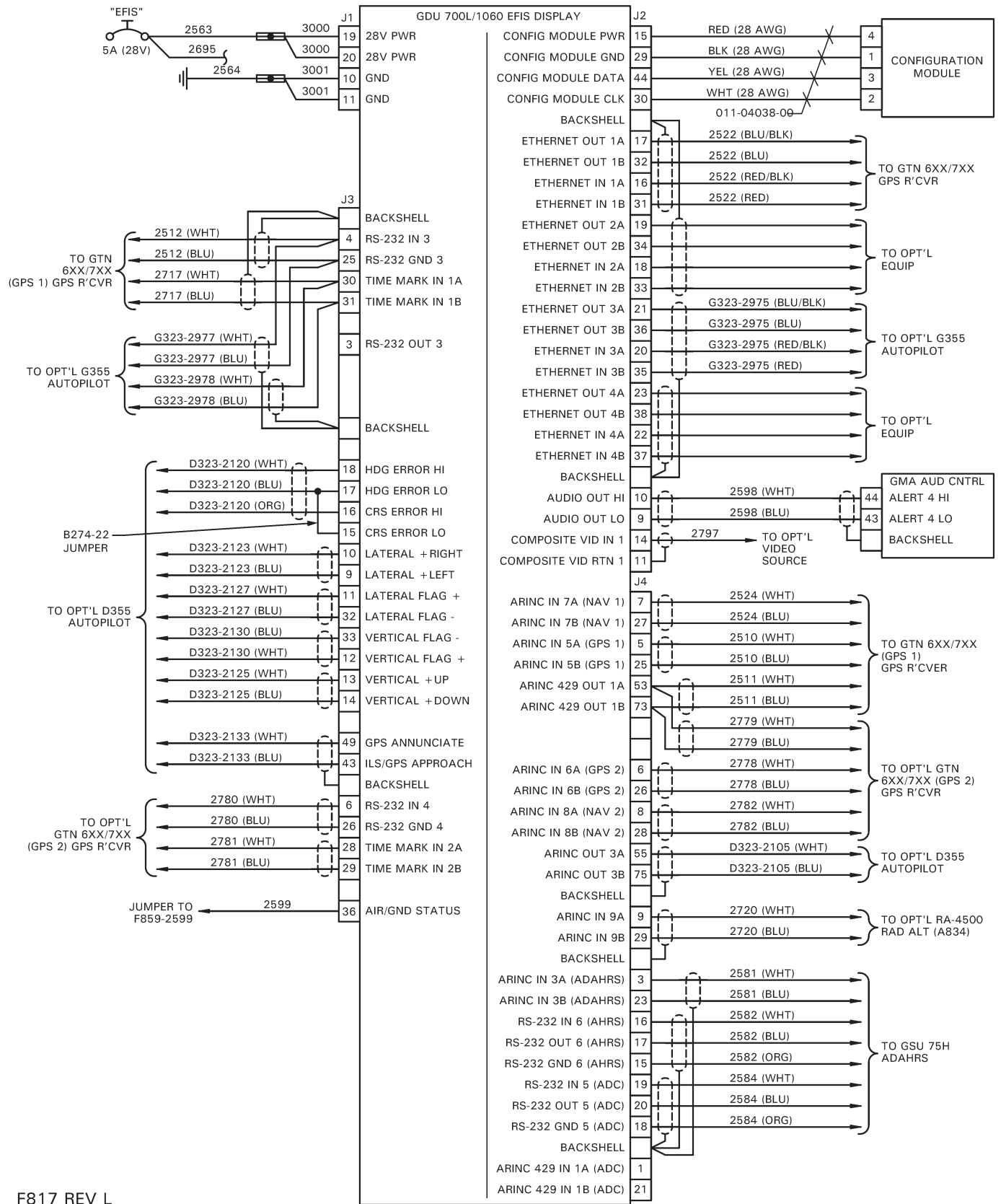
Intentionally Blank



F817 REV J

FIGURE 14-35 F817-2, -4, AND -5 G500H LRU INSTALLATION – GDU 620

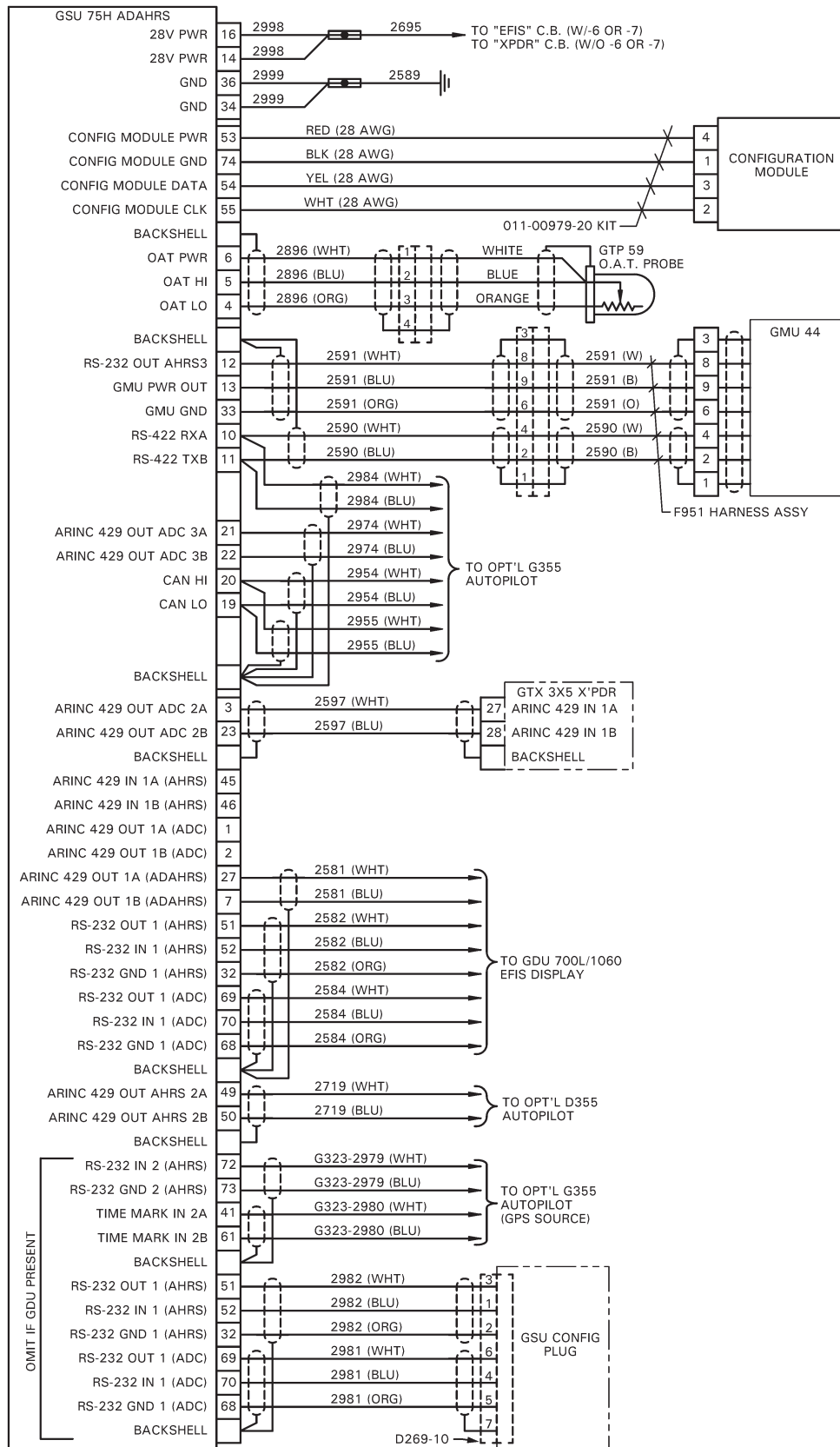
Intentionally Blank



F817 REV L

FIGURE 14-36 F817-6 AND -7 G500H LRU INSTALLATION – GDU 700L/1060

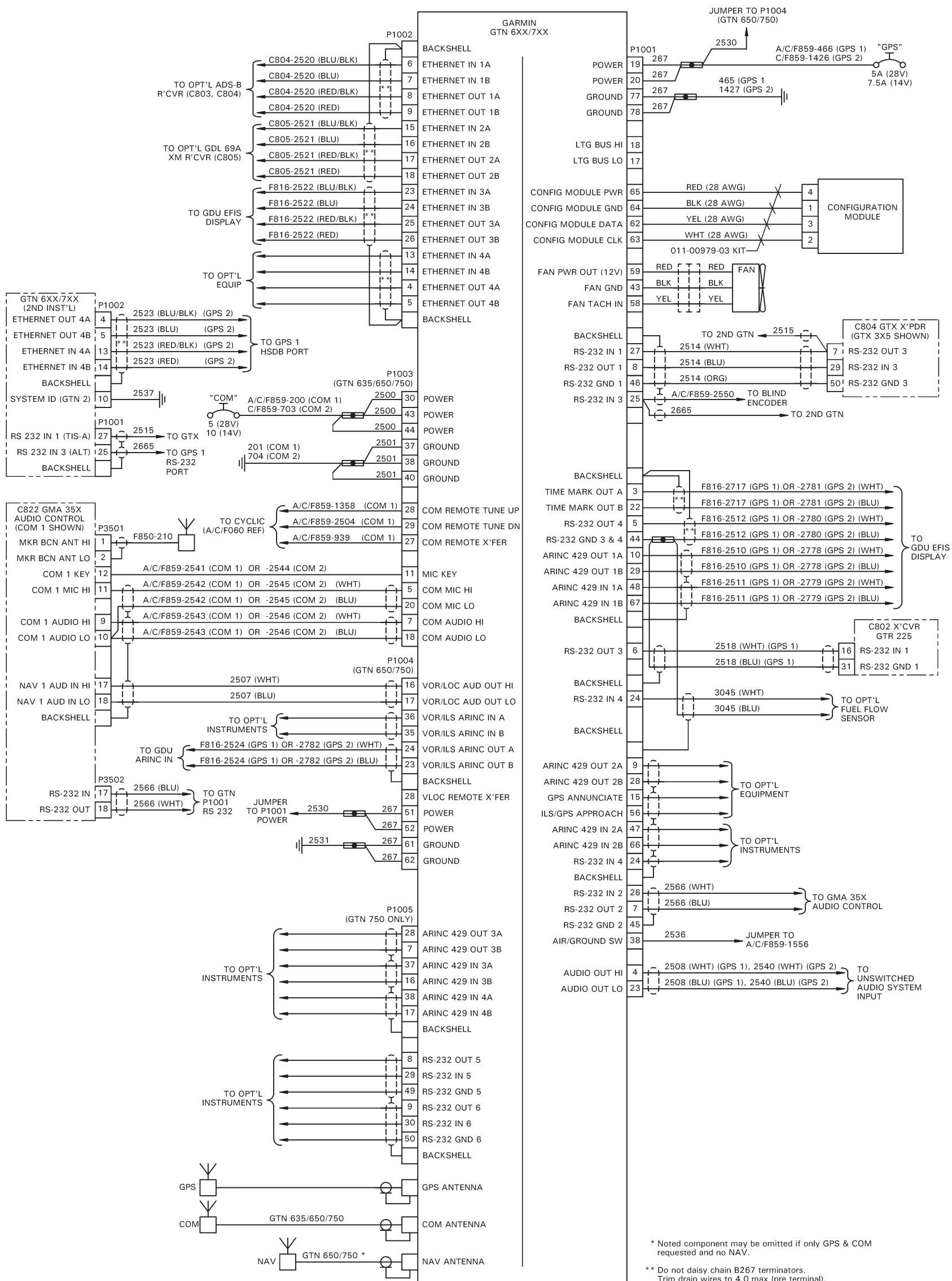
Intentionally Blank



F817 REV L

FIGURE 14-37 F817-8 G500H LRU INSTALLATION – GSU 75 ADAHRS

Intentionally Blank

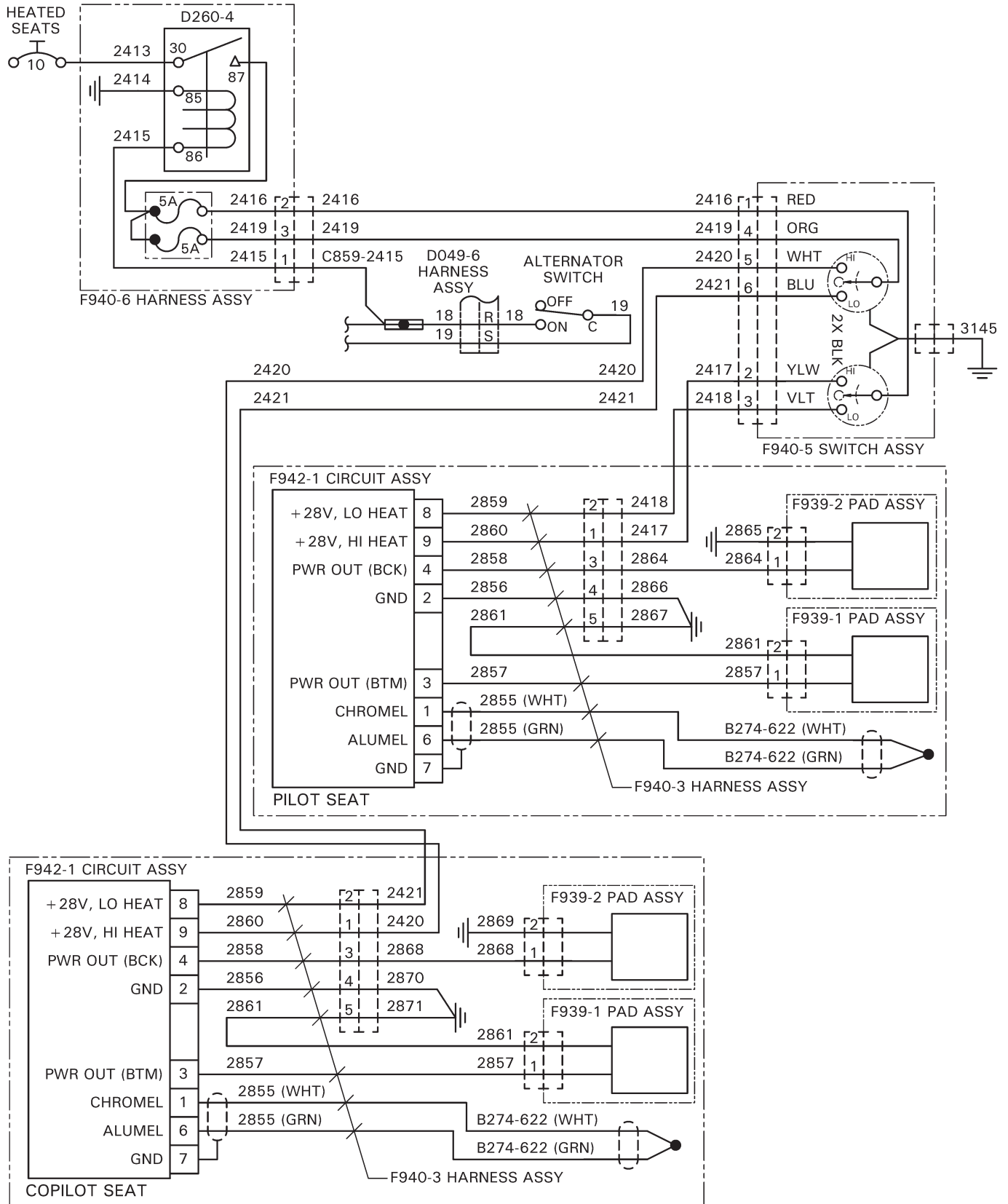


* Noted component may be omitted if only GPS & COM requested and no NAV.
 ** Do not daisy chain B267 terminators. Trim drain wires to 4.0 max (pre terminal).

FIGURE 14-38 F818-1 THRU -11 GPS INSTALLATION (GTN 6XX/7XX, G500H CONSOLE)

F818 REV H

Intentionally Blank



C938 REV A

FIGURE 14-39 HEATED SEATS

Intentionally Blank