

## CHAPTER 6

## DIMENSIONS AND DESCRIPTIONS

<i>Figure</i>	<i>Title</i>	<i>Page</i>
6-1	Access Panels – Chin . . . . .	6.0
6-3	Access Panels – Pedals and Floor . . . . .	6.2
6-5	Access Panels – Forward Cabin . . . . .	6.4
6-7	Access Panels – Mid Cabin . . . . .	6.6
6-11	Access Panels – Aft Cabin . . . . .	6.10
6-13	Access Panels – Belly . . . . .	6.12
6-15	NAV Antenna Installation . . . . .	6.14
6-17	Radar Altimeter Antennas . . . . .	6.16
6-19	ADF/Marker Beacon Antennas . . . . .	6.18
6-21	FM/DME Antennas . . . . .	6.20
6-23	Aft Belly Antennas . . . . .	6.22
6-25	Aft Belly Antennas . . . . .	6.24
6-27	Kannad ELT Antenna Installation . . . . .	6.26
6-29	Tailcone Antenna Cable Connectors . . . . .	6.28
6-31	Upper Tailcone Antennas . . . . .	6.30
6-35	Upper Tailcone Antennas . . . . .	6.34
6-37	Lower Tailcone Antennas . . . . .	6.36

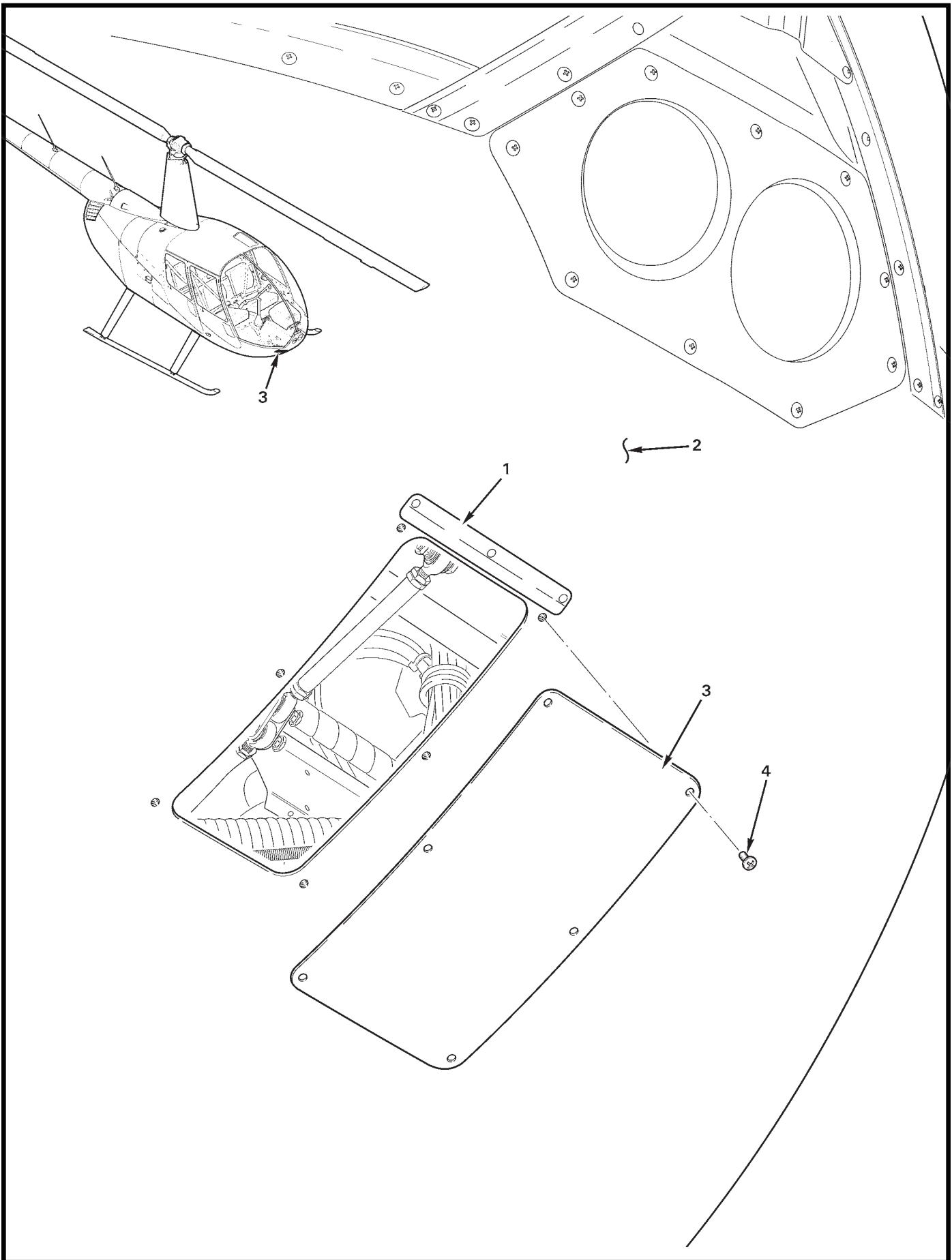


FIGURE AND INDEX NUMBER	PART NUMBER	DESCRIPTION	PARTS AVAIL	QTY PER ASSY
<b>ACCESS PANELS - CHIN</b>				
6-1-1	C795-2	Shingle (Ref)		
2	C272-1	Chin (Ref)		
3	C795-1	Cover (inspection) . . . . .	X	1
4	MS27039C0806	Screw . . . . .	X	6
NOTES				

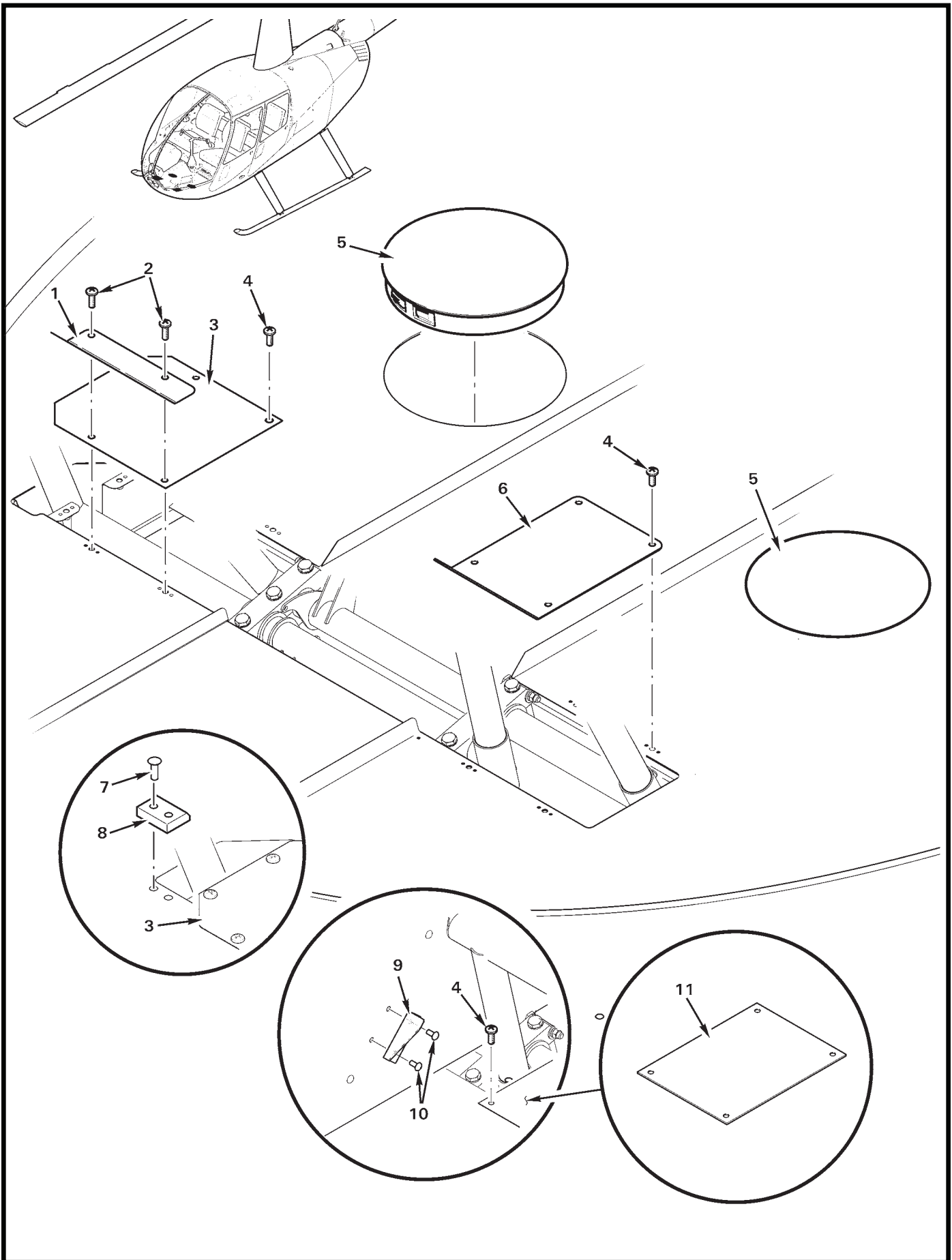


FIGURE AND INDEX NUMBER	PART NUMBER	DESCRIPTION	PARTS AVAIL	QTY PER ASSY
<b>ACCESS PANELS - PEDALS AND FLOOR</b>				
6-3-1	B189-2	Deflector . . . . .	X	1
2	MS27039C0807	Screw . . . . .	X	2
3	A412-2	Cover (RH) . . . . .	X	1
4	MS27039C0806	Screw . . . . .	X	6
5	2451	Hole Plug . . . . .	X	2
6	B189-4	Deflector . . . . .	X	1
7	MS20470AD5*	Rivet . . . . .	X	2
8	A793-1*	Stop . . . . .	X	1
9	A366-2*	Stop (LH and RH) . . . . .	X	2
10	MS20470AD4*	Rivet . . . . .	X	4
11	A412-1*	Cover (LH) . . . . .	X	1

NOTES \* Installed on earlier R44s.

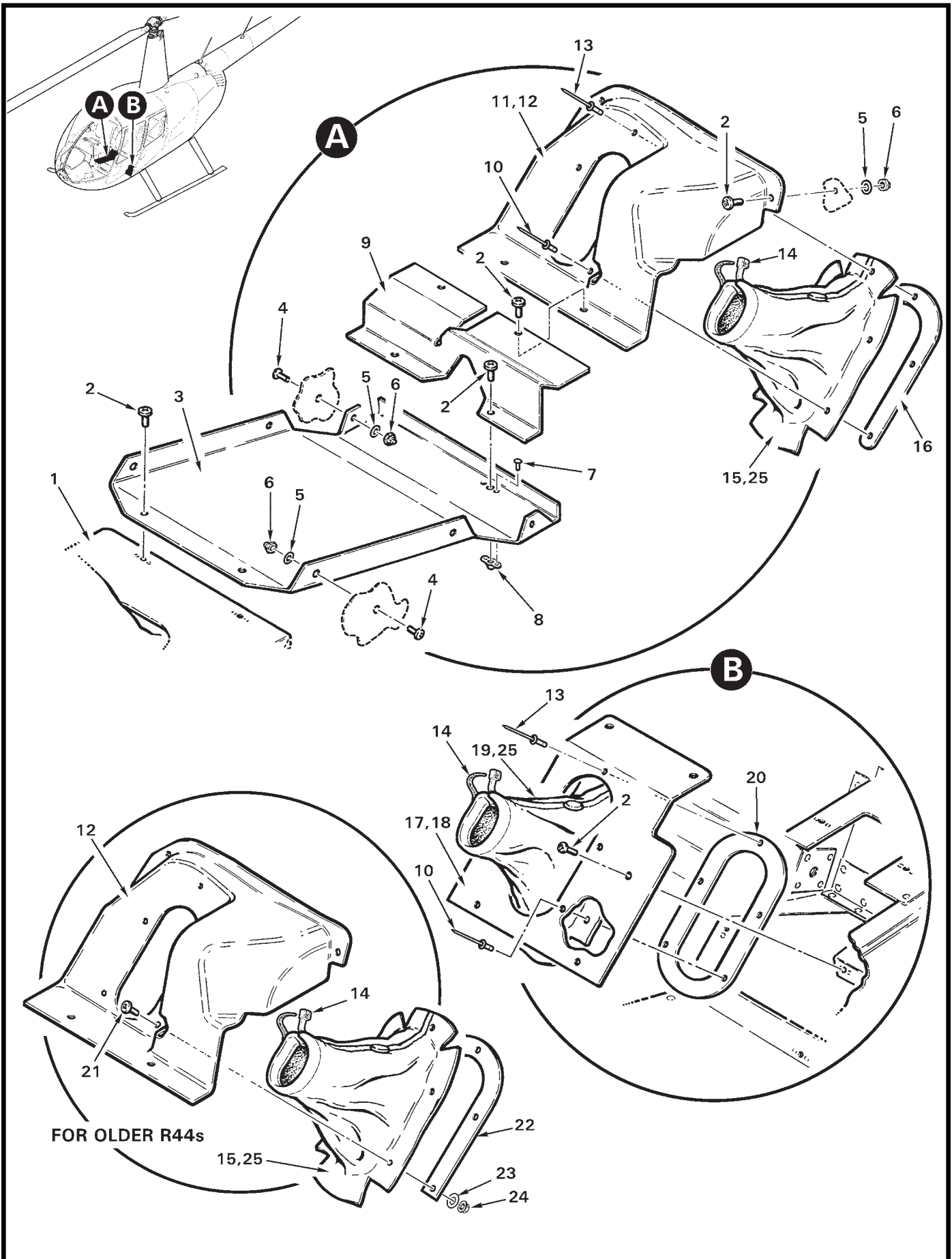


FIGURE AND INDEX NUMBER	PART NUMBER	DESCRIPTION	PARTS AVAIL	QTY PER ASSY
<b>ACCESS PANELS - FORWARD CABIN</b>				
6-5-1	C444	Cover - Cyclic (Ref, see Figure 67-1)		
2	MS27039C0806	Screw . . . . .	X	13
3	C445-1	Cover Assembly (Incl items 7 and 8) . . . . .	X	1
4	MS27039C0805	Screw . . . . .	X	6
5	NAS1149FN816P	Washer . . . . .	X	8
6	B340-4	Nut . . . . .	X	8
7	MS20426AD3	Rivet . . . . .	X	4
8	MS21069L08K	Nutplate . . . . .	X	2
9	C445-3	Cover (standard installation) . . . . .	X	1
	D672-1	Cover (Ref; pop-out float installation only, see Figure 32-11) . .		
10	B204-1	Rivet (blind) . . . . .	X	4
11	C680-5	Cover Assembly (Incl items 10, 12, 13, 15, 16, and 25) . . . . .	X	1
12	C398-1	Cover . . . . .	X	1
13	B204-2	Rivet (blind) . . . . .	X	1
14	MS3367-5-0	Ty-Rap . . . . .	X	1
15	A678-3	Boot Assembly (Incl item 14) . . . . .	O	1
16	C680-6	Ring . . . . .	X	1
17	C680-1	Cover Assembly (Incl items 10, 13, 18 thru 20, 22, and 25) . . .	X	1
18	C680-2	Cover (Ref) . . . . .	O	1
19	A678-1	Boot Assembly (Incl item 14) . . . . .	O	1
20	C680-3	Ring (Ref) . . . . .	O	1
21	MS27039C0806*	Screw . . . . .	X	5
22	A680-2	Ring . . . . .	X	1
23	NAS1149FN816P*	Washer . . . . .	X	5
24	MS21042L08	Nut . . . . .	X	5
25	B270-8	Adhesive . . . . .	X	A/R

**NOTES** \* For earlier R44s at this location.

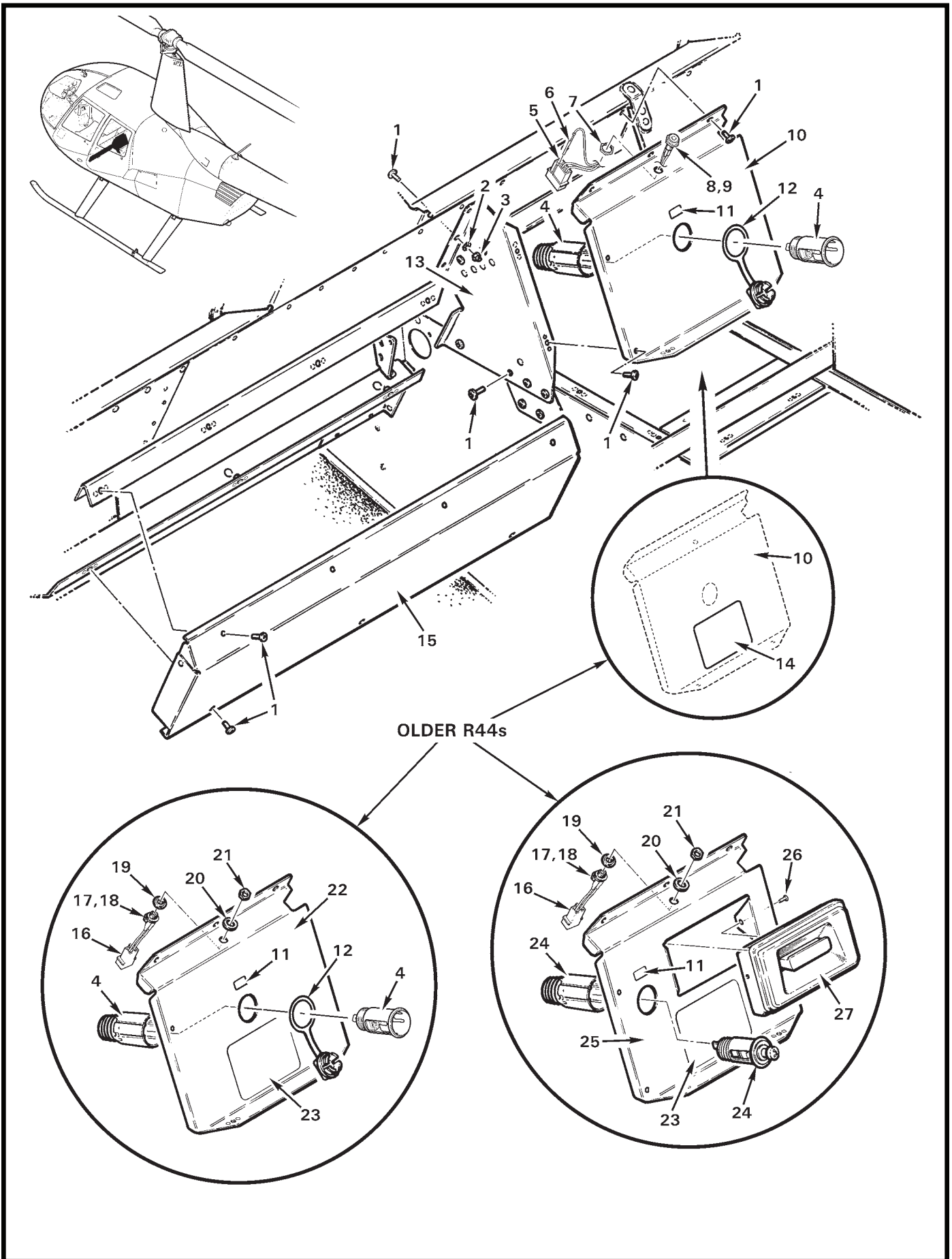




FIGURE AND INDEX NUMBER	PART NUMBER	DESCRIPTION	PARTS AVAIL	QTY PER ASSY
<b>ACCESS PANELS - MID CABIN</b>				
6-7-1	MS27039C0806	Screw . . . . .	X	21
2	NAS1149FN816P	Washer . . . . .	X	3
3	B340-4	Nut . . . . .	X	3
4	D692-4	Socket . . . . .	X	1
5	B263-14	Housing . . . . .	X	1
6	B263-1	Pin . . . . .	X	3
7	—	Nut . . . . .	O	1
8	161-7300-EX	Jack (Incl item 7) . . . . .	O	1
9	C049-14	Harness Assembly (stereo external audio input; includes items 6, 8, wires, and heat shrink, assembled) . . . . .	X	1
10	C054-2	Cover Assembly - Mid Tunnel (Incl items 4, 5, 9, and 12) . . . . .	X	1
11	C654-22	Decal - "28V" . . . . .	X	A/R
	C654-29	Decal - "14V" . . . . .	X	A/R
12	D692-3	Cover . . . . .	X	1
13	C356-1	Brace Assembly . . . . .	X	1
14	A654-84	Decal - "DANGER" (as required for earlier R44s) . . . . .	X	1
15	C461-1	Cover . . . . .	X	1
16	B263-12	Housing . . . . .	X	1
	B263-1	Pin . . . . .	X	2
17	41	Jack (Incl items 19 thru 21) . . . . .	X	1
18	C049-6	Harness Assembly (external audio input, earlier R44s; includes items 16 and 17, wires, and heat shrink, assembled) . . . . .	X	1
19	11-474-C	Washer . . . . .	X	1
20	11-444-C	Washer . . . . .	X	1
21	—	Nut . . . . .	O	1
22	C054-1	Cover Assembly - Mid Tunnel (Earlier R44s, C054-1 revision "F". Includes items 4, 12, 18, and 23.) . . . . .	X	1
23	A643-84	Decal - "DANGER" . . . . .	X	1
24	D692-1	Lighter (14-volt ships) . . . . .	X	1
	208392*	Lighter (28-volt ships; Ref, supersedes D692-2. No longer available.)		
25	C054-1	Cover Assembly - Mid Tunnel (Earlier R44s, C054-1 revision "E" and earlier. No longer available.)		

NOTES \* Casco Products Corporation part no.

Continues

FIGURE AND INDEX NUMBER	PART NUMBER	DESCRIPTION	PARTS AVAIL	QTY PER ASSY
ACCESS PANELS - MID CABIN (Cont'd)				
6-7-26 27	MS20470AD3 S1052-1	Rivet ..... Ashtray (Ref, no longer available)	X	2
NOTES				

Intentionally Blank

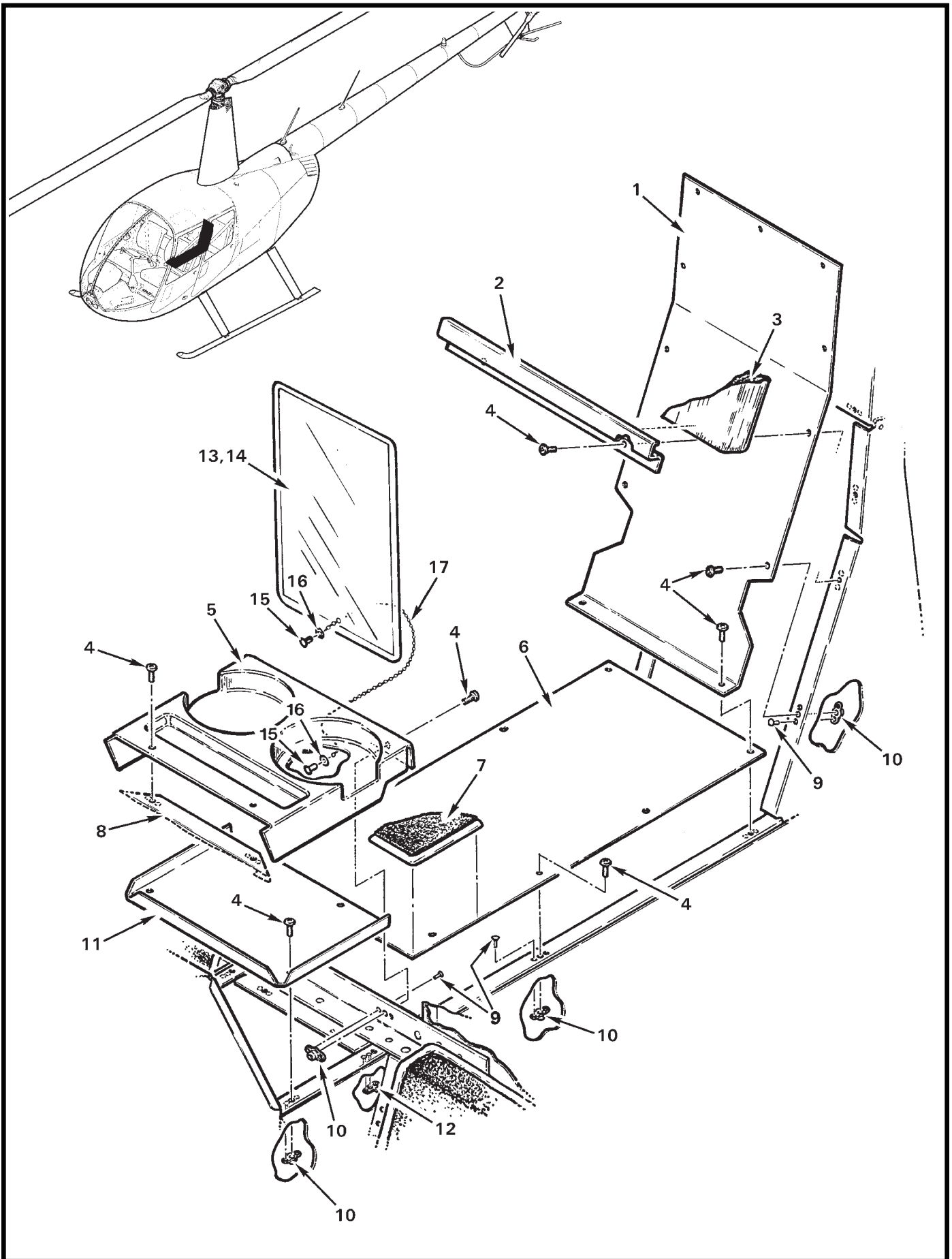


FIGURE AND INDEX NUMBER	PART NUMBER	DESCRIPTION	PARTS AVAIL	QTY PER ASSY
<b>ACCESS PANELS - AFT CABIN</b>				
6-11-1	C474-1	Cover . . . . .	X	1
2	C474-3	Trim . . . . .	X	1
3	C003-2 or -18	Insulation (Ref, see Figure 25-23)		
4	MS27039C0806	Screw . . . . .	X	26
5	C464-1	Tray . . . . .	X	1
6	C474-2	Cover . . . . .	X	1
7	C469-8	Carpet Assembly (Ref, see Figure 25-19)		
8	C054	Cover Assembly (Ref, see Figure 6-7)		
9	MS20426AD3	Rivet (flush head) . . . . .	X	50
10	MS21069L08	Nutplate . . . . .	X	23
11	C463-1	Cover . . . . .	X	1
12	MS21071L08	Nutplate . . . . .	X	2
13	MT598-2*	Passenger Safety Card Assembly (Incl items 14 thru 17) . . . . .	X	1
14	MT598-1	Card - Passenger Safety (laminated; card only) . . . . .	X	1
15	3606T141	Retainer Sleeve . . . . .	X	2
16	NAS620-5	Washer . . . . .	X	2
17	3606T11	Bead Chain (9.00 inch length) . . . . .	X	A/R

NOTES \* Optional.

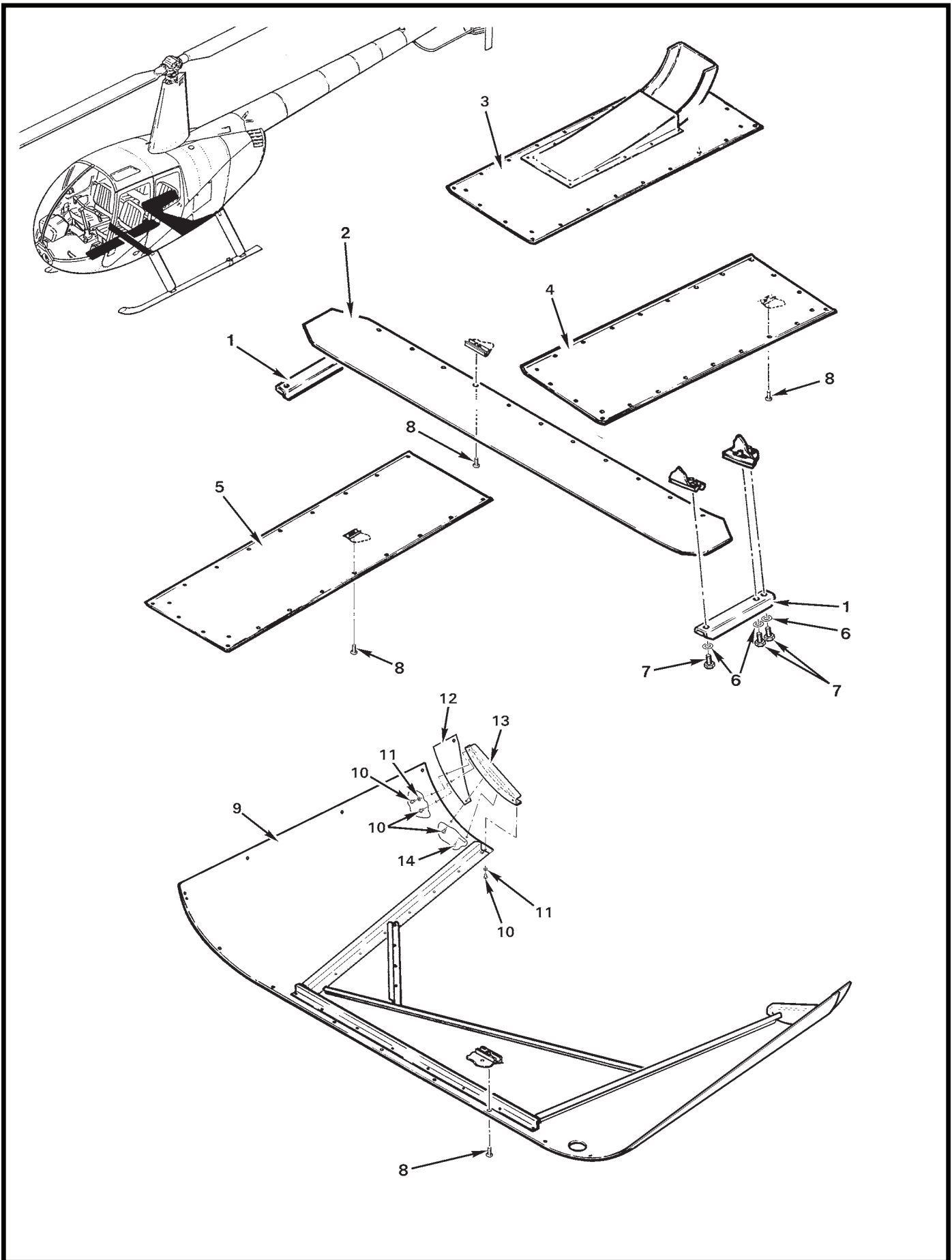


FIGURE AND INDEX NUMBER	PART NUMBER	DESCRIPTION	PARTS AVAIL	QTY PER ASSY
<b>ACCESS PANELS – BELLY</b>				
6-13-1	C388-3	Channel . . . . .	X	2
2	C475-5	Cover . . . . .	X	1
3	C794-3	Panel Assembly (with air inlet) . . . . .	X	1
4	C794-2	Panel Assembly . . . . .	X	1
5	C794-1	Panel . . . . .	X	1
6	NAS1149F0332P	Washer . . . . .	X	6
7	NAS6603-4	Bolt . . . . .	X	6
8	MS27039C0806	Screw . . . . .	X	68
9	D041-1	Cowling Assembly – Belly . . . . .	X	1
10	MS20470AD4	Rivet . . . . .	X	8
11	NAS620-5	Washer . . . . .	X	4
12	D312-5	Doubler (RH and LH) . . . . .	X	2
13	D312-6	Rib (RH and LH) . . . . .	X	2
14	MS20470AD3	Rivet . . . . .	X	2

NOTES

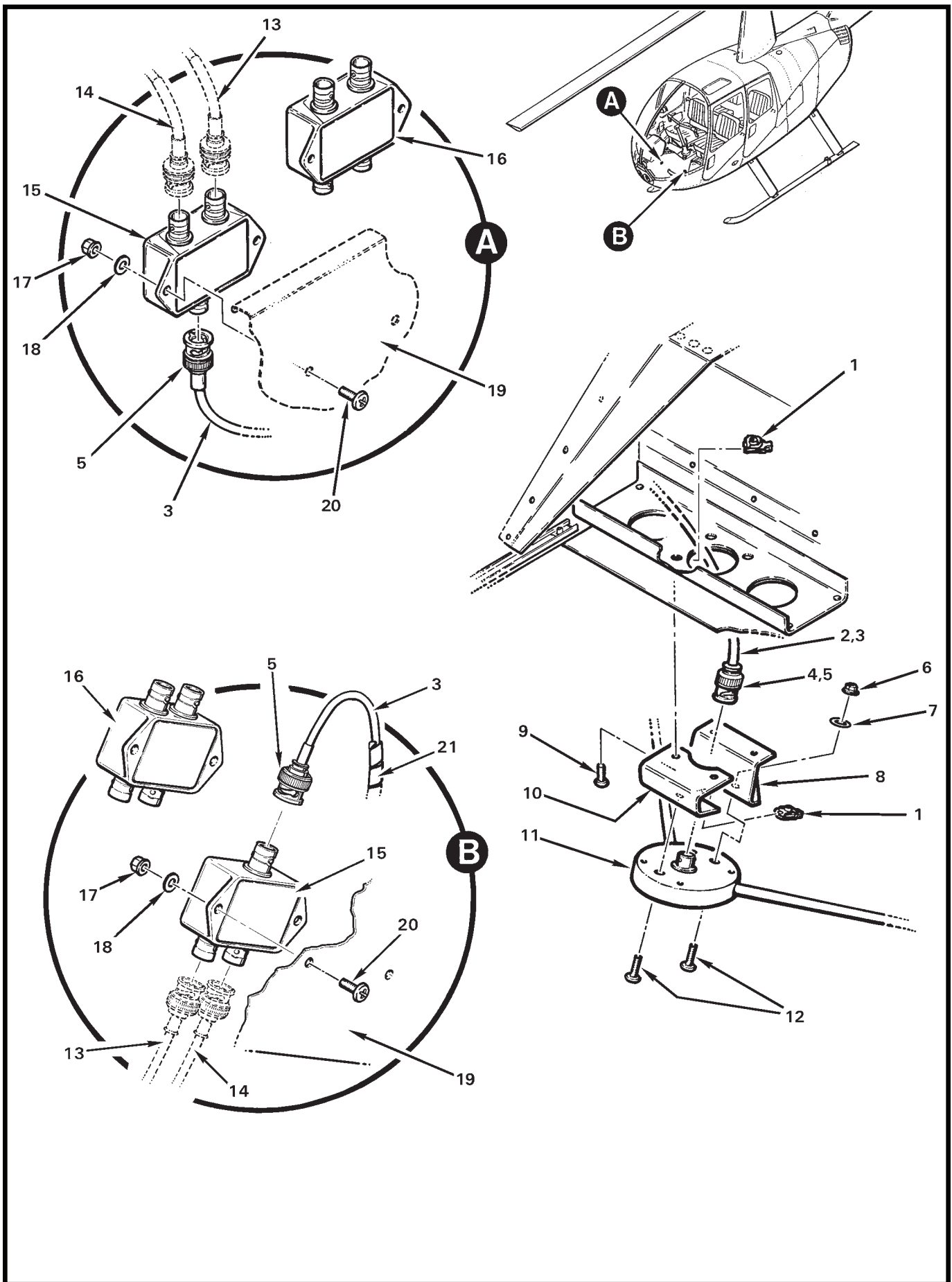




FIGURE AND INDEX NUMBER	PART NUMBER	DESCRIPTION	PARTS AVAIL	QTY PER ASSY
<b>NAV ANTENNA INSTALLATION</b>				
6-15-1	B162-4	Clipnut . . . . .	X	4
2	C850-240	Cable (antenna to radio) . . . . .	X	1
3	C850-1844	Cable (antenna to item 15 or 16) . . . . .	X	1
4	5225395-1	Plug (use with item 2) . . . . .	X	1
5	5225395-6	Plug (use with item 3) . . . . .	X	A/R
6	MS21042L3	Nut . . . . .	X	2
7	NAS1149F0332P	Washer . . . . .	X	2
8	B159-2	Bracket . . . . .	X	1
9	MS27039C1-07	Screw . . . . .	X	4
10	B159-1	Bracket . . . . .	X	1
11	CI 259E*	Antenna (NAV) . . . . .	X	1
12	MS27039C1-12	Screw . . . . .	X	2
13	A806-213	Cable (Ref, to radio; NAV)		
14	A806-208	Cable (Ref, to radio; GS)		
15	CI 507*	Diplexer . . . . .	X	1
16	CI 505*	Dual Diplexer (used only with two NAV receivers and glideslope) . . . . .	X	1
17	MS21042L08	Nut . . . . .	X	2
18	NAS1149FN816P	Washer . . . . .	X	2
19	C359-1	Console Panel – LH (Ref)		
20	MS27039C0806	Screw . . . . .	X	2
21	B161-4	Spirap . . . . .	X	A/R

NOTES \* Comant Industries part no.

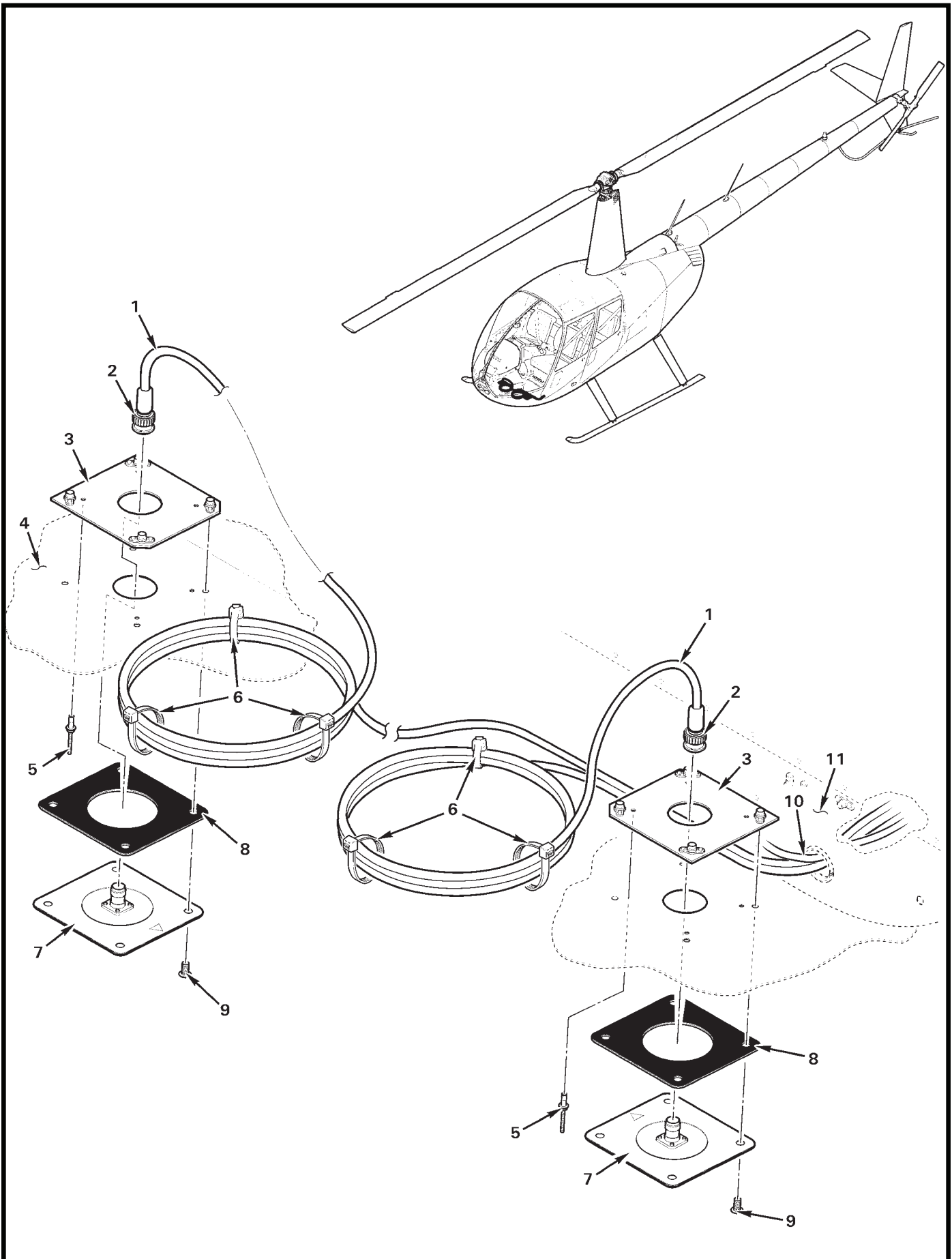


FIGURE AND INDEX NUMBER	PART NUMBER	DESCRIPTION	PARTS AVAIL	QTY PER ASSY
<b>RADAR ALTIMETER ANTENNAS</b>				
6-17-1	—	Cable (to Radar Altimeter; do not alter length) . . . . .	O	1
2	0129-0017-00	Connector (TNC) . . . . .	O	2
3	B420-1	Plate Assembly . . . . .	X	2
4	C272	Chin (Ref)		
5	NAS9302B-4-02	Rivet (or NAS1921B04S02) . . . . .	X	8
6	MS3367-5-9	Ty-Rap . . . . .	X	A/R
7	9-1203-115-00*	Antenna (Incl items 8 and 9) . . . . .	O	2
8	—	Gasket . . . . .	O	2
9	—	Screw (alternate part no. MS24694-S51) . . . . .	O	8
10	—	Cable (wire no. 1329, to indicator; Ref)		
11	D230	Bulkhead (Ref)		

NOTES \* Free Flight Systems part no.; contact manufacturer to replace component.

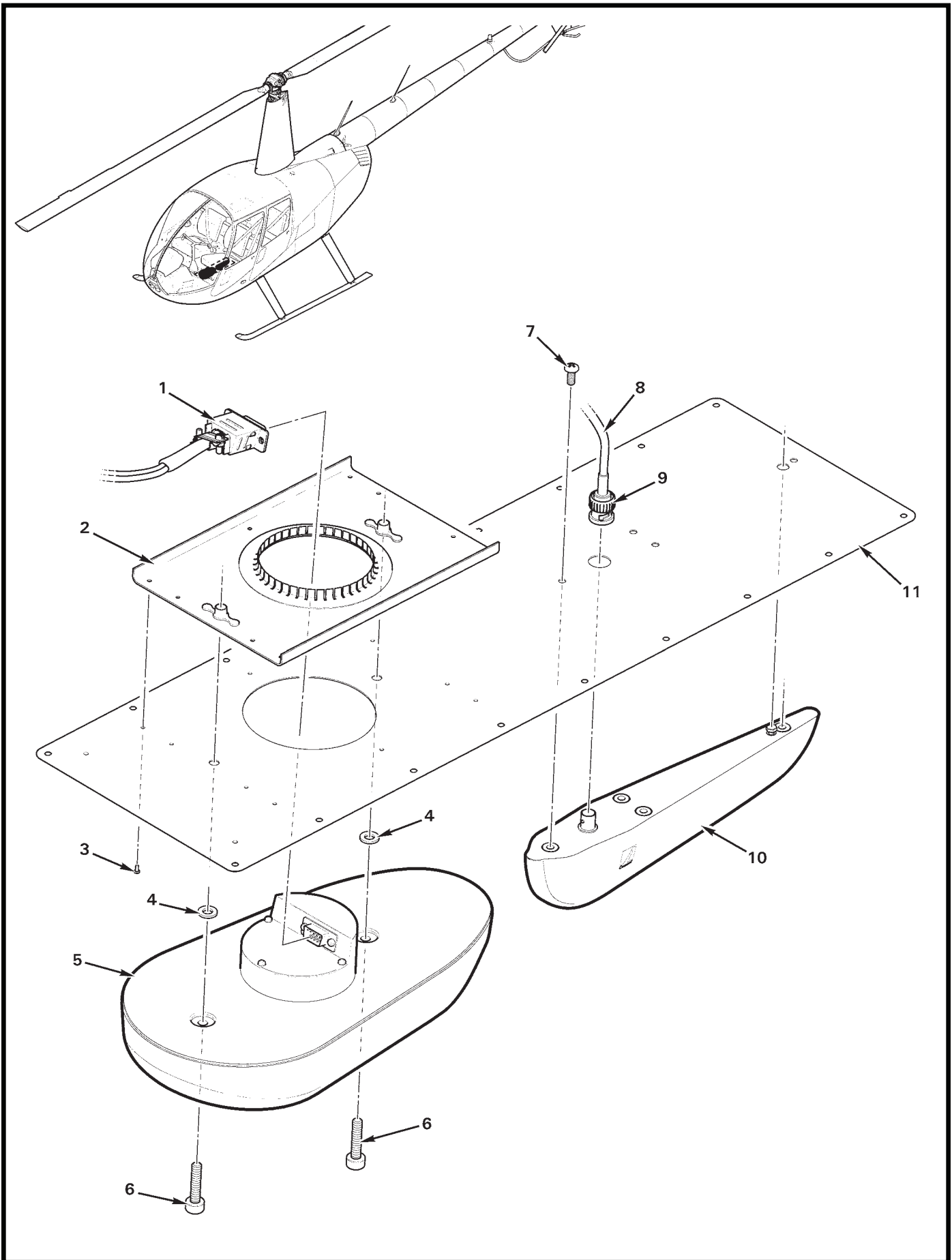


FIGURE AND INDEX NUMBER	PART NUMBER	DESCRIPTION	PARTS AVAIL	QTY PER ASSY
<b>ADF/MARKER BEACON ANTENNAS</b>				
6-19-1	200-2586-00	Cable Assembly . . . . .	O	1
2	047-04956-0003	Doubler Plate . . . . .	O	1
3	MS20470AD3	Rivet . . . . .	X	10
4	NAS1149F0463P	Washer . . . . .	X	2
5	KA44B*	Antenna – ADF (Ref, includes item 1, 2, and 6)		
6	C89-05534-0020	Screw . . . . .	O	2
7	MS27039C1-07	Screw (install using item 12 on threads) . . . . .	X	4
8	C850-210	Cable (Ref)		
9	5225395-6	Plug . . . . .	X	1
10	CI 102**	Antenna – Marker Beacon . . . . .	X	1
11	C794-1	Panel (Ref)		
12	B270-11	Adhesive (1.69-oz bottle) . . . . .	X	A/R

NOTES \* King Radio Corp part no.  
 \*\* Comant Industries part no.

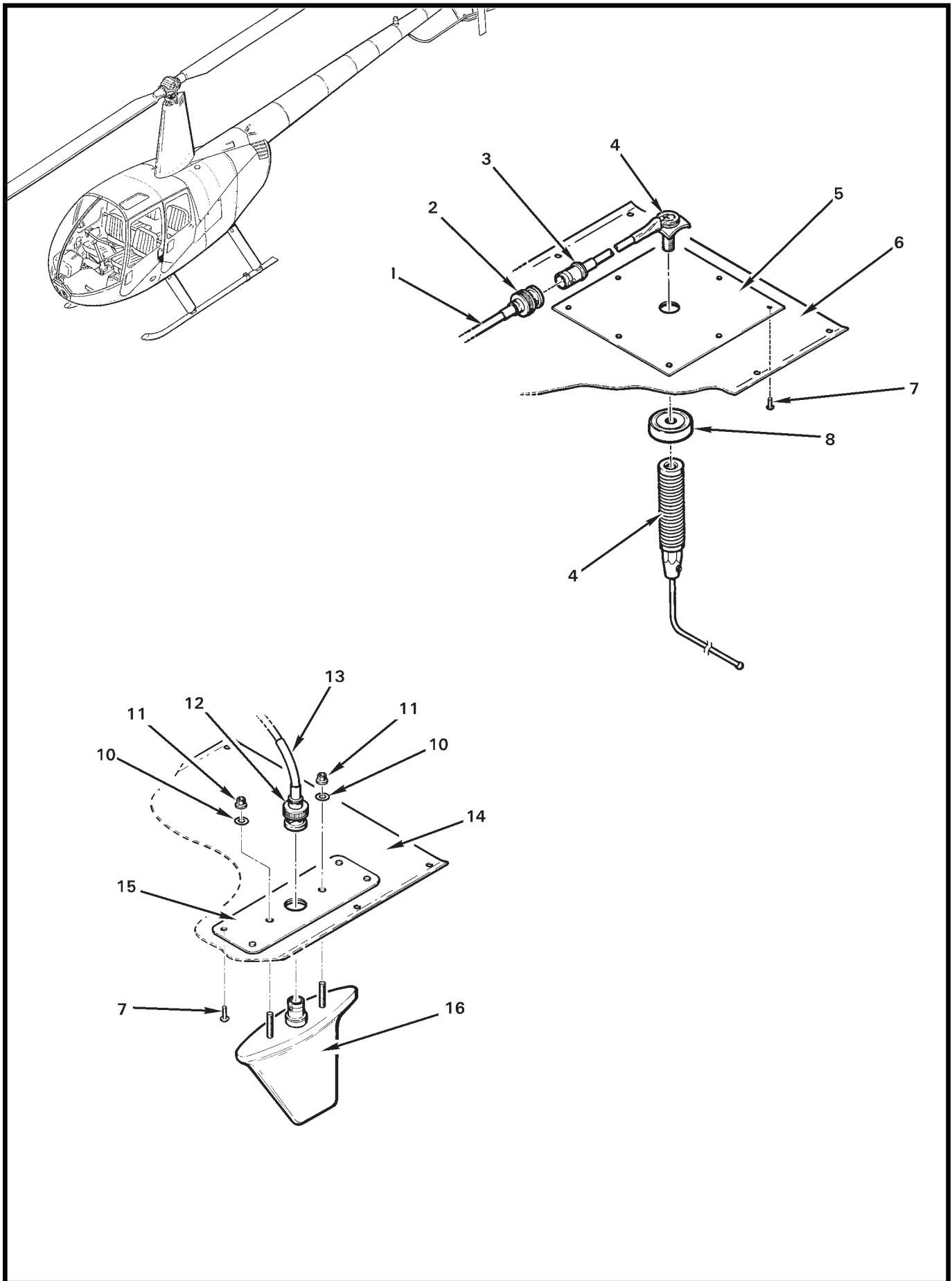


FIGURE AND INDEX NUMBER	PART NUMBER	DESCRIPTION	PARTS AVAIL	QTY PER ASSY
<b>FM/DME ANTENNAS</b>				
6-21-1	C850-943	Cable (Ref)		
2	225395-1*	Plug . . . . .	X	1
3	225396-1*	Jack . . . . .	X	1
4	LMWBQK	Antenna - FM (includes item 8; install using item 9 on threads) . .	X	1
5	A830-3	Doubler . . . . .	X	1
6	C794-1	Panel (Ref)		
7	MS20470AD3	Rivet . . . . .	X	1
8	—	Spacer . . . . .	O	1
9	B270-11	Adhesive (1.69-oz bottle) . . . . .	X	A/R
10	NAS1149FN816P	Washer . . . . .	X	2
11	MS21042L08	Nut . . . . .	X	2
12	225395-6*	Plug . . . . .	X	1
13	C850-452	Cable (Ref)		
14	C794-3	Panel (Ref)		
15	B10567	Doubler . . . . .	O	1
16	CI-105-16*	Antenna - DME (alternate part no. KA 60**) . . . . .	X	1

NOTES \* Comant Industries part no.  
 \*\* Honeywell Bendix/King part no.

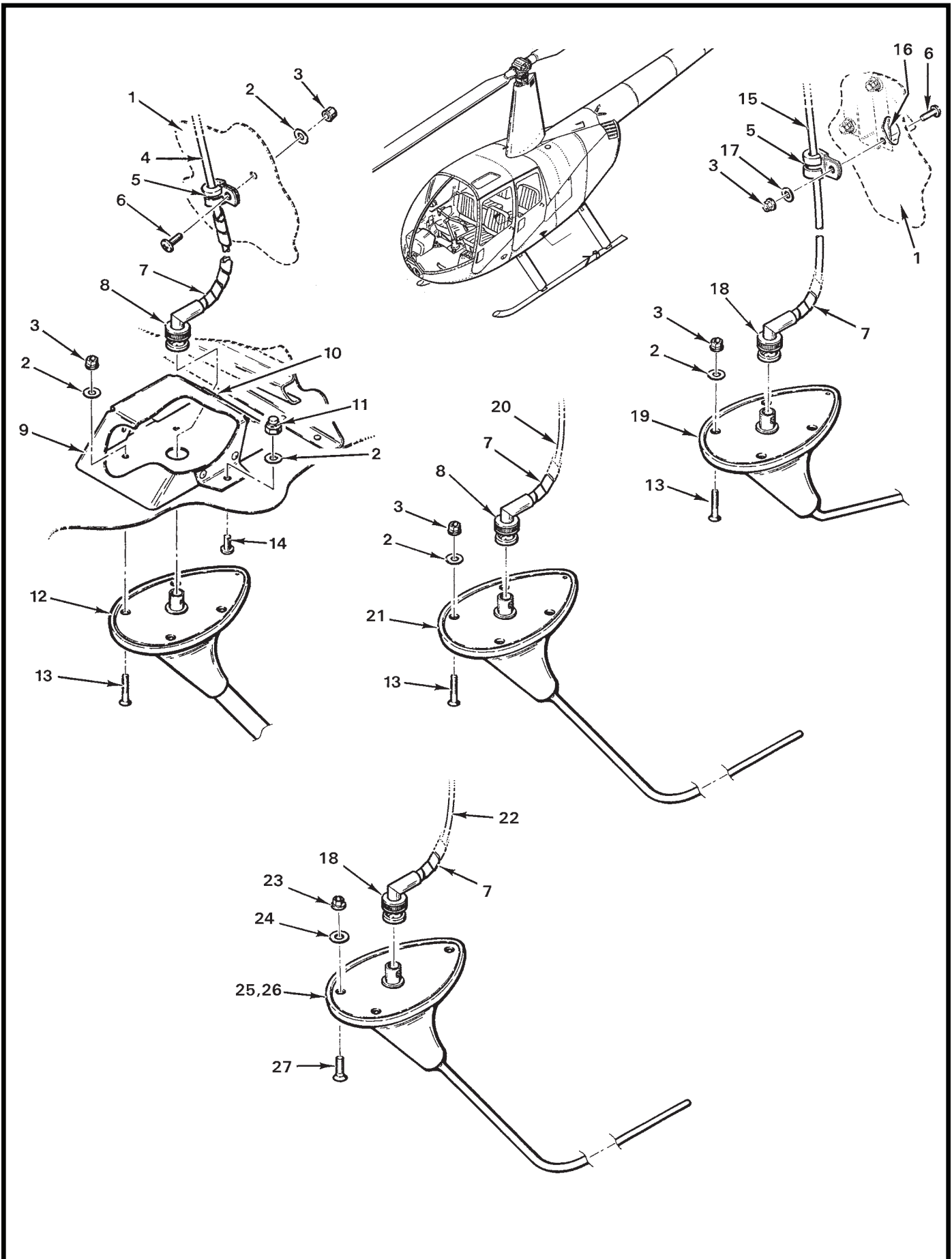




FIGURE AND INDEX NUMBER	PART NUMBER	DESCRIPTION	PARTS AVAIL	QTY PER ASSY
<b>AFT BELLY ANTENNAS</b>				
6-23-1	—	Firewall (vertical; Ref)		
2	NAS1149FN816P	Washer . . . . .	X	A/R
3	MS21042L08	Nut . . . . .	X	6
4	C850-1012	Wire (Ref)		
5	MS21919WDG3	Clamp . . . . .	X	1
6	MS27039C0806	Screw . . . . .	X	1
7	B161-4	Spirap . . . . .	X	1
8	225973-4	Plug . . . . .	X	1
9	D384-2	Cover . . . . .	X	1
10	NAS557-8A	Grommet . . . . .	X	1
11	B340-4	Nut . . . . .	X	2
12	CI 177	Antenna - FM (148-174 MHz) . . . . .	X	1
	CI 177-1	Antenna - FM (138-174 MHz) . . . . .	X	1
	CI 177-20	Antenna - FM (450-470 MHz) . . . . .	X	1
13	MS24694-C7	Screw . . . . .	X	4
14	MS27039C0805	Screw . . . . .	X	2
15	C850-1395	Cable (Ref)		
16	A454-1	Support - Gascolator (Ref, see also Figure 28-1)		
17	NAS1149FN832P	Washer . . . . .	X	1
18	225974-1	Plug . . . . .	X	1
19	CI 222	Antenna - AM/FM (RH mount, non-ENG ships. 88-108 MHz, 550-1600 kHz.) . . . . .	X	1
20	C850-1214	Cable (Ref)		
21	CI 122	Antenna - Com (118-136 MHz) . . . . .	X	1
22	C850-941	Cable (Ref, LH antenna installation)		
	C850-942	Cable (Ref, RH antenna installation)		
	C850-1415	Cable (Ref; used with item 26)		
23	MS21042L3	Nut . . . . .	X	3
24	NAS1149F0332P	Washer . . . . .	X	3
25	CI 292-3	Antenna - FM (RH or LH mount, 138-174 MHz; supersedes DMC-63-3-A antenna.) . . . . .	X	1
26	D721-1	Antenna - FM (LH mount, 220-225 MHz) . . . . .	X	1
27	MS24694-S51	Screw . . . . .	X	3

NOTES

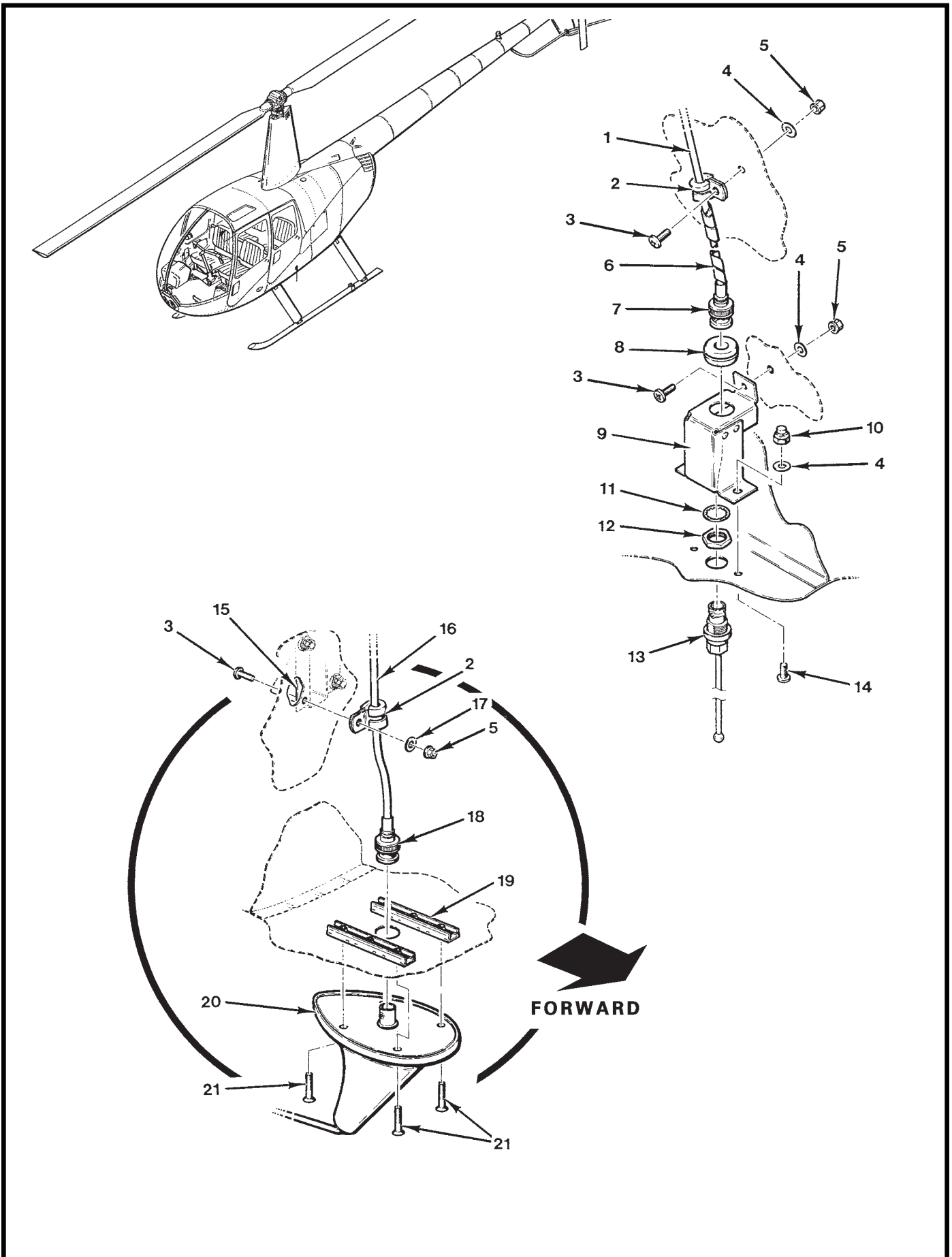


FIGURE AND INDEX NUMBER	PART NUMBER	DESCRIPTION	PARTS AVAIL	QTY PER ASSY
<b>AFT BELLY ANTENNAS</b>				
6-25-1	C850-1012	Cable (Ref)		
2	MS21919WDG3	Clamp . . . . .	X	1
3	MS27039C0806	Screw . . . . .	X	2
4	NAS1149FN816P	Washer . . . . .	X	4
5	MS21042L08	Nut . . . . .	X	1
6	B161-4	Spirap . . . . .	X	A/R
7	225395-6	Plug . . . . .	X	1
8	MS35489-40	Grommet . . . . .	X	1
9	D563-1	Cover . . . . .	X	1
10	B340-4	Nut . . . . .	X	1
11	—	Nut (Ref) . . . . .	O	1
12	—	Washer (Ref) . . . . .	O	1
13	CI 273	Antenna - FM (403-512 MHz, includes items 11 and 12) . . . . .	X	1
14	MS27039C0805	Screw . . . . .	X	2
15	A454-1	Support (Ref, see also Figure 28-1)		
16	C850-1219	Cable (Ref)		
17	NAS1149FN832P	Washer . . . . .	X	1
18	225395-1	Plug . . . . .	X	1
19	A738-21	Gang Channel (Ref)		
20	CI 122	Antenna - AM/FM (RH mount, ENG ships. 88-108 MHz/550-1600 kHz.) . . . . .	X	1
21	MS24694-C7	Screw . . . . .	X	4

NOTES

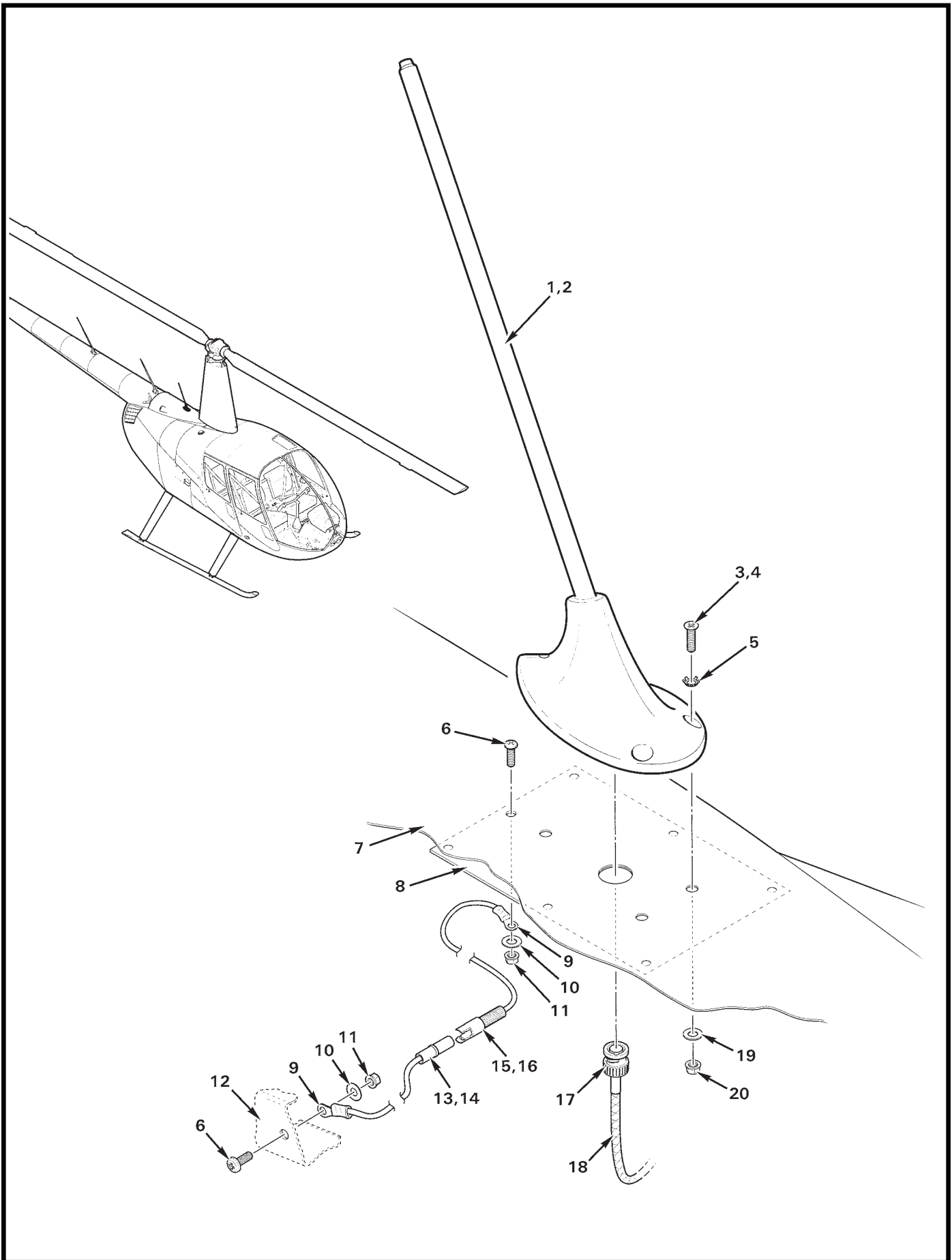


FIGURE AND INDEX NUMBER	PART NUMBER	DESCRIPTION	PARTS AVAIL	QTY PER ASSY
<b>KANNAD ELT ANTENNA INSTALLATION</b>				
6-27-1	AV-300	Antenna (install using item 2) . . . . .	O	1
	1327-82*	Antenna (not shown; install using item 2) . . . . .	O	1
2	B270-1	Sealant (2-oz tube) . . . . .	X	A/R
3	24-84-5	Screw (Ref; supplied with item 1 [AV-300]) . . . . .	O	3
	MS24694-C51	Screw . . . . .	X	3
4	B270-4	Sealant . . . . .	X	A/R
5	11-33-2	Lockwasher (supplied with item 1) . . . . .	O	3
6	MS27039C0806	Screw . . . . .	X	2
7	C706-1	Tailcone Cowling (Ref)		
8	A837-2	Doubler . . . . .	X	1
9	B260-3	Terminal . . . . .	X	2
10	NAS1149FN816P	Washer . . . . .	X	2
11	MS21042L08	Nut . . . . .	X	2
12	C245-1	Channel (Ref)		
13	C049-16	Harness Assembly (includes items 9 thru 11, 14, and wire) . . .	X	1
14	B263-11	Housing . . . . .	X	1
	B263-2	Socket . . . . .	X	1
15	C049-15	Harness Assembly (includes items 9 thru 11, 16, and wire) . . .	X	1
16	B263-10	Housing . . . . .	X	1
	B263-1	Pin . . . . .	X	1
17	225395-6*	Plug . . . . .	X	1
18	B274-518	Cable – Coaxial . . . . .	X	A/R
19	NAS1149F0316P	Washer . . . . .	X	3
20	MS21042L3	Nut . . . . .	X	3

NOTES \* Kannad part no.

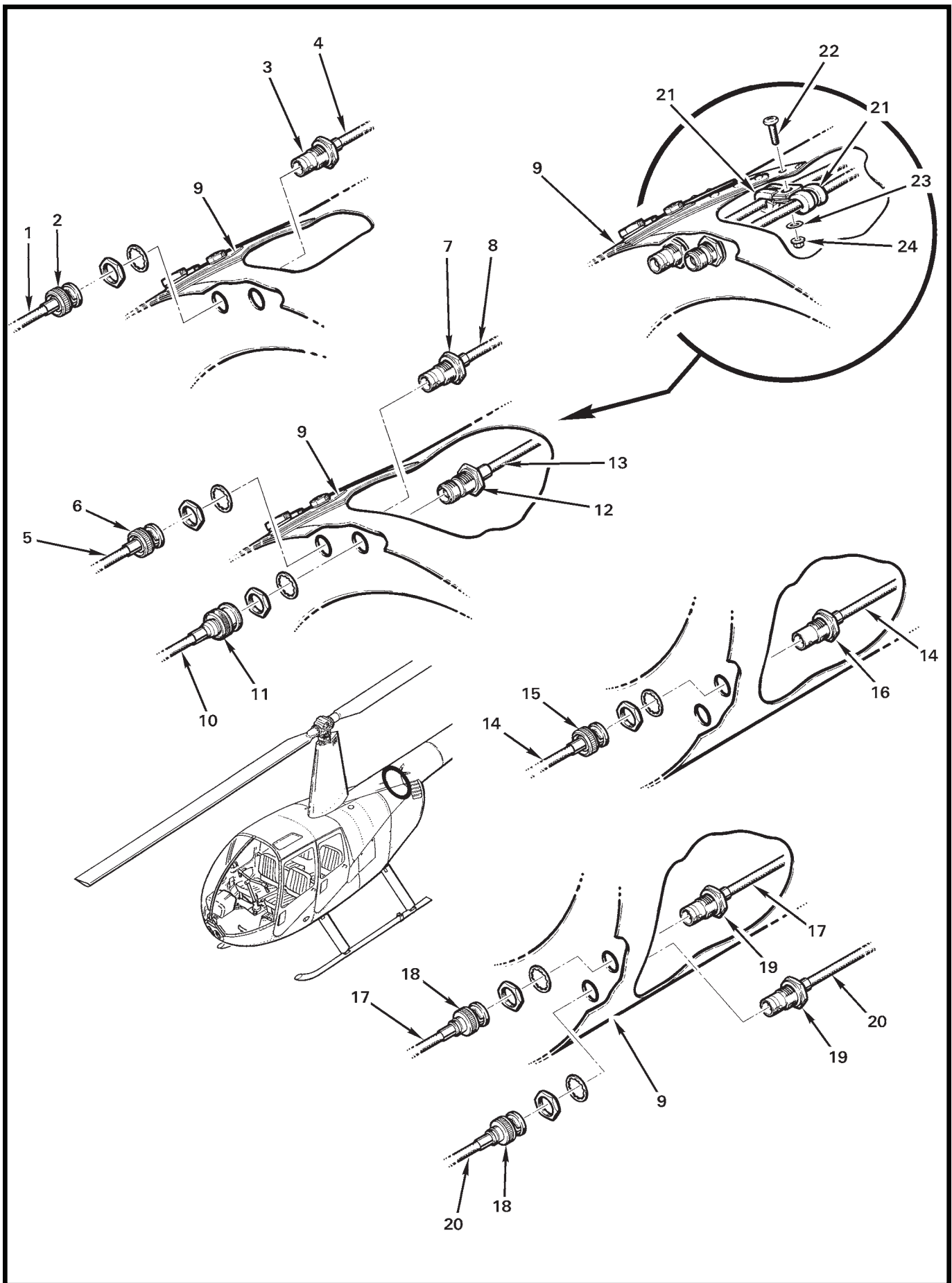


FIGURE AND INDEX NUMBER	PART NUMBER	DESCRIPTION	PARTS AVAIL	QTY PER ASSY
<b>TAILCONE ANTENNA CABLE CONNECTORS</b>				
6-29-1	C850-1317	Cable – Coaxial (FM or Com*) . . . . .	X	A/R
2	5225395-6	Plug (FM or Com*) . . . . .	X	1
3	5225398-6	Bulkhead Jack** (FM or Com*) . . . . .	X	1
4	B274-518	Cable – Coaxial (FM or Com*) . . . . .	X	A/R
5	C850-212	Cable – Coaxial (Com) . . . . .	X	A/R
6	5225395-1	Plug (Com) . . . . .	X	1
7	5225398-1	Bulkhead Jack** (Com) . . . . .	X	1
8	B274-520	Cable – Coaxial (Com) . . . . .	X	A/R
9	C023	Tailcone (Ref)		
10	C850-468	Cable – Coaxial (GPS) . . . . .	X	A/R
11	5225555-6	Plug (GPS) . . . . .	X	1
12	5225557-6	Bulkhead Jack** (GPS) . . . . .	X	1
13	B274-518	Cable – Coaxial (GPS) . . . . .	X	A/R
14	C023-1013	Cable – Coaxial* (VHF) . . . . .	X	A/R
15	221185-2	Plug (VHF) . . . . .	X	1
16	221221-2	Bulkhead Jack** (VHF) . . . . .	X	1
17	C023-822	Cable – Coaxial (FM, lower aft tailcone installation for Police ships) . . . . .	X	A/R
18	5225395-6	Plug (FM) . . . . .	X	A/R
19	5225398-6	Bulkhead Jack** (FM) . . . . .	X	A/R
20	C023-821	Cable – Coaxial (FM, lower forward tailcone installation for Police and ENG ships) . . . . .	X	A/R
21	MS21919WDG3	Clamp . . . . .	X	A/R
22	MS27039C0809	Screw . . . . .	X	1
23	NAS1149FN816P	Washer . . . . .	X	1
24	MS21042L08	Nut . . . . .	X	1

NOTES \* ENG ships.  
 \*\* Includes washer and nut as shown.

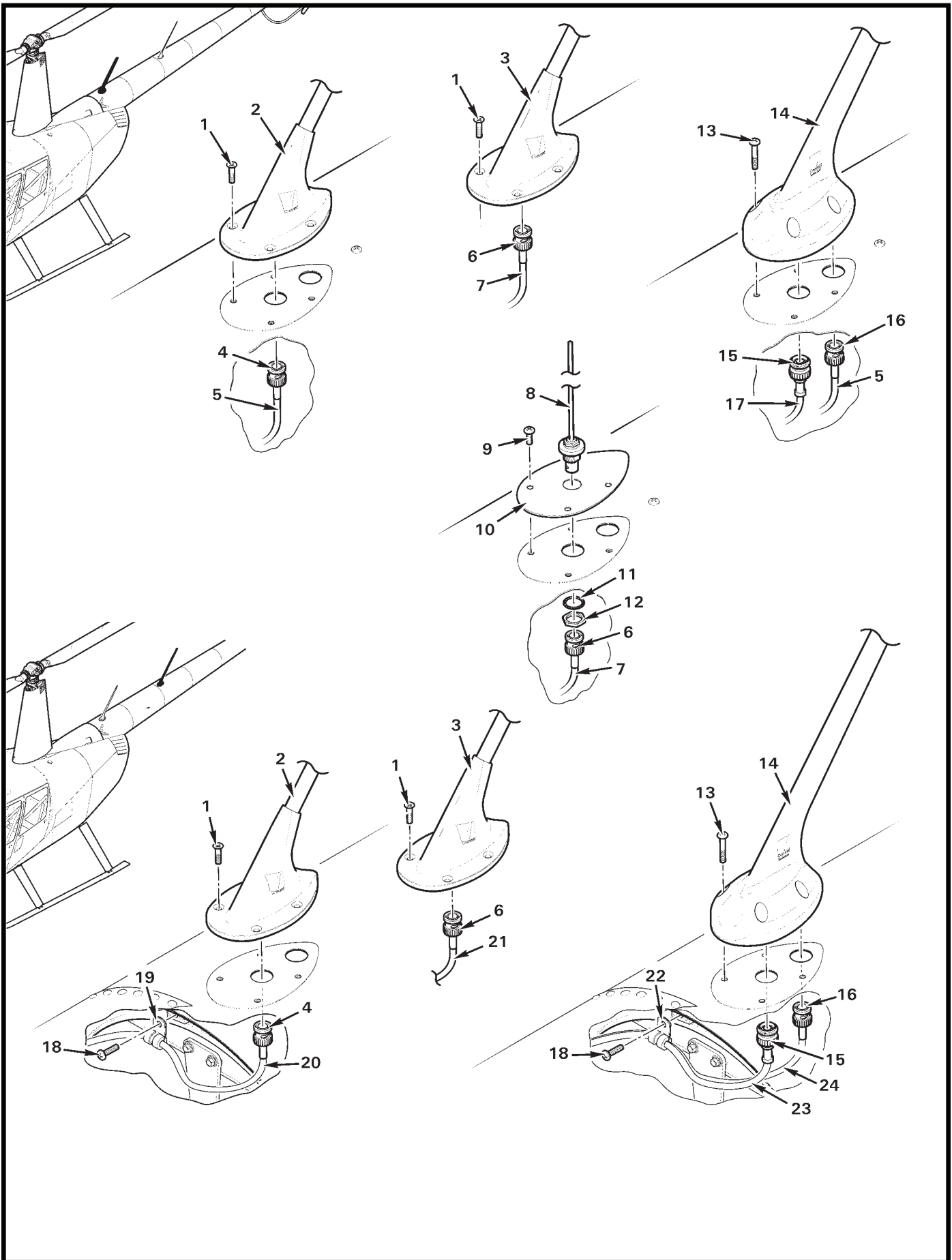




FIGURE AND INDEX NUMBER	PART NUMBER	DESCRIPTION	PARTS AVAIL	QTY PER ASSY
<b>UPPER TAILCONE ANTENNAS</b>				
6-31-1	MS24694-C7	Screw . . . . .	X	4
2	CI 121*	Antenna – Com (118–156 MHz; install using item 25 around screw heads and holes. Alternate part no. CI-248-5*.) . . . . .	X	1
3	CI 177*	Antenna – FM (148–174 MHz; install using item 25 around screw heads and holes) . . . . .	X	1
	CI 177-1*	Antenna – FM (138–174 MHz) . . . . .	X	1
	CI 177-20*	Antenna – FM (450–470 MHz) . . . . .	X	1
4	5225395-1	Plug . . . . .	X	1
5	C850-212	Cable . . . . .	X	A/R
6	5225395-6	Plug . . . . .	X	1
7	C850-1213	Cable (Ref; fwd antenna)		
	C850-1317	Cable (Ref; aft antenna)		
8	CI 271*	Antenna – FM (403–512 MHz; includes items 11 and 12, FWD or AFT location) . . . . .	X	1
	CI 272-1*	Antenna – FM (403–512 MHz; includes items 11 and 12, FWD or AFT location) . . . . .	X	1
	CI 273*	Antenna – FM (403–512 MHz; includes items 11 and 12, FWD or AFT location) . . . . .	X	1
	CI 306*	Antenna – FM (800–870 MHz; includes items 11 and 12, FWD location only) . . . . .	X	1
9	MS27039C0806	Screw . . . . .	X	4
10	B322-4	Cover . . . . .	X	1
11	—	Washer . . . . .	O	1
12	—	Nut . . . . .	O	1
13	MS27039C0813	Screw . . . . .	X	4
14	CI-2580-200*	Antenna – Com/GPS (supersedes CI-4510-7C; install using item 25 around screw heads and holes) . . . . .	X	1
15	5225555-6	Plug (GPS) . . . . .	X	1
16	5225395-1	Plug (Com, standard) . . . . .	X	1
	5225395-6	Plug (Com, ENG/Police ships) . . . . .	X	1
17	C850-468	Cable (Ref)		
18	MS27039C0810	Screw . . . . .	X	1
19	MS21919WDG3	Clamp . . . . .	X	1
20	B274-520	Cable . . . . .	X	A/R
21	B274-518	Cable . . . . .	X	A/R
22	MS21919WDG6	Clamp . . . . .	X	1
23	B274-518	Cable (GPS) . . . . .	X	A/R

NOTES \* Comant Industries part no.

Continues

FIGURE AND INDEX NUMBER	PART NUMBER	DESCRIPTION	PARTS AVAIL	QTY PER ASSY
UPPER TAILCONE ANTENNAS (Cont'd)				
6-31-24	B274-520	Cable (Ref; Com, standard)		
	B274-518	Cable (Ref; Com, ENG/Police ships)		
25	B270-4	Sealant . . . . .	X	A/R

NOTES \* Comant Industries part no.

Intentionally Blank

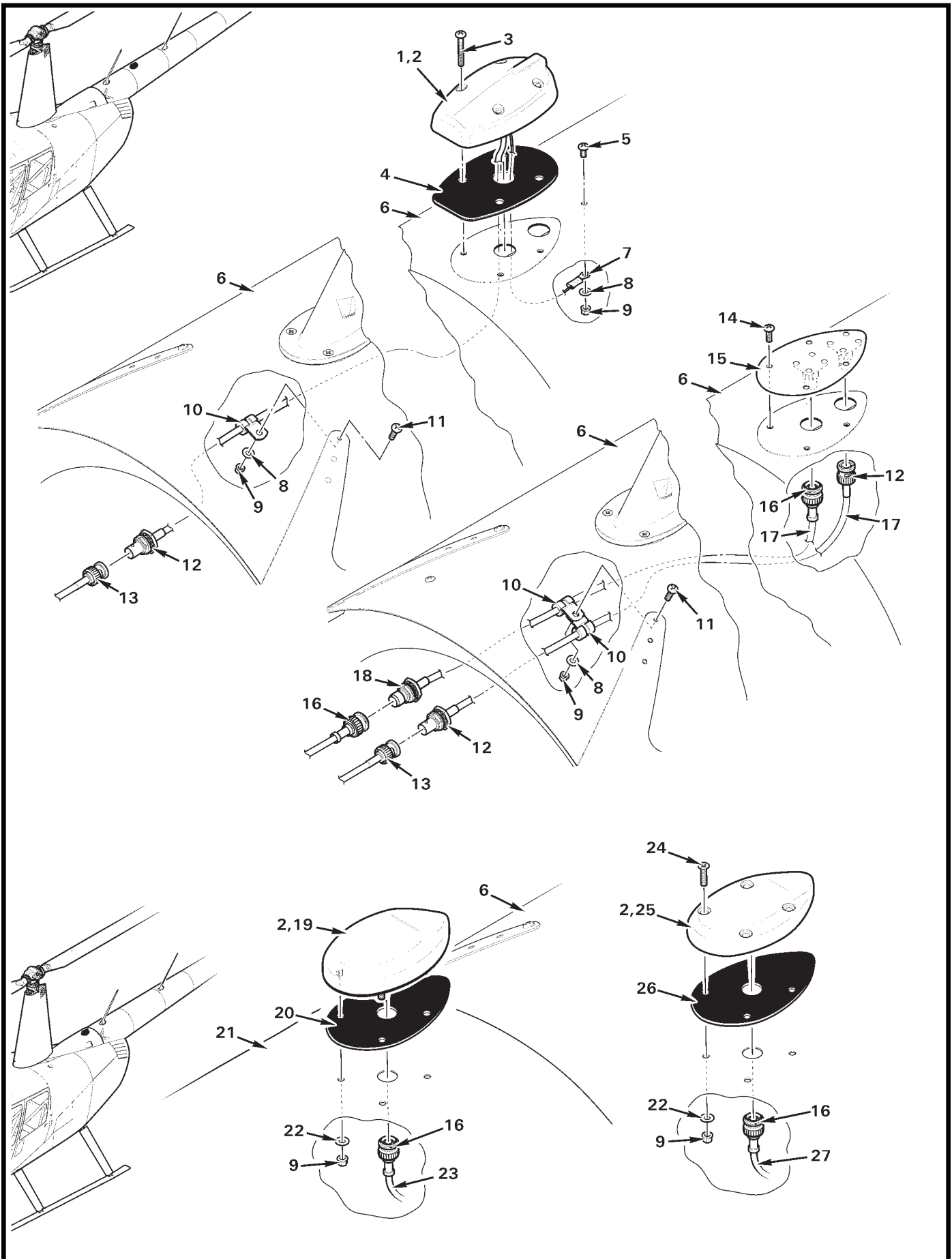


FIGURE AND INDEX NUMBER	PART NUMBER	DESCRIPTION	PARTS AVAIL	QTY PER ASSY
<b>UPPER TAILCONE ANTENNAS</b>				
6-35-1	921-00003-001	Antenna – RSM/GPS (install using item 2; install using item 28 on screw heads and holes; includes items 3 and 4) . . . . .	X	1
2	B270-1	Sealant . . . . .	X	A/R
3	—	Screw . . . . .	O	4
4	—	Gasket . . . . .	O	1
5	MS27039C0805	Screw . . . . .	X	1
6	C023	Tailcone Assembly (Ref)		
7	B260-3	Terminal . . . . .	X	1
8	NAS1149FN816P	Washer . . . . .	X	2
9	MS21042L08	Nut (on optional antenna provisions [1]) . . . . .	X	2
10	MS21919WDG3	Clamp (on optional antenna provisions [2]) . . . . .	X	1
11	MS27039C0808	Screw . . . . .	X	1
12	5225398-6	Bulkhead Jack . . . . .	X	1
13	5225395-6	Plug (on optional antenna provisions [2]) . . . . .	X	1
14	MS27039C0807	Screw . . . . .	X	4
15	B322-13	Cover Assembly . . . . .	X	A/R
16	5225555-6	Plug (on optional antenna provisions [2]) . . . . .	X	1
17	B274-518	Cable (on optional antenna provisions [2]) . . . . .	X	1
18	5225557-6	Bulkhead Jack (on optional antenna provisions only) . . . . .	X	1
19	GA 55	Antenna – XM (install using item 2; includes item 20) . . . . .	X	1
20	—	Gasket . . . . .	O	1
21	C706-1	Cowling (Ref)		
22	NAS1149FN832P	Washer . . . . .	X	4
23	-2729	Cable . . . . .	X	1
24	MS24694-C7	Screw . . . . .	X	4
25	GA 35	Antenna – GPS (install using item 2; includes item 26) . . . . .	X	1
26	—	Gasket . . . . .	O	1
27	-468	Cable . . . . .	X	1
28	B270-13	Sealant . . . . .	X	A/R

NOTES \* Comant Industries part no.

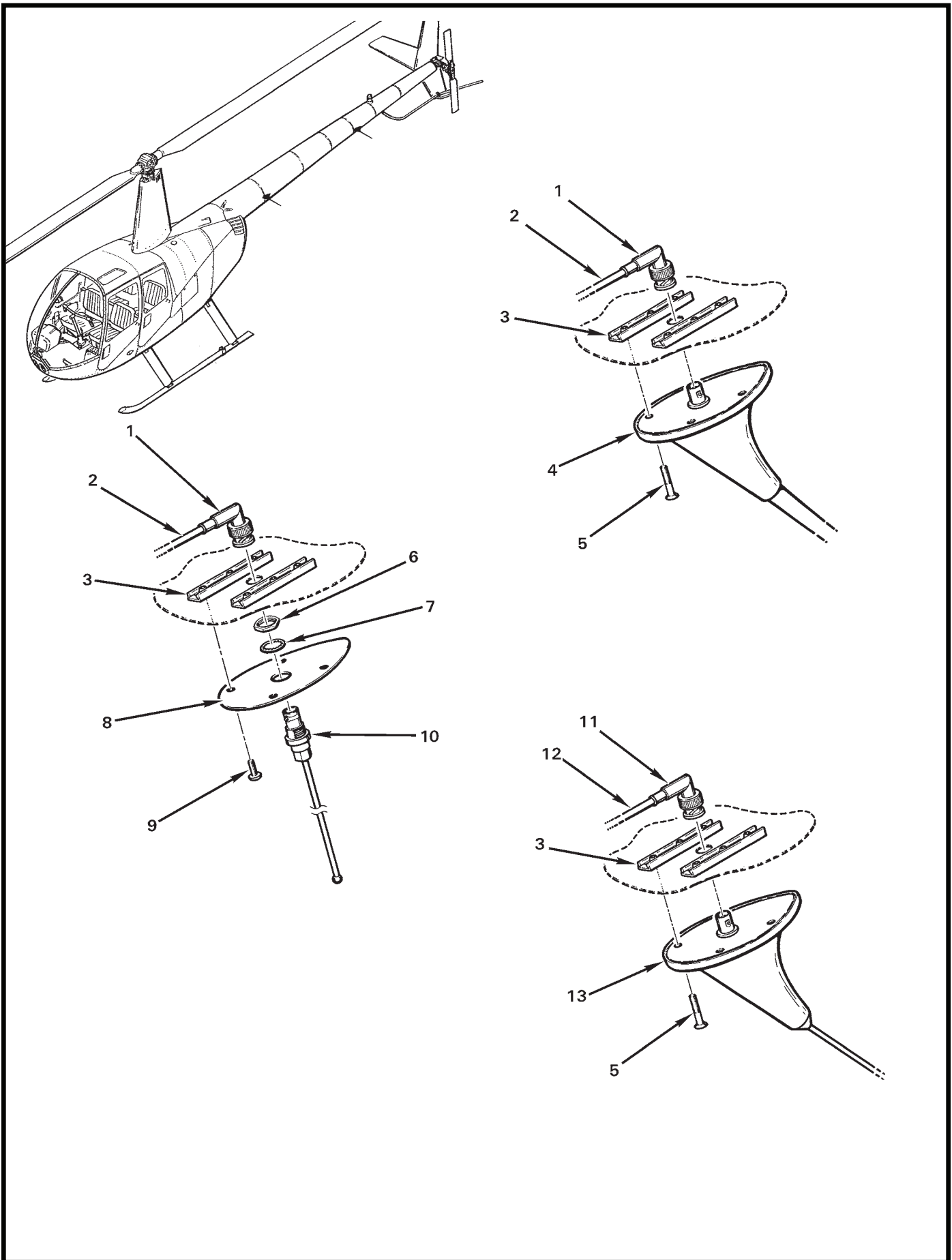


FIGURE AND INDEX NUMBER	PART NUMBER	DESCRIPTION	PARTS AVAIL	QTY PER ASSY
<b>LOWER TAILCONE ANTENNAS</b>				
6-37-1	5225973-4	Plug . . . . .	X	1
2	C023-821	Cable (Ref, forward mount)		
	C023-822	Cable (Ref, aft mount)		
3	A738-21	Gang Channel (Ref)		
4	CI 177*	Antenna – FM (148–174 MHz) . . . . .	X	1
	CI 177-1*	Antenna – FM (138–174 MHz) . . . . .	X	1
	CI 177-20*	Antenna – FM (450–470 MHz) . . . . .	X	1
5	MS24694-C7	Screw . . . . .	X	4
6	—	Nut . . . . .	O	1
7	—	Washer . . . . .	O	1
8	B322-4	Cover . . . . .	X	1
9	MS27039C0806	Screw . . . . .	X	4
10	CI 273*	Antenna – FM (403–512 MHz, includes items 6 and 7) . . . . .	X	1
11	221402-2	Plug . . . . .	X	1
12	C023-1013	Cable (Ref)		
13	CI 122*	Antenna – VHF (118–136 MHz) . . . . .	X	1

NOTES \* Comant Industries part no.

Intentionally Blank