

CHAPTER 32

LANDING GEAR

<i>Figure</i>	<i>Title</i>	<i>Page</i>
32-1	Landing Gear Assembly	32.0
32-5	Landing Gear Assembly	32.4
32-9	Strut Fairing Installation	32.8
32-11	Strut Fairing Installation	32.10
32-11B	Landing Gear Lug – Extension Installation	32.11
32-13	Pop-Out Floats – Cylinder Assembly Installation	32.12
32-15	Pop-Out Floats – Cylinder Assembly Installation	32.14
32-17	Pop-Out Floats – Lever Assembly	32.16
32-19	Pop-Out Floats – Tube Assemblies Installation	32.18
32-23	Pop-Out Floats – Tube Assembly Components	32.22
32-25	Pop-Out Floats – Tube Assembly Components	32.24
32-27	Pop-Out Floats – Hoses Installation	32.26
32-29	Fixed Floats – Tube Assemblies Installation	32.28
32-33	Fixed Floats – Components	32.32

FIGURE AND INDEX NUMBER	PART NUMBER	DESCRIPTION	PARTS AVAIL	QTY PER ASSY
LANDING GEAR ASSEMBLY				
32-1-1	C014-27	Landing Gear Assembly – Standard (Incl items 3, 16, 18, 20, 28, 30, 31, and 37 thru 51)	X	1
	C014-30*	Landing Gear Assembly – Extended (Incl items 3, 16, 19, 20, 29, 30, 31, and 37 thru 51)	X	1
2	C247-3	Cap (clear; bond in place using item 3, window up, painted side against crosstube)	X	2
3	B270-1	Sealant (2-oz tube)	X	A/R
4	C046-2	Lower Frame Assembly – RH (Ref)		
5	S14119	Screw (plastic)	X	2
6	D310-6	Bracket – RH	X	1
	D310-5	Bracket – LH	X	1
7	A31007	Nut (plastic)	X	2
8	A141-11	Washer	X	8
9	NAS6604-17	Bolt	X	4
10	D210-4	Nut	X	4
11	C574-1	Support Assembly	X	2
12	C141-4	Washer	X	2
13	NAS6607P20	Bolt	X	4
14	D210-7	Nut	X	2
15	NAS1149F0732P	Washer	X	2
16	F247-1	Spacer	X	2
17	2633	Hole Plug	X	4
18	C239-12	Strut Assembly – Aft (standard gear)	X	2
19	C239-16*	Strut Assembly – Aft (extended gear)	X	2
20	C241-3	Cross Tube (aft)	X	1
21	C046-23	Lower Frame Assembly – LH (Ref)		
22	F411-9	Cap (clear; bond in place using item 3, window up, painted side against cross tube)	X	2
23	C276-1	Shackle Assembly	X	1
24	LJS-1016	Bearing	X	2
25	C105-1	Journal	X	1
26	A214-10	Washer	X	2
27	C141-5	Washer	X	2
28	C239-13	Strut Assembly – Forward (standard gear)	X	2
29	C239-17*	Strut Assembly – Forward (extended gear)	X	2
30	F247-2	Spacer	X	2

NOTES * Optional; not shown.

Continues

FIGURE AND INDEX NUMBER	PART NUMBER	DESCRIPTION	PARTS AVAIL	QTY PER ASSY
LANDING GEAR ASSEMBLY (Cont'd)				
32-1-31	C241-4	Cross Tube (forward)	X	1
32	NAS6607-52	Bolt	X	1
33	2740	Hole Plug (DP-1250)	X	1
34	C141-6	Washer	X	1
35	A751-4	Strip (forward, 18-inch length)	X	2
36	A751-5	Strip (aft, 38-inch length)	X	2
37	C247-1	Cap (install using item 3)	X	2
38	NAS1330H3K116L	Rivnut	X	24
39	A667-8	Shoe (curved)	X	2
40	A142-1	Screw	X	40
41	A667-7	Shoe (straight)	X	8
42	A142-3	Screw	X	8
43	NAS6606-4	Bolt	X	16
44	NAS1149F0663P	Washer	X	16
45	C246-5	Liner Assembly – LH	X	1
	C242-6	Liner Assembly – RH (not shown)	X	1
46	C242-5	Skid tube – LH	X	1
	C242-6	Skid tube – RH (not shown)	X	1
47	NAS6604-46	Bolt	X	4
48	NAS1149F0432P	Washer	X	4
49	C719-1	Support Assembly (ground wheels)	X	2
50	B340-10	Nut	X	4
51	C937-1	Skid Extension – LH	X	1
	C937-2	Skid Extension – RH (not shown)	X	1
52	C014-11	Skid Tube Assembly – LH (Incl items 3, 37 thru 42, 45 and 46. Does not include item 51.)	X	1
	C014-12	Skid Tube Assembly – RH (Incl items 3, 37 thru 42, 45 and 46. Does not include item 51; not shown.)	X	1

NOTES

Intentionally Blank

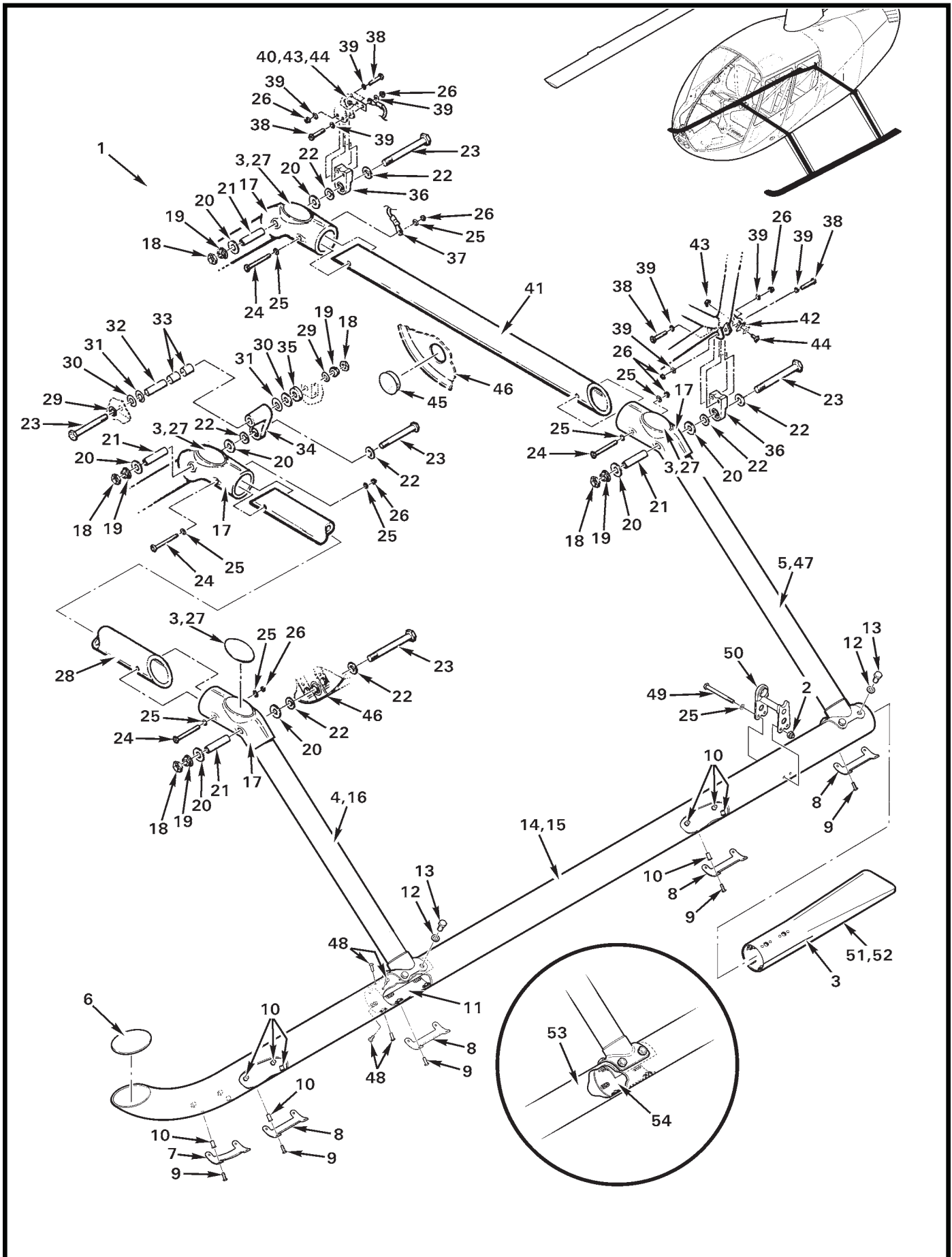


FIGURE AND INDEX NUMBER	PART NUMBER	DESCRIPTION	PARTS AVAIL	QTY PER ASSY
		LANDING GEAR ASSEMBLY*		
32-5-1	C014-8	Landing Gear Assembly – Standard (Includes items 2 thru 15, 17, 21, 24 thru 28, 41, and 48 thru 52. Superseded by C014-27; see Figure 32-1.)	O	1
	C014-22**	Landing Gear Assembly – Extended (Includes items 2 thru 17, 24 thru 28, 41, and 47 thru 52. Superseded by C014-30; see Figure 32-1.)	O	1
2	B340-10	Nut	X	4
3	B270-1	Sealant (2-oz tube)	X	A/R
4	C239-2	Strut Assembly – Forward (Standard gear; no longer available. To replace order [2] C239-13 strut assemblies, and [1] C241-4 cross tube and associated hardware. See Figure 32-1.)	O	2
5	C239-1	Strut Assembly – Aft (Standard gear; no longer available. To replace order [2] C239-12 strut assemblies, and [1] C241-3 cross tube and associated hardware. See Figure 32-1.)	O	2
6	C247-1	Rain Cap (install using item 3)	X	2
7	A667-8	Shoe (curved)	X	2
8	A667-7	Shoe (straight)	X	8
9	A142-1	Screw	X	40
10	NAS1330H3K116L	Rivnut	X	24
11	C246-5	Liner Assembly (LH; includes nutplates)	X	1
	C246-6	Liner Assembly (RH; includes nutplates)	X	1
12	NAS1149F0663P	Washer	X	16
13	NAS6606-4	Bolt	X	16
14	C014-11	Skid Tube Assembly (LH; includes C242-5 and items 3, 6 thru 11, and 48)	O	1
	C242-5	Skid Tube	O	1
15	C014-12	Skid Tube Assembly (RH; includes C242-6 and items 3, 6 thru 11, and 48)	O	1
	C242-6	Skid Tube	O	1
16	C239-11**	Strut Assembly – Forward (Extended gear; no longer available. To replace order [2] C239-17 strut assemblies, and [1] C241-4 cross tube and associated hardware. See Figure 32-1.)	O	2
17	C240-1	Elbow	X	4
18	B330-21	Palnut	X	5
19	D210-7	Nut	X	5
20	NAS1149F0763P	Washer	X	8
21	C278-1	Spacer	X	4

NOTES * Earlier R44's.
 ** Optional; not shown.

Continues

FIGURE AND INDEX NUMBER	PART NUMBER	DESCRIPTION	PARTS AVAIL	QTY PER ASSY
LANDING GEAR ASSEMBLY (Cont'd)				
32-5-22	C141-4	Washer	X	8
23	NAS6607-52	Bolt (or NAS6607-54 [aft LH location; Rev. J and prior], if siren installed)	X	5
24	NAS6604-41	Bolt (or NAS6604-43 [aft LH location; Rev. K and prior], if siren installed)	X	4
25	NAS1149F0432P	Washer	X	12
26	D210-4	Nut	X	8
27	C247-2	Rain Cap (install using item 3)	X	4
28	C241-2	Cross Tube (Forward; no longer available. To replace order [1] C241-3 cross tube, and [2] C239-17 (standard) or [2] C239-10 (extended) strut assemblies and associated hardware. See Figure 32-1.)	O	1
29	NAS1149F0732P	Washer	X	2
30	C141-5	Washer	X	2
31	A214-10	Washer	X	2
32	C105-1	Journal	X	1
33	LJS-1016	Bearing	X	2
34	C276-1	Shackle Assembly	X	1
35	C141-6	Washer	X	1
36	C574-1	Support Assembly	X	2
37	A936-2	Wire Assembly	X	1
38	NAS6604-17	Bolt	X	4
39	A141-11	Washer	X	8
40	D310-6	Bracket (RH)	X	1
41	C241-1	Cross Tube (Aft; no longer available. To replace order [1] C241-3 cross tube, and [2] C239-12 (standard) or [2] C239-16 (extended) strut assemblies and associated hardware. See Figure 32-1.)	O	1
42	D310-5	Bracket (LH)	X	1
43	A31007	Nut (plastic)	X	2
44	S14119	Screw (plastic)	X	2
45	2740	Hole Plug (DP-1250)	X	1
46	C015	Cabin Assembly (Ref)		
47	C239-10*	Strut Assembly – Aft (Extended gear; no longer available. To replace order [2] C239-16 strut assemblies, and [1] C241-3 cross tube and associated hardware. See Figure 32-1.)	O	2
48	A142-3	Screw	X	8

NOTES * Optional; not shown.

FIGURE AND INDEX NUMBER	PART NUMBER	DESCRIPTION	PARTS AVAIL	QTY PER ASSY
LANDING GEAR ASSEMBLY (Cont'd)				
32-5-49	NAS6604-46	Bolt	X	4
50	C719-1	Support Assembly (ground wheels)	X	2
51	C937-1	Extension – Skid (LH)	X	1
52	C937-2	Extension – Skid (RH, not shown)	X	1
53	C242-1	Skid Tube (LH, Ref; no longer available)		
	C242-2	Skid Tube (RH, Ref; no longer available)		
54	C246-1	Liner Assembly (Ref; no longer available)		
55	C014-10	Strut Assembly – Forward (Standard gear; for spares. Includes items 3, 4, 17, 21, and 27).	X	2
56	C014-24*	Strut Assembly – Forward (Extended gear; for spares. Includes items 3, 16, 17, 21, and 27.)	X	2
57	C014-9	Strut Assembly – Aft (Standard gear; for spares. Includes items 3, 5, 17, 21, and 27.)	X	2
58	C014-23*	Strut Assembly – Aft (Extended gear; for spares. Includes items 3, 17, 21, 27, and 47.)	X	2

NOTES * Optional; not shown.

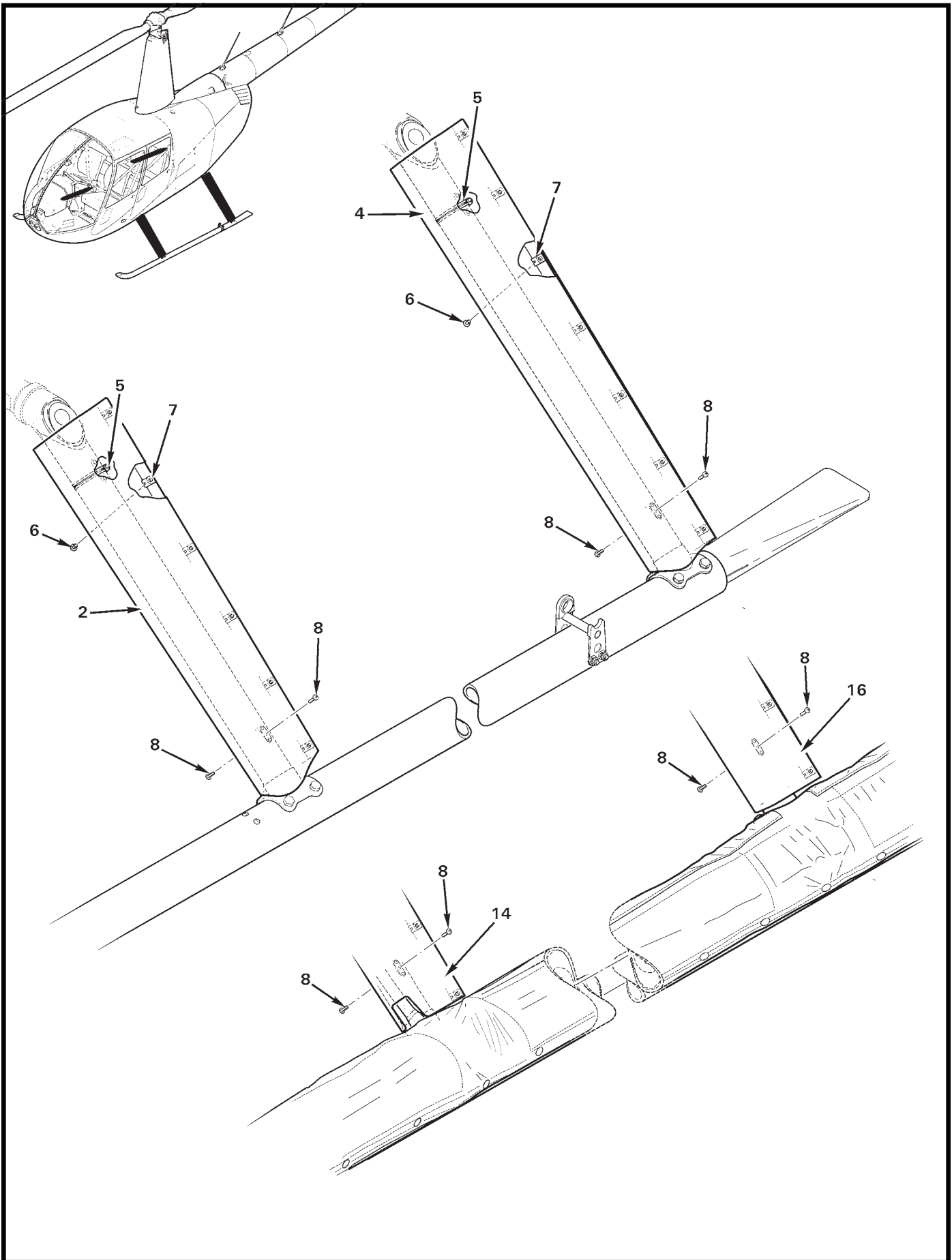


FIGURE AND INDEX NUMBER	PART NUMBER	DESCRIPTION	PARTS AVAIL	QTY PER ASSY
STRUT FAIRING INSTALLATION*				
32-9-1	C082-62.CS**	Fairing Assembly – Forward (RH)	X	1
	C082-32.CS**	Fairing Assembly – Forward (RH)	X	1
2	C082-63.CS	Fairing Assembly – Forward (LH)	X	1
	C082-33.CS	Fairing Assembly – Forward (LH)	X	1
3	C082-64.CS**	Fairing Assembly – Aft (RH)	X	1
	C082-34.CS**	Fairing Assembly – Aft (RH)	X	1
4	C082-65.CS	Fairing Assembly – Aft (LH)	X	1
	C082-35.CS	Fairing Assembly – Aft (LH)	X	1
5	B227-28	Clamp	X	4
6	B526-6*	Screw ([24] required with items 13 thru 16)	X	26
7	B162-3	Clipnut ([24] required with items 13 thru 16)	X	26
8	MS27039C0810	Screw	X	8
* * *				
9	C082-72.CS**	Fairing Assembly – Forward (RH, extended gear)	X	1
	C082-42.CS**	Fairing Assembly – Forward (RH, extended gear)	X	1
10	C082-73.CS**	Fairing Assembly – Forward (LH, extended gear)	X	1
	C082-43.CS**	Fairing Assembly – Forward (LH, extended gear)	X	1
11	C082-74.CS**	Fairing Assembly – Aft (RH, extended gear)	X	1
	C082-44.CS**	Fairing Assembly – Aft (RH, extended gear)	X	1
12	C082-75.CS**	Fairing Assembly – Aft (LH, extended gear)	X	1
	C082-45.CS**	Fairing Assembly – Aft (LH, extended gear)	X	1
* * *				
13	C082-82.CS**	Fairing Assembly – Forward (RH, pop-out float gear)	X	1
	C082-52.CS**	Fairing Assembly – Forward (RH, pop-out float gear)	X	1
14	C082-83.CS	Fairing Assembly – Forward (LH, pop-out float gear)	X	1
	C082-53.CS	Fairing Assembly – Forward (LH, pop-out float gear)	X	1
15	C082-84.CS**	Fairing Assembly – Aft (RH, pop-out float gear)	X	1
	C082-54.CS**	Fairing Assembly – Aft (RH, pop-out float gear)	X	1
16	C082-85.CS	Fairing Assembly – Aft (LH, pop-out float gear)	X	1
	C082-55.CS	Fairing Assembly – Aft (LH, pop-out float gear)	X	1

NOTES * Revision "N" and subsequent fairing assemblies. Installed on C014-27 and -30 landing gear. See Figure 32-1. Will be shipped painted white. Additional charges for color matching.
 ** Not shown.

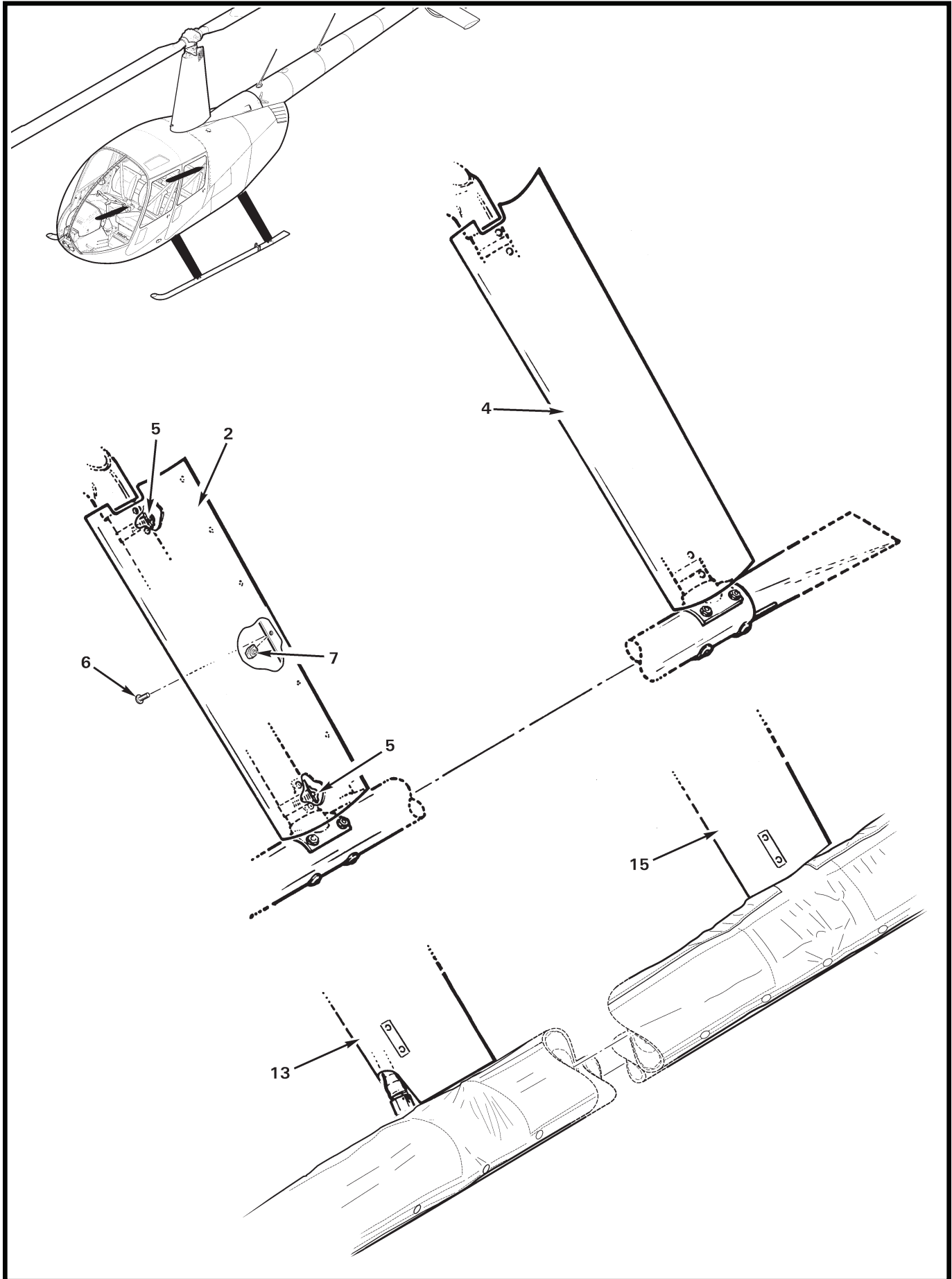


FIGURE AND INDEX NUMBER	PART NUMBER	DESCRIPTION	PARTS AVAIL	QTY PER ASSY
STRUT FAIRING INSTALLATION*				
32-11-1	C082-2.CS**	Fairing Assembly – Forward (RH)	X	1
2	C082-3.CS	Fairing Assembly – Forward (LH)	X	1
3	C082-4.CS**	Fairing Assembly – Aft (RH)	X	1
4	C082-5.CS	Fairing Assembly – Aft (LH)	X	1
5	HTM-200	Clamp	X	8
	B270-10	Adhesive (for clamp threads)	X	A/R
6	MS27039C0805	Screw (B526-6 screw optional)	X	26
7	B162-3	Clipnut	X	26
* * *				
8	C082-12.CS**	Fairing Assembly – Forward (RH, extended gear)	X	1
9	C082-13.CS**	Fairing Assembly – Forward (LH, extended gear)	X	1
10	C082-14.CS**	Fairing Assembly – Aft (RH, extended gear)	X	1
11	C082-15.CS**	Fairing Assembly – Aft (LH, extended gear)	X	1
* * *				
12	C082-22.CS**	Fairing Assembly – Forward (RH, pop-out float gear)	X	1
13	C082-23.CS	Fairing Assembly – Forward (LH, pop-out float gear)	X	1
14	C082-24.CS**	Fairing Assembly – Aft (RH, pop-out float gear)	X	1
15	C082-25.CS	Fairing Assembly – Aft (LH, pop-out float gear)	X	1

NOTES * Revision "M" and prior fairing assemblies. Installed on C014-8 and -22 landing gear. See Figure 32-5. Will be shipped painted white. Additional charge for color matching.
 ** Not shown.

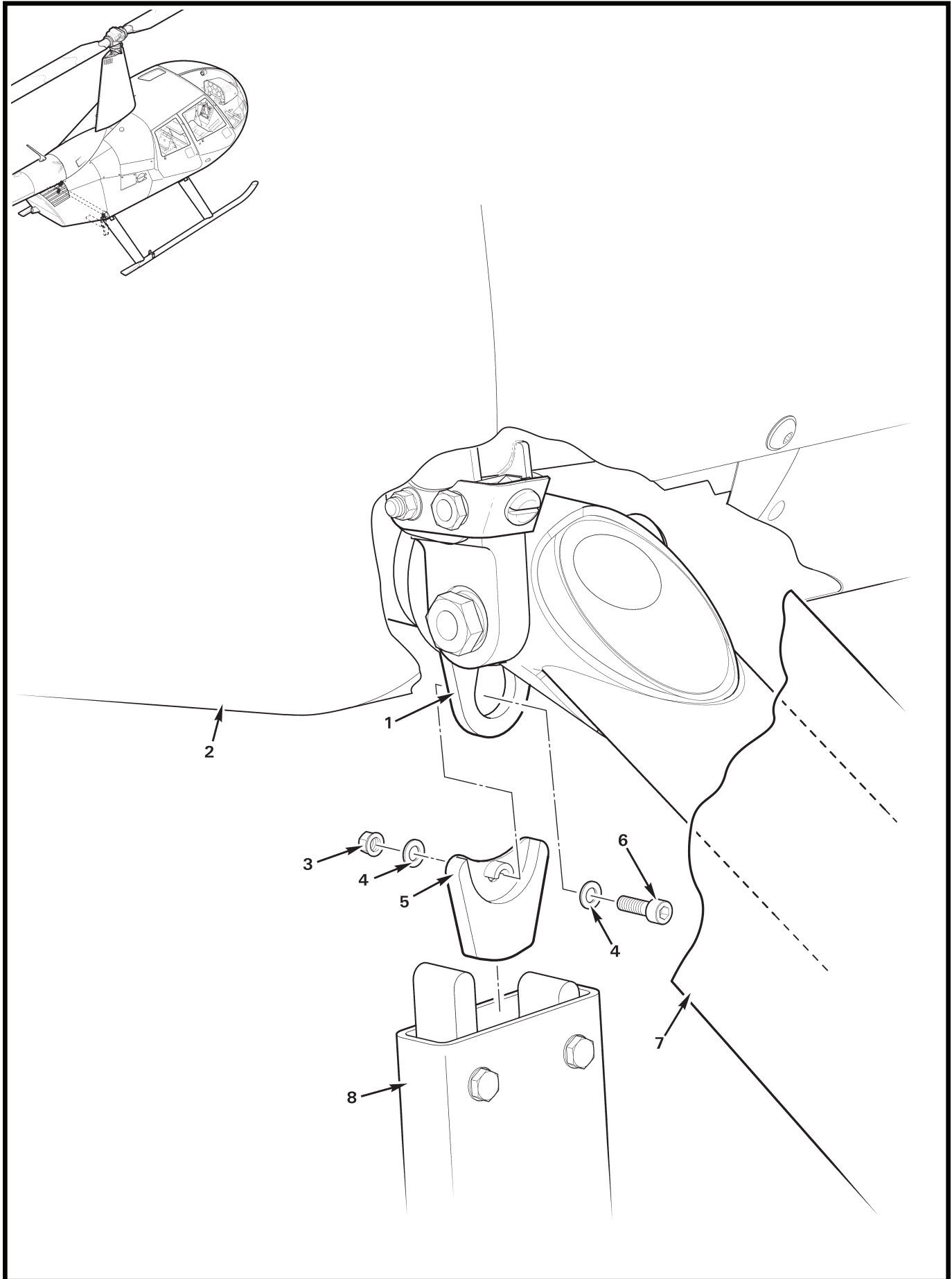


FIGURE AND INDEX NUMBER	PART NUMBER	DESCRIPTION	PARTS AVAIL	QTY PER ASSY
LANDING GEAR LUG – EXTENSION INSTALLATION				
32-11B-1	C239-12	Strut Assembly – Aft (standard gear; Ref, see Figure 32-1)		
	C239-16	Strut Assembly – Aft (Extended gear. Ref, not shown; see Figure 32-1.)		
2	D040-1	Cowling Assembly – Aft (Ref, see Figure 53-5)		
3	D210-3	Nut	X	1
4	NAS620-10L	Washer	X	2
5	F411-10	Extension	X	1
6	NAS1351-3-10P	Screw	X	1
7	C082	Fairing Assembly – Aft (RH, Ref; see Figure 32-9)		
8	—	Tow Cart* (Ref)		
<p>NOTES * Refer to MT950 Ground Handling Cart Operating Instructions, Maintenance Manual, and Illustrated Parts Catalog online at www.robinsonheli.com.</p>				

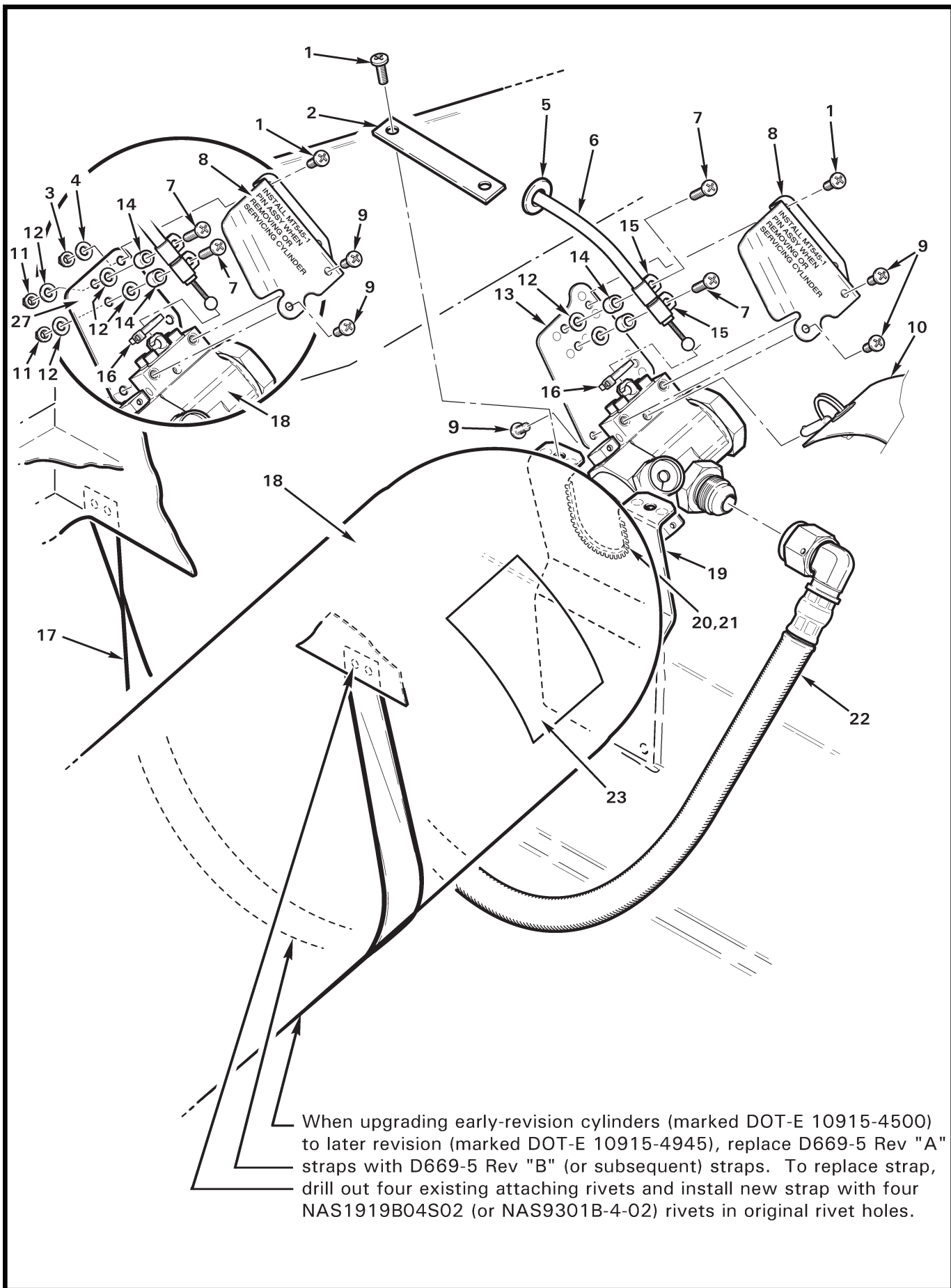


FIGURE AND INDEX NUMBER	PART NUMBER	DESCRIPTION	PARTS AVAIL	QTY PER ASSY
		POP-OUT FLOATS – CYLINDER ASSEMBLY INSTALLATION		
32-13-1	MS27039C0806	Screw	X	4
2	D669-3	Strap	X	1
3	MS21042L08	Nut	X	2
4	NAS1149FN816P	Washer	X	2
5	MS35489-6	Grommet	X	1
6	D676-1	Cable (Ref, see Figure 32-17)		
7	MS27039C1-12	Screw	X	2
8	D761-2	Cover	X	1
9	MS27039C0805	Screw	X	4
10	MT545-1	Pin Assembly	X	1
11	MS21042L3	Nut (for earlier R44s)	X	2
12	NAS1149F0332P	Washer ([4] required on earlier R44s when item 11 is installed) . .	X	2
13	D761-1	Support Assembly (revision "C" and higher)	X	1
14	C130-26	Spacer	X	2
15	AN735-3	Clamp	X	2
16	MS3367-4-9	Ty-Rap	X	1
17	D669-5	Strap (Ref)		
18	D679-3*	Cylinder Assembly (filled)	X	1
	D679-3R*	D679-3 Cylinder Assembly (filled; overhaul exchange)	X	1
	D679-4*	Cylinder Assembly (empty)	X	1
	D679-4R*	D679-4 Cylinder Assembly (empty; overhaul exchange)	X	1
19	D669-1	Cradle Assembly (Ref)		
20	MS21266-1N	Grommet (install using item 24)	X	A/R
21	B270-8qt	Adhesive	X	A/R
22	D674-1	Hose	X	1
23	D682-6	Decal (cylinder pressure limits)	X	1
		* * *		
24	MT546-2**	Adapter Assembly – Filler (includes MS28778-2 packing)	X	1
	MS28778-2**	Packing	X	1
25	KI-151**	Pop-Out Float Cylinder Bleed-Off Kit	X	1
26	KI-175	Cylinder Replacement Installation Kit (Incl items 1, 3, 4, 7 thru 9, and 12 thru 16; not shown)	X	1

NOTES * When replacing D679-1 Cylinder Assembly, also order KI-175 installation kit.
 ** Not shown; see Figure 99-21.

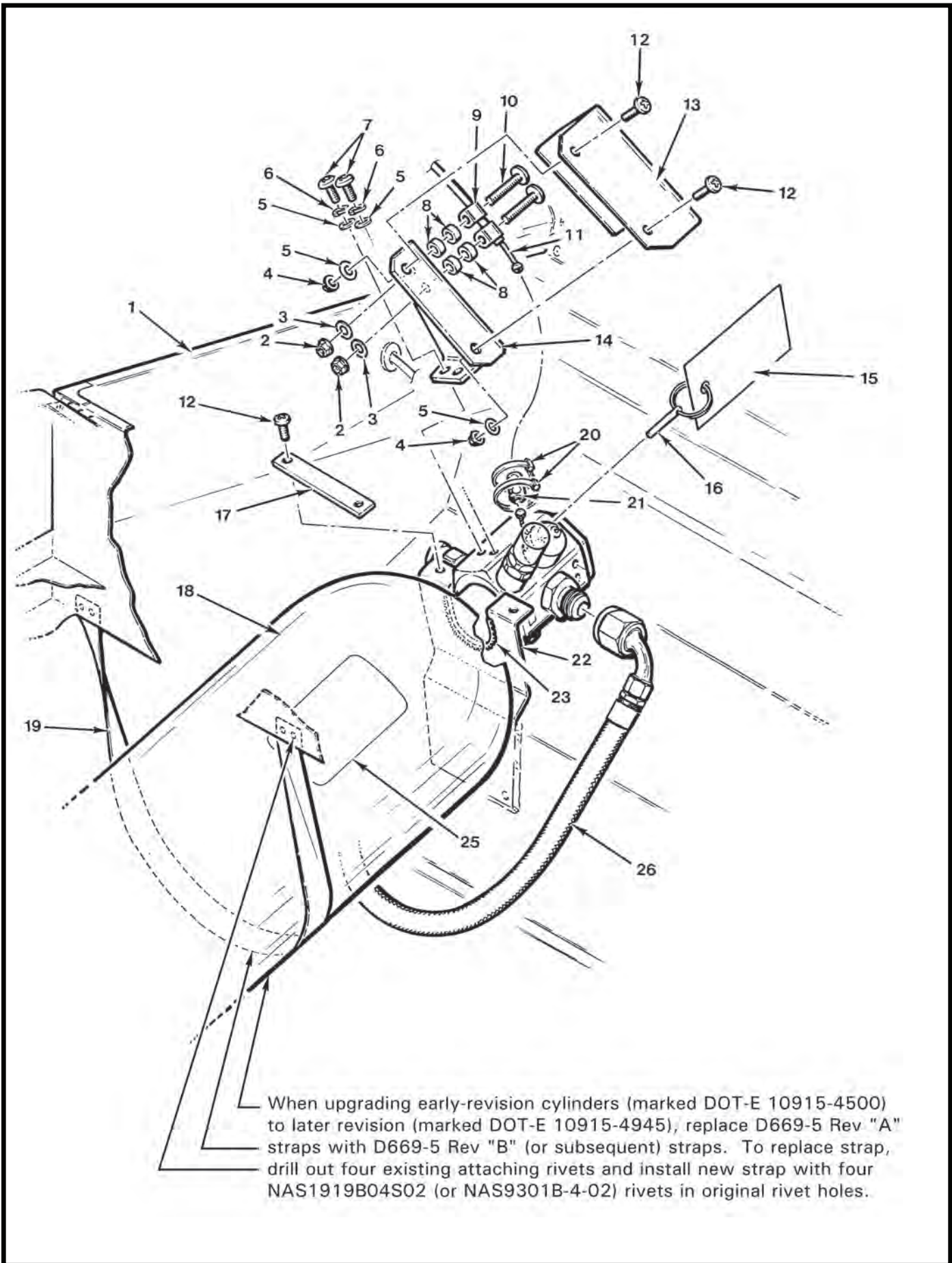


FIGURE AND INDEX NUMBER	PART NUMBER	DESCRIPTION	PARTS AVAIL	QTY PER ASSY
		POP-OUT FLOATS – CYLINDER ASSEMBLY INSTALLATION		
32-15-1	—	Seat Frame – Pilot (Ref)		
2	MS21042L3	Nut	X	2
3	NAS1149F0332P	Washer	X	2
4	MS21042L08	Nut	X	2
5	NAS1149FN832P	Washer	X	4
6	B332-42	Lockwasher	X	2
7	MS27039C0805	Screw	X	2
8	A130-20	Spacer	X	4
9	AN735-3	Clamp	X	2
10	MS27039C1-11	Screw	X	2
11	D676-1	Cable (Ref, see Figure 32-17)	X	1
12	MS27039C0806	Screw	X	2
13	D675-9*	Cover (Ref)		
14	D675-10*	Support (Ref)		
15	—	Placard	O	1
16	—	Locking Pin	O	1
17	D669-3	Strap	X	1
18	D679-1*	Cylinder Assembly (Ref; to replace refer to Figure 32-13)		
19	D669-5	Strap (Ref)		
20	MS3367-4-9	Ty-Rap	X	2
21	B125-2	Connector	X	1
22	D669-1	Cradle Assembly (Ref)		
23	MS21266-1N	Grommet (install using item 24)	X	A/R
24	B270-8qt	Adhesive	X	A/R
25	D682-1	Decal (cylinder pressure limits)	X	1
26	D674-1	Hose	X	1

NOTES * No longer available. To replace order KI-175 installation kit. See Figure 32-13.

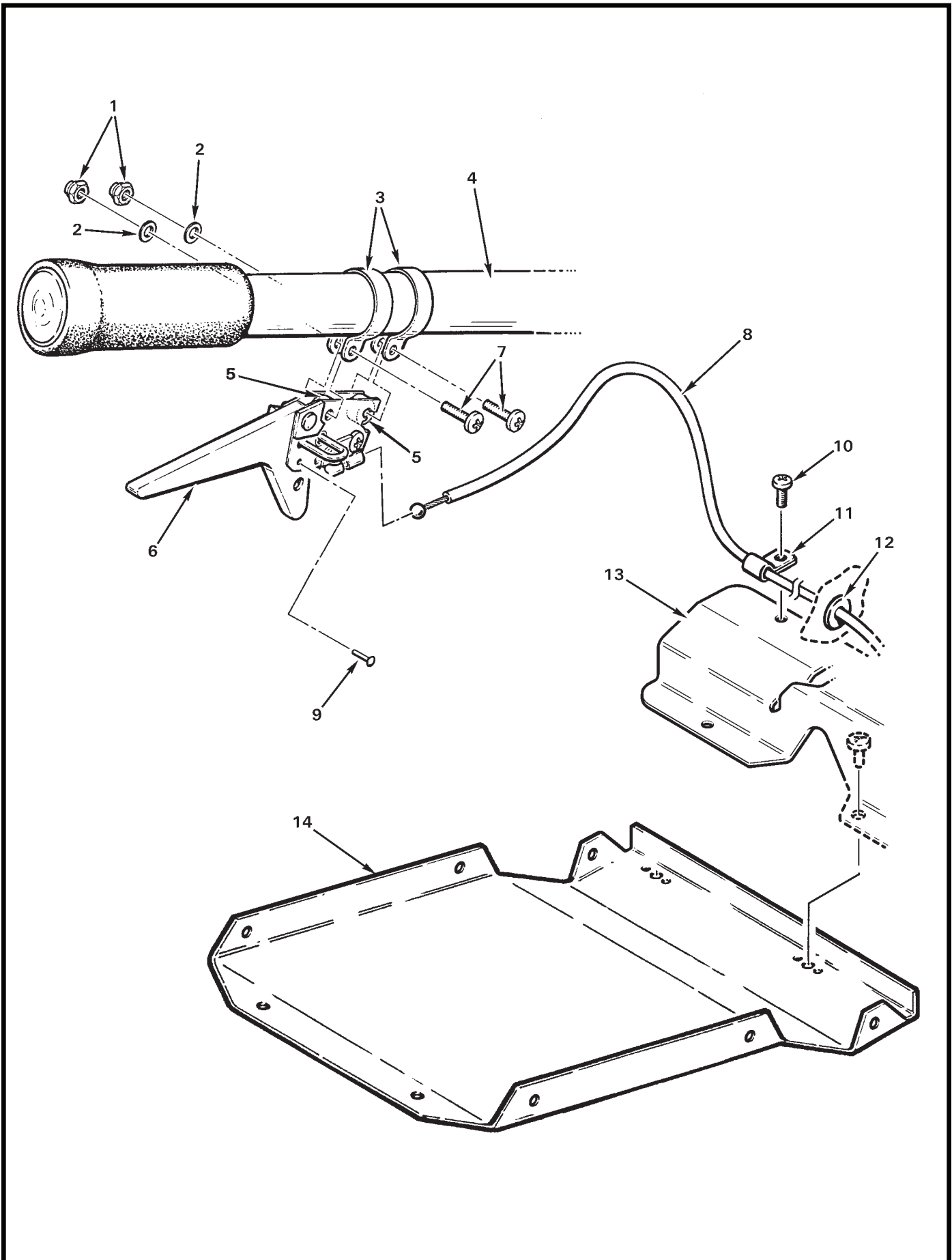


FIGURE AND INDEX NUMBER	PART NUMBER	DESCRIPTION	PARTS AVAIL	QTY PER ASSY
POP-OUT FLOATS – LEVER ASSEMBLY				
32-17-1	B340-8	Nut	X	2
2	NAS620-10L	Washer	X	2
3	D675-4	Clamp	X	2
4	C758-1	Collective Stick Assembly – Pilot (RH, Ref; see Figure 67-21 for complete assembly)		
5	A130-21	Spacer (between plates as shown)	X	2
6	D680-1	Lever Assembly (Incl items 1 thru 3, 5, and 7)	X	1
7	MS27039C1-09	Screw	X	2
8	D676-1	Cable	X	1
9	MS20470A2-6.5S	Rivet (shear)	X	1
10	MS27039C0806	Screw (Ref)		
11	AN742-3	Clamp	X	1
12	MS35489-6	Grommet	X	1
13	C445-3	Cover (Ref, see Figure 6-5)		
14	D672-1	Cover	X	1

NOTES

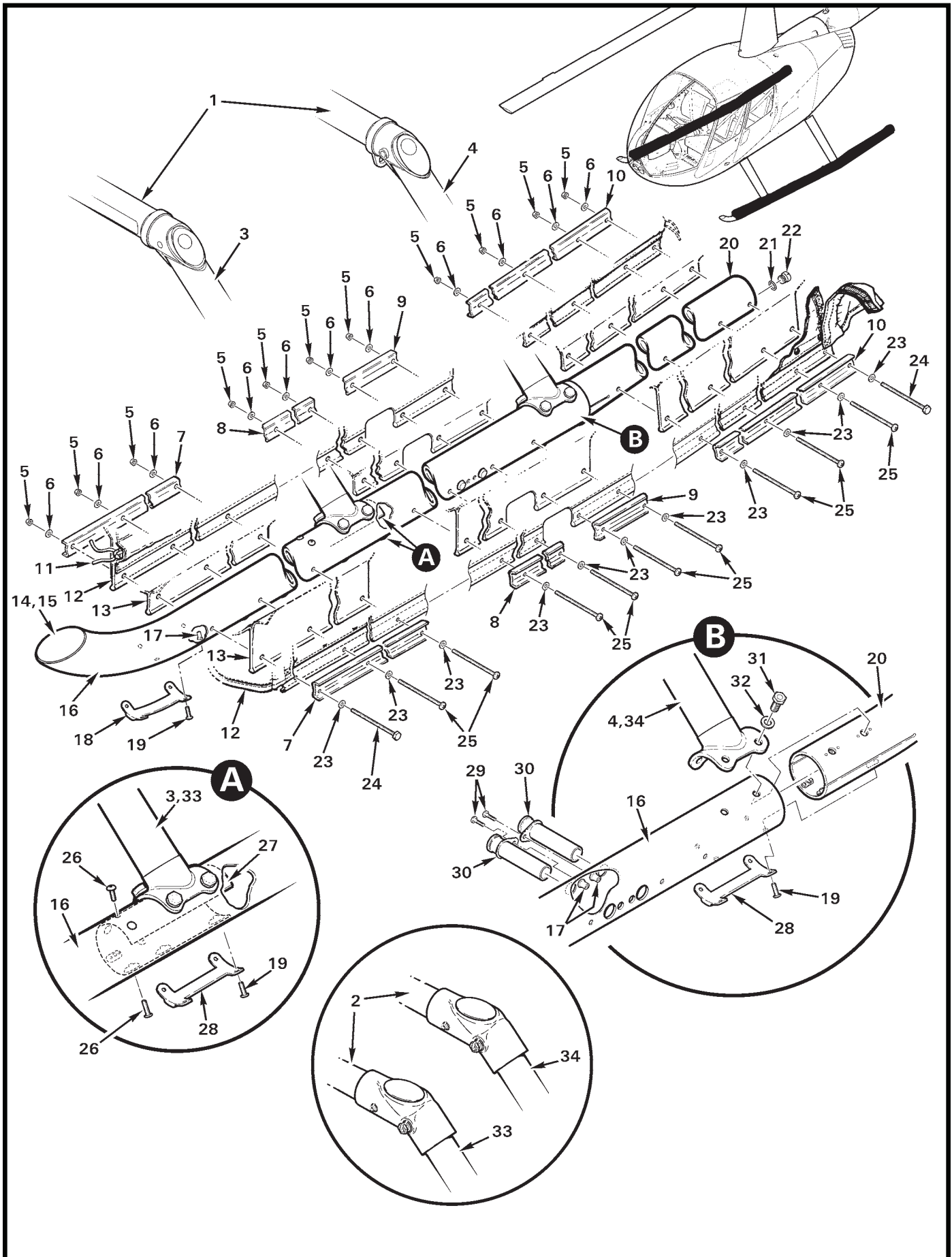


FIGURE AND INDEX NUMBER	PART NUMBER	DESCRIPTION	PARTS AVAIL	QTY PER ASSY
POP-OUT FLOATS – TUBE ASSEMBLIES INSTALLATION				
32-19-1	C014-28	Landing Gear Assembly – Pop-Out Floats (Incl items 3, 4, 14, thru 20, and 26 thru 32)	X	1
2	C014-22*	Landing Gear Assembly – Pop-Out Floats (Incl items 14 thru 20, and 26 thru 34)	O	1
3	C239-17	Strut Assembly – Forward (Ref)		
4	C239-16	Strut Assembly – Aft (Ref)		
5	MS21042L3	Nut (install using item 15)	X	62
6	NAS1149F0332P	Washer (or NAS1149F0363P)	X	62
7	C944-1	Strip	X	4
8	C944-4	Strip	X	4
9	C944-5	Strip	X	4
10	C944-3	Strip	X	4
11	M11029	Cord	X	1
12	C950-25	Cover (LH; ACC Float. Includes item 11.)	X	1
	C950-25.CS	Cover (LH; ACC, SMR Float [spares]. Includes item 11.)	X	1
	C950-26	Cover (RH, ACC Float. Includes item 11.)	X	1
	C950-26.CS	Cover (RH; ACC, SMR Float [spares]. Includes item 11.)	X	1
13	C950-19 or -23	Float Assembly – LH (Ref, see Figure 32-23)		
	C950-20 or -24	Float Assembly – RH (Ref, see Figure 32-23; not shown)		
14	C247-1	Rain Cap (install using item 15)	X	1
15	B270-1*	Sealant (2-oz tube)	X	A/R
16	C014-25	Skid Tube Assembly (LH; includes items 14, 15, 17 thru 19, and 26 thru 30; does not include item 20)	X	1
	C014-26	Skid Tube Assembly (RH; includes items 14, 15, 17 thru 19, and 26 thru 30; does not include item 20)	X	1
17	NAS1330H3K116L	Rivnut	X	14
18	A667-8	Skid Shoe (curved)	X	1
19	A142-1	Screw	X	20
20	C945-1	Skid Extension (LH)	X	1
	C945-2	Skid Extension (RH, not shown)	X	1
21	A215-013	O-Ring	X	1
22	B202-1	Drain Plug Assembly (Incl item 24)	X	1
23	NAS1149F0332P**	Washer (or NAS1149F0363P)	X	A/R
24	AN3-32A	Bolt (or MS27039DD1-47 or -51 as required to expose 2 to 4 threads; install using item 15)	X	4

NOTES * See also Figure 32-5.
 ** See R44 Maintenance Manual §5.620 for location and usage.

Continues

FIGURE AND INDEX NUMBER	PART NUMBER	DESCRIPTION	PARTS AVAIL	QTY PER ASSY
POP-OUT FLOATS – TUBE ASSEMBLIES INSTALLATION (Cont'd)				
32-19-25	MS27039DD1-51	Screw (or MS27039DD1-47 or AN3-32A Bolt [not shown] as required to expose 2 to 4 threads; install using item 15)	X	58
26	A142-3	Screw	X	4
27	C246-5	Liner Assembly (left skid)	X	1
	C246-6	Liner Assembly (right skid)	X	1
28	A667-7	Skid Shoe (straight)	X	4
29	MS27039C1-09	Screw	X	2
30	D724-1	Sleeve Weldment (2 per skid)	X	4
31	NAS6604-4	Bolt	X	16
32	NAS1149F0663P	Washer	X	16
33	C239-11**	Strut Assembly – Forward (LH and RH)	X	2
34	C239-10**	Strut Assembly – Aft (LH and RH)	X	2

NOTES * Install using item 15.
 ** For earlier R44s see also Figure 32-5.

Intentionally Blank

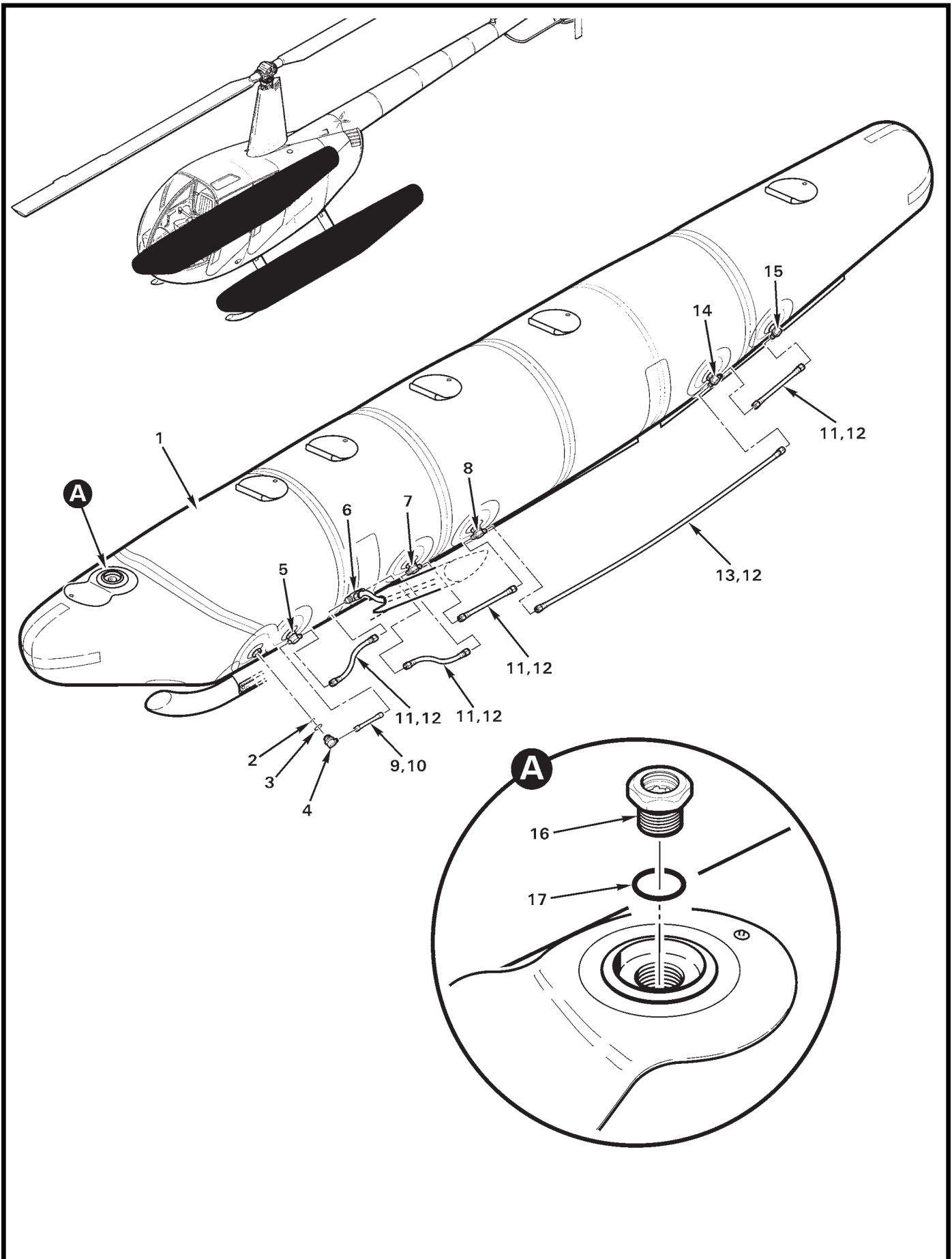


FIGURE AND INDEX NUMBER	PART NUMBER	DESCRIPTION	PARTS AVAIL	QTY PER ASSY
		POP-OUT FLOATS – TUBE ASSEMBLY COMPONENTS*		
32-23-1	C950-24	Float Tube Assembly – RH (Six-chamber; includes items 16; Air Cruisers, [Mfg])	X	1
	C950-20	Float Tube Assembly – RH (Six-chamber; includes items 16; SMR Technologies, Inc. [Mfg]; not shown)	X	1
	C950-23	Float Tube Assembly – LH (Six-chamber; includes items 16; Air Cruisers, [Mfg.]; not shown)	X	1
	C950-19	Float Tube Assembly – LH (Six-chamber, includes items 16; SMR Technologies, Inc. [Mfg]; not shown)	X	1
2	A215-110	O-Ring	X	1
3	A215-212	O-Ring	X	1
4	D770-1	Valve Assembly (Incl items 2 and 3)	X	1
5	D770-2	Valve Assembly (Incl items 2 and 3)	X	1
6	AN824-8D	Tee (Ref, see Figure 32-21)		
7	D770-3	Valve Assembly (Incl items 2 and 3)	X	1
8	D770-4	Valve Assembly (Incl items 2 and 3)	X	1
9	D674-7	Hose Assembly (Incl item 10)	X	1
10	B158-12	Heat Shrink	X	A/R
11	D674-6	Hose Assembly (Incl item 12)	X	1
12	B158-16	Heat Shrink	X	A/R
13	D674-2	Hose Assembly (Incl item 12)	X	1
14	D770-5	Valve Assembly (Incl items 2 and 3)	X	1
15	D770-6	Valve Assembly (Incl items 2 and 3)	X	1
16	A-53001	Valve – Pressure Topping and Relief (Incl item 17)	X	6
17	A215-212	O-Ring	X	1
18	KI-83-3**	Pop-Out Float Repair Kit (SMR floats)	X	1
19	KI-83-4**	Pop-Out Float Repair Kit (ACC floats)	X	1

NOTES * Six-chamber floats.
 ** Not shown.

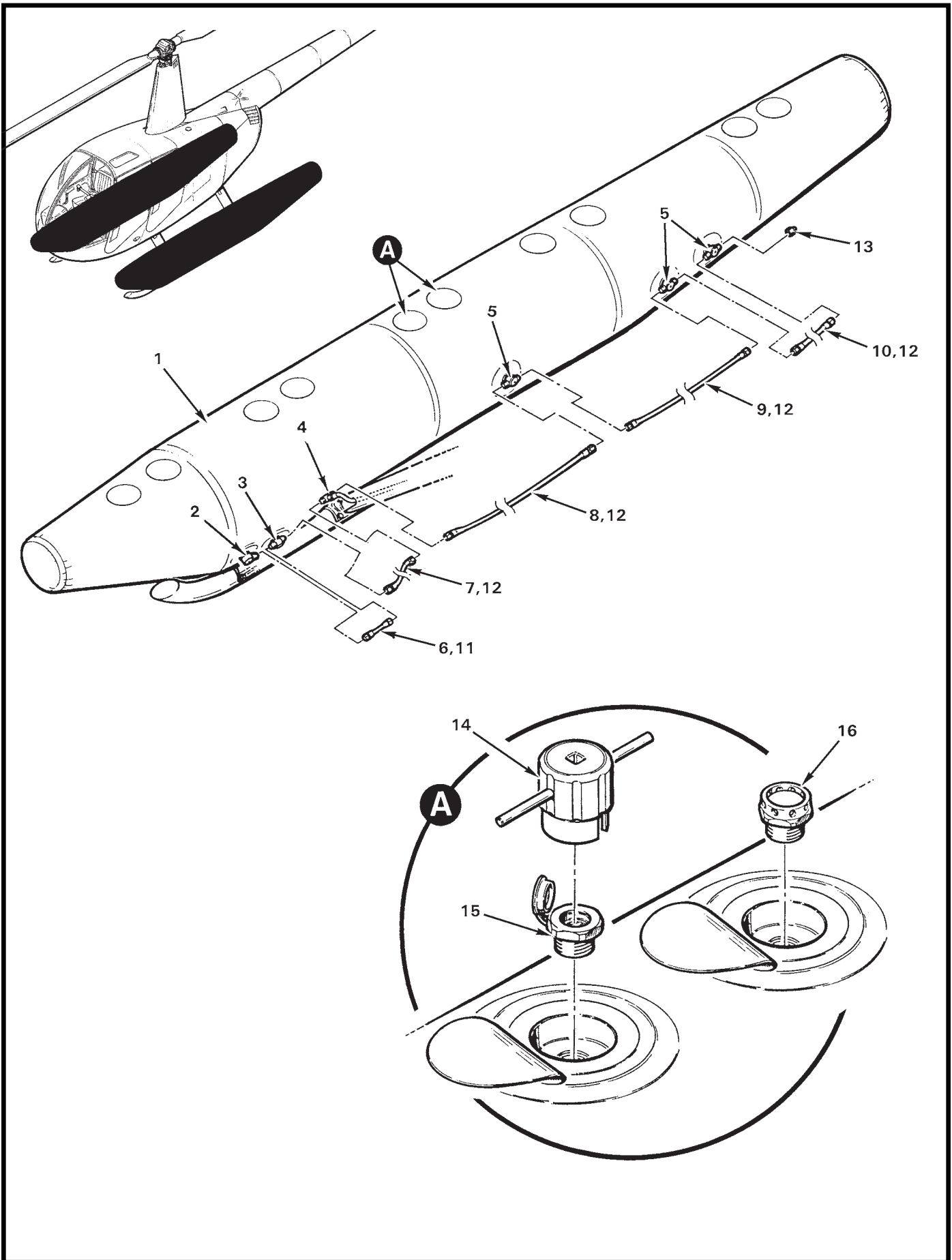


FIGURE AND INDEX NUMBER	PART NUMBER	DESCRIPTION	PARTS AVAIL	QTY PER ASSY
POP-OUT FLOATS – TUBE ASSEMBLY COMPONENTS*				
32-25-1	C950-2	Float Tube Assembly – RH (Incl items 2, 3, 5, 13, 15, and 16) . .	O	1
	C950-1	Float Tube Assembly – LH (Incl items 2, 3, 5, 13, 15, and 16; not shown)	O	1
2	20525**	Inlet Check Valve (Ref)	O	1
3	20325**	Inlet Check Valve (Ref)	O	1
4	AN824-8D	Tee	X	2
5	20246**	Inlet Check Valve (Ref)	O	3
6	D674-7	Hose Assembly – LH and RH (Incl item 11)	X	1
7	D674-6	Hose Assembly – LH and RH (Incl item 12)	X	2
8	D674-5	Hose Assembly – LH and RH (Incl item 12)	X	2
9	D674-4	Hose Assembly – LH and RH (Incl item 12)	X	2
10	D674-3	Hose Assembly – LH and RH (Incl item 12)	X	2
11	B158-12	Heat Shrink (black, 0.75 in. dia.)	X	A/R
12	B158-16	Heat Shrink (black, 1.00 in. dia.)	X	A/R
13	AN929-8	Cap	X	1
14	B-51025**	Wrench	O	1
15	B-51209**	Valve – Top-Off	O	5
16	B-51019-4**	Valve – Pressure Relief	O	5
17	KI-83-4	Pop-Out Float Repair Kit	X	1

NOTES * Five-chamber floats.
 ** Apical Industries, Inc. part no.

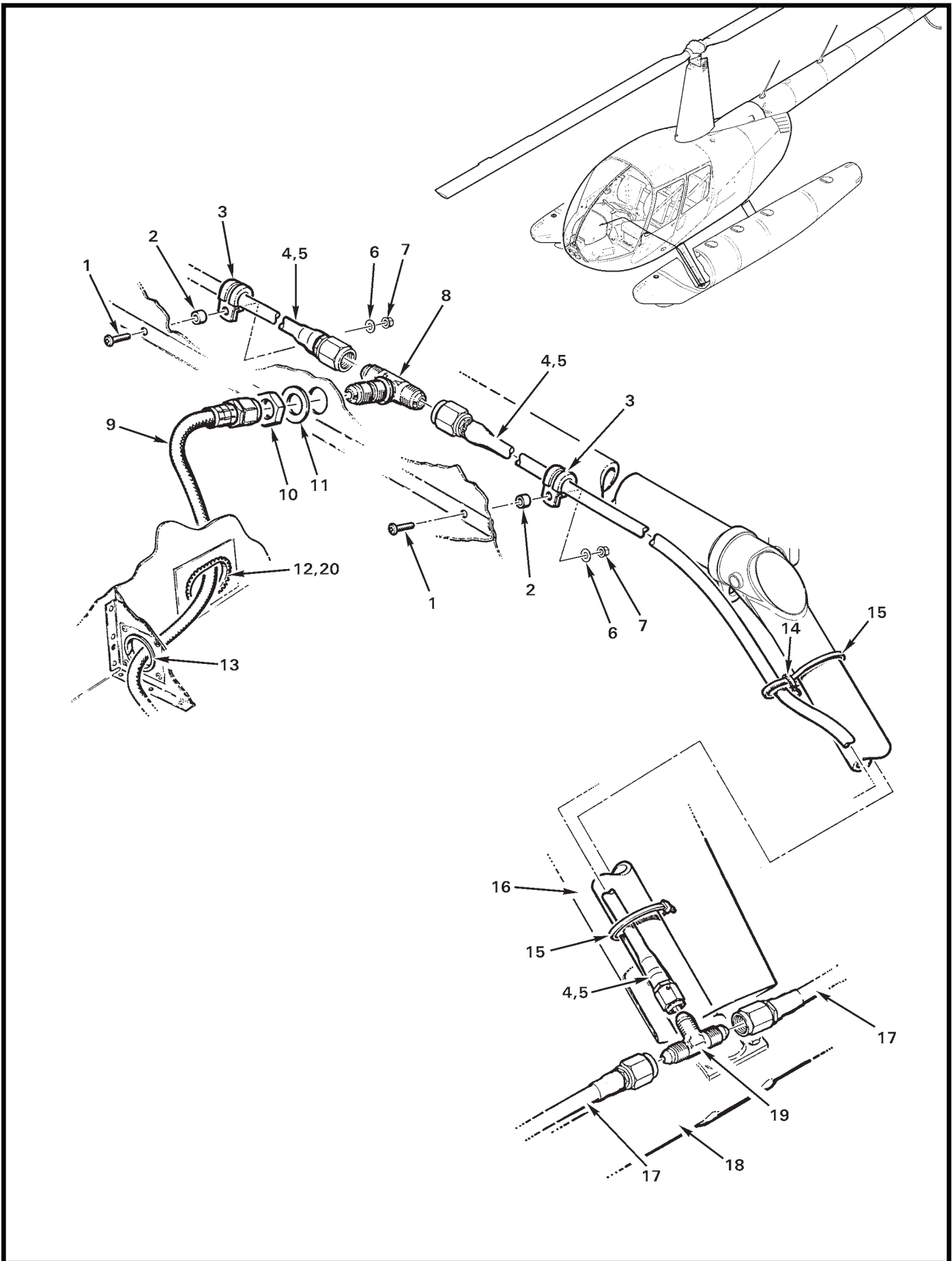


FIGURE AND INDEX NUMBER	PART NUMBER	DESCRIPTION	PARTS AVAIL	QTY PER ASSY
POP-OUT FLOATS – HOSES INSTALLATION*				
32-27-1	MS27039C1-12	Screw	X	2
2	C130-26	Spacer	X	2
3	MS21919WDG10	Clamp	X	2
4	D674-2	Hose Assembly (Incl item 5)	X	2
5	B158-16	Heat Shrink (black, 1.00 in. dia.)	X	A/R
6	NAS1149F0332P	Washer	X	2
7	MS21042L3	Nut	X	2
8	AN834-8D	Tee	X	1
9	D674-1	Hose (from cylinder assembly; see also Figure 32-13)	X	1
10	AN924-8D	Nut	X	1
11	NAS1149F1290P	Washer	X	1
12	MS21266-1N	Grommet (install using item 20)	X	A/R
13	MS35489-20	Grommet	X	1
14	MS3367-5-9	Ty-Rap (or MS3367-7-9; used as a spacer at this location, LH and RH)	X	2
15	MS3367-7-9	Ty-Rap	X	A/R
16	C082-53	Fairing Assembly (Ref, forward LH; see Figure 32-9)		
17	D674-6	Line Assembly (see also Figure 32-23)	X	1
18	C014-25	Skid Tube Assembly – (LH, Ref)		
19	AN824-8D	Tee (LH and RH)	X	2
20	B270-8qt	Adhesive	X	A/R

NOTES * C014-28 landing gear shown. C014-17 landing gear hose installation is identical.

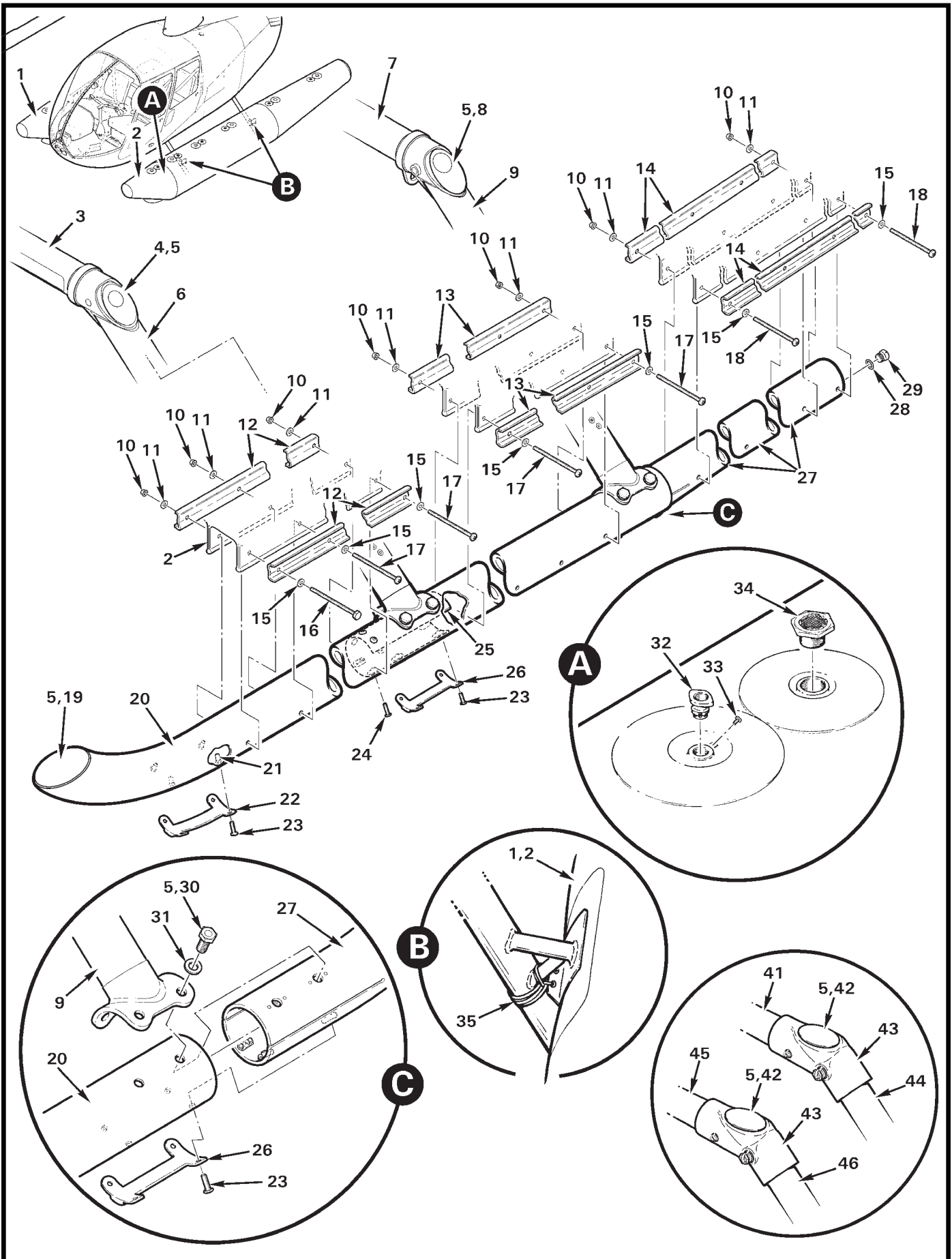


FIGURE AND INDEX NUMBER	PART NUMBER	DESCRIPTION	PARTS AVAIL	QTY PER ASSY
FIXED FLOATS – TUBE ASSEMBLIES INSTALLATION				
32-29-1	B900-7R	Float Tube Assembly* – RH (C949-4, includes items 32 thru 35; painted)	X	1
2	B900-7L	Float Tube Assembly* – LH (C949-3, includes items 32 thru 35; painted)	X	1
3	C241-4*	Cross Tube – Forward (Ref)		
4	F411-9	Cap – Forward (Ref)		
5	B270-1	Sealant (2-oz tube)	X	A/R
6	C239-15	Strut Assembly – Forward (Ref)		
7	C241-3	Cross Tube – Aft (Ref)		
8	C247-3	Cap – Aft (Ref)		
9	C239-14	Strut Assembly – Aft (Ref)	X	1
10	MS21042L3**	Nut	X	31
11	NAS1149F0332P	Washer (or NAS1149F0363P)	X	31
12	C944-1	Strip (LH and RH)	X	2
13	C944-2	Strip (LH and RH)	X	2
14	C944-3	Strip (LH and RH)	X	2
15	NAS1149F0332P	Washer (or NAS1149F0363P)	X	A/R
16	AN3-32A	Bolt (or MS27039DD1-47 or 51 screw)	X	2
17	MS27039DD1-51**	Bolt (or MS27039DD1-47, or AN3-32A bolt; forward and middle girts)	X	20
18	MS27039DD1-47**	Bolt (or MS27039DD1-47, or AN3-32A bolt; aft girts)	X	11
19	C247-1	Rain Cap (install using item 5)	X	1
20	C014-15	Skid Tube Assembly LH (Incl items 5, 19, and 21 thru 26)	X	1
	C014-16	Skid Tube Assembly (RH, Incl items 5, 19, and 21 thru 26)	X	1
21	NAS1330H3K116L	Rivnut	X	12
22	A667-8	Skid Shoe (curved)	X	1
23	A142-1	Screw	X	20
24	A142-3	Screw	X	4
25	C246-5	Liner Assembly (left skid)	X	1
	C246-6	Liner Assembly (right skid, not shown)	X	1
26	A667-7	Skid Shoe (straight)	X	4
27	C945-1	Skid Extension (LH)	X	1
	C945-2	Skid Extension (RH, not shown)	X	1
28	A215-013	O-Ring	X	1
29	B202-1	Drain Plug Assembly (Incl item 28)	X	1
30	NAS6606-4	Bolt (install using item 5)	X	8

NOTES * See Figure 99-25 for shipping crate.
 ** Install using item 5.

Continues

FIGURE AND INDEX NUMBER	PART NUMBER	DESCRIPTION	PARTS AVAIL	QTY PER ASSY
FIXED FLOATS – TUBE ASSEMBLIES INSTALLATION (Cont'd)				
32-29-31	NAS1149F0663P	Washer	X	8
32	4RA1190-2	Hand Pump Fitting (Incl item 33)	X	6
33	—	Screw	X	6
34	3MA1009-4	Pressure Relief Valve	X	6
35	M11029	Lacing (parachute cord)	O	2
36	C014-18A	Landing Gear Assembly with Floats (Incl items 1, 2, 5, 10 thru 18, 29, and 38)	X	1
37	B900-7	Float Assembly Set – Utility (Incl items 1 and 2)	X	1
38	C014-29*	Landing Gear Assembly – Utility Floats (Ref; includes items 3, 5 thru 7, 9, 19 thru 27, 30, and 31. See also Figure 32-1.) . . .	X	1
39	MT340-1	Float Gauge and Fill Gun Kit (not shown)	X	1
40	KI-83-1	Float Repair Kit (not shown)	X	1
* * *				
41	C241-1**	Cross Tube – Aft (Ref)		
42	C247-2**	Rain Cap (install using item 5)	X	4
43	C240-1**	Elbow (Ref)		
44	C014-20**	Strut Assembly – Aft (includes elbow and rain cap)	X	1
45	C241-2**	Cross Tube – Forward (Ref)		
46	C014-21	Strut Assembly – Forward (includes elbow and rain cap)	X	1

NOTES * See Figure 99-25 for shipping crate.
 ** For earlier R44s with C014-19 landing gear assembly installed. See Figure 32-5.

Intentionally Blank

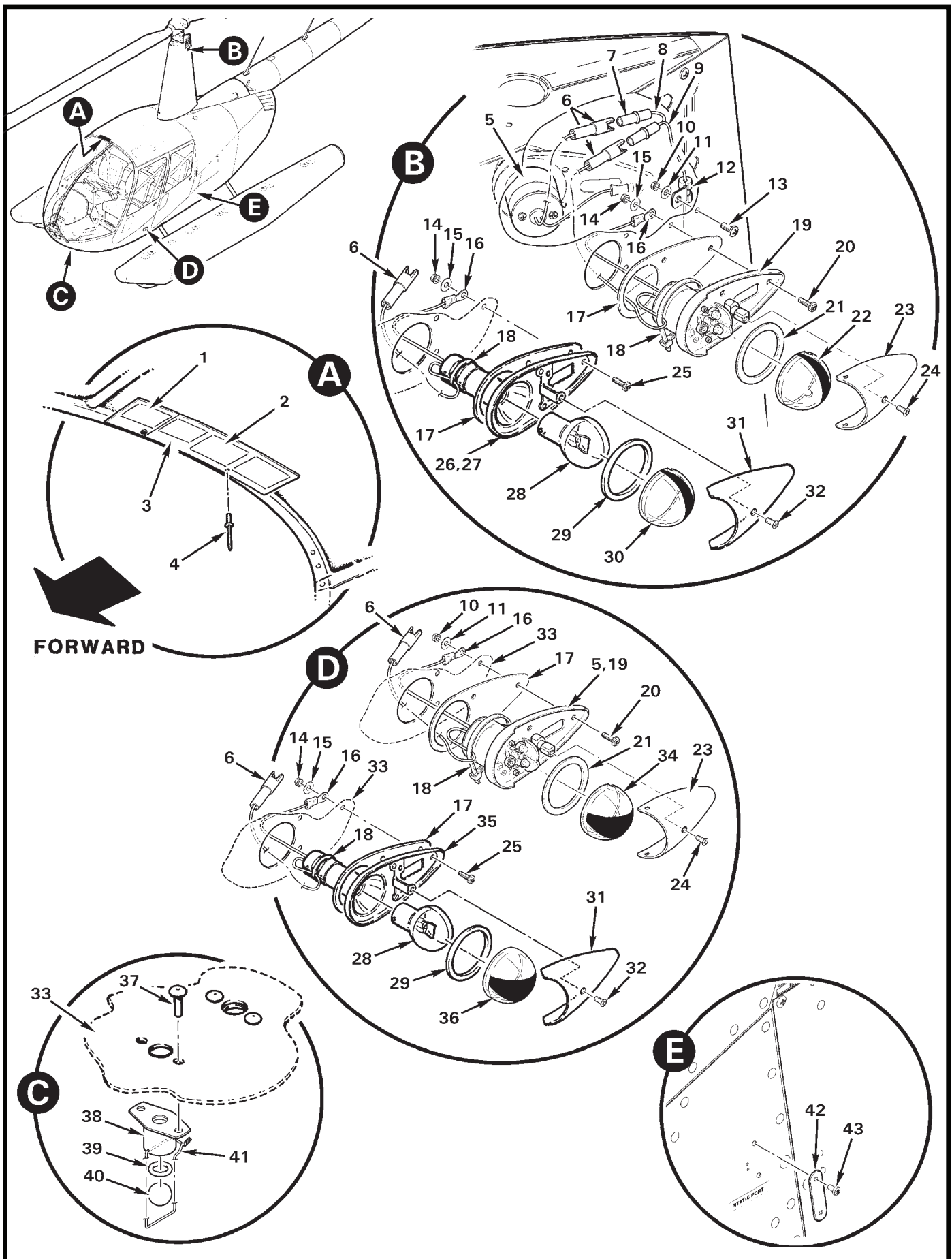


FIGURE AND INDEX NUMBER	PART NUMBER	DESCRIPTION	PARTS AVAIL	QTY PER ASSY
		FIXED FLOATS – COMPONENTS		
32-33-1	PAI-DE-CARD	Compass Deviation Placard (Ref, for use with vertical card compass. See also Figure 95-23.)		
2	C654-25	Decal – Flight Limitations (ship S/N 0001 thru 9999, utility floats)	X	1
	D682-15	Decal – Flight Limitations (ship S/N 10001 and higher, utility floats)	X	1
3	A725-4	Mount	X	1
4	B204-1	Rivet (blind; Avdel part no. 1693-0410)	X	2
5	A039-22	Aux Position Light Assembly – RH (Green LED, 14V; includes items 6, 16, and 21 thru 24)	X	1
	A039-20	Aux Position Light Assembly – RH (Green LED, 28V; includes items 6, 16, and 21 thru 24)	X	1
6	B263-10	Housing (one to each light assembly, one at base of mast fairing)	X	3
	B263-1	Pin	X	3
7	B263-11	Housing (one at each light assembly, one at base of mast fairing)	X	3
	B263-2	Socket	X	3
8	-485	Wire (Ref; jumper)		
9	-486	Wire (Ref)		
10	MS21042L08	Nut	X	5
11	NAS1149FN816P	Washer	X	5
12	MS21919WDG2	Clamp (secures wire to mast fairing)	X	5
13	MS27039C0806	Screw	X	5
14	MS21042L06	Nut	X	3
15	NAS1149FN616P	Washer	X	3
16	B260-2	Terminal	X	1
17	A779-1	Gasket	X	1
18	MS3367-4-9	Ty-Rap	X	A/R
19	A039-21	Aux Position Light Assembly – LH (Red LED, 14V; includes items 6, 16, and 21 thru 24)	X	1
	A039-19	Aux Position Light Assembly – LH (Red LED, 28V; includes items 6, 16, and 21 thru 24)	X	1
20	MS35206-230	Screw	X	3
21	38-0230021-00*	Gasket	O	1
22	D369-7	Lens (clear/shaded)	X	2
23	19-150002-010*	Retainer	O	1

NOTES * Whelen part no.

Continues

FIGURE AND INDEX NUMBER	PART NUMBER	DESCRIPTION	PARTS AVAIL	QTY PER ASSY
FIXED FLOATS – COMPONENTS (Cont'd)				
32-33-24	14-0050508-27	Screw	O	1
25	MS24693-S27	Screw	X	3
26	A039-13	Aux Position Light Assembly – LH (red lens, incandescent, no longer available; to replace order items 19 and 22)	X	1
27	A039-12	Aux Position Light Assembly – RH (green lens, incandescent, no longer available; to replace order items 5 and 22)	X	1
28	W1290-14*	Lamp (14-volt)	X	1
	W1290-28*	Lamp (28-volt)	X	1
29	A455*	Gasket	X	1
30	D369-3	Lens – LH (red/shaded)	X	1
	D369-4	Lens – RH (green/shaded, not shown)	X	1
31	W1282*	Lens Retainer	X	1
32	—	Screw	O	1
33	C272-1	Chin (Ref)		
34	D369-5	Lens – LH (clear/shaded)	X	1
	D369-6	Lens – RH (clear/shaded; not shown)	X	1
35	A039-4	Position Light Assembly – LH (Ref, no longer available. To replace order items 19 and 22.)		
	A039-5	Position Light Assembly – RH (Ref, no longer available. To replace order items 5 and 22.)		
36	D369-1	Lens – LH (red/shaded)	X	1
	D369-2	Lens – RH (green/shaded, not shown)	X	1
37	MS20470AD3	Rivet	X	4
38	D371-4	Drain Valve Assembly (includes items 39 thru 41; install using item 44)	X	2
39	A215-010	O-Ring	X	1
40	B208-10	Ball	X	1
41	MS20995C32	0.032 in. dia. Safety Wire	X	A/R
42	D372-2	Air Dam	X	2
43	MS35206-213	Screw	X	4
44	B270-1	Sealant	X	A/R

NOTES * Whelen part no.