

CHAPTER 33**LIGHTS**

<i>Figure</i>	<i>Title</i>	<i>Page</i>
33-1	Strobe Light Installation	33.0
33-3	Navigation Lights Installation	33.2
33-7	HID Landing Lights Installation	33.6
33-9	Cabin Interior Lighting Installation	33.8
33-13	Spotlight Installation	33.12
33-15	MRGB LED Light System	33.14

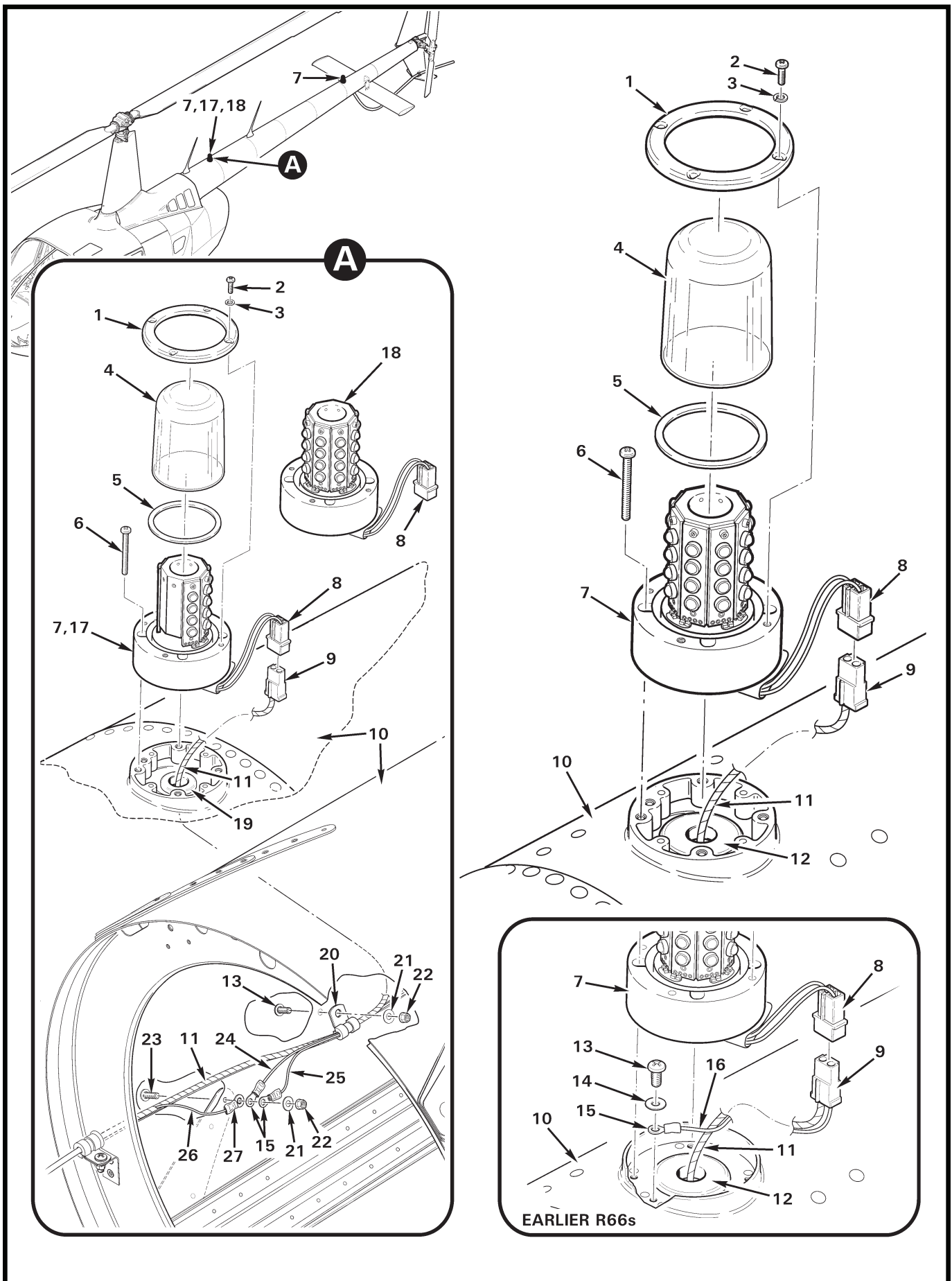


FIGURE AND INDEX NUMBER	PART NUMBER	DESCRIPTION	PARTS AVAIL	QTY PER ASSY
STROBE LIGHT INSTALLATION				
33-1-1	19-171047-100*	Retainer	O	1
2	14-0050505-14*	Screw	O	4
3	16-0050506135*	Lockwasher (MS35338-135)	O	4
4	68-4971082A30*	Lens	O	1
5	38-0250885-00*	Gasket	O	1
6	MS35206-234	Screw	X	4
7	A708-13**	Strobe Light Assembly – Red LED (Incl items 1 thru 5, and 8)	X	1
8	02-0230007-00*	Housing	O	1
	—	Pin	O	2
9	B263-13	Housing	X	1
	B263-2	Socket	X	2
10	C023	Tailcone Assembly (Ref)		
11	B161-2	Spirap	X	A/R
12	MS35489-15	Grommet	X	1
13	MS27039C0806	Screw (or MS27039C0805, ENG ships)	X	1
14	NAS1149FN832P	Washer	X	1
15	B260-3	Terminal	X	A/R
16	-2039	Wire (Ref; ground, aft strobe light, earlier R66s)		
17	A708-16**	Strobe Light Assembly – White LED (Includes items 1 thru 5, and 8. Orient with blank strips facing forward.)	X	1
18	A708-15**	Strobe Light Assembly – Blue LED (R66 Police only. Includes items 1 thru 5, and 8.)	X	1
19	MS35489-11	Grommet	X	1
20	MS21919WDG2	Clamp	X	1
21	NAS1149FN816P	Washer	X	2
22	MS21042L08	Nut	X	2
23	MS27039C0808	Screw	X	1
24	-2039	Wire (Ref; ground, aft strobe light)		
25	-2734**	Wire (Ref; ground, forward strobe light)		
26	-2854	Wire (Ref; ground, tailcone)		
27	B260-9	Terminal	X	1

NOTES * Whelen part number.
 ** Forward strobe light installation is optional equipment.

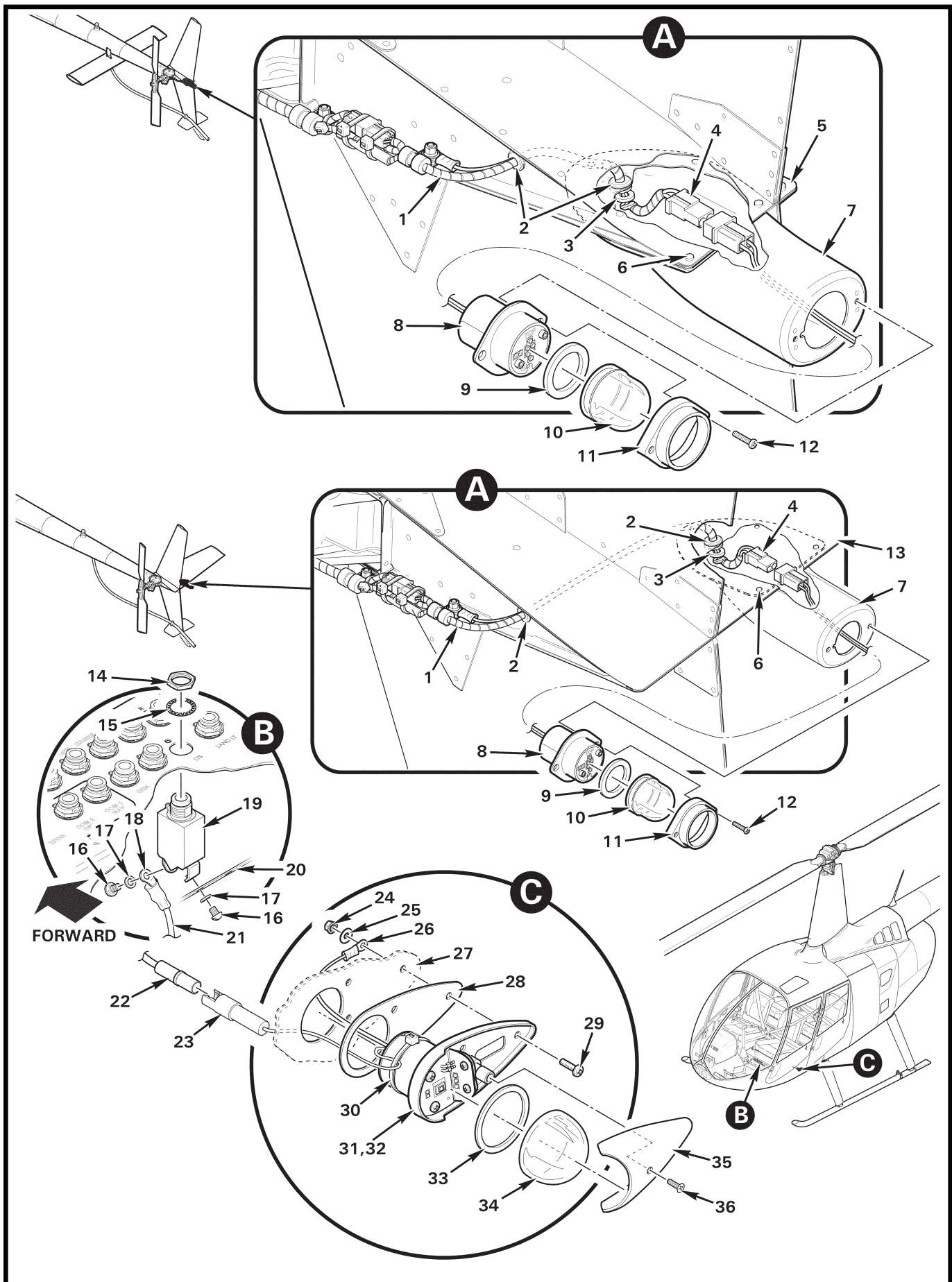


FIGURE AND INDEX NUMBER	PART NUMBER	DESCRIPTION	PARTS AVAIL	QTY PER ASSY
NAVIGATION LIGHTS INSTALLATION				
33-3-1	D049-8	Wire Harness – Tail Light (Ref, see Figure 53-25)		
2	MS35489-4	Grommet	X	2
3	90295A075	Washer	X	1
4	B263-13	Housing	X	1
	B263-2	Socket	X	2
5	F044-1	Mount Assembly (Ref, see Figure 53-25)		
6	MS20470AD3	Rivet	X	2
7	C529-1	Mount Assembly – Tail Light	X	1
8	01-0771554-01*	Tail Light Assembly (LED; includes items 9 thru 12)	X	1
9	38-0231061-00*	Gasket	O	1
10	68-3970991-30*	Lens	O	1
11	19-0150350-03*	Lens Retainer	O	1
12	14-0050505-18*	Screw	O	1
13	C044	Stabilizer – Horizontal (Ref, see Figure 53-29)		
14	—	Nut	O	1
15	—	Lockwasher	O	1
16	—	Screw	O	2
17	—	Washer	O	2
18	B260-2	Terminal (Ref)		
19	B297-5	Circuit Breaker (5 amp; includes items 14 thru 17)	X	1
20	A448	Bus Bar (Ref)		
21	-104	Wire (Ref)		
22	B263-11	Housing (Ref)		
	B263-2	Socket (Ref)		
23	B263-10	Housing	X	1
	B263-1	Socket	X	1
24	MS21042L06	Nut	X	3
25	NAS1149FN616P	Washer	X	3
26	B260-2	Terminal	X	1
27	F272	Chin Assembly (Ref)		
28	A779-1	Gasket	X	1
29	MS35206-230	Screw	X	3
30	MS3367-5-0	Ty-Rap	X	2

NOTES * Whelen part number.

Continues

FIGURE AND INDEX NUMBER	PART NUMBER	DESCRIPTION	PARTS AVAIL	QTY PER ASSY
NAVIGATION LIGHTS INSTALLATION (Cont'd)				
33-3-31	A039-20	Position Light Assembly – RH (LED; includes items 18, 23, and 33 thru 36)	X	1
	01-0771105-03*	Position Light (green LEDs)	X	1
32	A039-19	Position Light Assembly – LH (LED; includes items 18, 23, and 33 thru 36)	X	1
	01-0771105-04*	Position Light (red LEDs)	X	1
33	38-0230021-00*	Gasket	O	1
34	68-3950902A30*	Lens (clear)	O	1
35	19-150002-010*	Retainer	O	1
36	14-0050508-27*	Screw	O	1

NOTES * Whelen part number.

Intentionally Blank

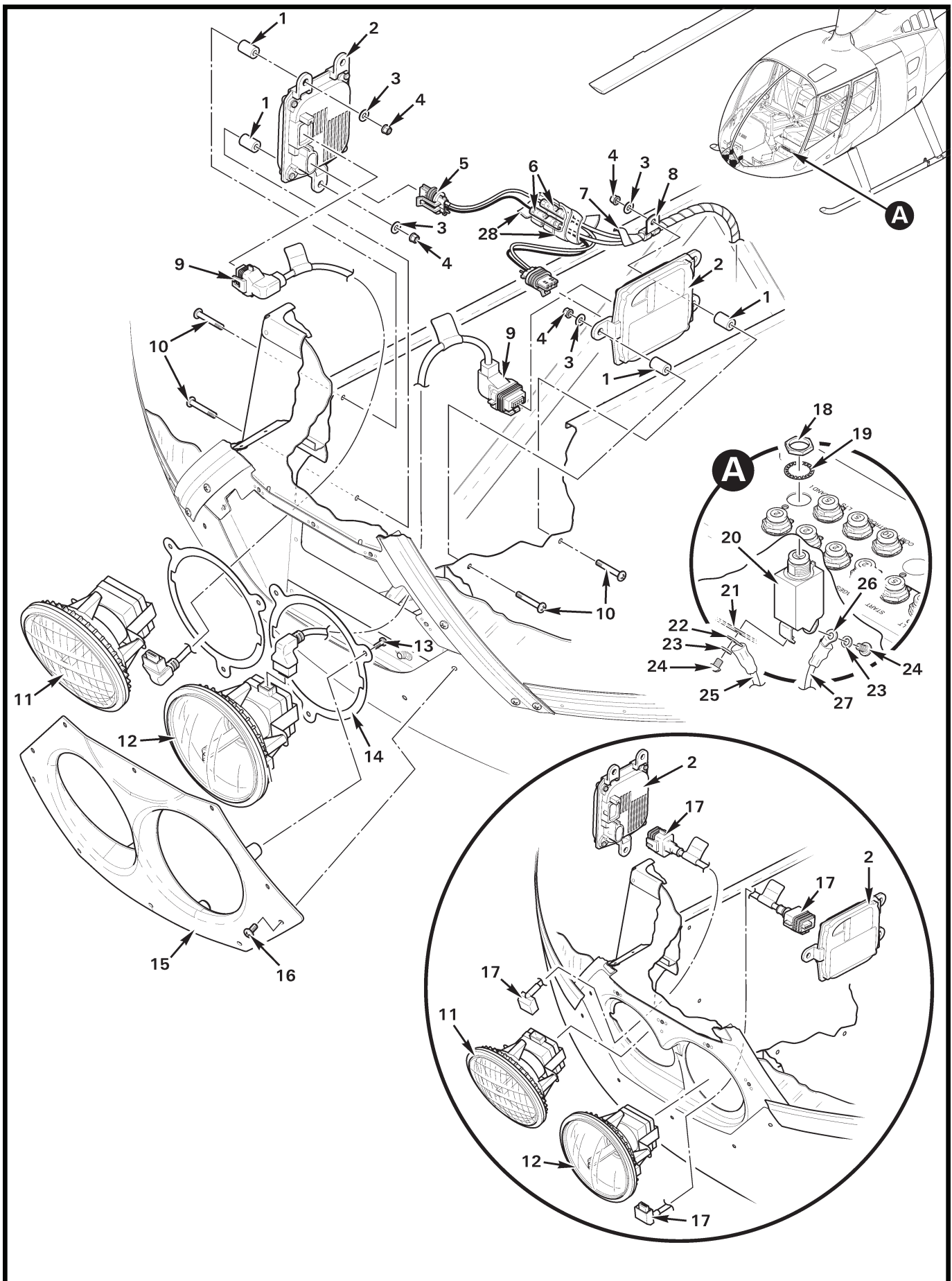


FIGURE AND INDEX NUMBER	PART NUMBER	DESCRIPTION	PARTS AVAIL	QTY PER ASSY
HID LANDING LIGHTS INSTALLATION				
33-7-1	A130-38	Spacer	X	4
2	B557-3	Ballast (28-volt; includes item 5)	X	2
3	NAS1149FN832P	Washer	X	4
4	MS21042L08	Nut	X	4
5	B557-7	Power Cord (connector and wires)	O	2
6	B261-3	Splice	X	2
7	B161-2	Spirap	X	A/R
8	MS21919WDG4	Clamp	X	1
9	B557-8	Cable (90° X 90°)	X	2
10	MS27039C0816	Screw	X	4
11	B557-2	Lamp – RH (HID, taxi)	X	1
12	B557-1	Lamp – LH (HID, landing)	X	1
13	MS35206-228	Screw	X	6
14	C526-3	Retainer	X	2
15	C526-2	Bezel	X	1
	B270-13	Sealant (along three top edges only)	X	A/R
	C526-1	Retainer (earlier aircraft, not shown)	X	1
16	AN526C832R8	Screw (Ref)		
17	B557-4	Cable (90° X Straight, earlier ships)	X	2
18	—	Nut	O	1
19	—	Washer	O	1
20	B297-7	Circuit Breaker (7.5 amp; includes items 18, 19, 23, and 24)	X	1
21	A448-4	Bus Bar (Ref)		
22	B260-11	Terminal (Ref)		
23	—	Washer	O	2
24	—	Screw	O	2
25	-102	Wire (Ref)		
26	B260-2	Terminal	X	1
27	-103	Wire (Ref; landing light relay)		
28	B161-4	Spirap	X	A/R

NOTES

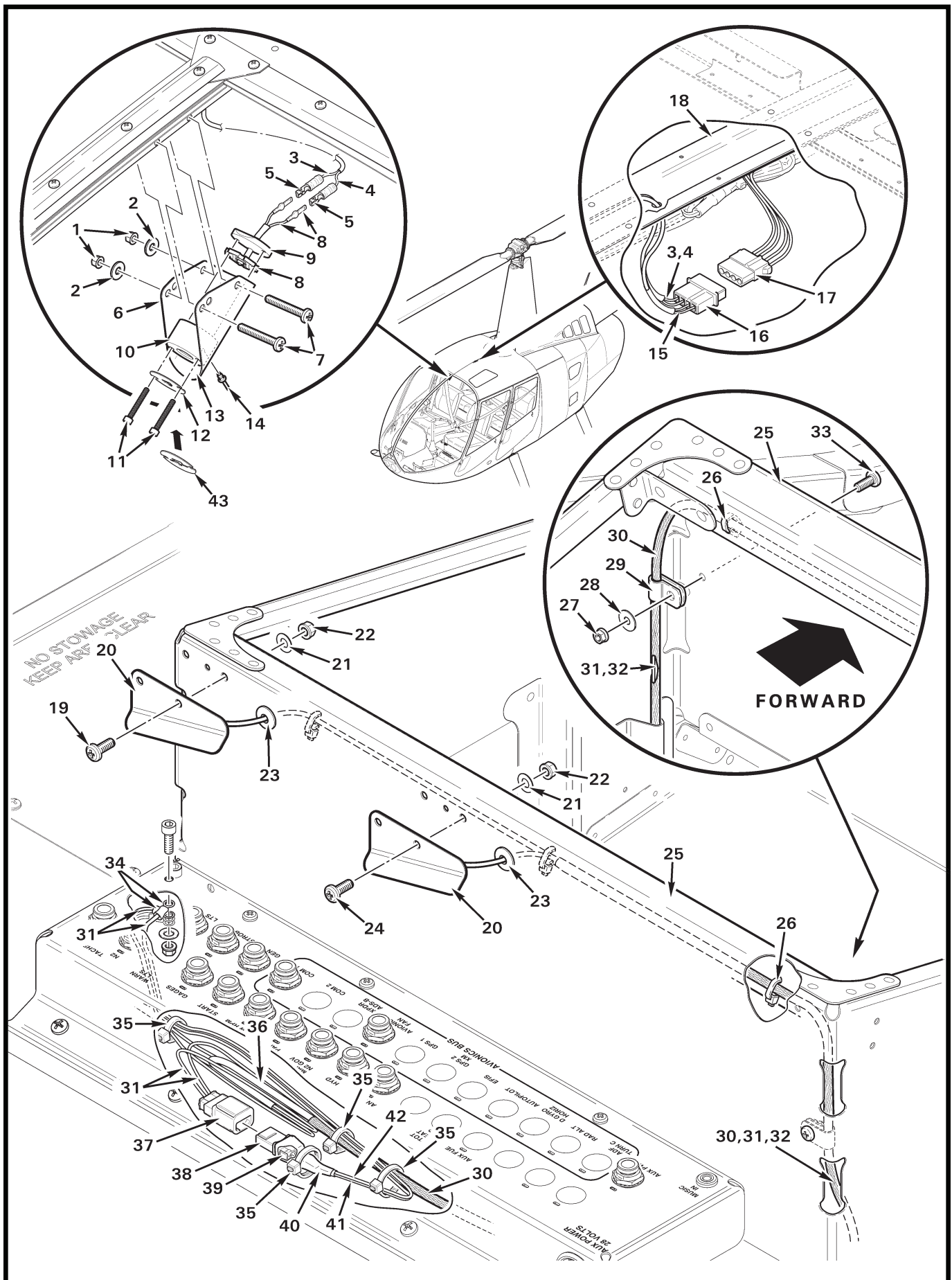


FIGURE AND INDEX NUMBER	PART NUMBER	DESCRIPTION	PARTS AVAIL	QTY PER ASSY
CABIN INTERIOR LIGHTING INSTALLATION				
33-9-1	NAS1291C08M	Nut	X	2
2	NAS1149DN816J	Washer	X	2
3	F090-2289	Wire (Ref)		
4	F090-2290	Wire (Ref)		
5	B262-1	Terminal	X	2
6	G196-8	Light Assembly – Console (Includes items 8 thru 14. For ENG ships also order item 43 when replacing.)	X	1
7	MS35214-47	Screw	X	2
8	G196-2	LED Assembly	X	1
9	G197-5	Cover	X	1
10	G197-10	Housing	X	1
11	91251A113	Screw	X	2
12	G197-9	Window	X	1
13	G197-11	Bracket	X	1
14	NAS9301B-4-02	Rivet	X	1
15	F090-125	Wire (Ref, compass light)		
	F090-126	Wire (Ref, compass light)		
16	B263-16	Housing	X	1
	B263-1	Pin	X	4
17	B263-17	Housing	X	1
	B263-2	Socket	X	4
18	F087-3	Support – Roof (Ref)		
19	MS27039C0806	Screw	X	2
20	G196-7	Light Assembly – Circuit Breaker Panel (Incl items 23, 31,32, and 34)	X	2
21	NAS1149FN816P	Washer	X	4
22	MS21042L08	Nut	X	4
23	MS35489-4	Grommet	X	2
24	MS27039C0805	Screw	X	2
25	F297-1	Support – Seat (Ref; forward, LH)		
26	MS3367-4-0	Ty-Rap	X	4
27	MS21042L06	Nut	X	1
28	NAS1149FN616P	Washer	X	1
29	N-3-BK	Clamp	X	1
30	B266-4	Sleeving	X	A/R

NOTES

Continues

FIGURE AND INDEX NUMBER	PART NUMBER	DESCRIPTION	PARTS AVAIL	QTY PER ASSY
CABIN INTERIOR LIGHTING INSTALLATION (Cont'd)				
33-9-31	G196-2291	Wire (Ref; ground)		
32	G196-127	Wire (Ref; power)		
33	MS35206-228	Screw	X	1
34	B260-3	Terminal	X	1
35	MS3367-4-9	Ty-Rap	X	A/R
36	B158-2	Heat Shrink	X	A/R
37	D269-1	Plug	X	1
38	D269-2	Receptacle	X	1
39	D269-21	Backshell	X	1
40	B158-6	Heat Shrink	X	A/R
41	F859-127	Wire (Ref; power)		
42	F859-2328	Wire (Ref; power)		
43	G197-13	Window (ENG ships)	X	1

NOTES

Intentionally Blank

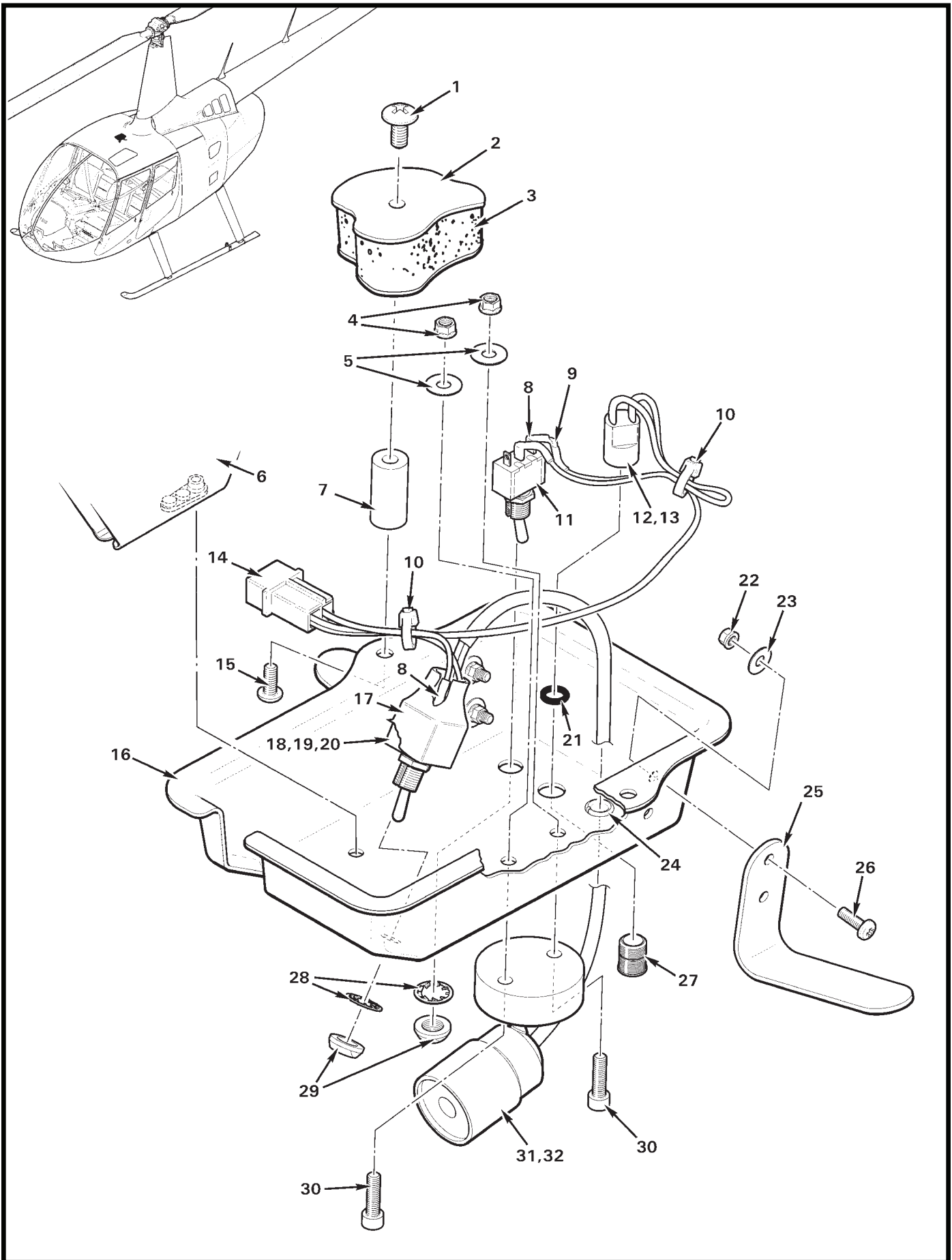


FIGURE AND INDEX NUMBER	PART NUMBER	DESCRIPTION	PARTS AVAIL	QTY PER ASSY
		SPOTLIGHT INSTALLATION*		
33-13-1	AN526C832R6	Screw	X	2
2	F273-1	Roof (Ref)		
3	F003	Insulation – Fwd (RH, Ref)		
4	MS21042L06	Nut	X	2
5	NAS1149FN616P	Washer	X	2
6	D118-1 *	Bracket Assembly (Ref)		
7	C710-3	Spacer	X	2
8	B158-2	Heat Shrink (around leads)	X	A/R
9	B0207C1K210F5T	Resistor	X	1
10	MS3367-4-9	Ty-Rap	X	2
11	B300-1	Switch Assembly (Incl items 28 and 29)	X	1
12	CNX310000X4112	Connector	X	1
13	E1003	LED (not shown)	X	1
14	B263-12	Housing	X	1
	B263-1	Pin	X	2
15	MS27039C0806	Screw	X	2
16	C712-2	Cover	X	1
17	B158-12	Heat Shrink	X	A/R
18	B0207C1K650F5T	Resistor (not shown)	X	1
19	B0207C3K400F5T	Resistor (not shown)	X	1
20	B300-5	Switch Assembly (Incl items 28 and 29)	X	1
21	A215-008	O-Ring	X	1
22	MS21042L04	Nut	X	4
23	NAS1149FN416P	Washer	X	4
24	NAS557-3A	Grommet	X	1
25	A752-1	Angle	X	2
26	MS35206-215	Screw	X	4
27	CMC321-CTP	Lens	X	1
28	B227-3	Lockwasher	X	2
29	B227-4	Dress Nut	X	2
30	NAS1352-06-8	Screw	X	2
31	D606-1	Spotlight	X	1
32	C039-3**	Cover Assembly – Spotlight	X	1

NOTES * For non-air conditioned ships. For air-conditioned ships, see Figure 21-21.
 ** Assembly includes items 4, 5, 8 thru 14, and 16 thru 31.

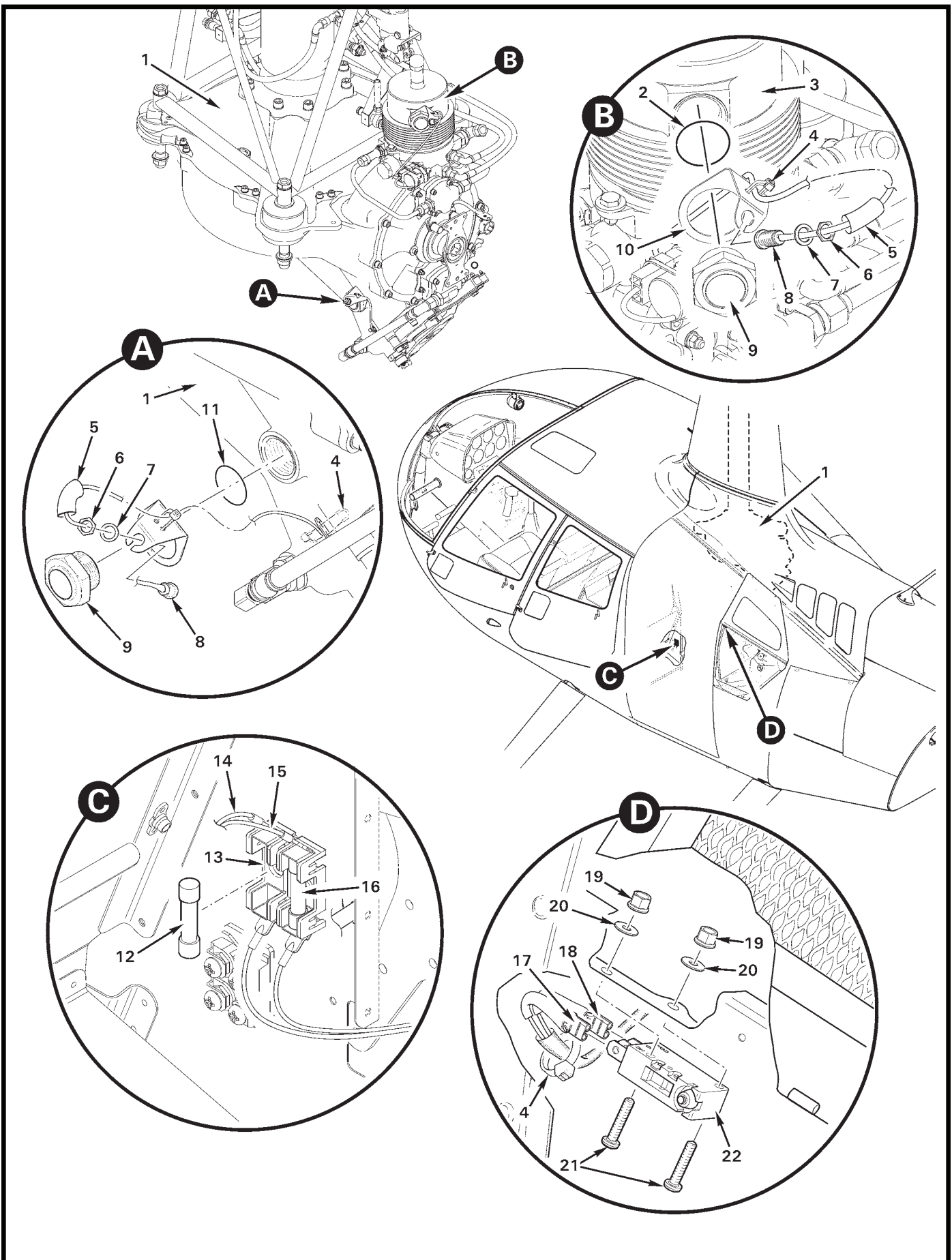


FIGURE AND INDEX NUMBER	PART NUMBER	DESCRIPTION	PARTS AVAIL	QTY PER ASSY
MRGB LED LIGHT SYSTEM				
33-15-1	F006-1	Main Rotor Gearbox Assembly (Ref; see Figure 63-3)		
2	MS28775-020	Packing (o-ring)	X	1
3	D211-3	Hydraulic System Reservoir Assembly (Ref)		
4	MS3367-4-9	Ty-Rap	X	A/R
5	B158-6	Heat Shrink	X	A/R
6	—	Nut (Ref)		
7	—	Washer (Ref)		
8	F049-01	Harness Assembly (Ref; includes items 5 thru 7)		
9	B563-2	Sight Gage	X	2
10	D494-2	Holder	X	1
11	A215-020	O-ring	X	1
12	AGC-1-R	Fuse (1 amp)	X	1
13	B304-12	Diode Assembly (includes items 12 and 16; see also Figure 96-5)	X	1
14	-2322	Wire (Ref)		
15	-66	Wire (Ref)		
16	AGC-3-R	Fuse (Ref; 3 amp)		
17	-2220	Wire (Ref; NC)		
18	-2322	Wire (Ref; Com)		
19	MS21042L04	Nut	X	2
20	NAS1149FN416P	Washer	X	2
21	MS35206-218	Screw	X	2
22	D2VW-5L3-1HS	Switch	X	1

NOTES

Intentionally Blank