

**CHAPTER 98**

**WIRING DIAGRAMS**

| <i>Figure</i> | <i>Title</i>   | <i>Page</i> |
|---------------|--|-------------|
| 98-1          | R66 Electrical System (F024-2 Revision V) . . . . .  | 98.1        |
| 98-2A         | R66 Electrical System (F024-2 Revision R) . . . . .  | 98.2A       |
| 98-2B         | R66 Electrical System (F024-1 Revision J) . . . . .  | 98.2B       |
| 98-3          | Air Conditioning Installation . . . . .  | 98.3        |
| 98-4          | ADF Installation . . . . .   | 98.5        |
| 98-5          | Standard Audio Installation (NAT AA12S-600 Audio Control) . . . . .                            | 98.7        |
| 98-6          | Dual Audio Control Installation . . . . .  | 98.9        |
| 98-7          | PA/Siren Installation . . . . .  | 98.11       |
| 98-8A         | Autopilot Installation . . . . .   | 98.13       |
| 98-8B         | Autopilot Installation . . . . .   | 98.14       |
| 98-9          | Garmin GDU 1060 Installation . . . . .   | 98.15       |
| 98-9A         | Garmin GDU 620 Installation . . . . .  | 98.16       |
| 98-10         | Garmin GSU 75 ADAHRS Installation . . . . .  | 98.17       |
| 98-11         | Garmin GDC 74H Air Data Computer Installation . . . . .  | 98.19       |
| 98-12         | Garmin GRS 77H AHRS Installation . . . . .   | 98.21       |
| 98-13         | Garmin GTN 6XX/7XX-series GPS Installation (G500H EFIS) . . . . .                              | 98.23       |
| 98-13A        | Avidyne IFD 4XX/5XX-series GPS Installation . . . . .  | 98.24A      |
| 98-13B        | Garmin 500 Series GPS Installation . . . . .   | 98.24C      |
| 98-13C        | Garmin 500 Series GPS Installation . . . . .   | 98.24D      |
| 98-14         | Radar Altimeter Installation . . . . .   | 98.25       |
| 98-15         | Garmin GTX 3X5 Transponder Installation . . . . .  | 98.27       |
| 98-16         | Garmin GTX 33/328/330 ES Transponder Installation . . . . .                                    | 98.29       |
| 98-17         | Garmin GDL 69A XM Receiver Installation . . . . .  | 98.31       |
| 98-18         | Aspen EFD1000H Display Installation . . . . .  | 98.33       |
| 98-19         | Aspen EFD500H Display Installation . . . . .   | 98.35       |
| 98-20         | Garmin GTR 225B / GNC 225B NAV/COM Radio Installation . . . . .                                | 98.37       |
| 98-21         | Garmin GTR 225B COM Radio Installation . . . . .   | 98.39       |
| 98-22         | Garmin GDL 88 ADS-B In Receiver Installation . . . . .   | 98.41       |
| 98-23         | Garmin GTN 6XX/7XX-series GPS Installation (Pilot-Side Console) . . . . .                      | 98.43       |
| 98-24         | F060 Intercom System Installation (Garmin GMA 350HC Audio Control) . . .                       | 98.45       |
| 98-25A        | F060-4, -5, -6 & -7 Intercom System Installation (Garmin GMA 350HC<br>Audio Control) . . . . . | 98.45B      |
| 98-25B        | F060-1 & -2 Intercom System Installation (Garmin GMA 350H Audio<br>Control) . . . . .          | 98.46       |

**CHAPTER 98**

**WIRING DIAGRAMS (Continued)**

| <i>Figure</i> | <i>Title</i>                                       | <i>Page</i> |
|---------------|--|-------------|
| 98-26         | Lithium-Ion Battery Installation . . . . .         | 98.47       |
| 98-27         | Heated Seats Installation . . . . .                | 98.51       |
| 98-28         | Cargo Hook Installation . . . . .                  | 98.53       |
| 98-29         | External Load Controls . . . . .                   | 98.55       |
| 98-30         | Copilot Instruments Installation . . . . .         | 98.57       |
| 98-31         | Bubble Door Fans Installation . . . . .            | 98.59       |
| 98-32         | Dual Low Fuel Warning Light Installation . . . . . | 98.61       |
| 98-33         | Fuel Flow Meter Installation . . . . .             | 98.61       |
| 98-34         | Pressure Fueling System Installation . . . . .     | 98.63       |

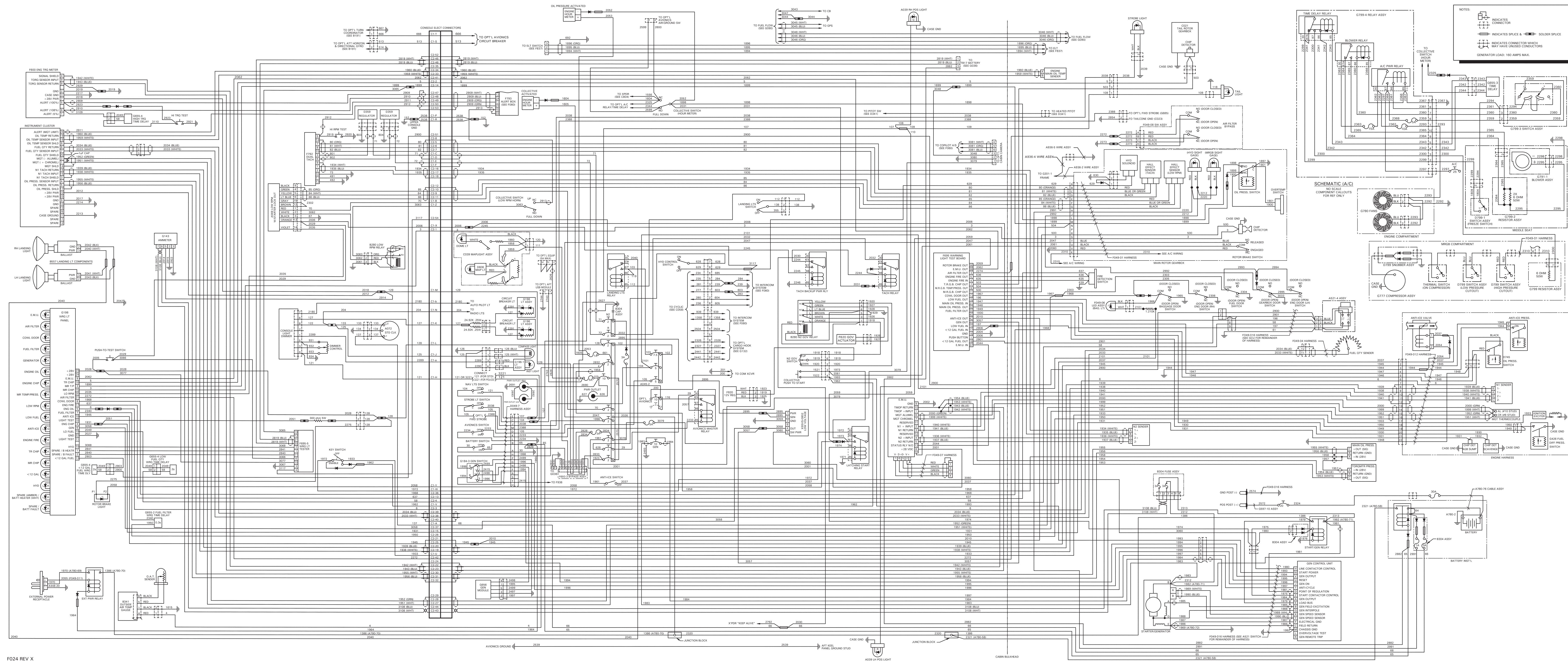


FIGURE 98-1 R66 ELECTRICAL SYSTEM (REVISION X)

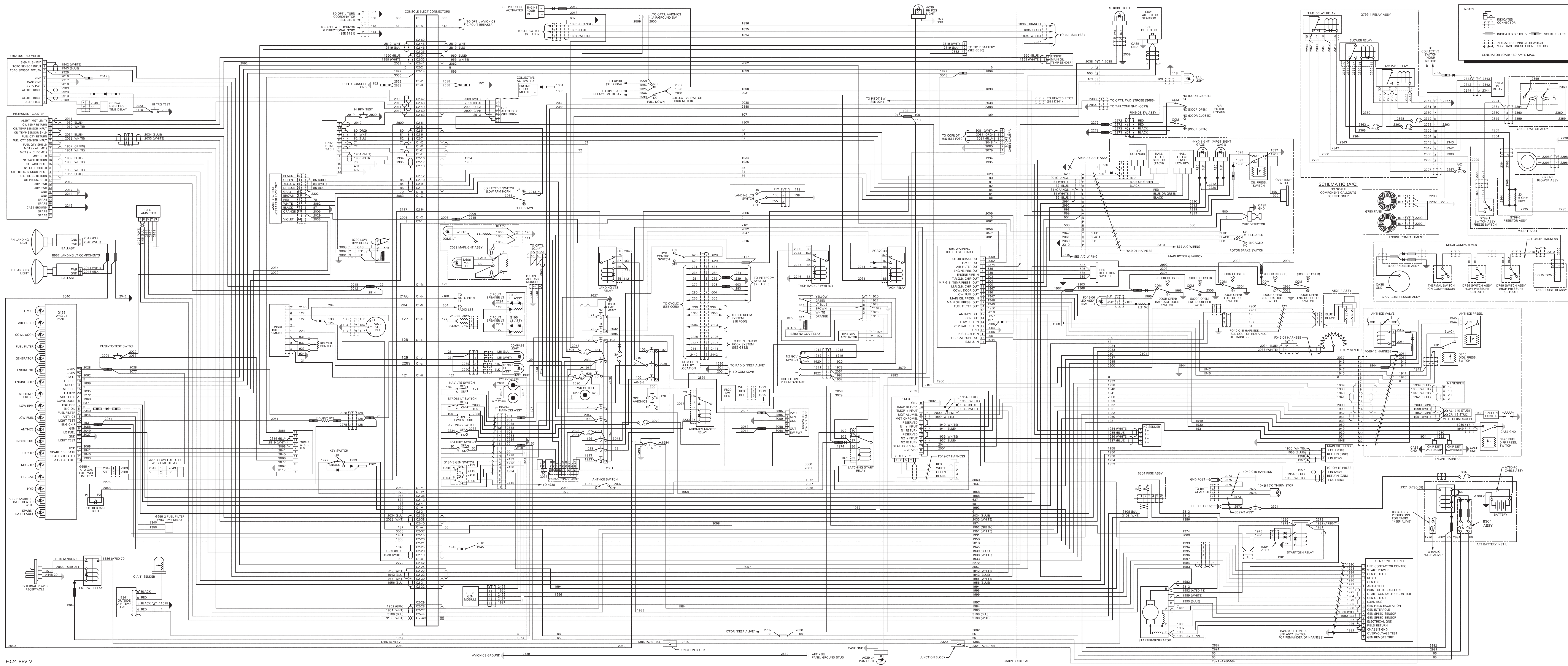


FIGURE 98-1A R66 ELECTRICAL SYSTEM (REVISION V)

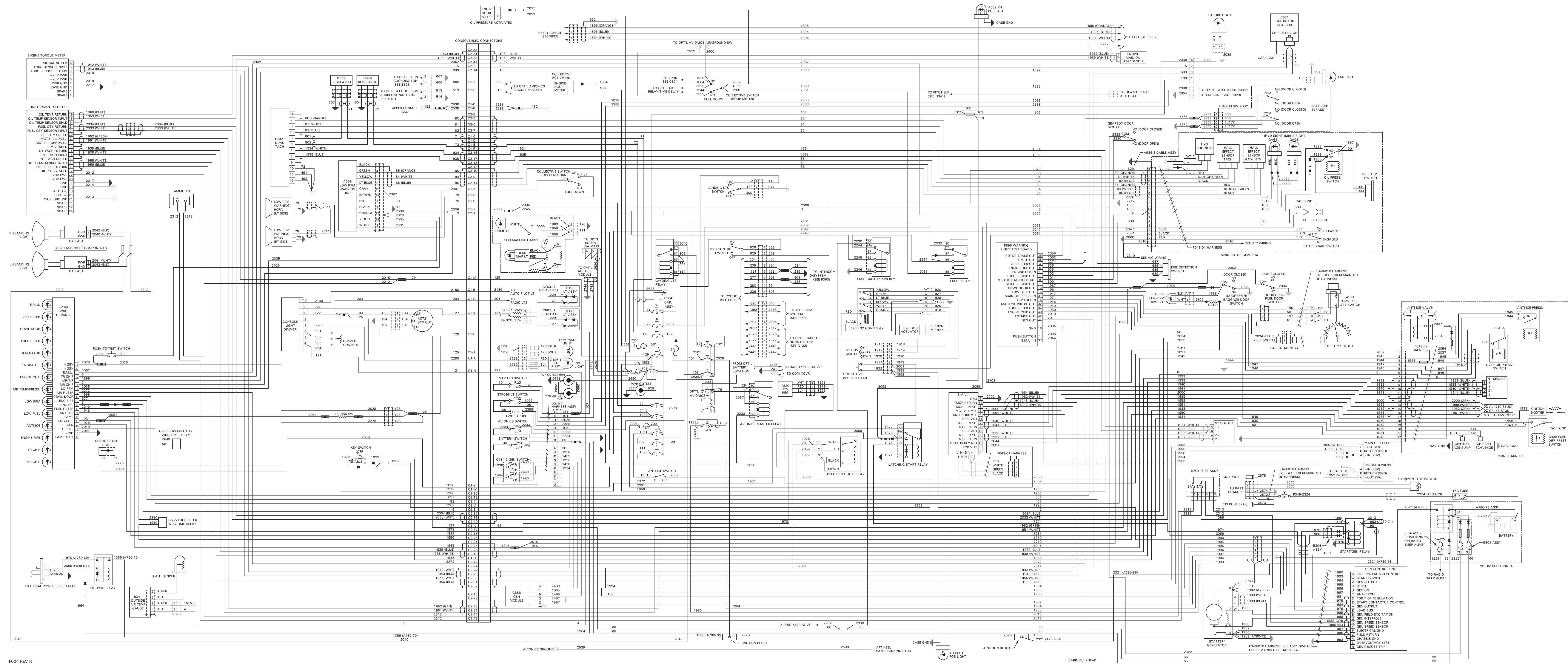


FIGURE 98-2A R66 ELECTRICAL SYSTEM (F024-2 REVISION R)

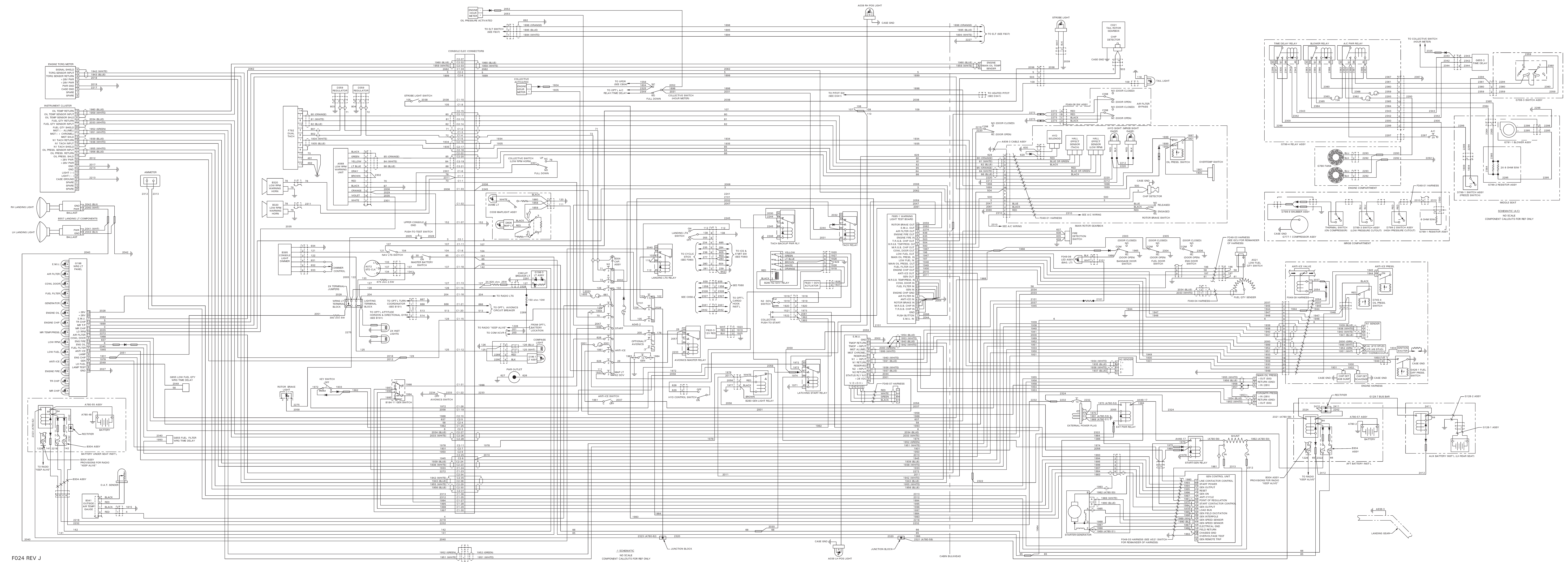
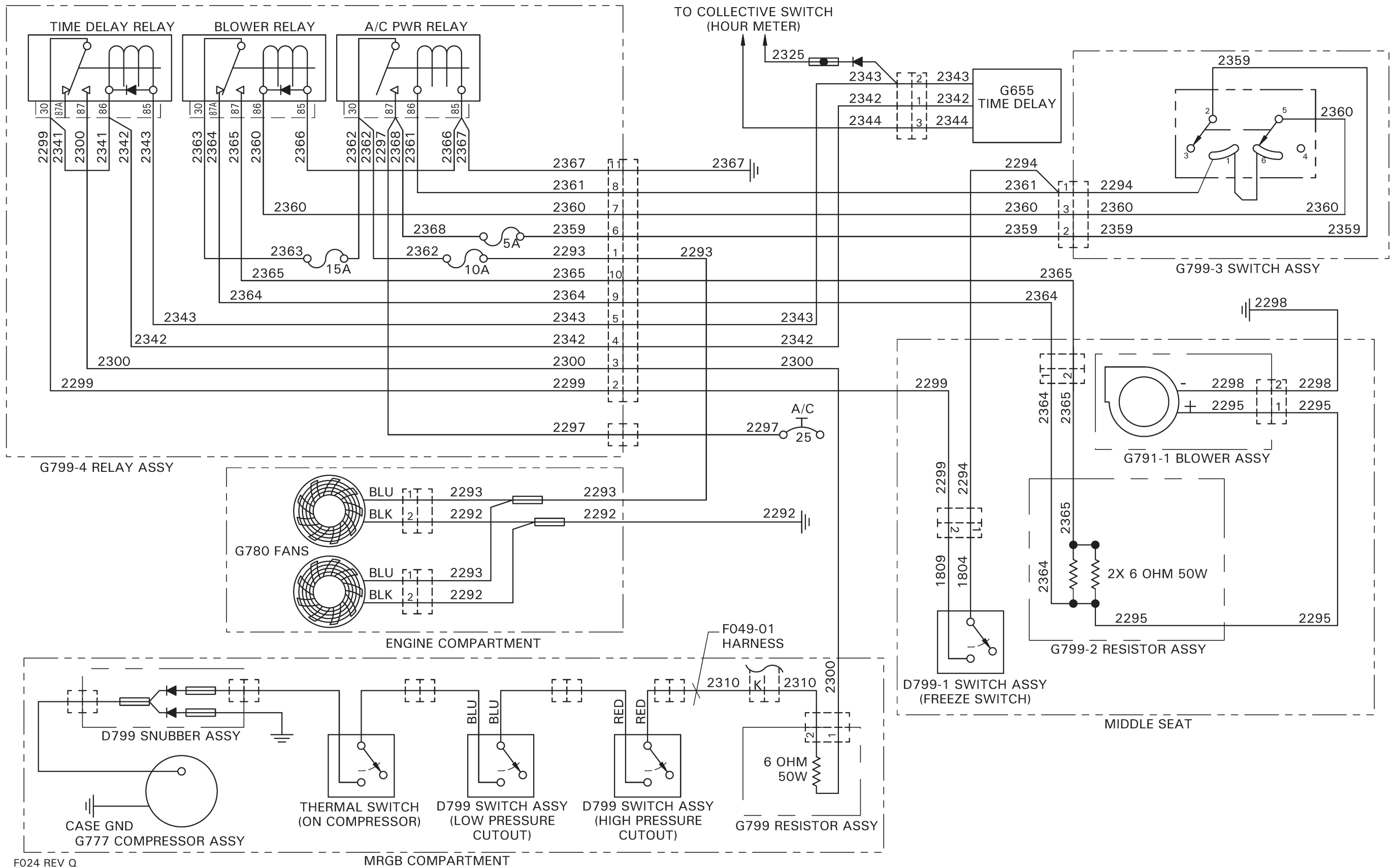


FIGURE 98-2B R66 ELECTRICAL SYSTEM (F024-1 REVISION J)

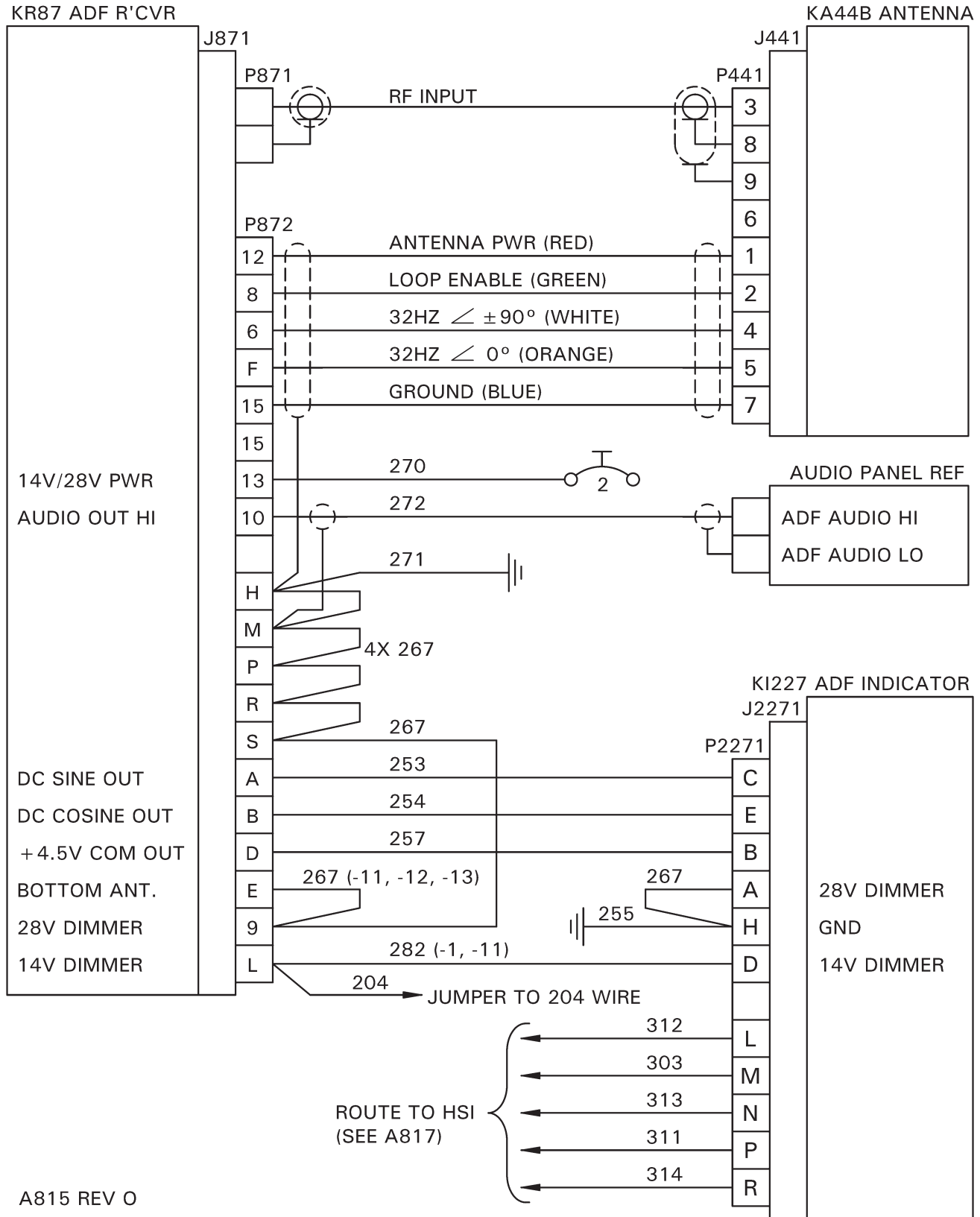


FO24 REV Q

FIGURE 98-3 AIR CONDITIONING INSTALLATION

Intentionally Blank





A815 REV O

FIGURE 98-4 ADF INSTALLATION

Intentionally Blank

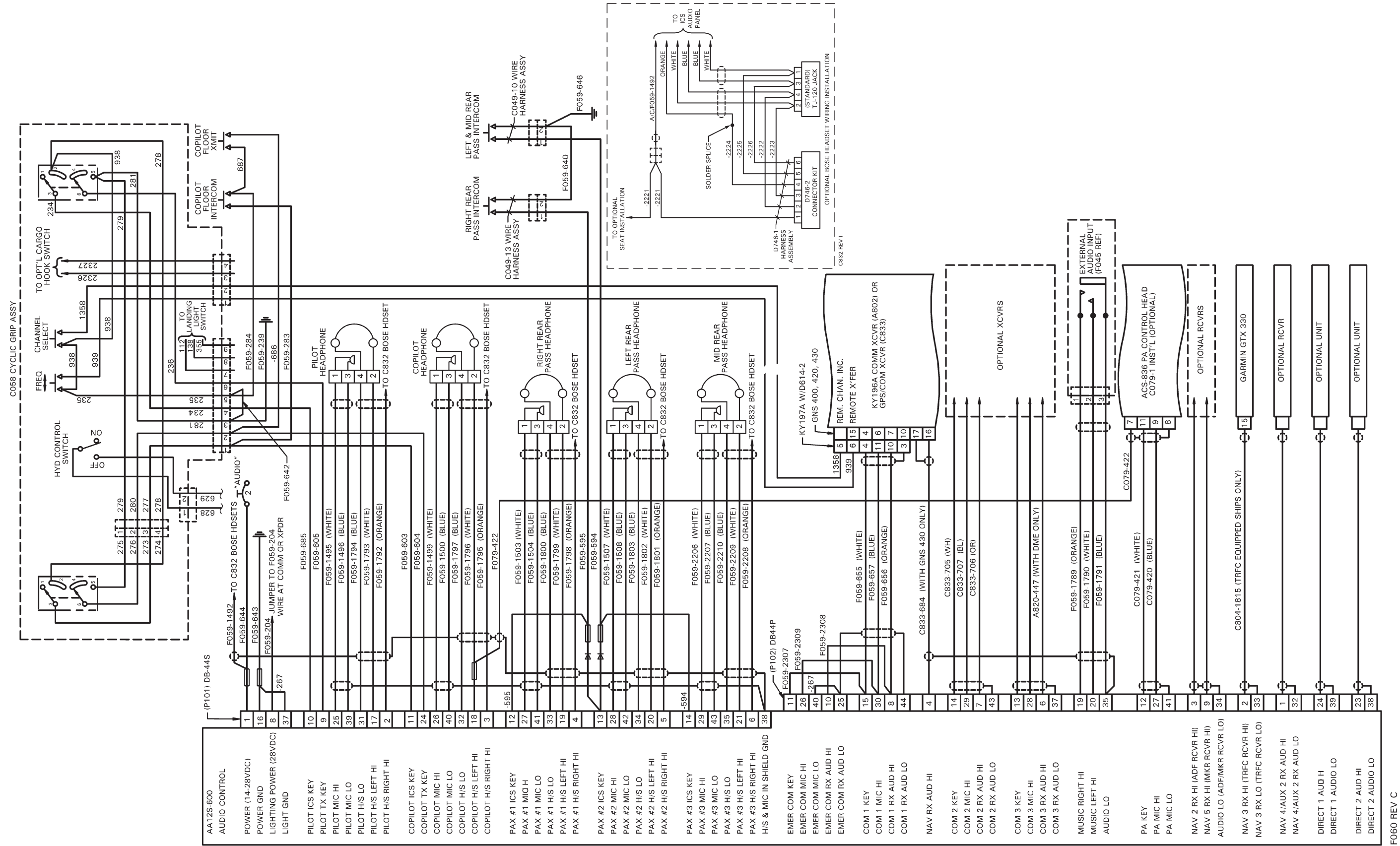
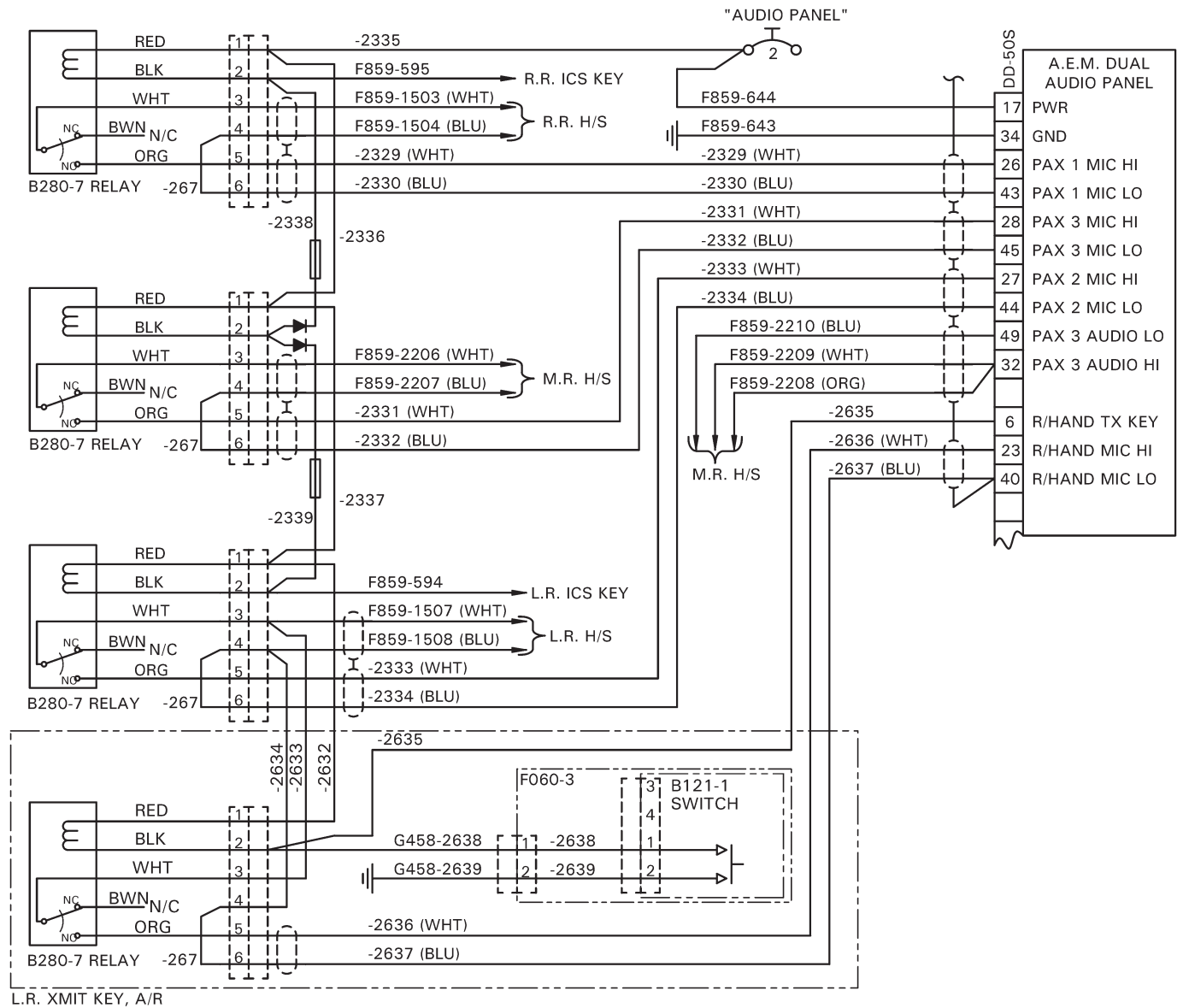


FIGURE 98-5 STANDARD AUDIO INSTALLATION (NAT AA12S-600 AUDIO CONTROL)

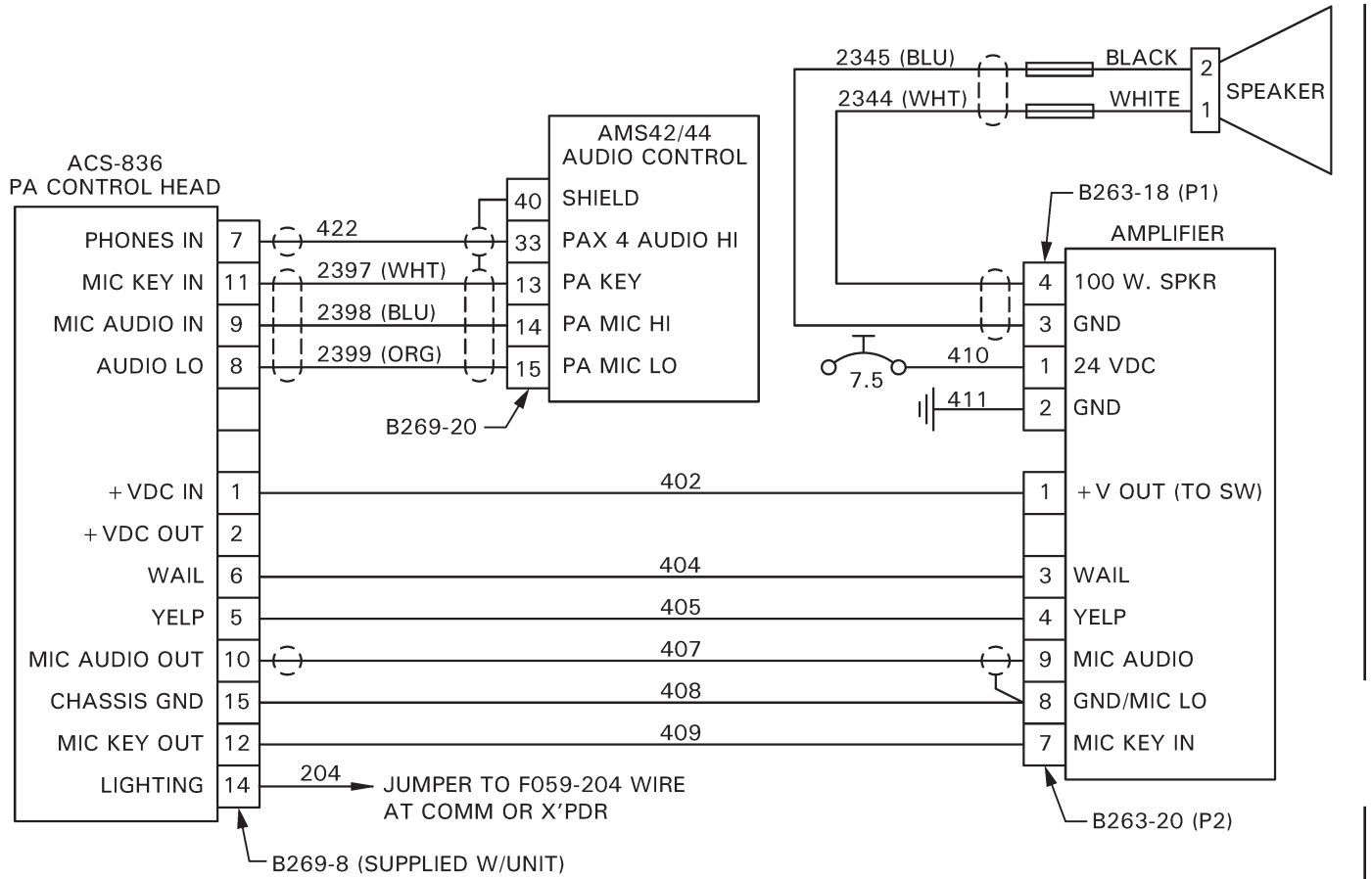
Intentionally Blank



C823 REV Z

FIGURE 98-6 DUAL AUDIO CONTROL INSTALLATION

Intentionally Blank



F079 REV B

**FIGURE 98-7 PA/SIREN INSTALLATION**

Intentionally Blank



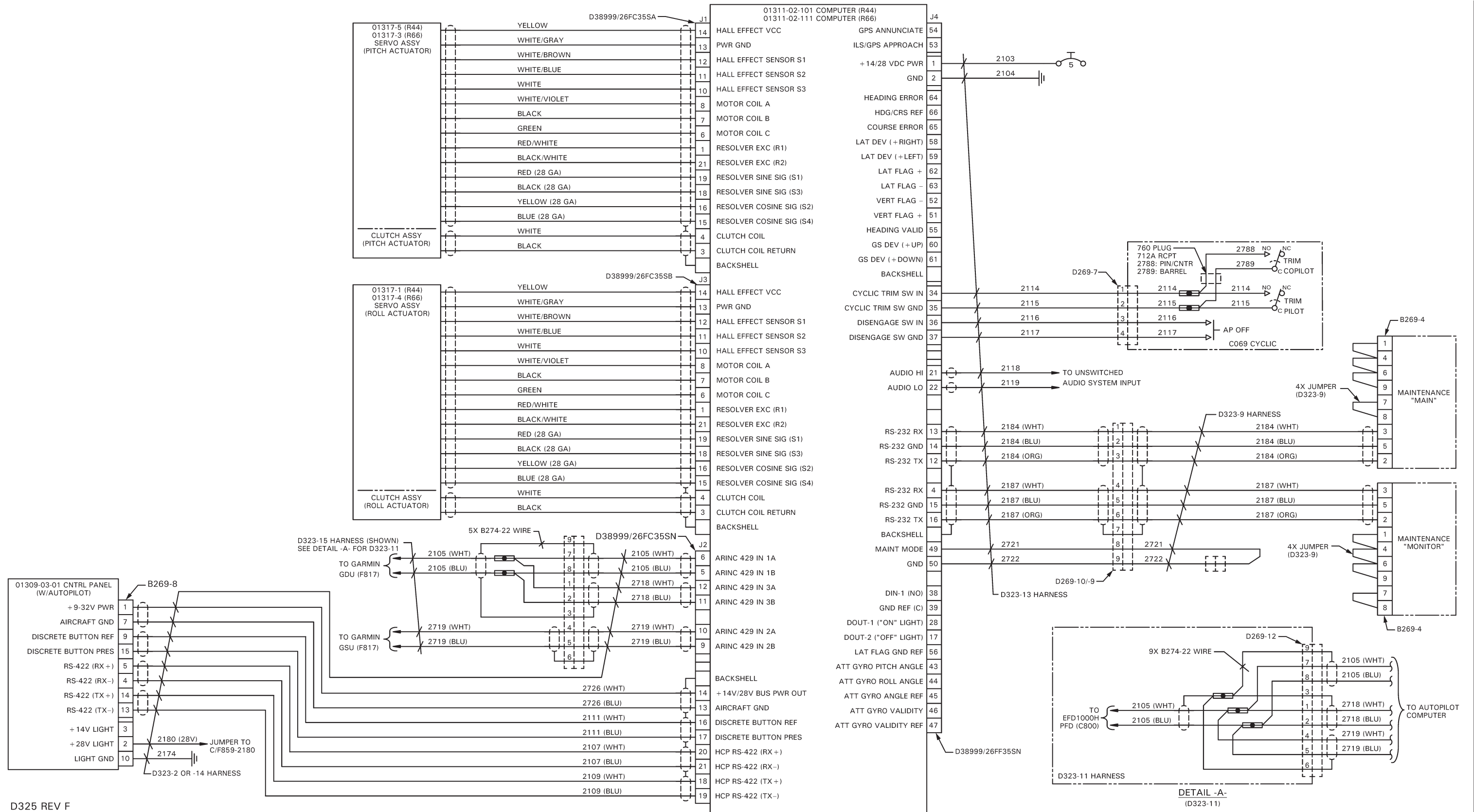


FIGURE 98-8A D325-1 AUTOPILOT (HELISAS, WITHOUT BC MODE) SCHEMATIC

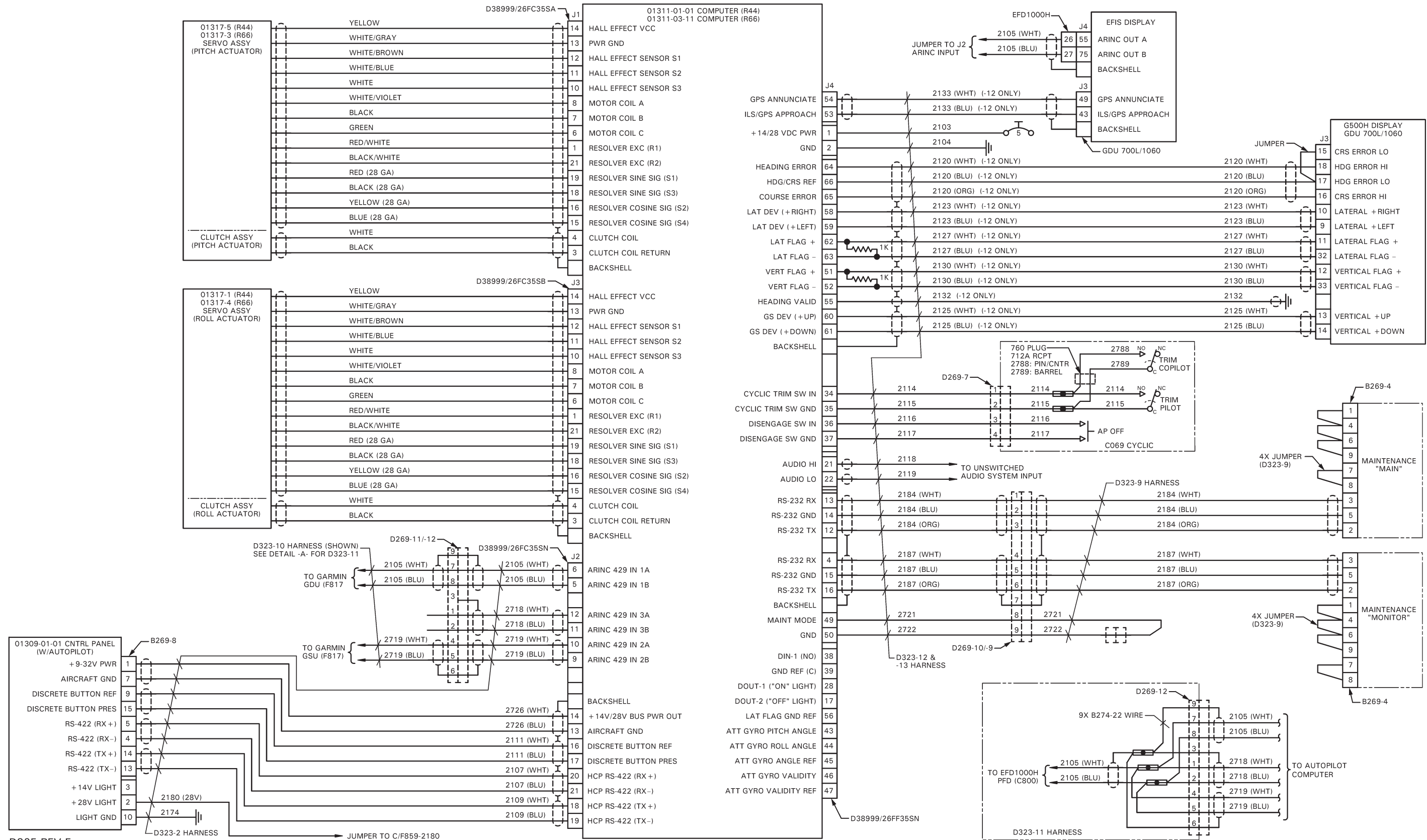
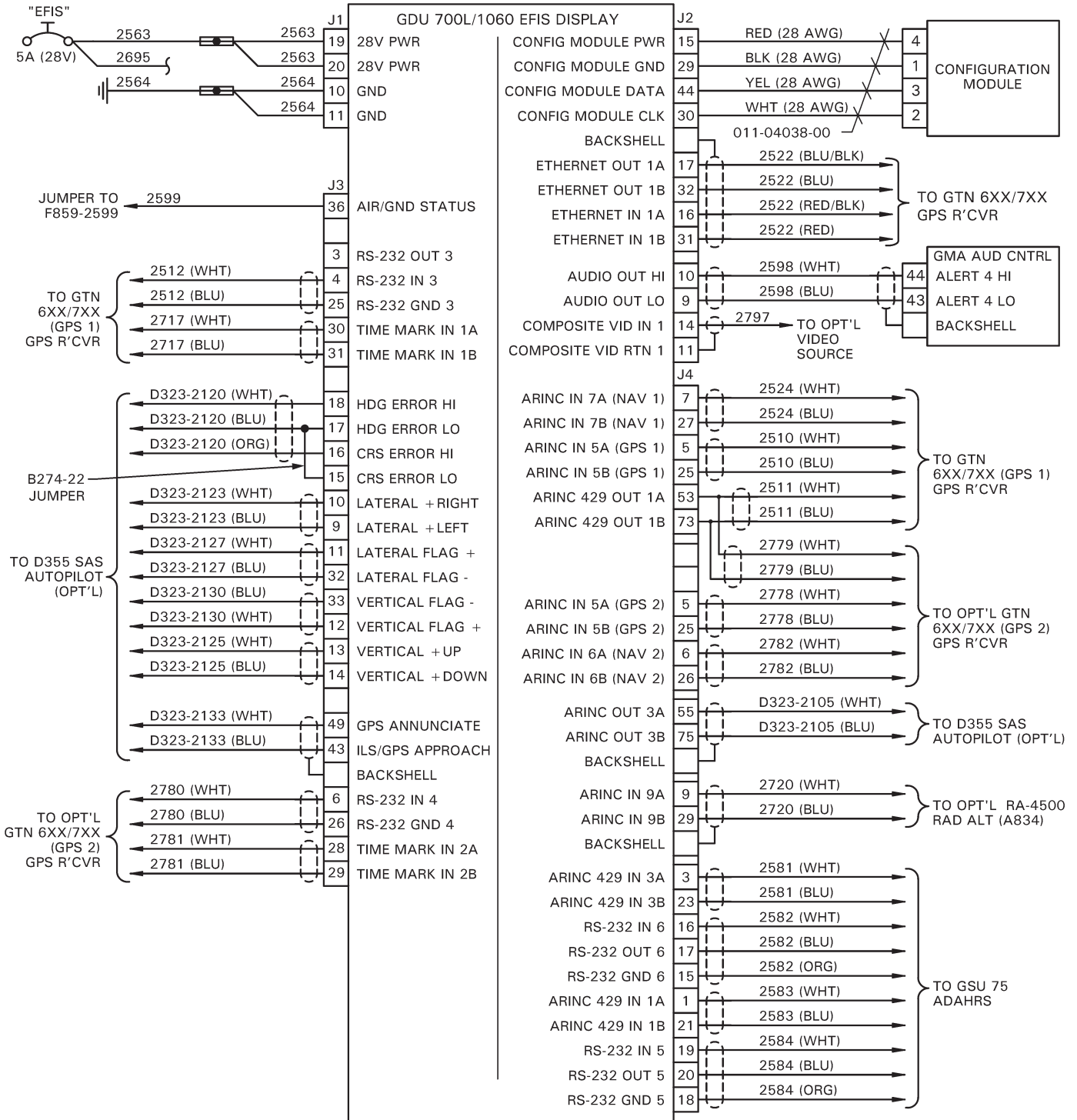
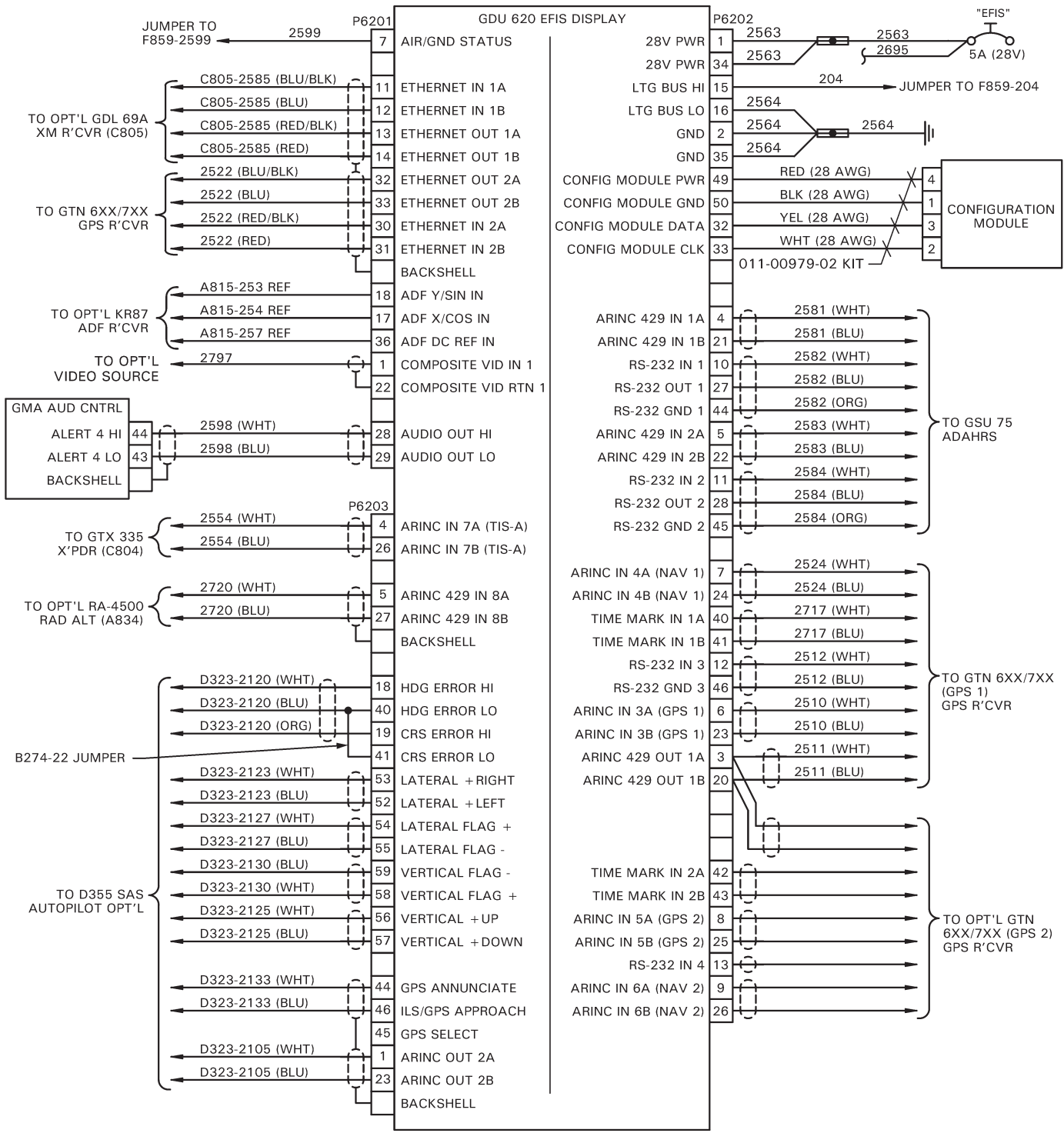


FIGURE 98-8B D325-1 AUTOPILOT (HELISAS, WITH BC MODE) SCHEMATIC



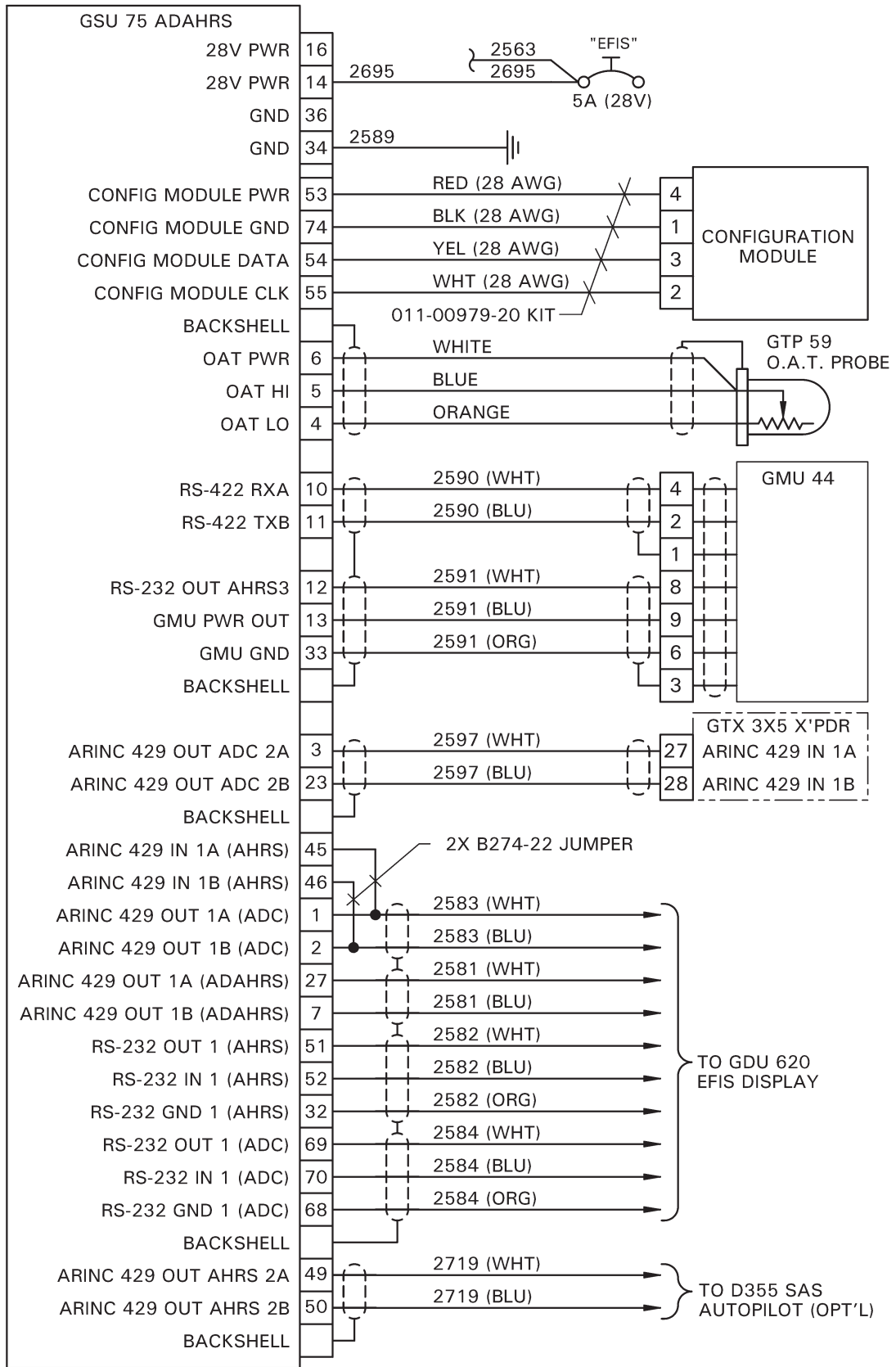
F817 REV J

FIGURE 98-9 GARMIN GDU 1060 INSTALLATION



F817 REV I

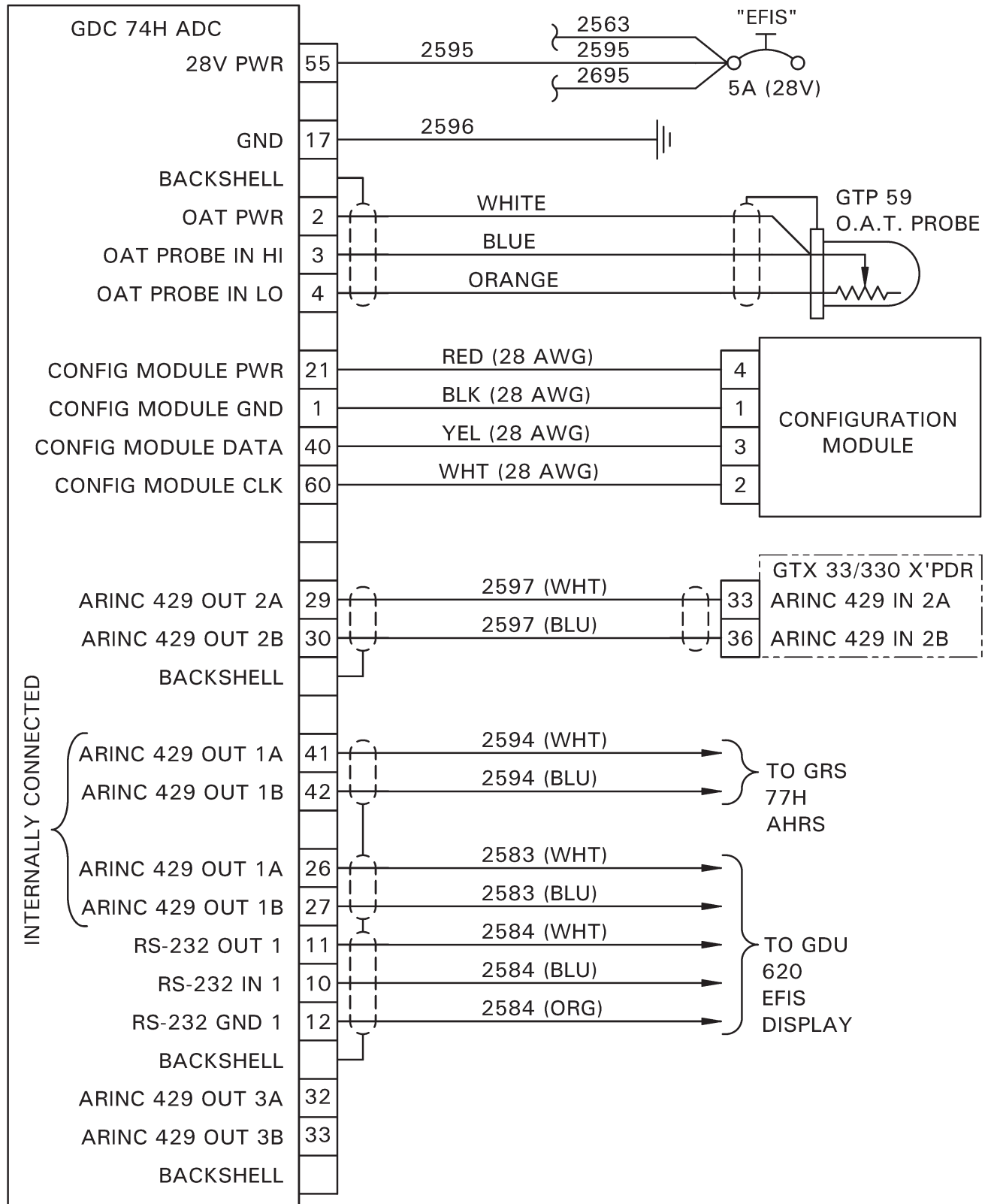
FIGURE 98-9A GARMIN GDU 620 INSTALLATION



F817 REV I

**FIGURE 98-10 GARMIN GSU 75 ADAHRS INSTALLATION**

Intentionally Blank

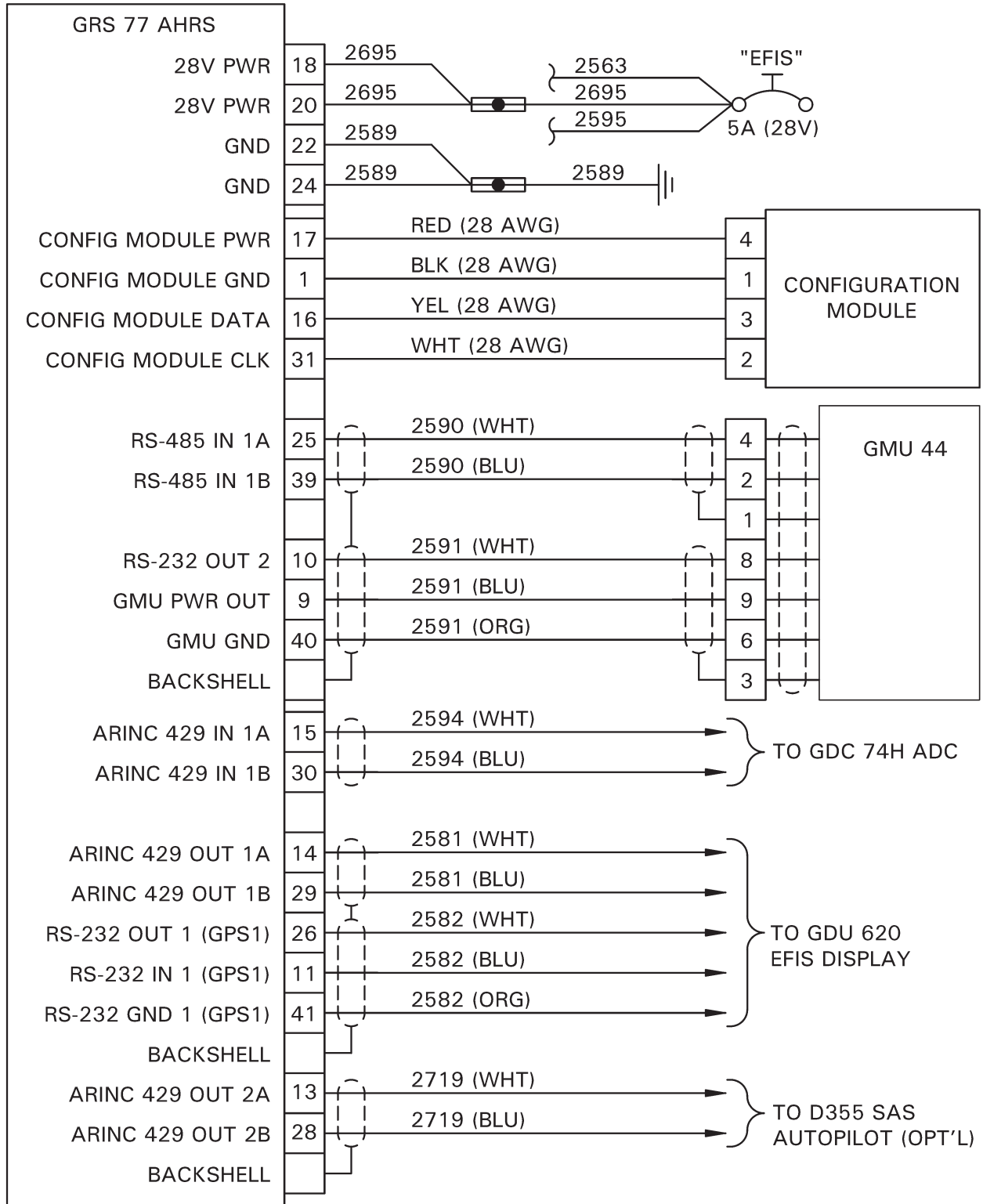


F817 REV E

FIGURE 98-11 GARMIN GDC 74H AIR DATA COMPUTER INSTALLATION

Intentionally Blank

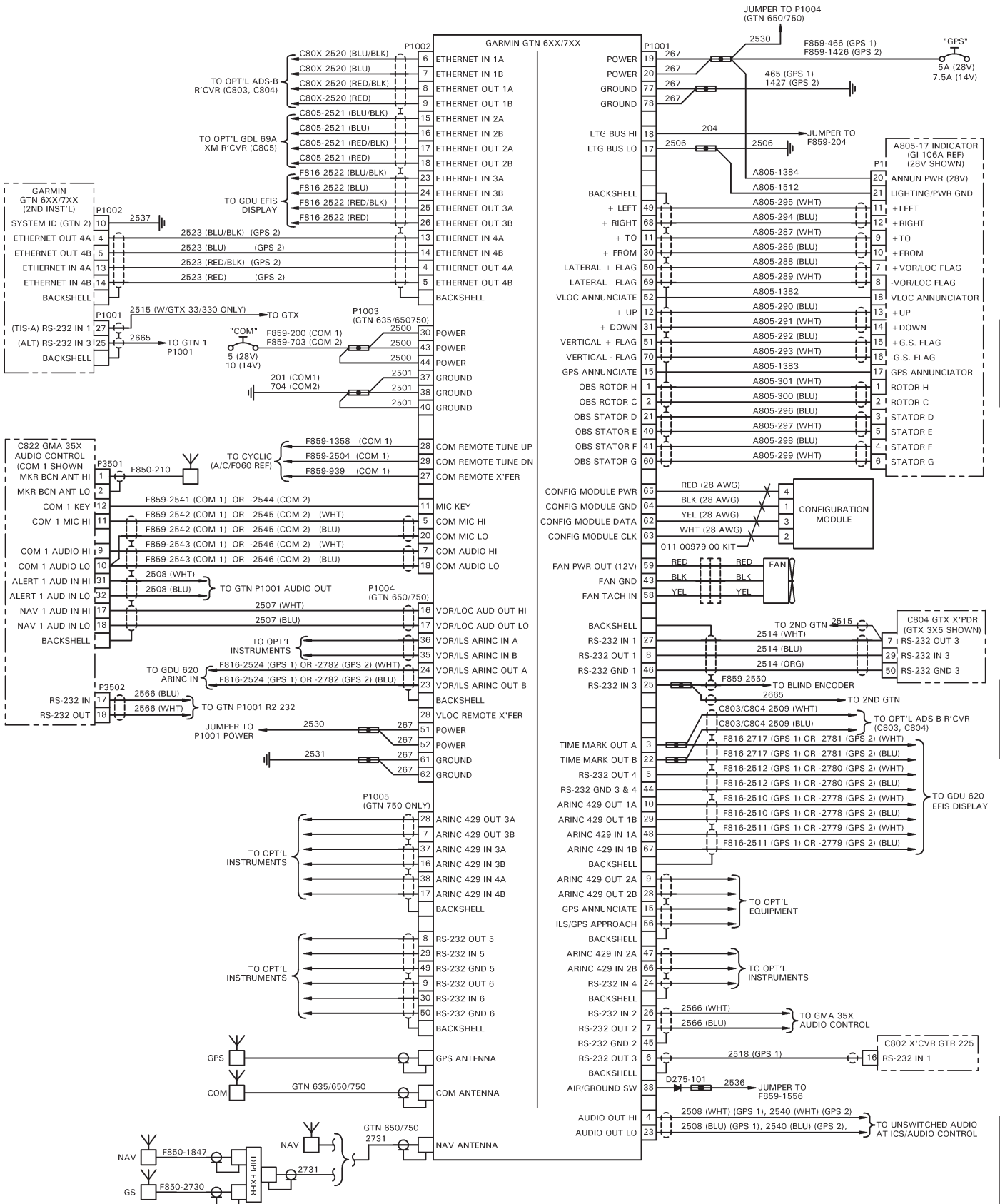




F817 REV E

FIGURE 98-12 GARMIN GRS 77H AHRS INSTALLATION

Intentionally Blank



F818 REV D

FIGURE 98-13 GARMIN GTN 6XX/7XX-SERIES GPS INSTALLATION (G500H EFIS)

Intentionally Blank

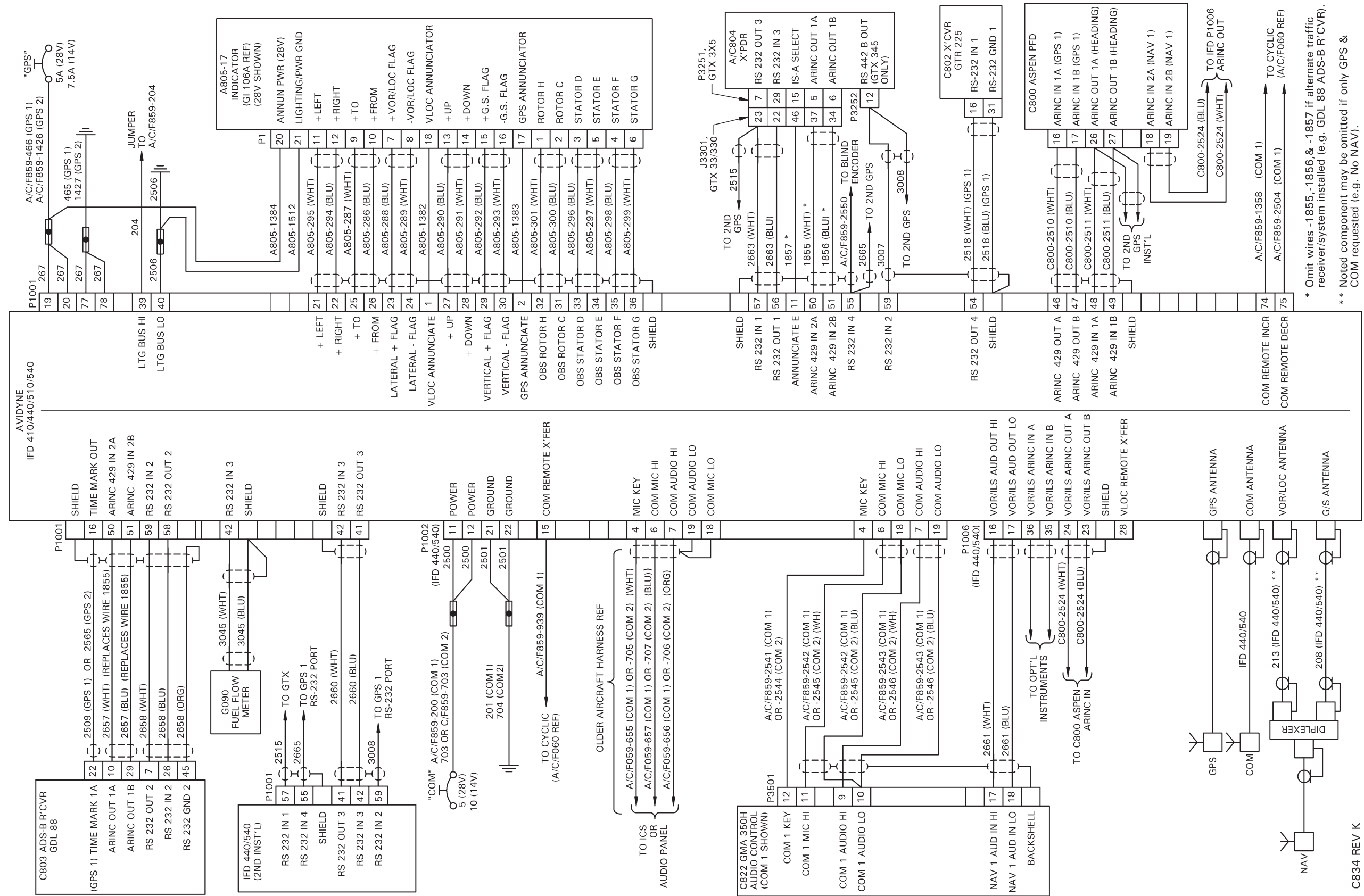


FIGURE 98-13A AVYDYNE IFD 4XX/5XX-SERIES INSTALLATION

\* Omit wires -1855,-1856, & -1857 if alternate traffic receiver/system installed (e.g. GDL 88 ADS-B R'CVR).  
 \*\* Noted component may be omitted if only GPS & COM requested (e.g. No NAV).

C834 REV K

Intentionally Blank

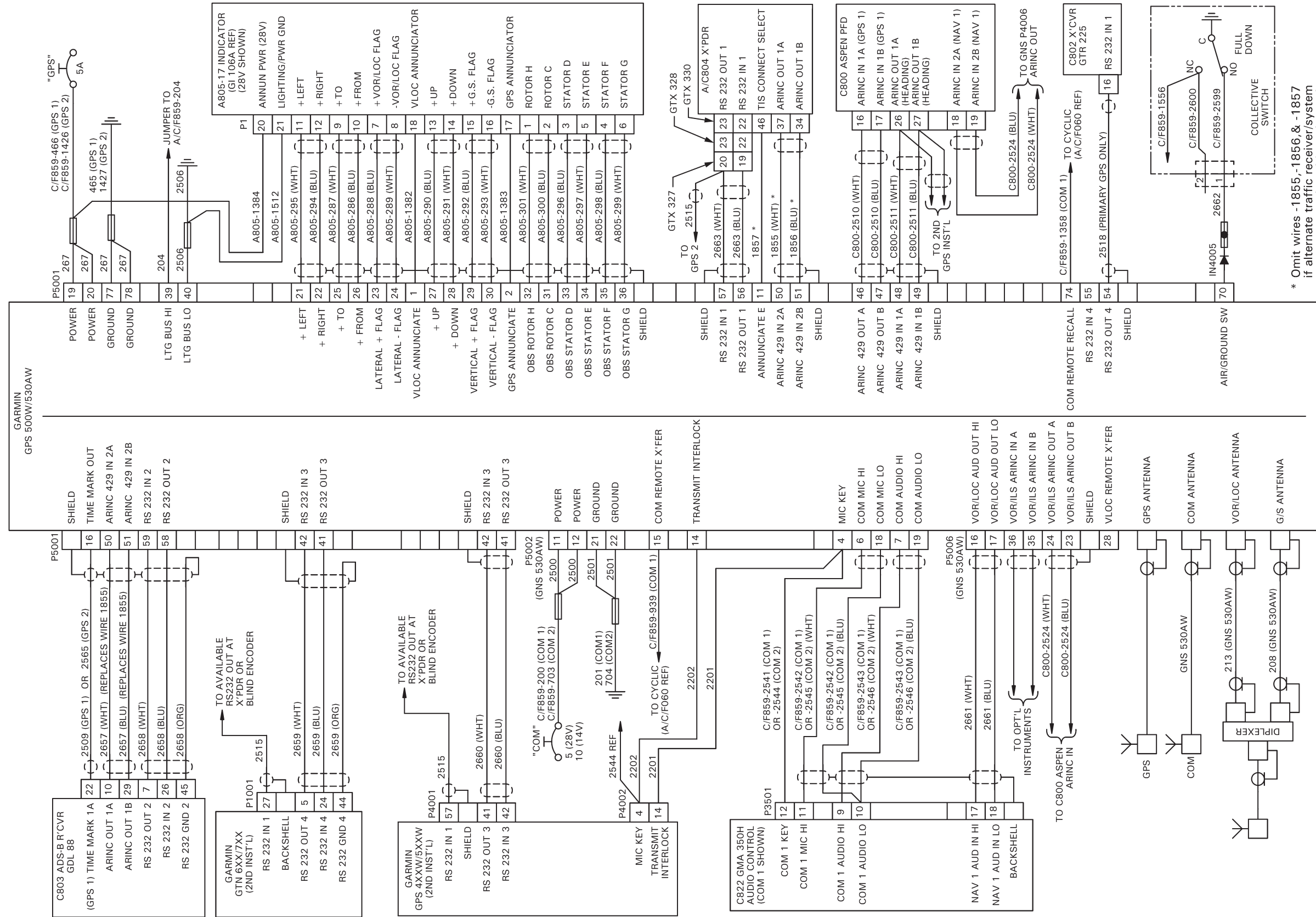


FIGURE 98-13B GARMIN 500 SERIES GPS INSTALLATION

C834 REV I

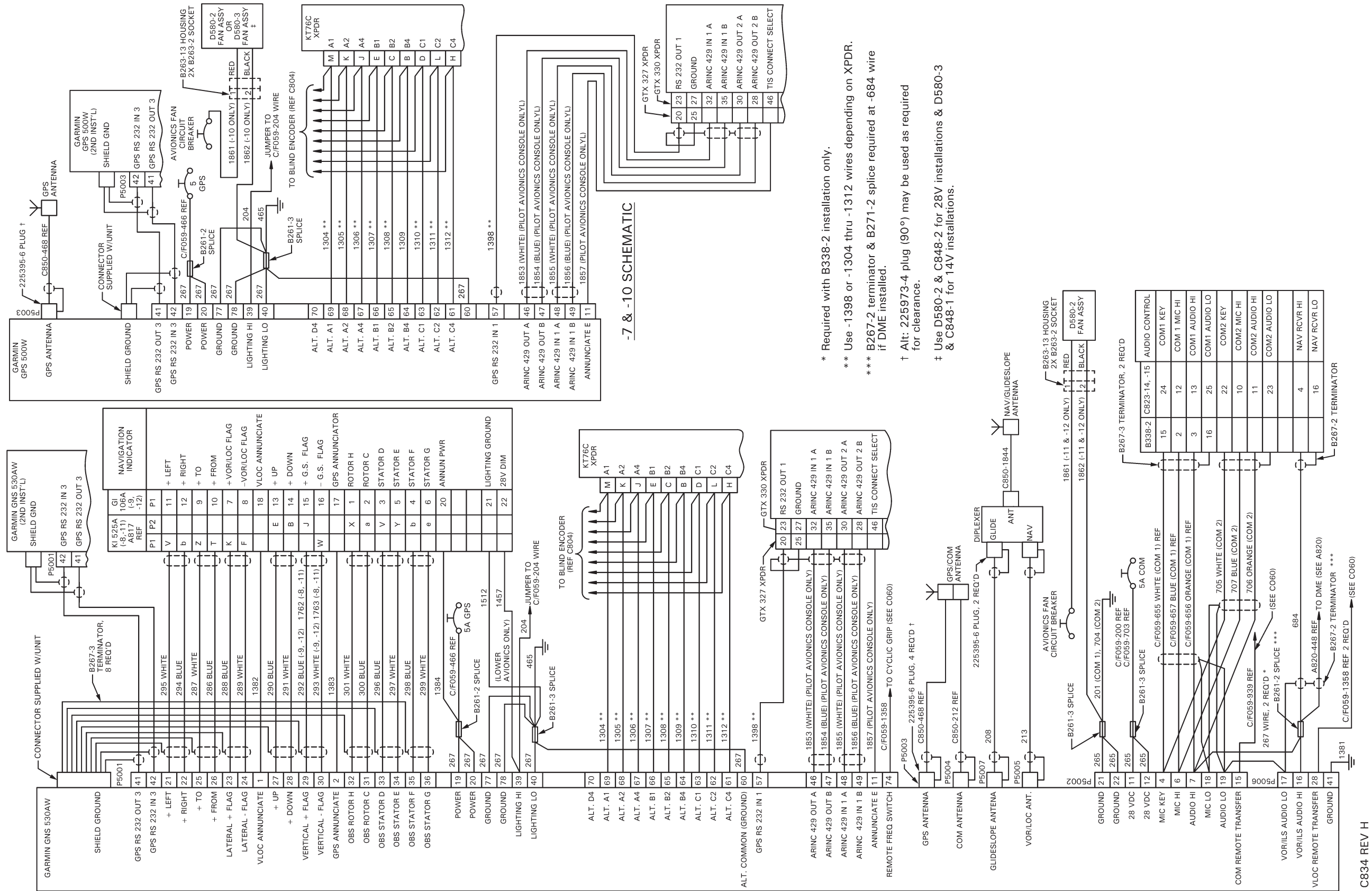
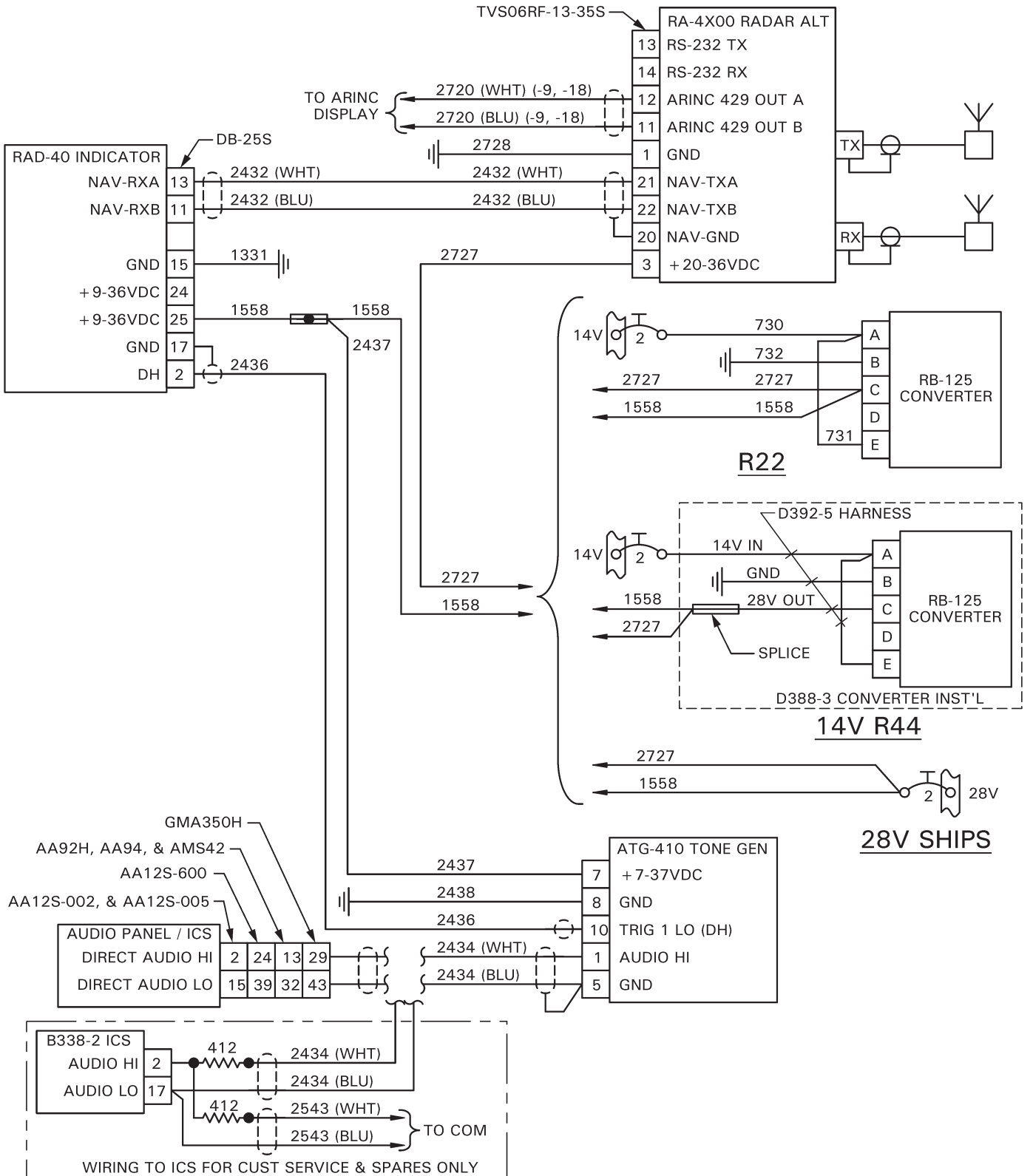


FIGURE 98-13C GARMIN 500 SERIES GPS INSTALLATION





A834 REV K

FIGURE 98-14 RADAR ALTIMETER INSTALLATION

Intentionally Blank

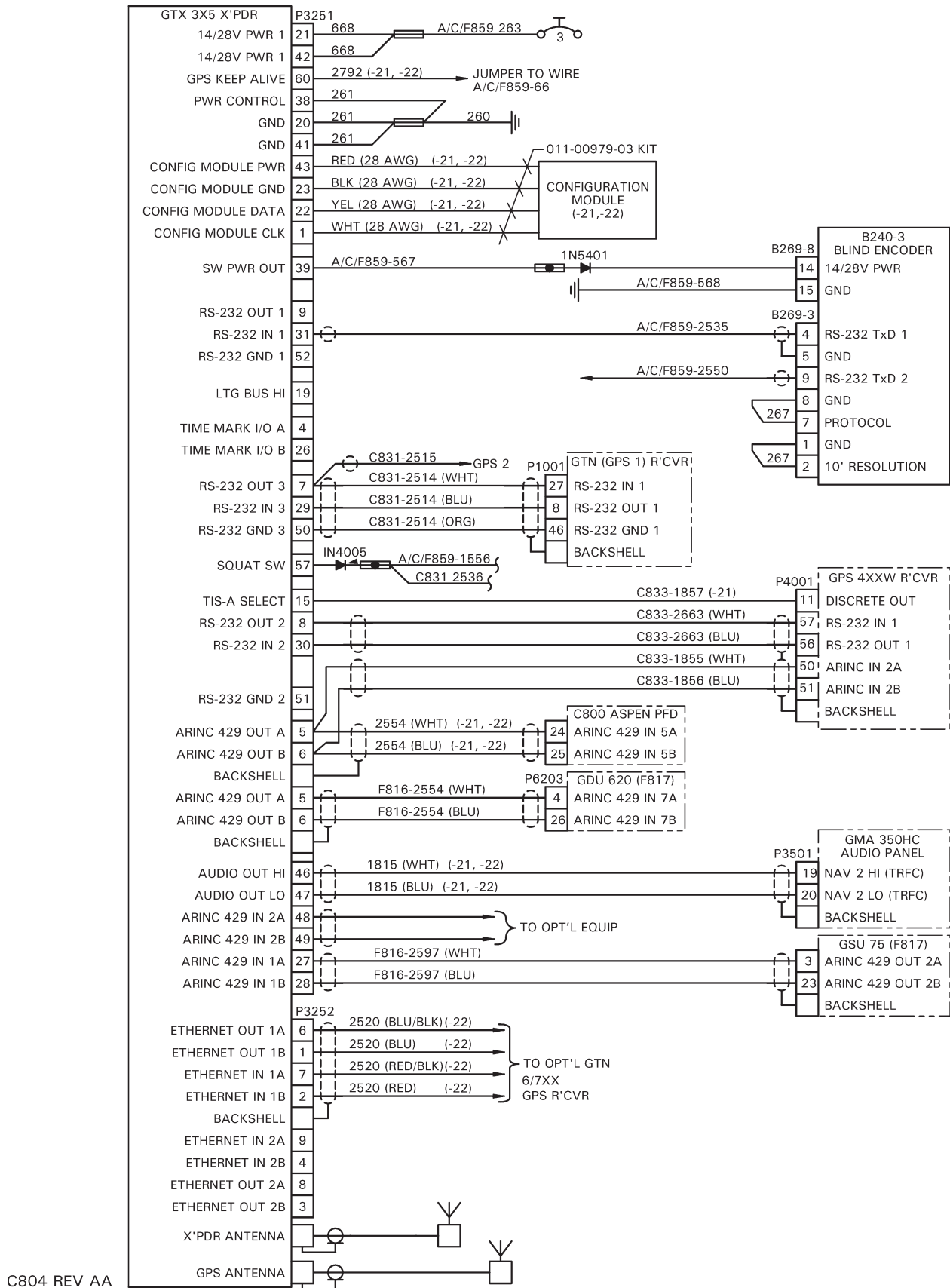
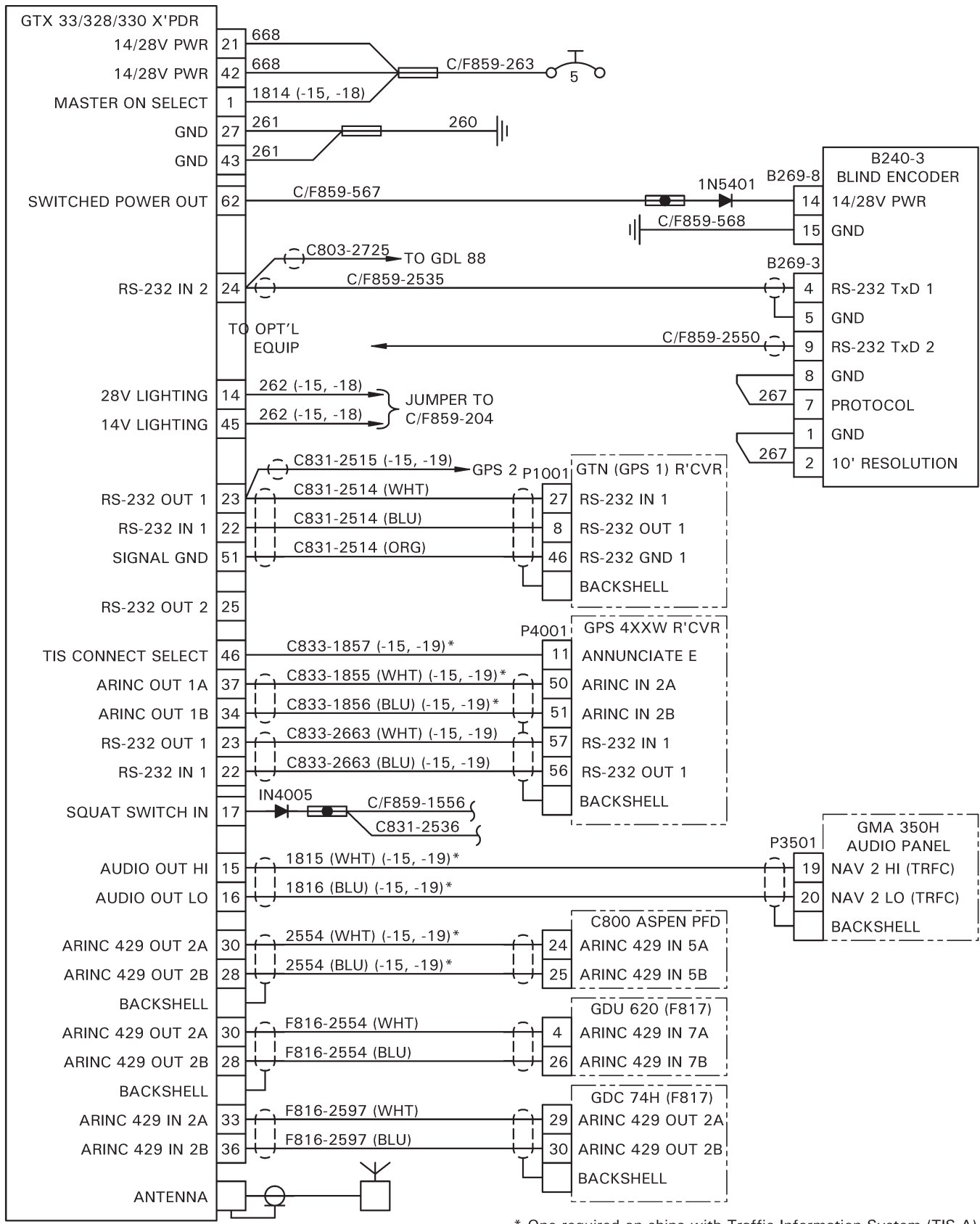


FIGURE 98-15 GARMIN GTX 3X5 TRANSPONDER INSTALLATION

Intentionally Blank

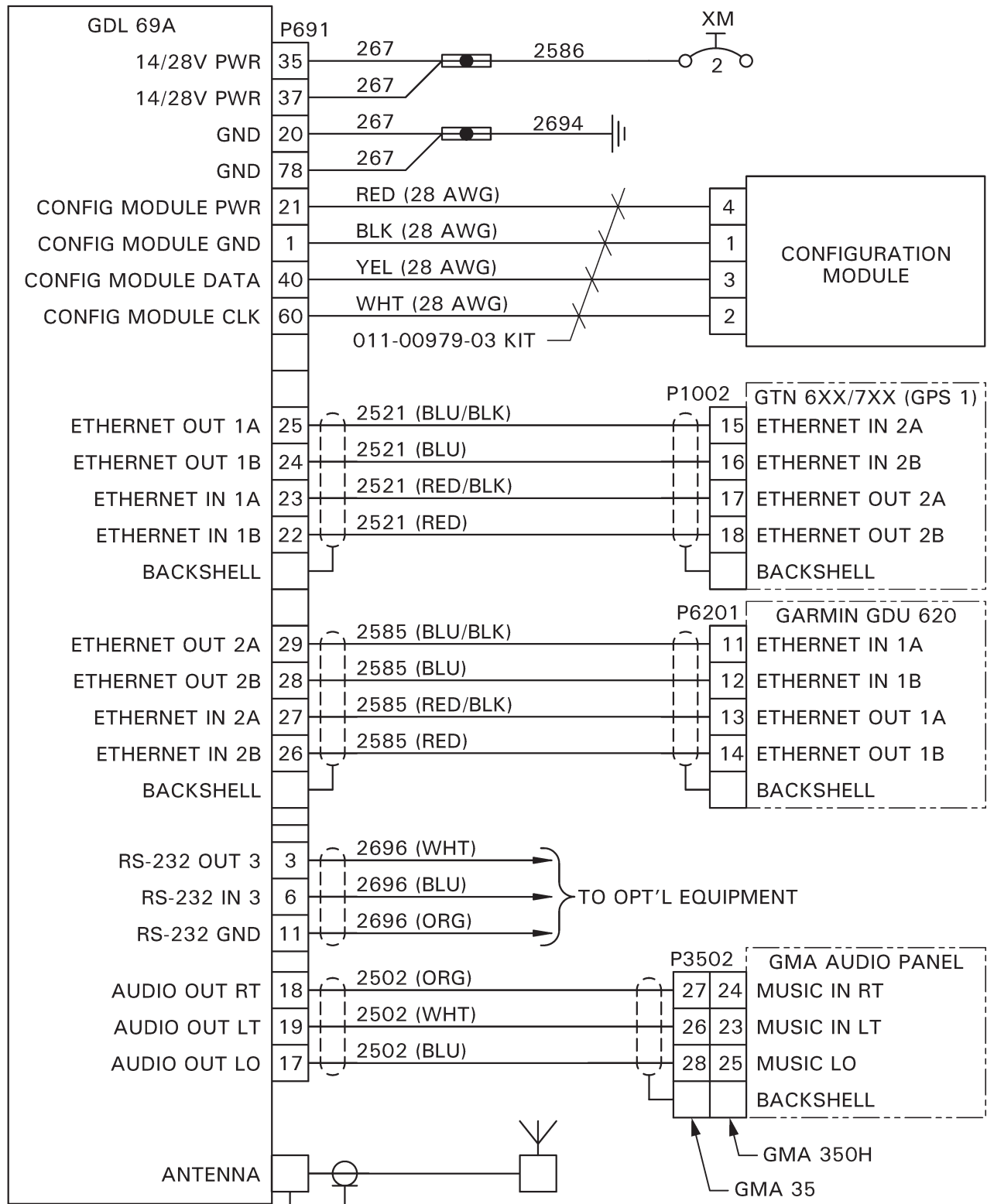


C804 REV Z

\* One required on ships with Traffic Information System (TIS-A)

FIGURE 98-16 GARMIN GTX 33/328/330 ES TRANSPONDER INSTALLATION

Intentionally Blank

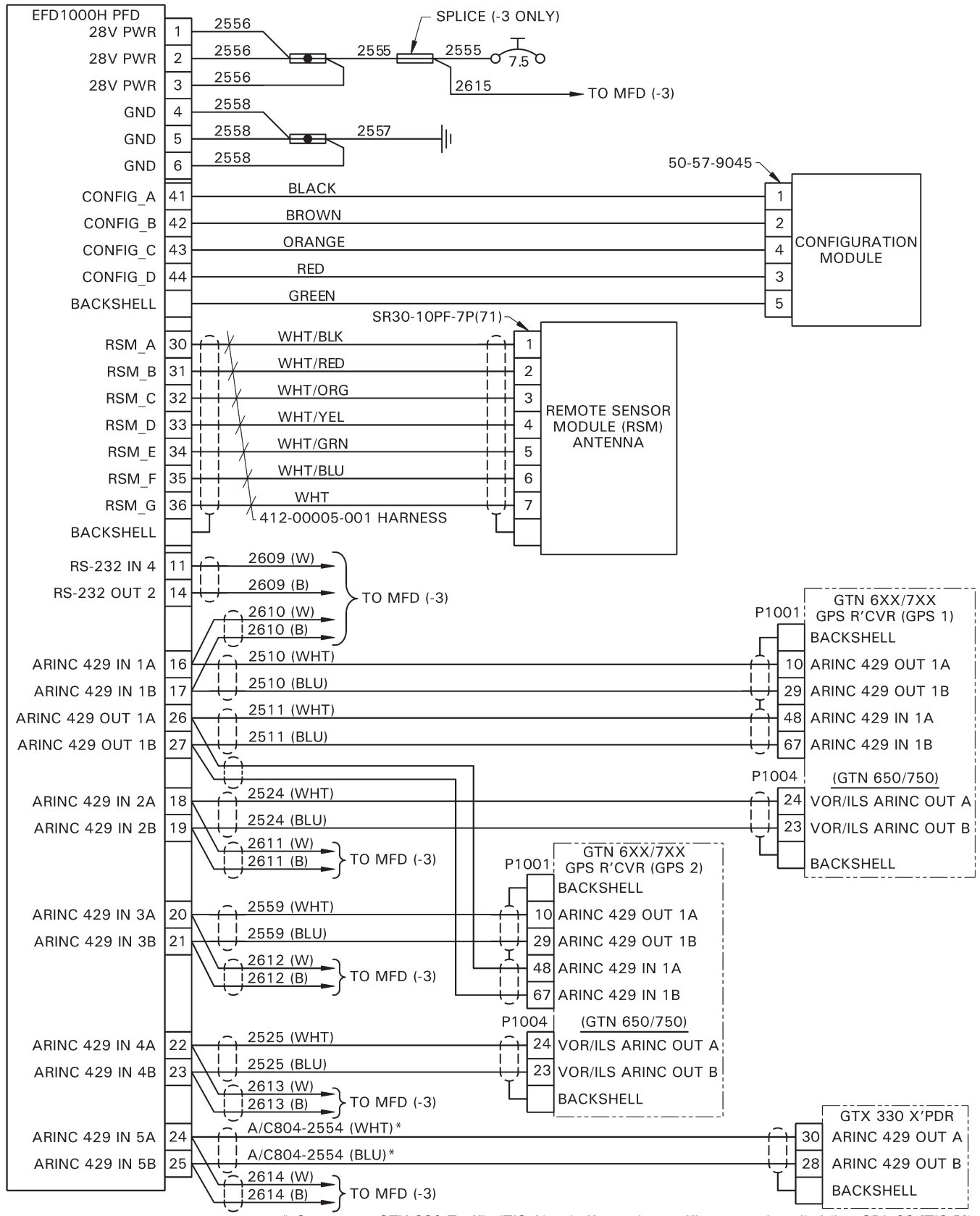


C805 REV B

FIGURE 98-17 GARMIN GDL 69A XM RECEIVER INSTALLATION

Intentionally Blank



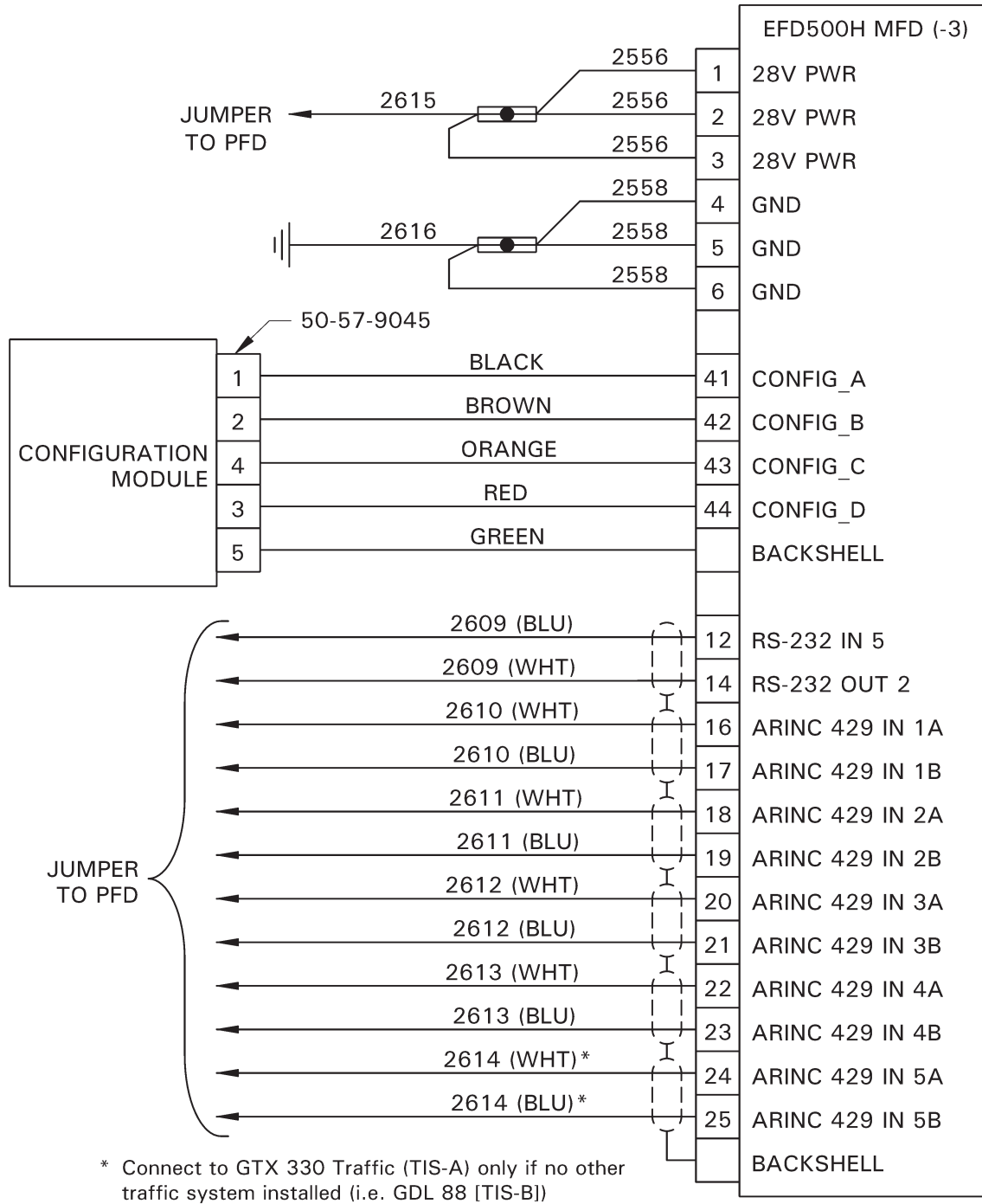


C800 REV D

\* Connect to GTX 330 Traffic (TIS-A) only if no other traffic system installed (i.e. GDL 88 [TIS-B])

**FIGURE 98-18 ASPEN EFD1000H DISPLAY INSTALLATION**

Intentionally Blank

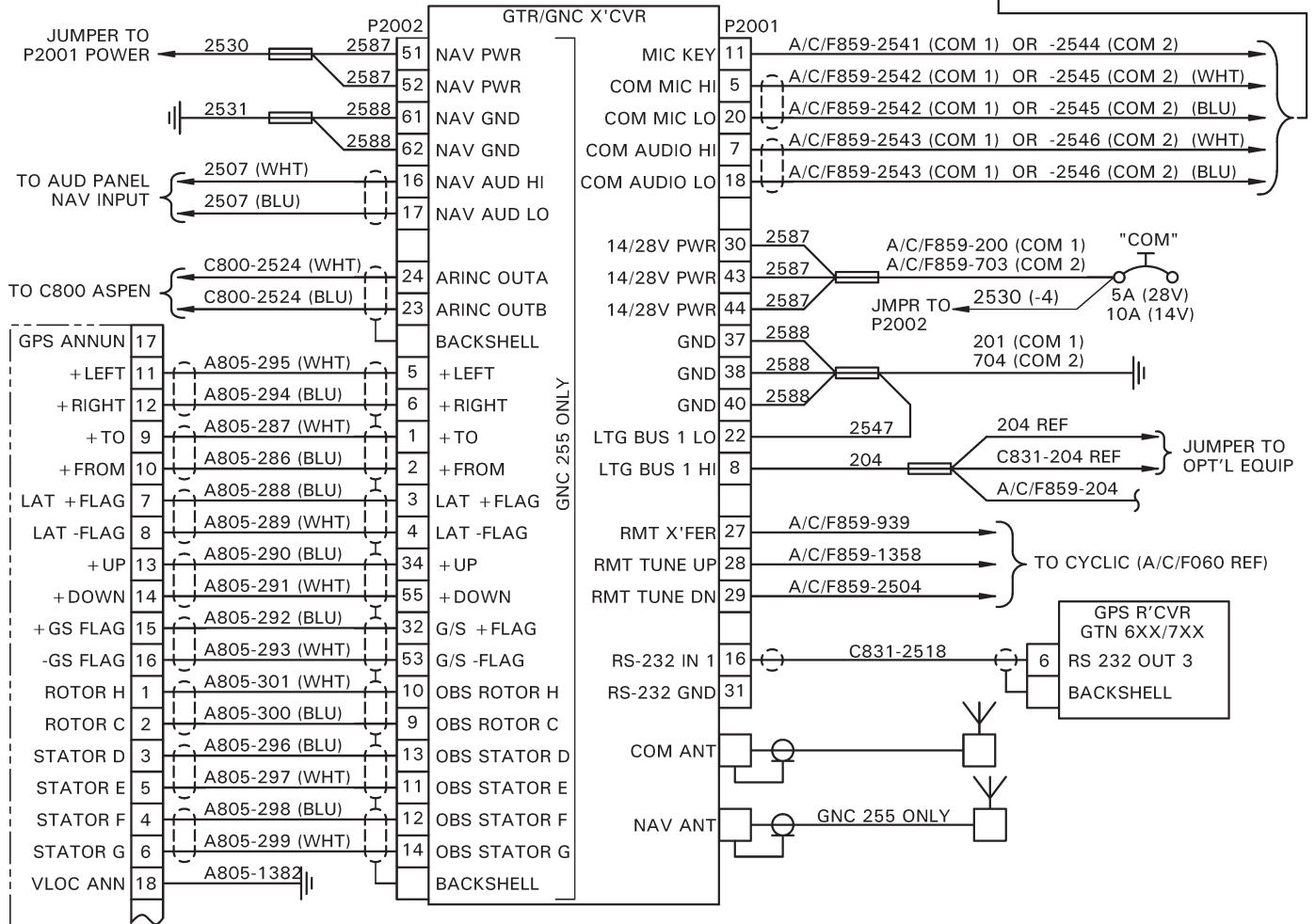


C800 REV D

FIGURE 98-19 ASPEN EFD500H DISPLAY INSTALLATION

Intentionally Blank

FOR WIRE INST'L SEE:  
 A/C060 (W/B338)  
 C822 OR F060 (W/GMA)  
 C823 (W/AA12S, AMS42)

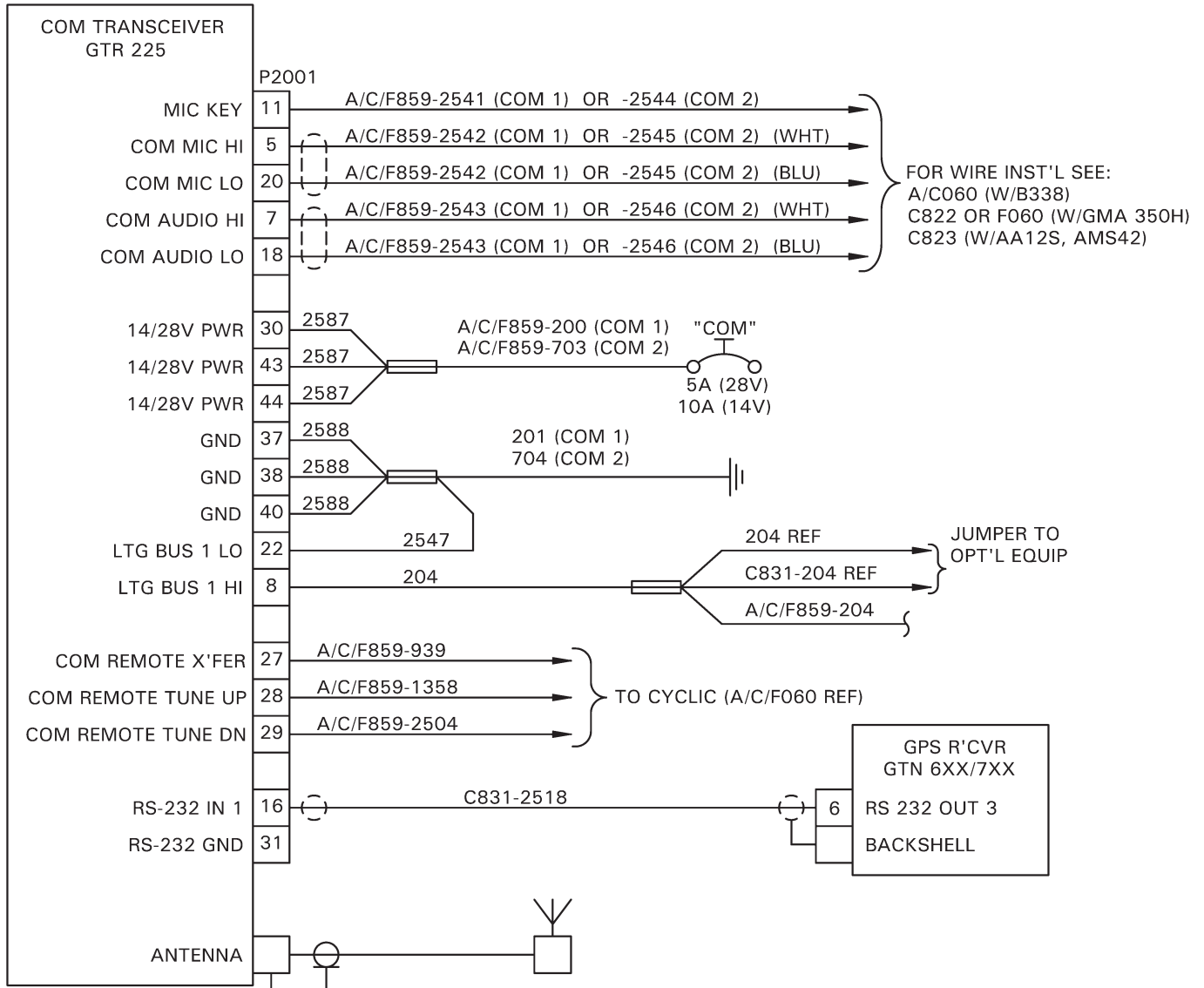


A805 GI 106B

C802-2, & -4 REV E

FIGURE 98-20 GARMIN GTR 225B COM / GNC 255B NAV/COM RADIO INSTALLATION

Intentionally Blank

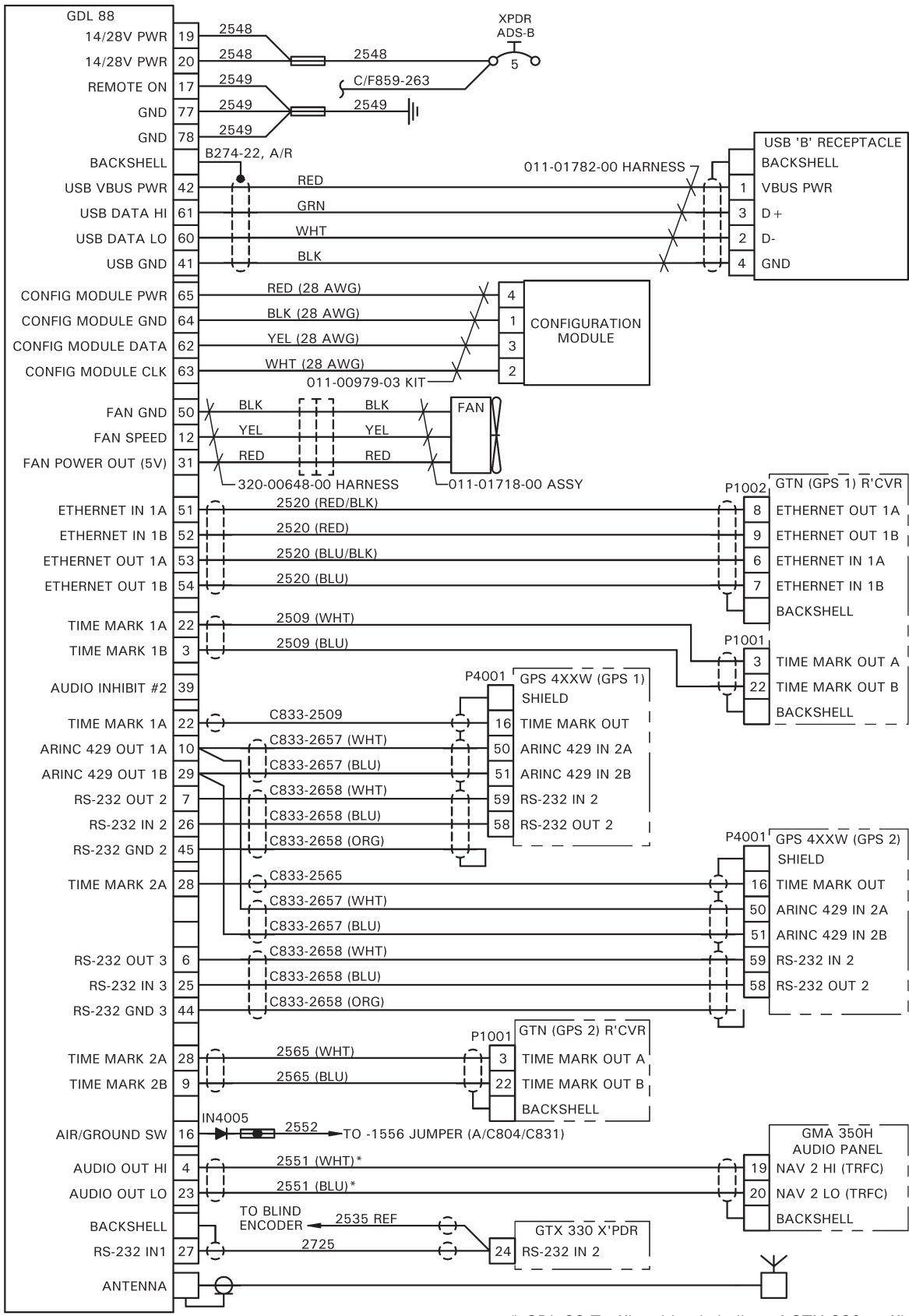


C802-2 REV D

FIGURE 98-21 GARMIN GTR 225B COM RADIO INSTALLATION

Intentionally Blank





C803 REV C

\* GDL 88 Traffic wiring is in lieu of GTX 330 traffic wiring.

**FIGURE 98-22 GARMIN GDL 88 ADS-B IN RECEIVER INSTALLATION**

Intentionally Blank

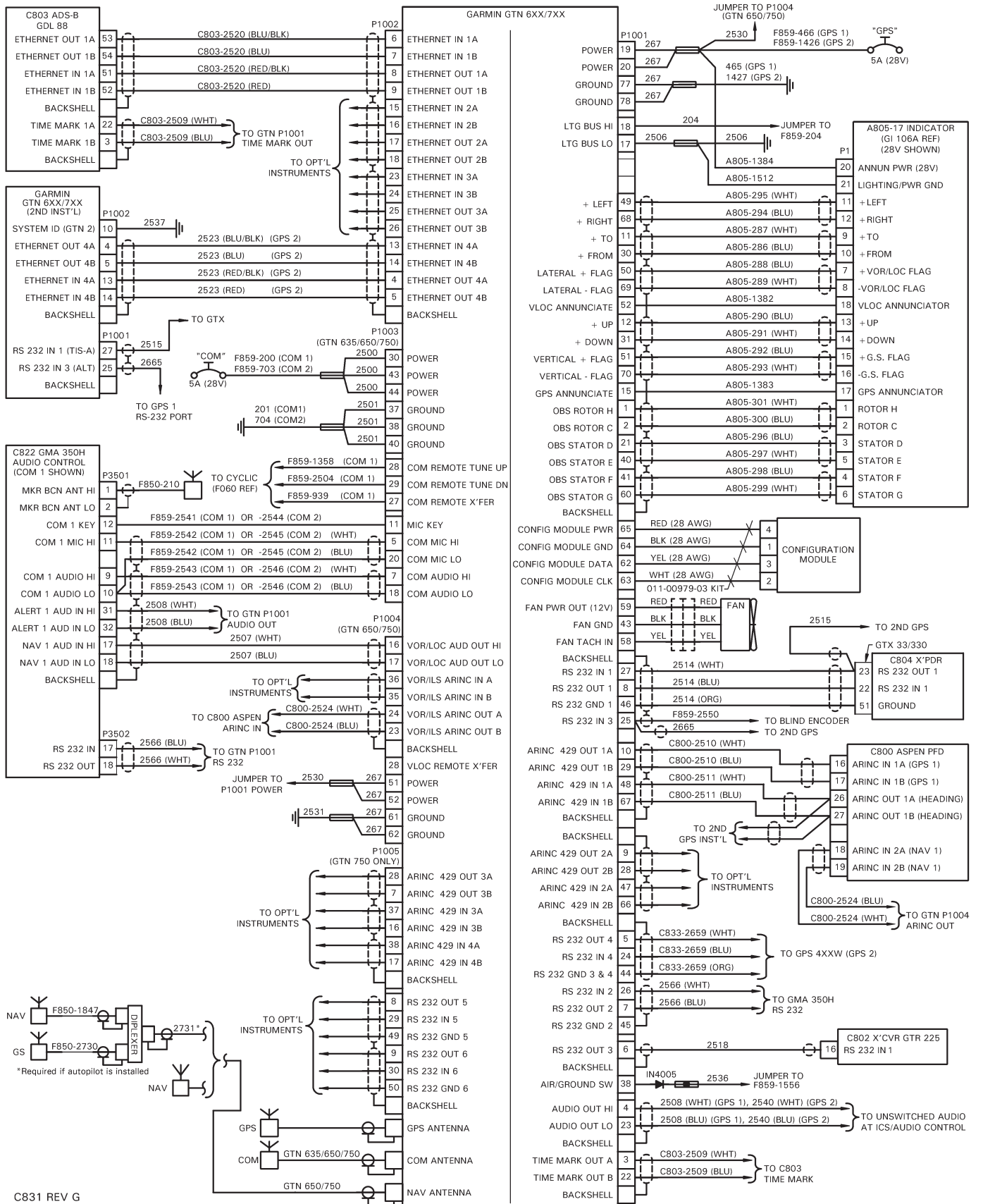


FIGURE 98-23 GARMIN GTN 6XX/7XX-SERIES GPS INSTALLATION (PILOT-SIDE CONSOLE)

Intentionally Blank

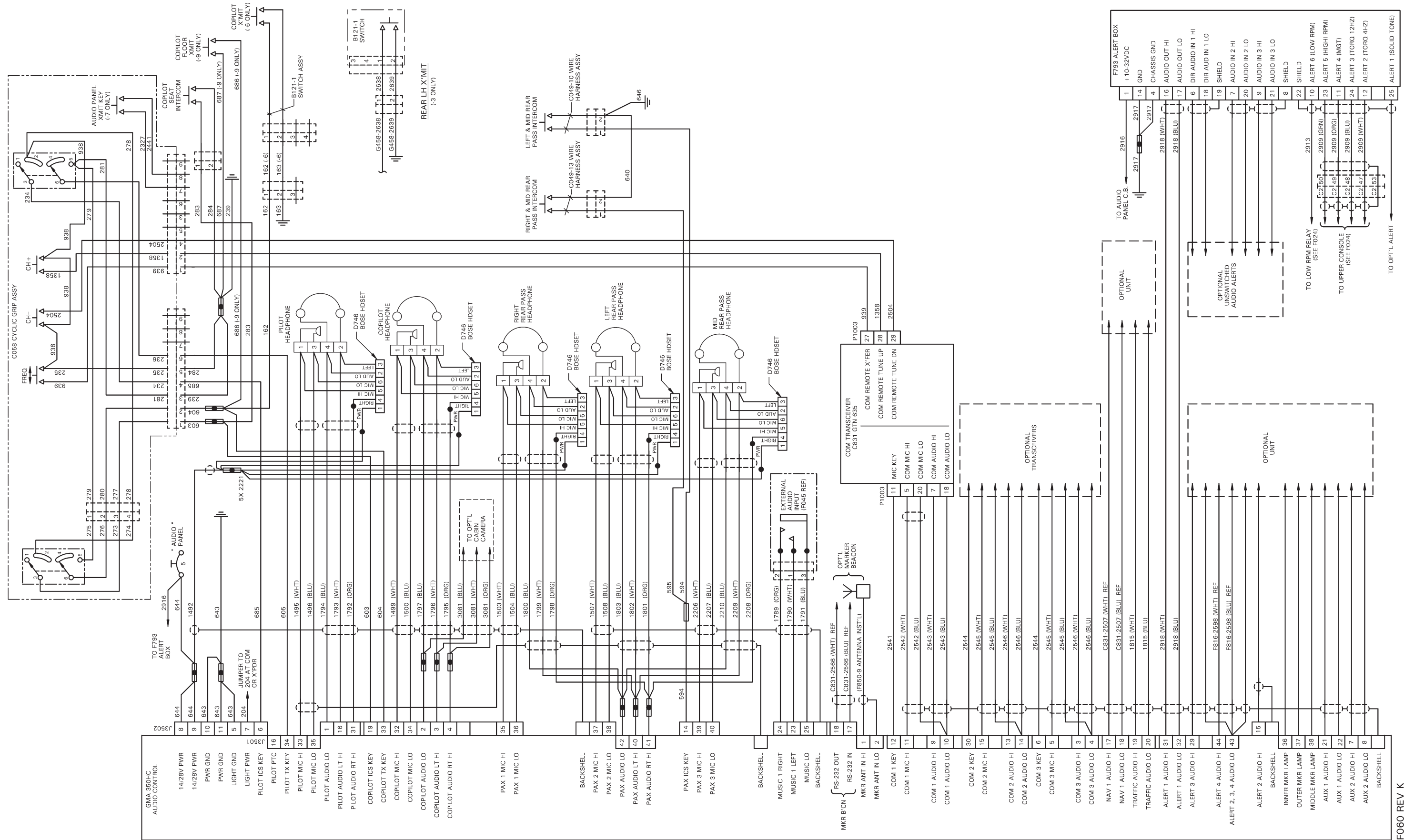


FIGURE 98-24 F060 INTERCOM SYSTEM INSTALLATION (GARMIN GMA 350HC AUDIO CONTROL)

Intentionally Blank

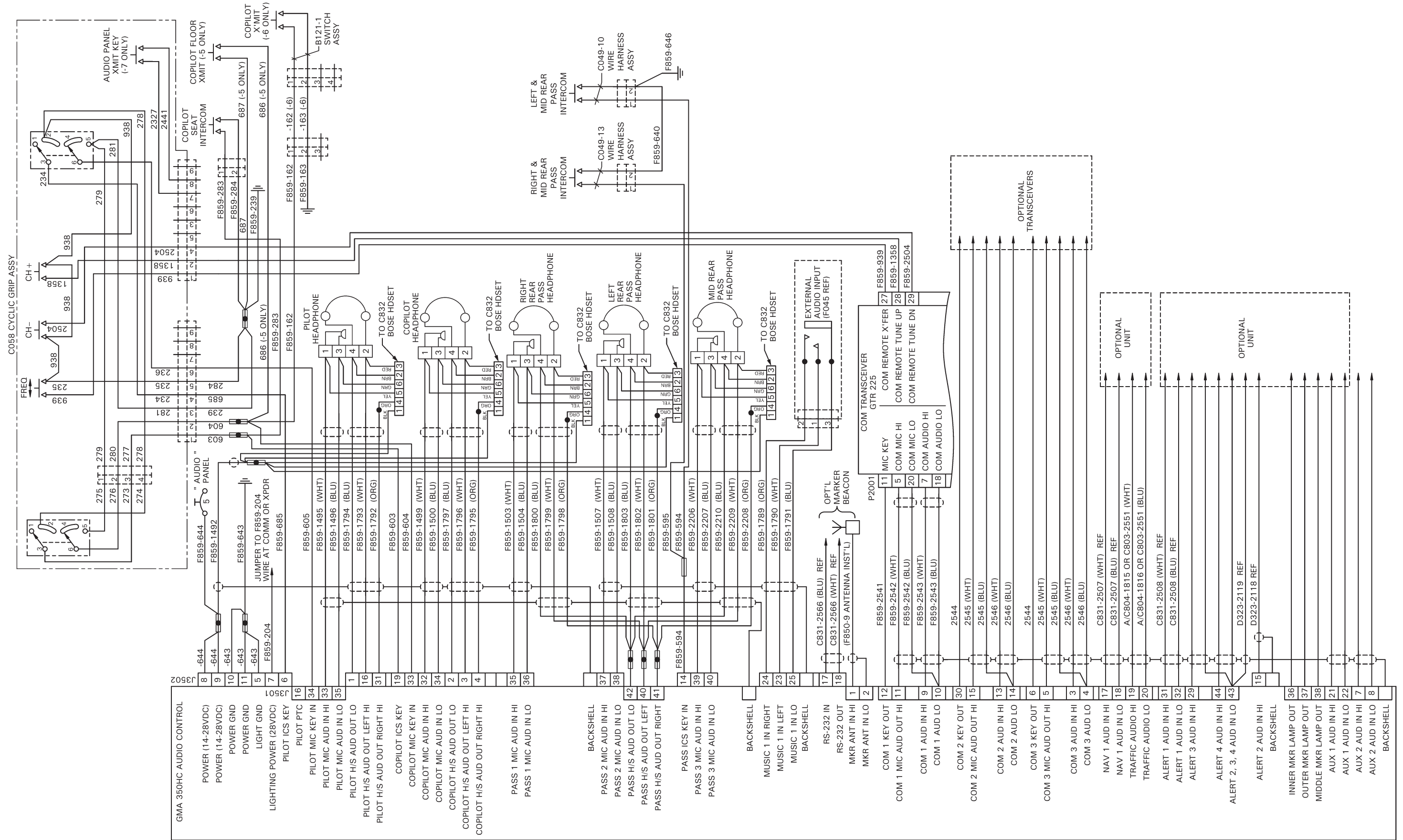


FIGURE 98-25A F060-4, -5, -6, & -7 INTERCOM SYSTEM INSTALLATION (GARMIN GMA 350HC AUDIO CONTROL)

F060-4.5.6 & -7 REV 1

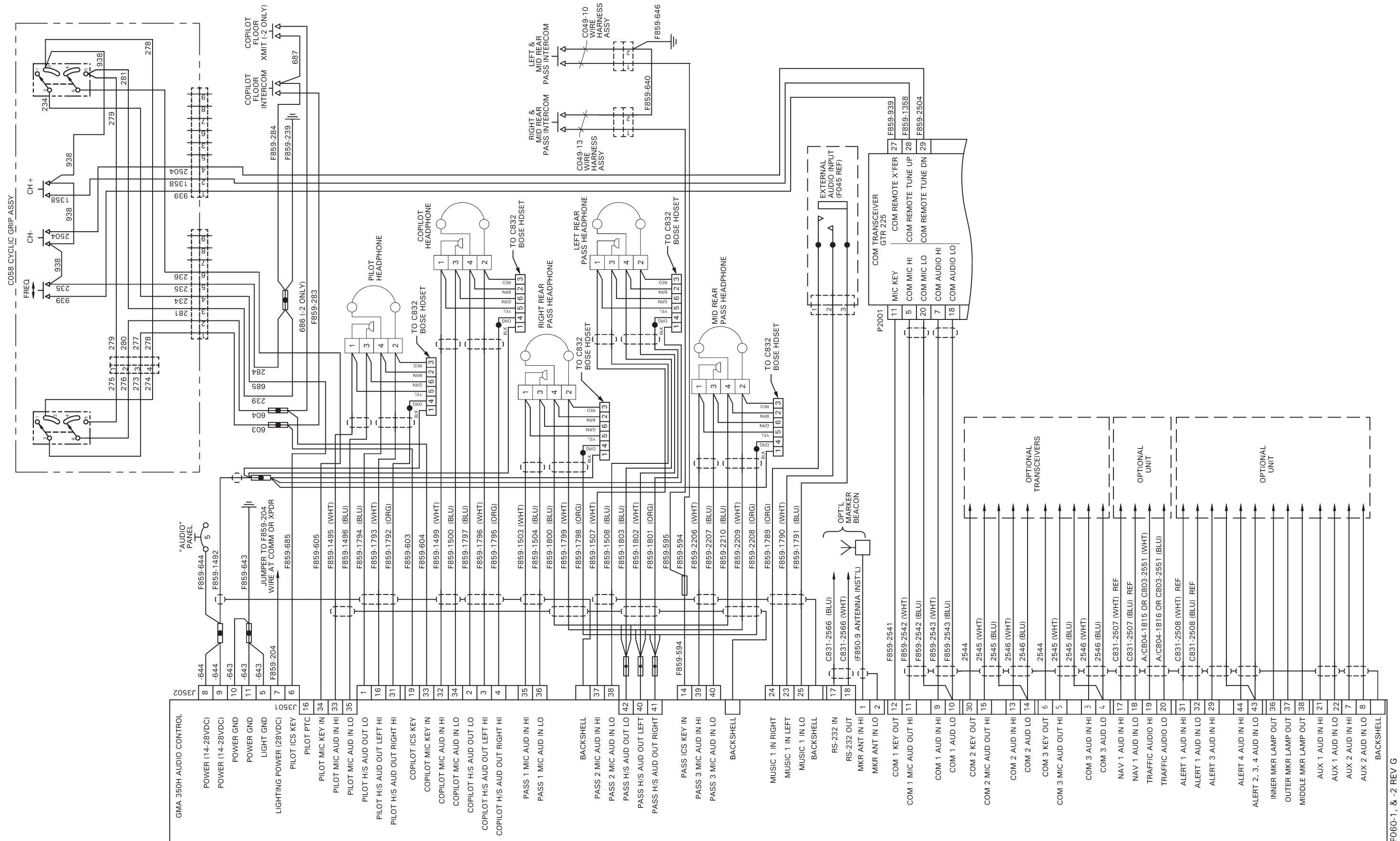


FIGURE 98-25B F060-1 & -2 INTERCOM SYSTEM INSTALLATION (GARMIN GMA 350H AUDIO CONTROL)



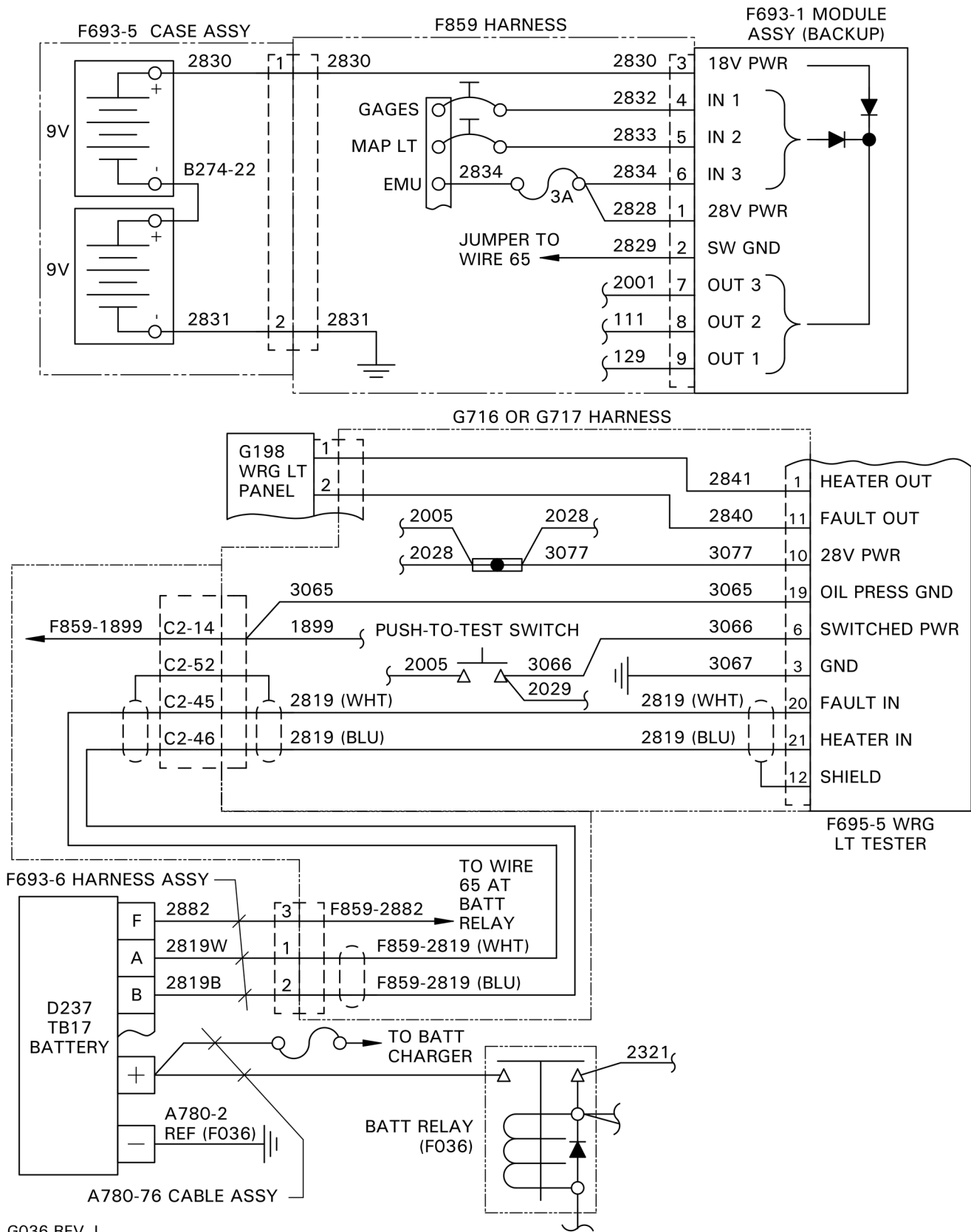
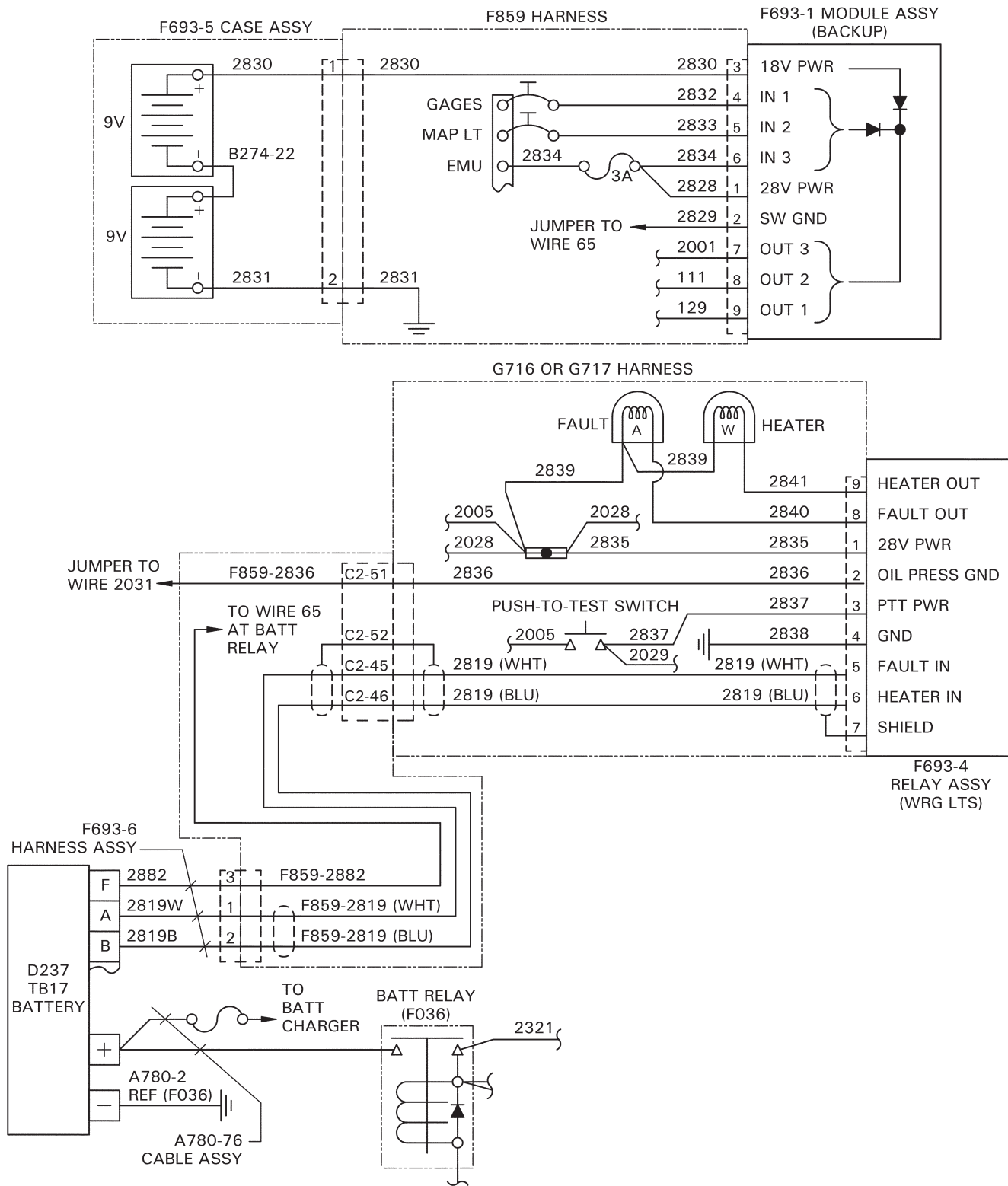


FIGURE 98-26 LITHIUM-ION BATTERY INSTALLATION  
(Ships equipped with G198-7 warning light panel.)



G036 REV G

FIGURE 98-26A LITHIUM-ION BATTERY INSTALLATION  
(Ships equipped with G198-1 warning light panel.)

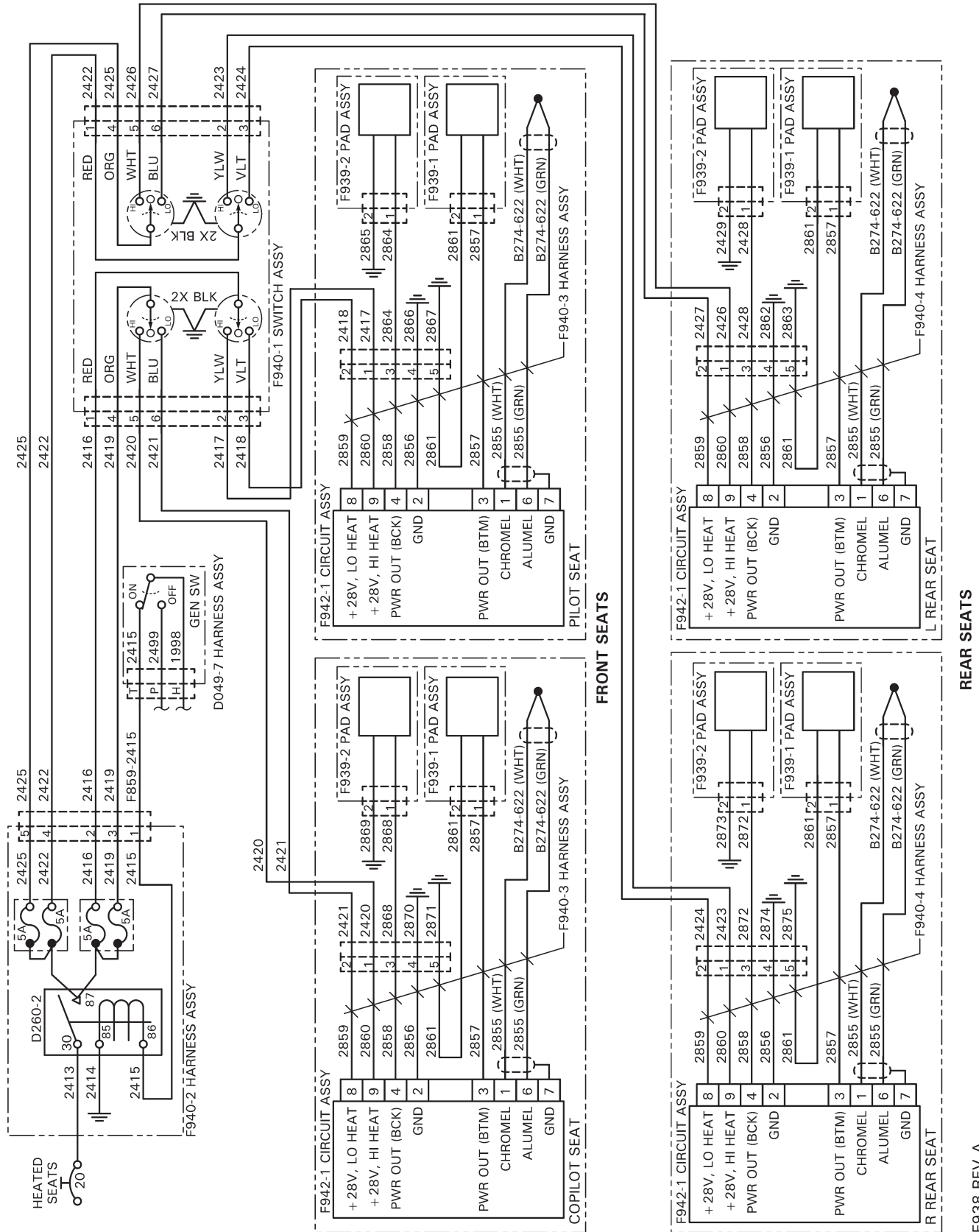
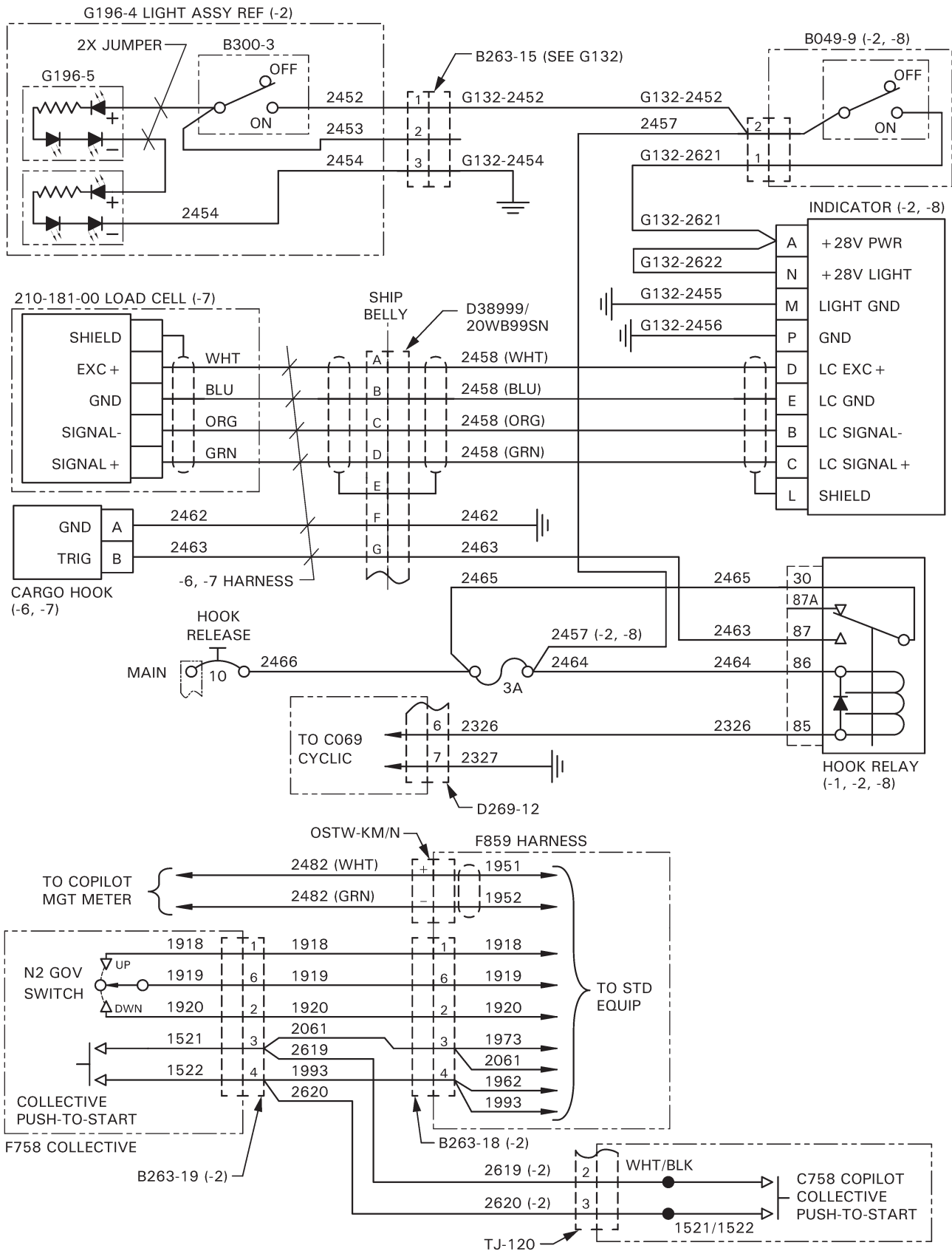


FIGURE 98-27 HEATED SEATS INSTALLATION

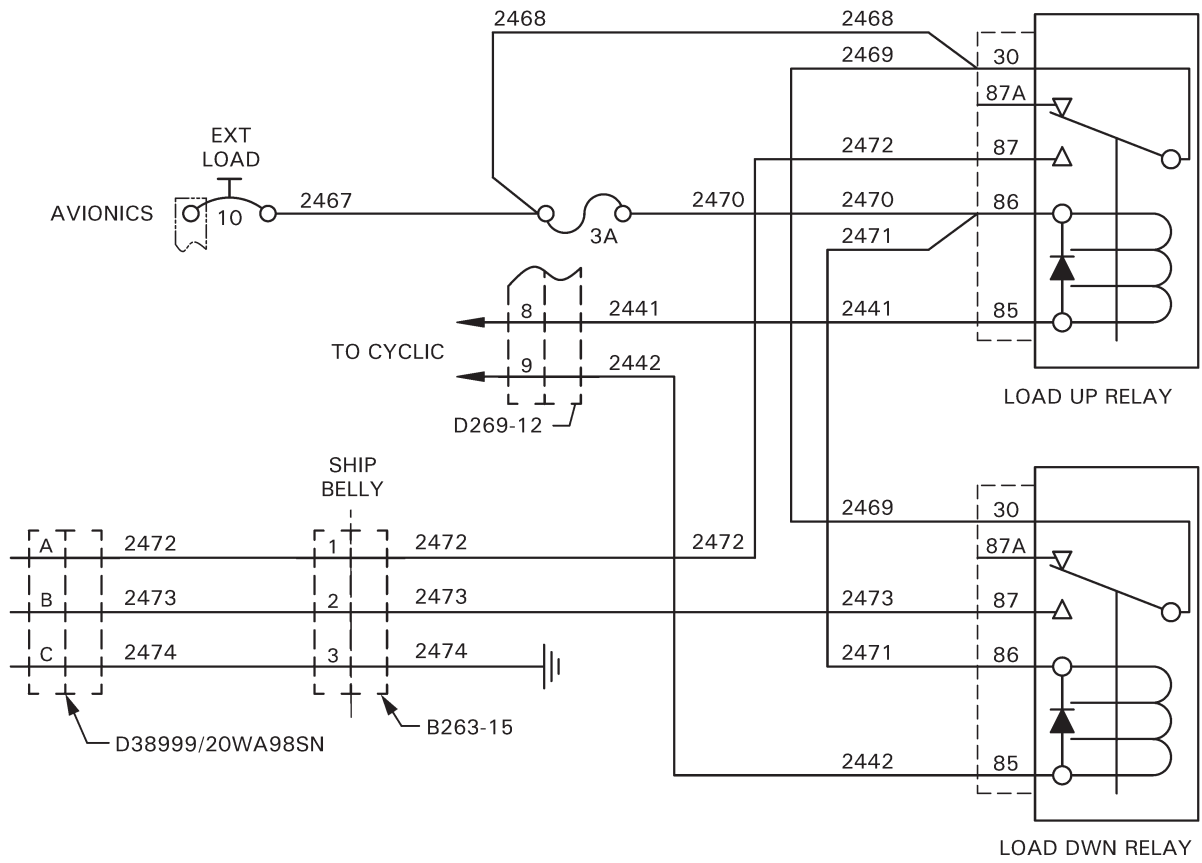
Intentionally Blank



G140 REV C

**FIGURE 98-28 CARGO HOOK INSTALLATION**

Intentionally Blank

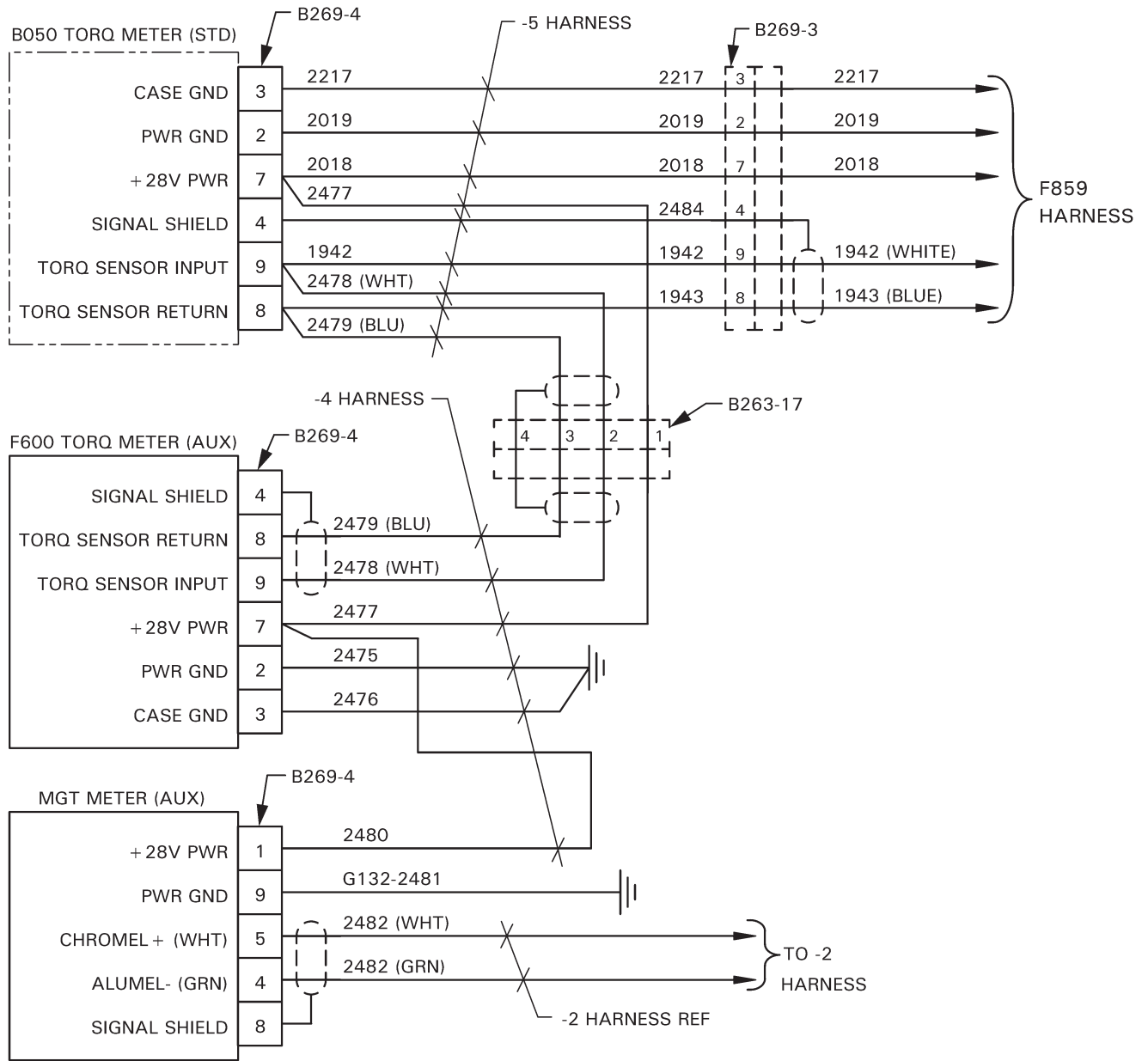


G140 REV C

**FIGURE 98-29 EXTERNAL LOAD CONTROLS**

Intentionally Blank

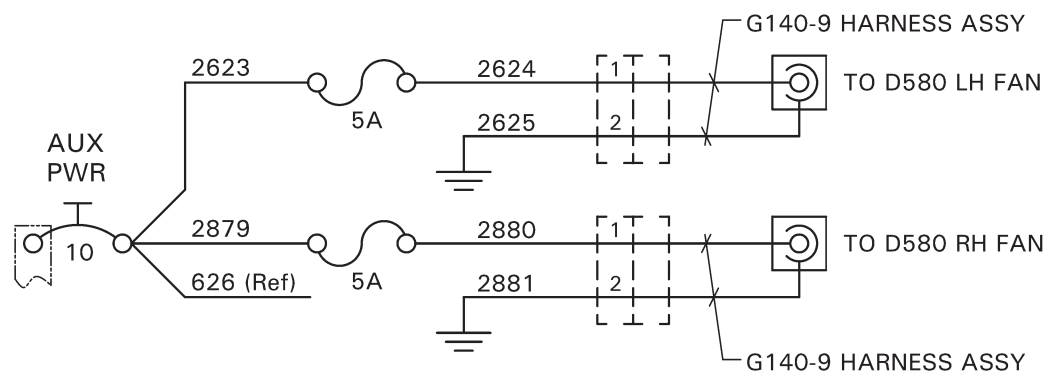




G140 REV C

**FIGURE 98-30 COPILOT INSTRUMENTS INSTALLATION**

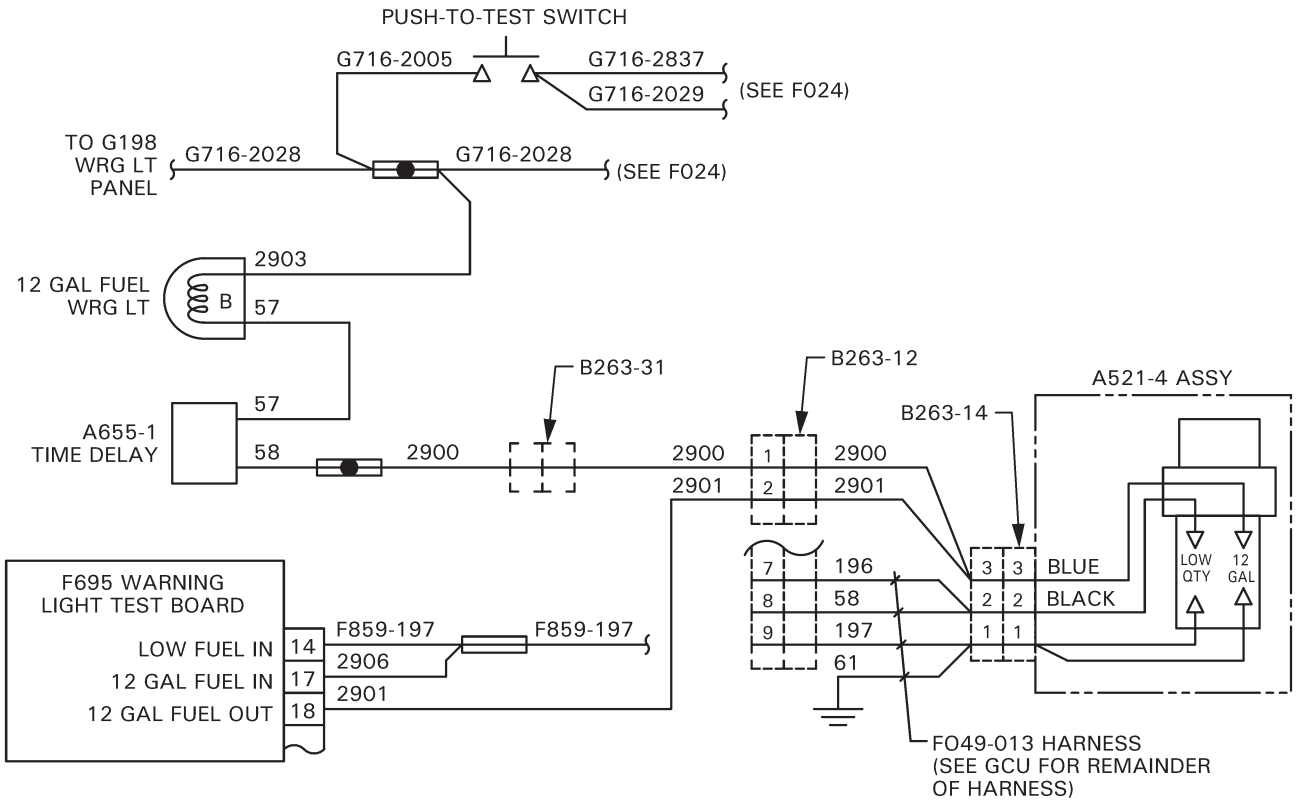
Intentionally Blank



G140 REV C

FIGURE 98-31 BUBBLE DOOR FANS INSTALLATION

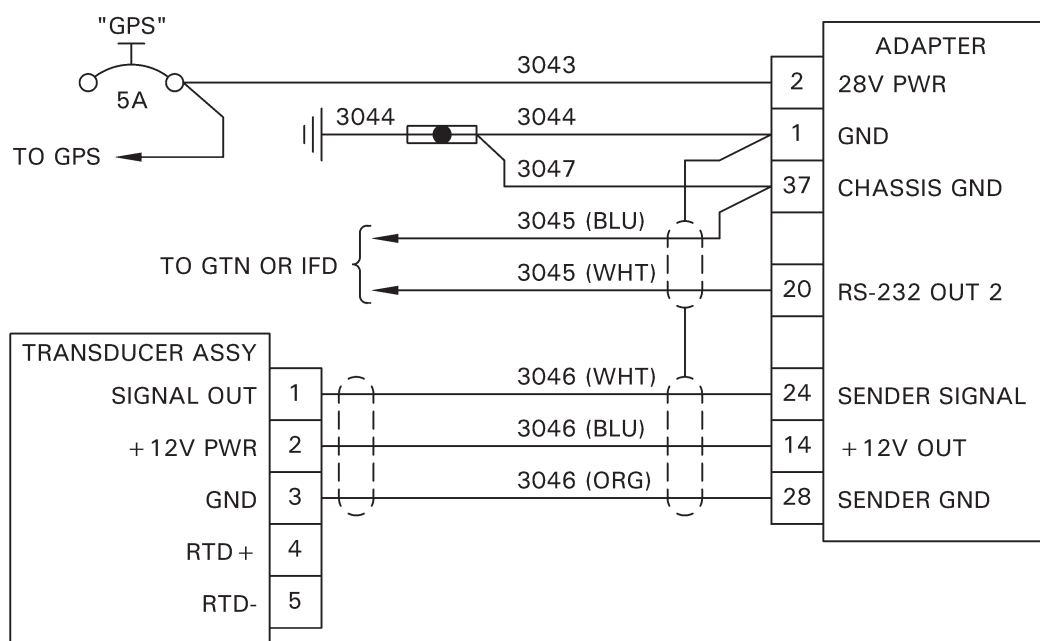
Intentionally Blank



G806 REV A

**FIGURE 98-32 DUAL LOW FUEL WARNING LIGHT INSTALLATION**

Intentionally Blank



G090 REV A

**FIGURE 98-33 FUEL FLOW METER INSTALLATION**

Intentionally Blank



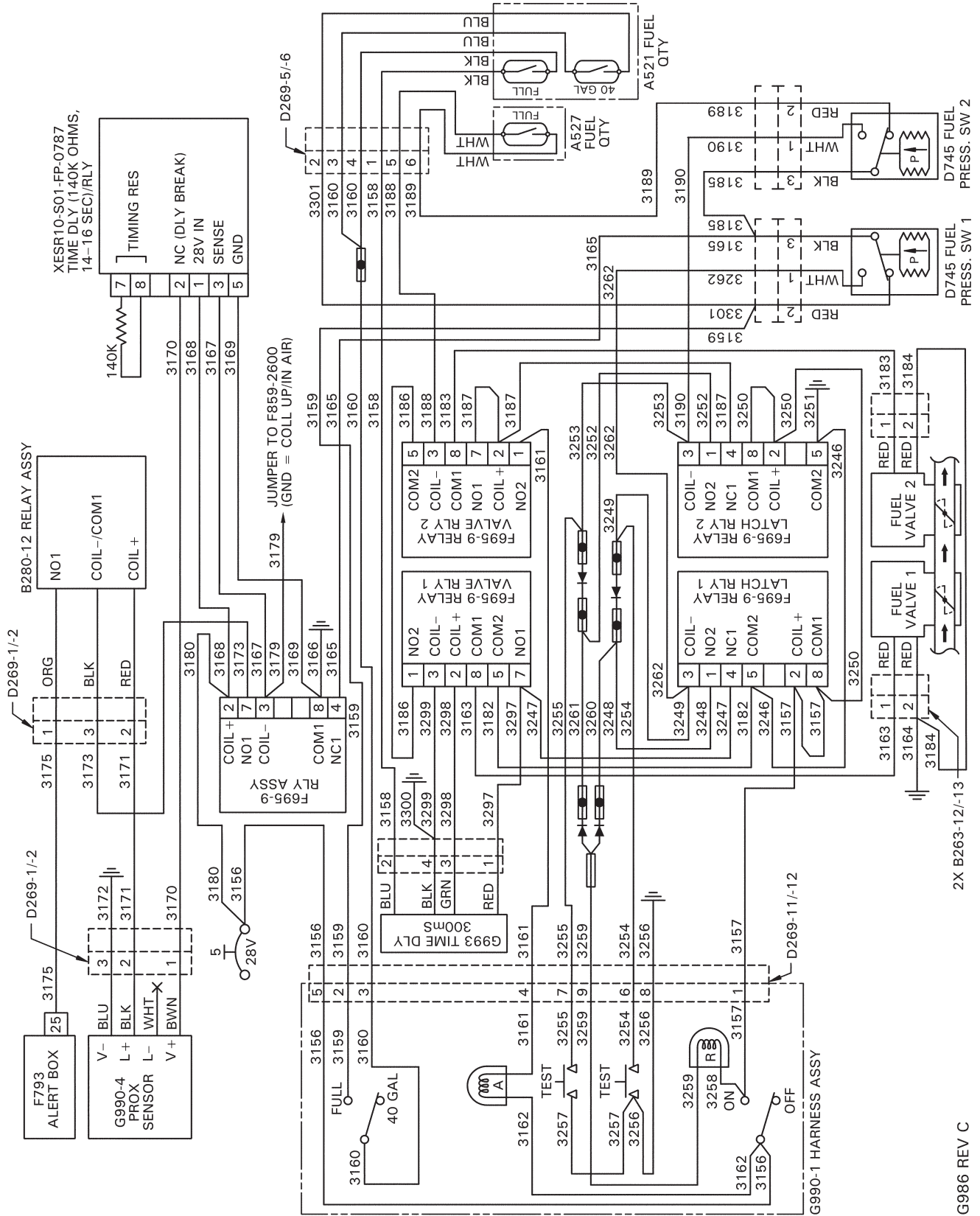


FIGURE 98-34 PRESSURE FUELING SYSTEM INSTALLATION (OPTIONAL)

Intentionally Blank