

R66 TURBINE POLICE HELICOPTER

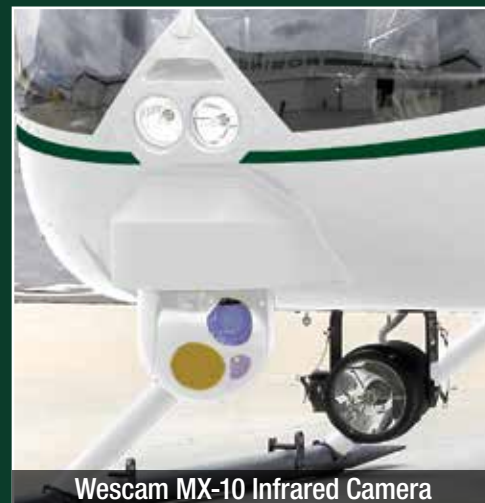


The R66 POLICE HELICOPTER offers law enforcement agencies a reliable, high-performance turbine helicopter that is economical and easy to maintain.

The four-place R66 Police Helicopter meets the latest FAA crashworthiness regulations. Its aerodynamic fuselage optimizes airspeed and fuel economy, allowing the helicopter to remain on station for up to three hours. The R66 Police Helicopter comes turn-key equipped with the latest in navigation and surveillance technology.

- Wescam MX-10 Infrared Camera
- Garmin G500H 1060 TXi PFD/MFD (compatible with optional autopilot)
- Garmin GTN 635 Touchscreen GPS/COM
- SX-7 Starsun Searchlight System, 25-30 Million Candlepower Searchlight
- Two 6-Channel Audio Controllers
- Lithium-ion Battery
- Fold-Away Color Monitor
- Garmin GTX 335 Transponder

A wide variety of upgrades and options are available including: searchlight-to-camera slaving system, NVG capabilities, 5-point shoulder harness system (front seats), P/A speaker and siren, LoJack provisions, moving map systems, Garmin Synthetic Vision Technology, a selection of UHF, VHF, and 800 MHz police radios, SAS/ Autopilot, radar altimeter, air conditioning, and auxiliary fuel tank.



Wescam MX-10 Infrared Camera

R66 TURBINE POLICE HELICOPTER

SPECIFICATIONS

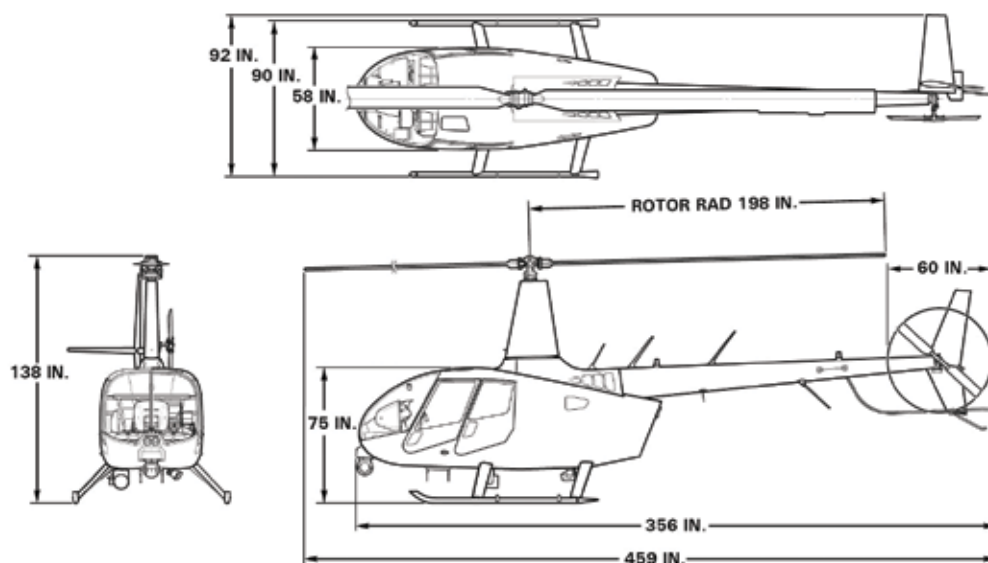
Engine	Rolls Royce RR300 turbine
Horsepower	300 shp turboshaft; derated to 270 shp for takeoff and 224 shp continuous
Maximum Gross Weight	2700 lb (1225 kg)
Approximate Empty Weight (including oil, avionics and standard police package)	1421 lb (644 kg)
Standard Fuel Capacity (73.6 gal)	493 lb (224 kg)
Pilot, Passengers, and Cargo with Standard Fuel	786 lb (357 kg)
Cruise Speed at Maximum Gross Weight	up to 110 kts (127 mph)
Maximum Range (no reserve)	approx 325 nm (602 km)
Hover Ceiling IGE at Max. Gross Weight	over 10,000 ft
Hover Ceiling OGE at Max. Gross Weight	over 10,000 ft
Rate of Climb	over 1000 fpm
Maximum Operating Altitude	14,000 ft
Electrical System	28 volt



STANDARD EQUIPMENT

- Hydraulic power controls
- Bladder fuel tank
- Lithium-ion battery
- Integrated engine oil filter with bypass indicator
- Engine air filter with bypass indicator
- Main gearbox oil filter with bypass indicator
- 160 amp starter generator
- Engine compressor rinse nozzle
- Electronic engine monitoring unit (EMU)
- Engine anti-ice system
- Cabin heater and defogger
- Rotor brake
- Intercom switches
- Avionics master switch
- Tinted windows
- Leather seats
- 3-point shoulder harnesses
- Pilot-side adjustable pedals
- Door locks
- Belly hardpoint
- LED anti-collision and navigation lights
- Dual HID landing lights
- LED panel and map lights
- Ground handling wheels
- Rotor blade tie-downs
- Windshield cover
- Travel bag

DIMENSIONS



ROBINSON HELICOPTER COMPANY

2901 Airport Drive • Torrance, CA • 90505 • USA
 Phone: 310-539-0508 • Fax: 310-539-5198
www.robinsonheli.com