

CHAPTER 97

AVIONICS

<i>Figure</i>	<i>Title</i>	<i>Page</i>
97-1	Garmin G500H EFIS – GTN 600/700-series GPS	97.0
97-5	Garmin G500H EFIS – GDC 74H Air Data Computer	97.4
97-9	Garmin G500H EFIS – GRS 77H AHRS	97.8
97-13	Garmin G500H EFIS – GMU 44 Magnetometer	97.12
97-15	Radar Altimeter Indicator – Eight-Instrument Console	97.14
97-17	Radar Altimeter Indicator – Seven/Nine-Instrument Console	97.16
97-19	Radar Altimeter – System Installation	97.18
97-21	Garmin GTX 33 Transponder Installation	97.20
97-23	Garmin GDL 69A XM Receiver Installation	97.22
97-25	Avionics Panel Switches and Garmin GTR 225B COM Radio Inst'l	97.24
97-29	Garmin GDL 88 Receiver (ADS-B) Installation	97.28
97-31	Garmin GTX 3XX Transponder and Blind Encoder Installation	97.30
97-33	Pilot's Side Console – Garmin GTN 700-Series GPS	97.32
97-37	Pilot's Side Console – Garmin GTN 600-Series GPS (Single)	97.36
97-39	Pilot's Side Console – Garmin GTN 600-Series GPS (Dual)	97.38
97-41	Pilot's Side Console – Garmin 500-Series GPS	97.40
97-45	Pilot's Side Console – Garmin 400-Series GPS	97.44
97-49	Audio Control Installation	97.48
97-51	Dual Audio Control Installation	97.50
97-53	Audio and Intercom Switches Installation	97.52
97-57	Standard Headset Jacks Installation	97.56
97-59	Bose Headset Jacks Installation	97.58

CHAPTER 97

AVIONICS (Continued)

<i>Figure</i>	<i>Title</i>	<i>Page</i>
97-61	Bose Headset Jacks Installation	97.60
97-63	Transponder and Blind Encoder Installation	97.62
97-65	ADF System Installation	97.64
97-67	VOR Indicator Installation	97.66
97-69	Spidertracks Provision Installation	97.68

Intentionally Blank

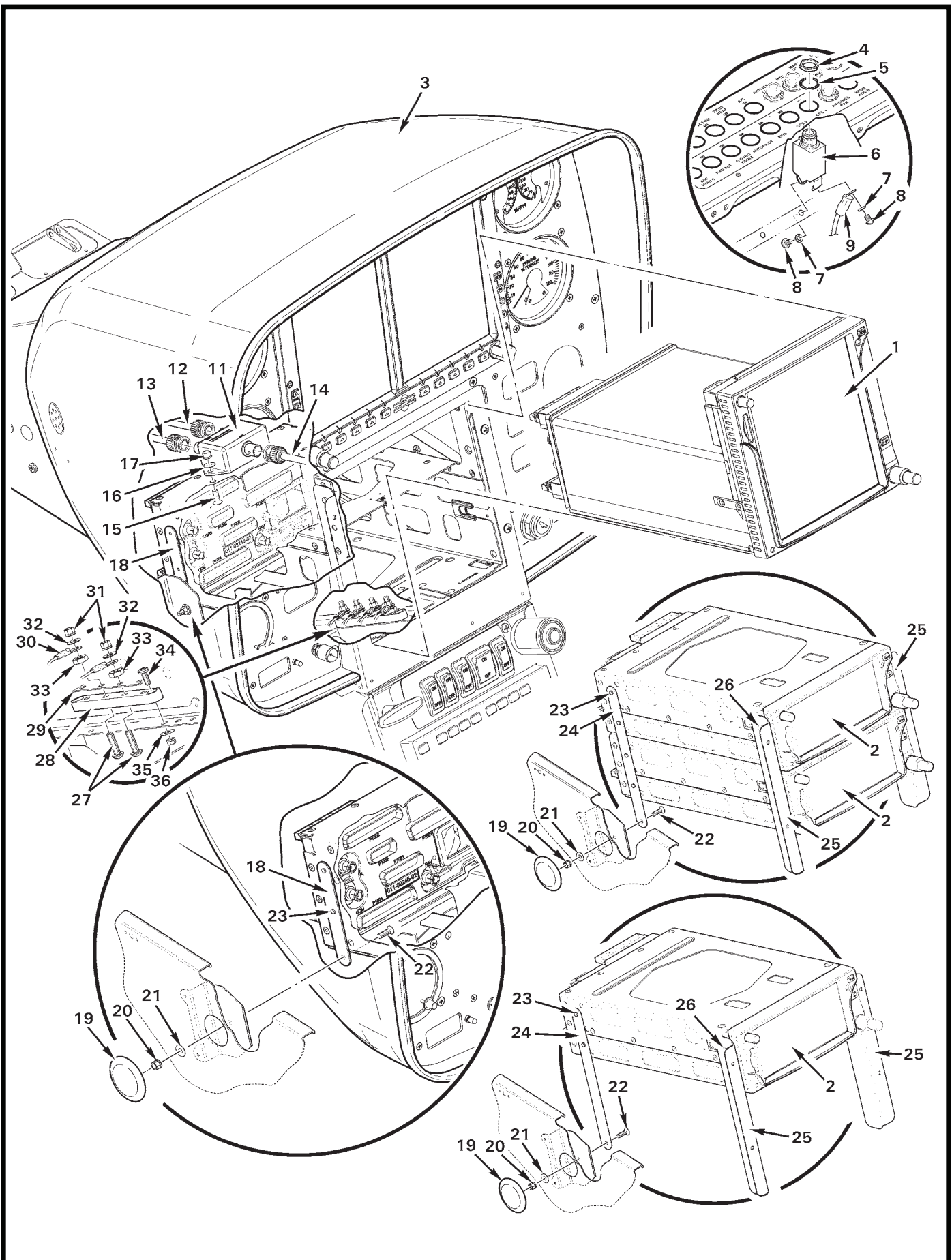


FIGURE AND INDEX NUMBER	PART NUMBER	DESCRIPTION	PARTS AVAIL	QTY PER ASSY
		GARMIN G500H EFIS – GTN 600/700-SERIES GPS		
97-1-1	GTN 750	Transceiver	X	1
	GTN 725	Transceiver	X	1
2	GTN 650	Transceiver	X	1
	GTN 635	Transceiver	X	1
	GTN 625	Transceiver	X	1
3	G060-3	Console Assembly	X	1
4	—	Nut	O	1
5	—	Lockwasher	O	1
6	B297-5	Circuit Breaker (Incl items 4, 5, 7, and 8)	X	A/R
7	—	Washer	O	1
8	—	Screw	O	1
9	B260-2	Terminal	X	A/R
	-466	Wire (Ref, GPS 1)		
	-1426	Wire (Ref, GPS 2)		
	-200	Wire (Ref, COM 1)		
	-704	Wire (Ref, COM 2)		
10	A448	Bus Bar (Ref)		
11	CI 507	Diplexer	X	1
12	-1847	Cable (Ref, from NAV antenna)		
13	-2730	Cable (Ref, from glideslope antenna)		
14	-2731	Cable (from diplexer to transceiver)	X	1
15	MS24694-3	Screw	X	2
16	NAS1149FN816P	Washer	X	2
17	MS21042L08	Nut	X	2
18	A684-4	Strap	X	2
19	S1413	Hole Plug	X	2
20	MS21042L06	Nut	X	2
21	NAS1149FN616P	Washer	X	2
22	—	Screw (6-32 CSK supplied with radio)	O	2
23	NAS1097AD3	Rivet	X	A/R
24	A684-3	Strap	X	2
25	C905-6	Angle	X	2
26	MS20426AD4	Rivet	X	6
27	B567-43	Screw (install using B270-9 adhesive under head)	X	4
28	C448-2	Terminal Block Assembly	X	1
	C448-4	Block (Ref)		

NOTES

Continues

FIGURE AND INDEX NUMBER	PART NUMBER	DESCRIPTION	PARTS AVAIL	QTY PER ASSY
		GARMIN G500H EFIS – GTN 600/700-SERIES GPS (Cont'd)		
97-1-29	A448-10	Bus Bar	X	1
30	B260-3	Terminal	X	A/R
	-465	Wire (Ref, GPS 1 ground)		
	-427	Wire (Ref, GPS 2 ground)		
	-2506	Wire (Ref, lighting ground)		
	-2537	Wire (Ref)		
	-201	Wire (Ref, COM 1 ground)		
	-704	Wire (Ref, COM 2 ground)		
	-2531	Wire (Ref, ground)		
31	MS21042L08	Nut	X	A/R
32	NAS1149FN816P	Washer	X	A/R
33	B301-8	Nut	X	4
34	MS35206-228	Screw	X	2
35	NAS1149FN616P	Washer	X	2
36	MS21042L06	Nut	X	2

NOTES

Intentionally Blank

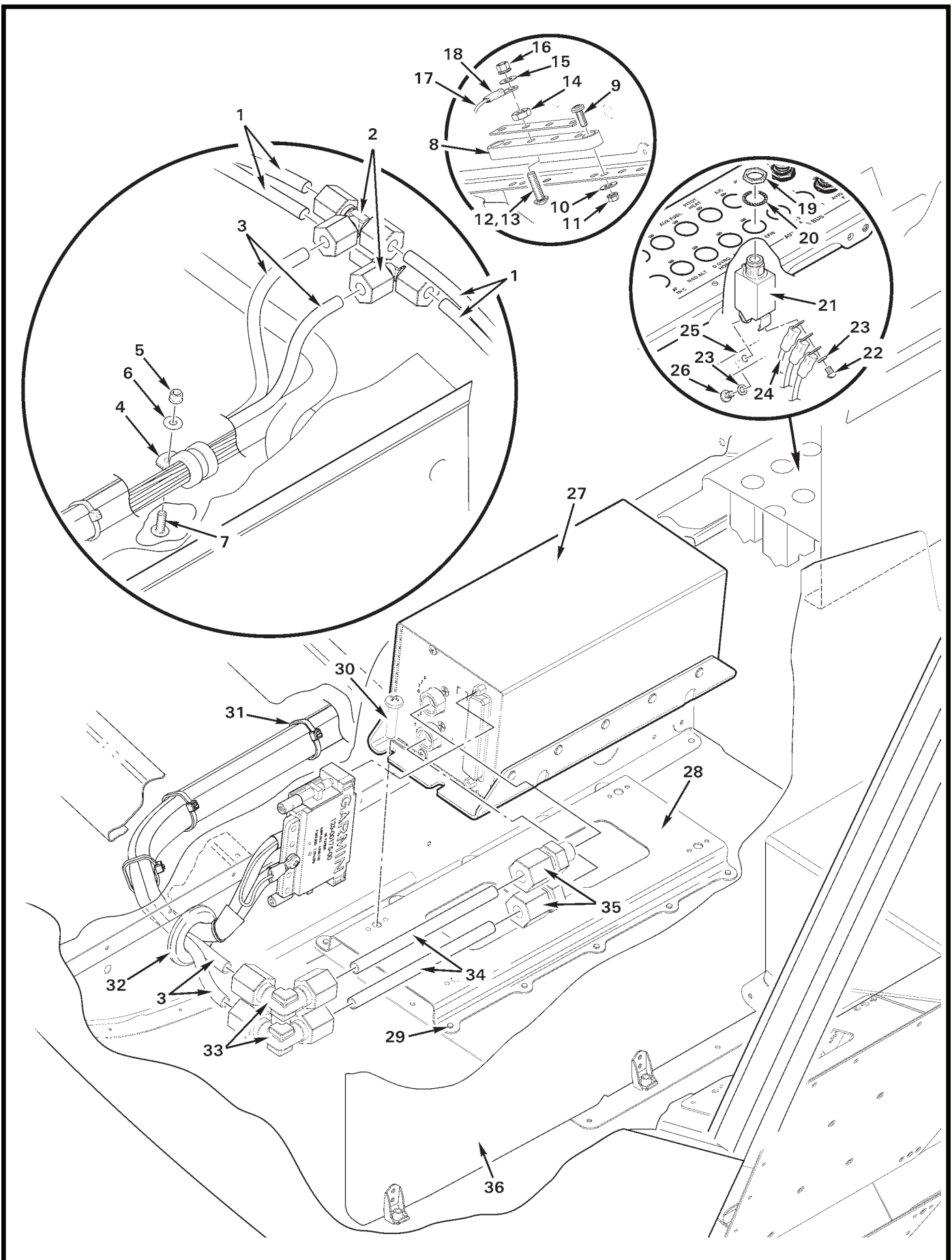


FIGURE AND INDEX NUMBER	PART NUMBER	DESCRIPTION	PARTS AVAIL	QTY PER ASSY
		GARMIN G500H EFIS – GDC 74H AIR DATA COMPUTER		
97-5-1	A729-28	Tube (Ref)		
2	60-4-2-N-0	Tee	X	2
3	A729-22	Tube	X	2
4	MS21919WDG8	Clamp	X	1
5	MS21042L08	Nut	X	1
6	NAS1149FN816P	Washer	X	1
7	AN526C832R8	Screw	X	1
8	C448-2	Block Assembly (Includes C448-5 block, A448-10 bus bar, and items 12 thru 14.)	X	1
	C448-5	Block (Ref)		
9	MS35206-228	Screw	X	2
10	NAS1149FN616P	Washer	X	2
11	MS21042L06	Nut	X	2
12	B567-43	Screw (install using item 13 under screw head)	X	4
13	B270-9	Adhesive	X	A/R
14	B301-8	Nut	X	4
15	NAS1149FN816P	Washer	X	A/R
16	MS21042L08	Nut	X	A/R
17	-2596	Wire (Ref, GDC 74H Computer ground)		
18	B260-3	Terminal	X	A/R
19	—	Nut	X	1
20	—	Lockwasher	X	1
21	B297-5	Circuit Breaker (Incl 19, 20, 22, and 23)	X	1
22	—	Screw (6-32 x 1/4)	X	1
23	—	Washer	X	2
24	-2563	Wire (Ref)		
	-2695	Wire (Ref)		
	-2595	Wire (Ref)		
25	A448	Bus Bar (Ref)		
26	—	Screw (Ref, 6-32 X 3/16)		
27	GDC 74H	Air Data Computer	X	1
28	F950-2	Support Assembly	X	1
29	MS20247AD4	Rivet	X	10
30	MS27039C1-07	Screw	X	4
31	MS3367-4-9	Ty-Rap	X	A/R
32	MS35489-19	Grommet	X	1

NOTES

Continues

FIGURE AND INDEX NUMBER	PART NUMBER	DESCRIPTION	PARTS AVAIL	QTY PER ASSY
		GARMIN G500H EFIS – GDC 74H AIR DATA COMPUTER (Cont'd)		
97-5-33	50-4-N-0	Elbow	X	2
34	A729-26	Tube	X	2
35	10-4-2-N-0	Fitting	X	2
36	F748-1	Cover (Ref)		

NOTES

Intentionally Blank

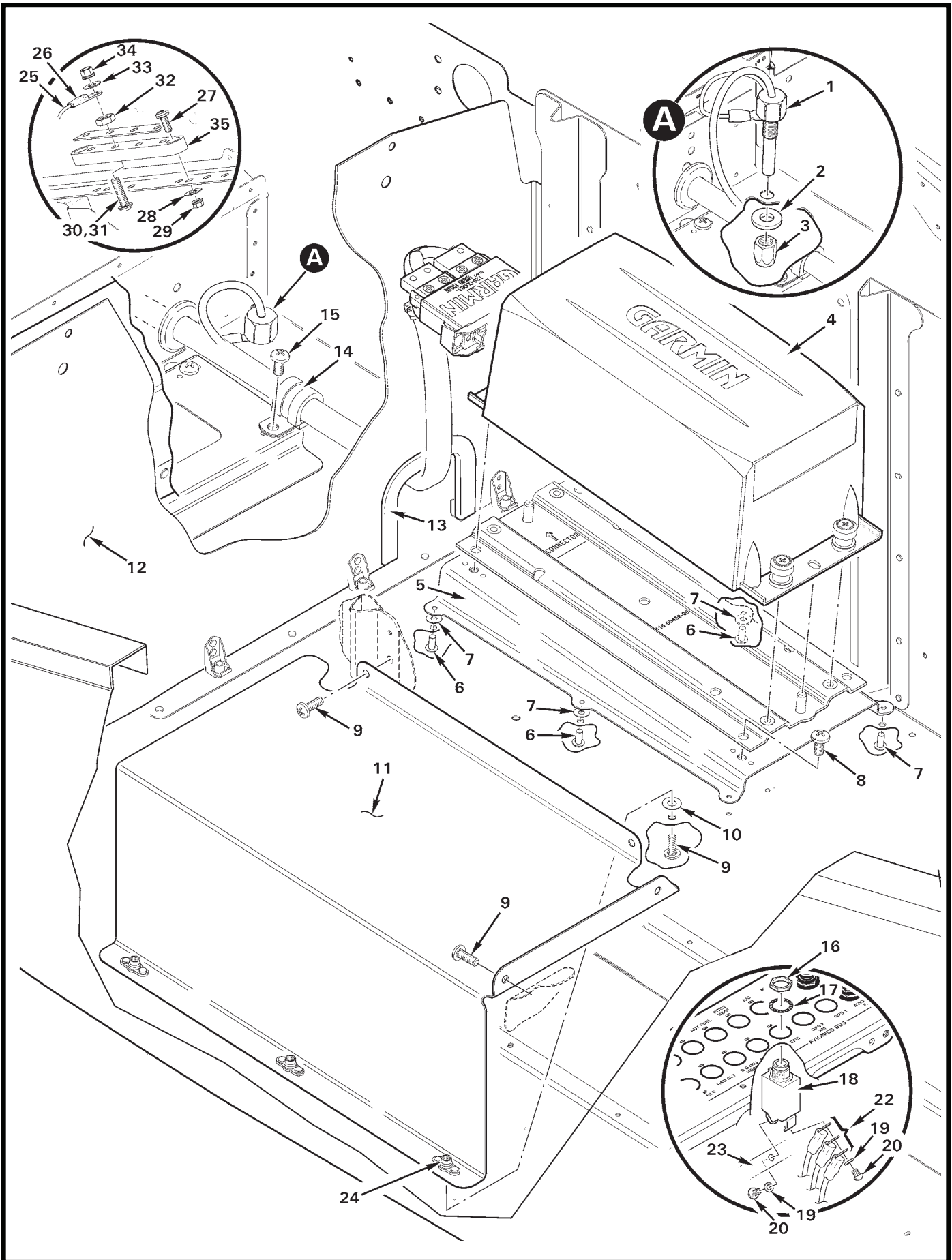


FIGURE AND INDEX NUMBER	PART NUMBER	DESCRIPTION	PARTS AVAIL	QTY PER ASSY
GARMIN G500H EFIS – GRS 77H AHRS				
97-9-1	GTP 59	Temperature Probe (Incl items 2 and 3)	O	1
2	—	Washer	O	1
3	—	Nut	O	1
4	GRS 77H	Altitude and Heading Reference System (AHRS)	X	1
5	F950-1	Support Assembly	X	1
6	MS20470AD4	Rivet	X	6
7	NAS1149FN416P	Washer (3 under each rivet)	X	18
8	MS27039C1-06	Screw	X	4
9	MS27039C0806	Screw	X	7
10	NAS1149FN816P	Washer (between floor and cover)	X	3
11	F950-3	Cover Assembly	X	1
12	F748-1	Cover Assembly (Ref)		
13	A226-15	Trim	X	A/R
14	MS21919WDG8	Clamp	X	1
15	MS27039C1-07	Screw	X	1
16	—	Nut	O	1
17	—	Washer	O	1
18	B297-5	Circuit Breaker (5 amp; includes 16, 17, 19, and 20)	X	1
19	—	Washer	O	1
20	—	Screw (6-32 x 1/4)	O	A/R
21	-2563	Wire (Ref)		
	-2695	Wire (Ref)		
	-2595	Wire (Ref)		
22	B260-2	Terminal	X	A/R
23	A448	Bus Bar (Ref)		
24	MS21069L08	Nutplate	X	1
	NAS1097AD	Rivet	X	2
25	-2589	Wire (Ref)		
26	B260-3	Terminal	X	A/R
27	MS35206-228	Screw	X	2
28	NAS1149FN616P	Washer	X	2
29	MS20142L06	Nut	X	2
30	B567-43	Screw (install using item 31 under screw head)	X	4
31	B270-9	Adhesive	X	A/R
32	B301-8	Nut	X	4
33	NAS1149FN616P	Washer	X	A/R

NOTES

Continues

FIGURE AND INDEX NUMBER	PART NUMBER	DESCRIPTION	PARTS AVAIL	QTY PER ASSY
GARMIN G500H EFIS – GRS 77H AHRS (Cont'd)				
97-9-34 35	MS21042L08 C448-2 C448-5	Nut Terminal Block Assembly (Incl items 27 thru 34) Block (Ref)	X X	A/R 1

NOTES

Intentionally Blank

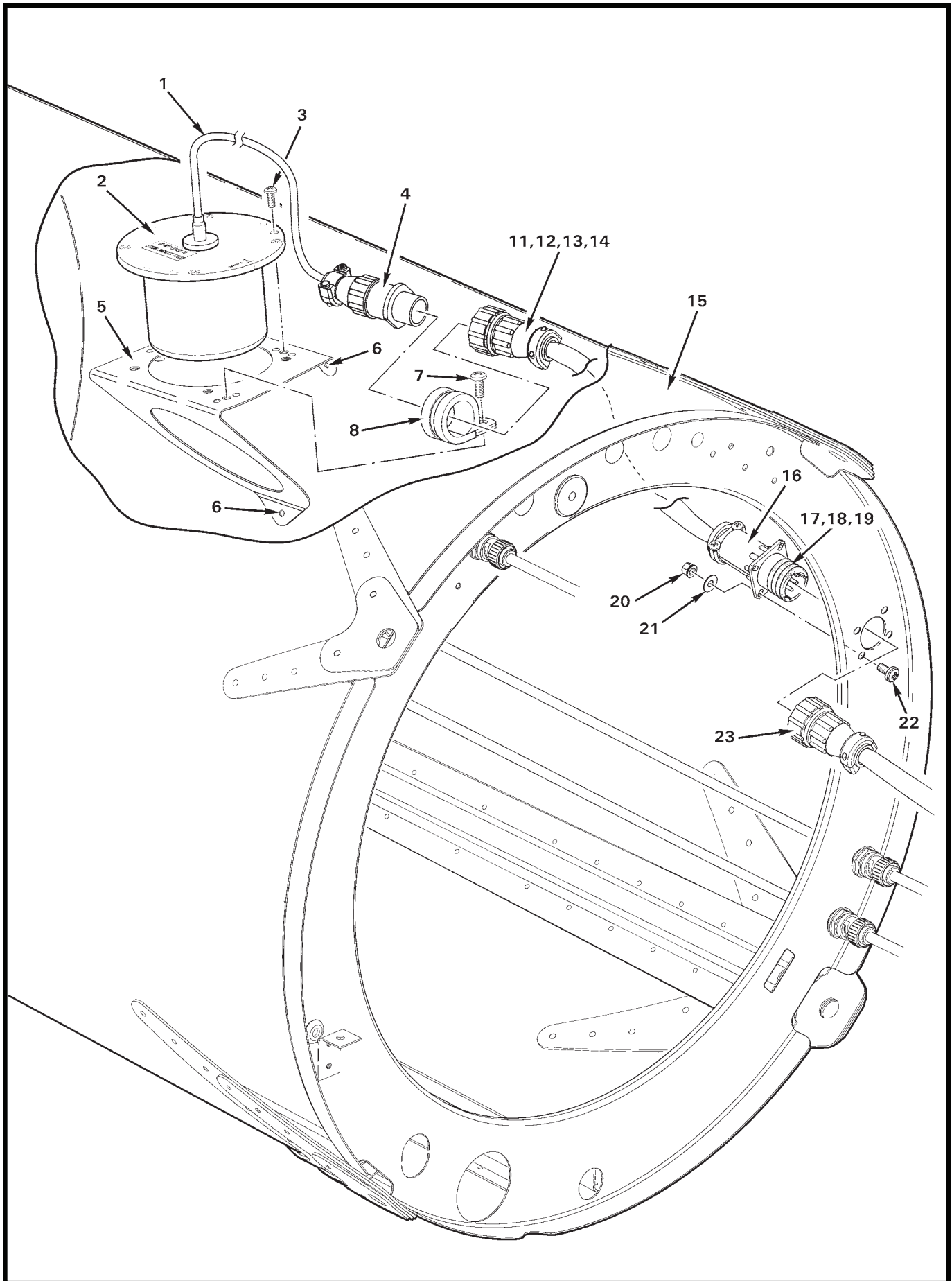


FIGURE AND INDEX NUMBER	PART NUMBER	DESCRIPTION	PARTS AVAIL	QTY PER ASSY
GARMIN G500H EFIS – GMU 44 MAGNETOMETER				
97-13-1	—	Cable (Ref)	O	1
2	GMU 44	Magnetometer (Incl items 1 and 4)	X	1
3	MS27039C0807	Screw	X	3
4	—	Connector (Ref)		
5	F950-4	Bracket Assembly (includes nutplates)	X	1
6	MS20470AD4	Rivet	X	3
7	MS27039C0806	Screw	X	1
8	MS21919WDG12	Clamp	X	1
9	F951-1	Harness Assembly (Incl items 10 thru 14, 16 thru 19, and wires, assembled)	X	1
10	206485-1	Plug	X	1
11	206358-5	Backshell	X	1
12	205090-1	Socket	X	7
13	B267-3	Terminator (not shown)	X	2
14	B158-6	Heat Shrink	X	A/R
15	C023	Tailcone Assembly (Ref)		
16	206358-5	Backshell	X	1
17	205089-1	Pin (not shown)	X	7
18	B267-3	Terminator (not shown)	X	2
19	B158-6	Heat Shrink (not shown)	X	A/R
20	—	Nut (Ref)		
21	—	Washer (Ref)		
22	—	Screw (Ref)		
23	—	Connector (Ref, backshell/socket)		

NOTES

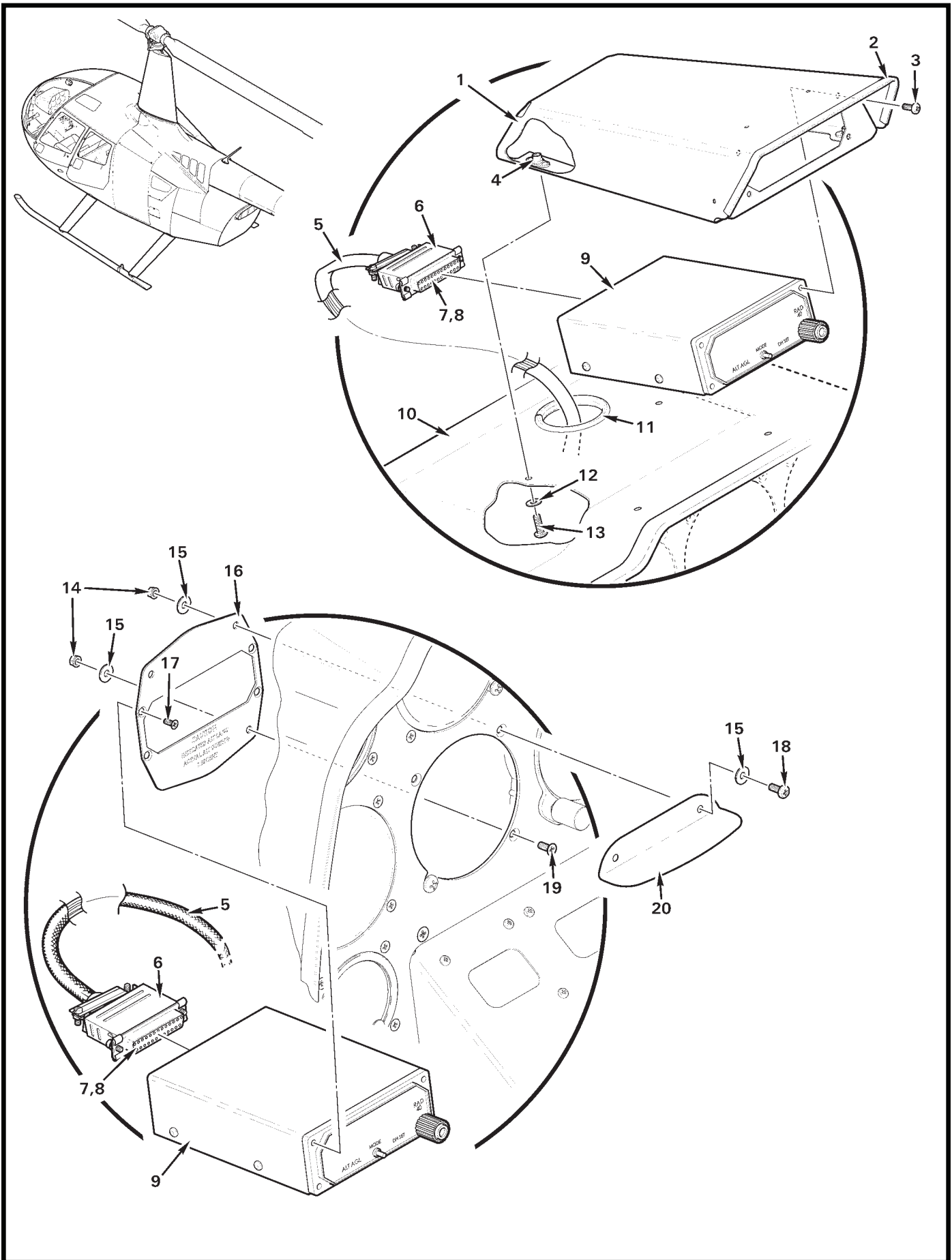


FIGURE AND INDEX NUMBER	PART NUMBER	DESCRIPTION	PARTS AVAIL	QTY PER ASSY
RADAR ALTIMETER INDICATOR – EIGHT-INSTRUMENT CONSOLE				
97-15-1	B560-4	Enclosure Assembly (Incl items 2 and 4)	X	1
2	A226-15	Trim	X	A/R
3	9-2804-068-10*	Screw	O	4
4	MS21069L08	Nutplate (Ref)		
5	B266-8	Sleeving	X	A/R
6	9-2190-188-20**	Hood	O	1
7	9-2190-188-10**	Connector	O	1
8	B158-2	Heat Shrink (around wires; not shown)	X	A/R
9	RAD-40	Indicator Assembly	X	1
10	G051	Console Assembly (Ref)		
11	NAS557-24A	Grommet	X	1
12	NAS1149FN832P	Washer	X	4
13	MS27039C0807	Screw	X	4
14	MS21042L06	Nut	X	2
15	NAS1149FN632P	Washer	X	5
16	A590-5	Plate	X	1
17	MS24693-S3	Screw	X	4
18	MS35206-229	Screw	X	2
19	MS24693-S26	Screw	X	1
20	B421-3	Visor	X	1

NOTES * Above-console location.
 ** Free-Flight Systems part no.

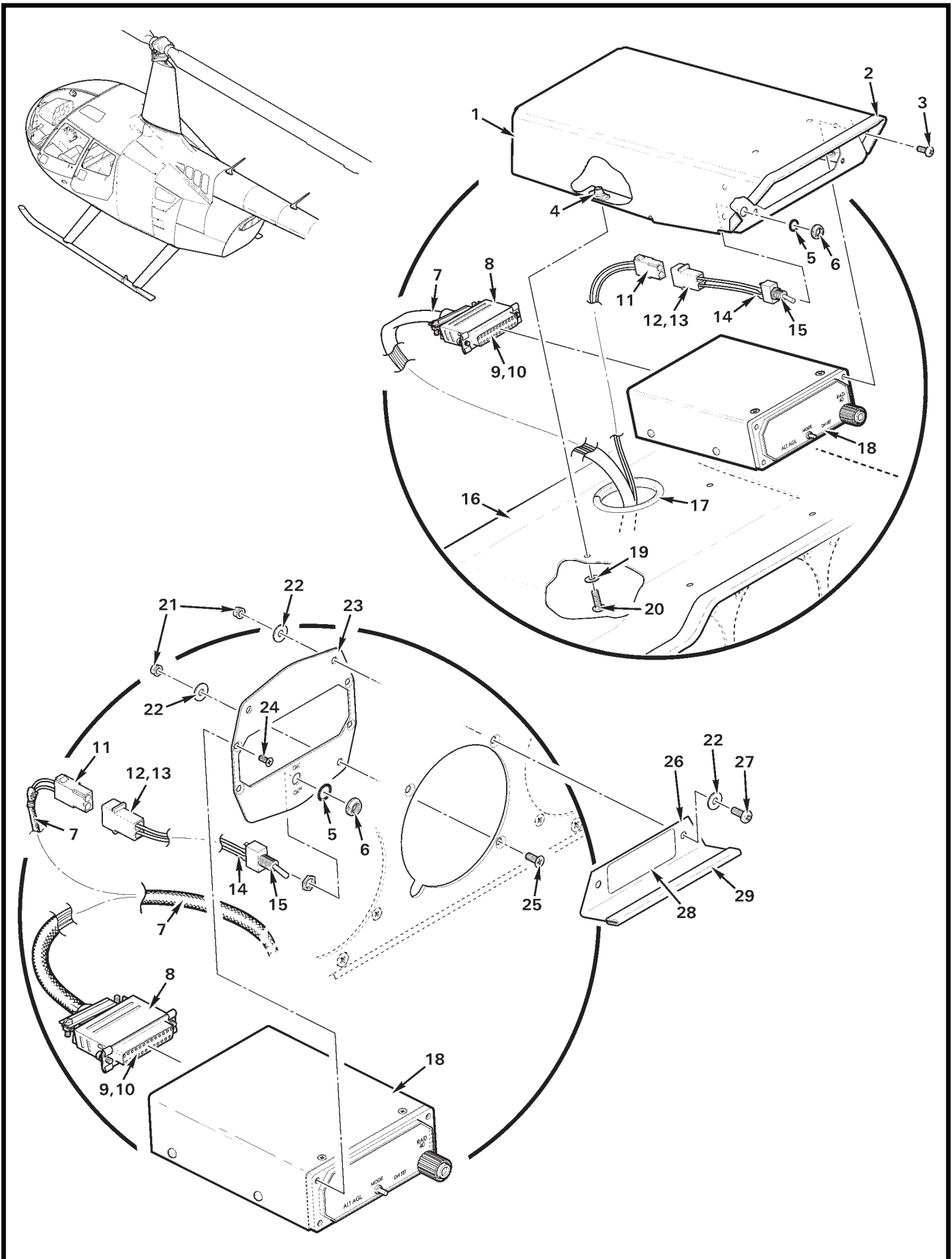


FIGURE AND INDEX NUMBER	PART NUMBER	DESCRIPTION	PARTS AVAIL	QTY PER ASSY
		RADAR ALTIMETER INDICATOR – SEVEN/NINE-INSTRUMENT CONSOLE		
97-17-1	B560-1	Enclosure Assembly (Incl items 2 and 4)	X	1
2	A226-15	Trim	X	A/R
3	9-2804-068-10*	Screw	O	4
4	MS21069L08	Nutplate (Ref)		
5	B227-3	Lockwasher	X	1
6	B227-4	Dress Nut	X	1
7	B266-8	Sleeving	X	A/R
8	9-2190-188-20**	Hood	O	1
9	9-2190-188-10**	Connector	O	1
10	B158-2	Heat Shrink (around wires; not shown)	X	A/R
11	B263-13	Housing	X	1
	B263-2	Socket	X	2
12	B049-9	Wire Harness Assembly (Incl items 13 thru 15)	X	1
13	B263-12	Housing	X	1
	B263-1	Pin	X	2
14	B158-1	Heat Shrink	X	A/R
15	B300-1	Switch Assembly (Incl items 5 and 6)	X	1
16	B051	Console Assembly (Ref)		
17	NAS557-24A	Grommet	X	1
18	RAD-40	Indicator Assembly	X	1
19	NAS1149FN832P	Washer	X	4
20	MS27039C0807	Screw	X	4
21	MS21042L06	Nut	X	2
22	NAS1149FN632P	Washer	X	5
23	A590-4	Plate	X	1
24	MS24693-S3	Screw	X	4
25	MS24693-S26	Screw	X	1
26	B421-1	Visor Assembly (Incl items 28 and 29)	X	1
27	MS35206-229	Screw	X	2
28	C654-46	Decal	X	1
29	A226-9	Trim	X	A/R

NOTES * Above-console location.
** Free-Flight Systems part no.

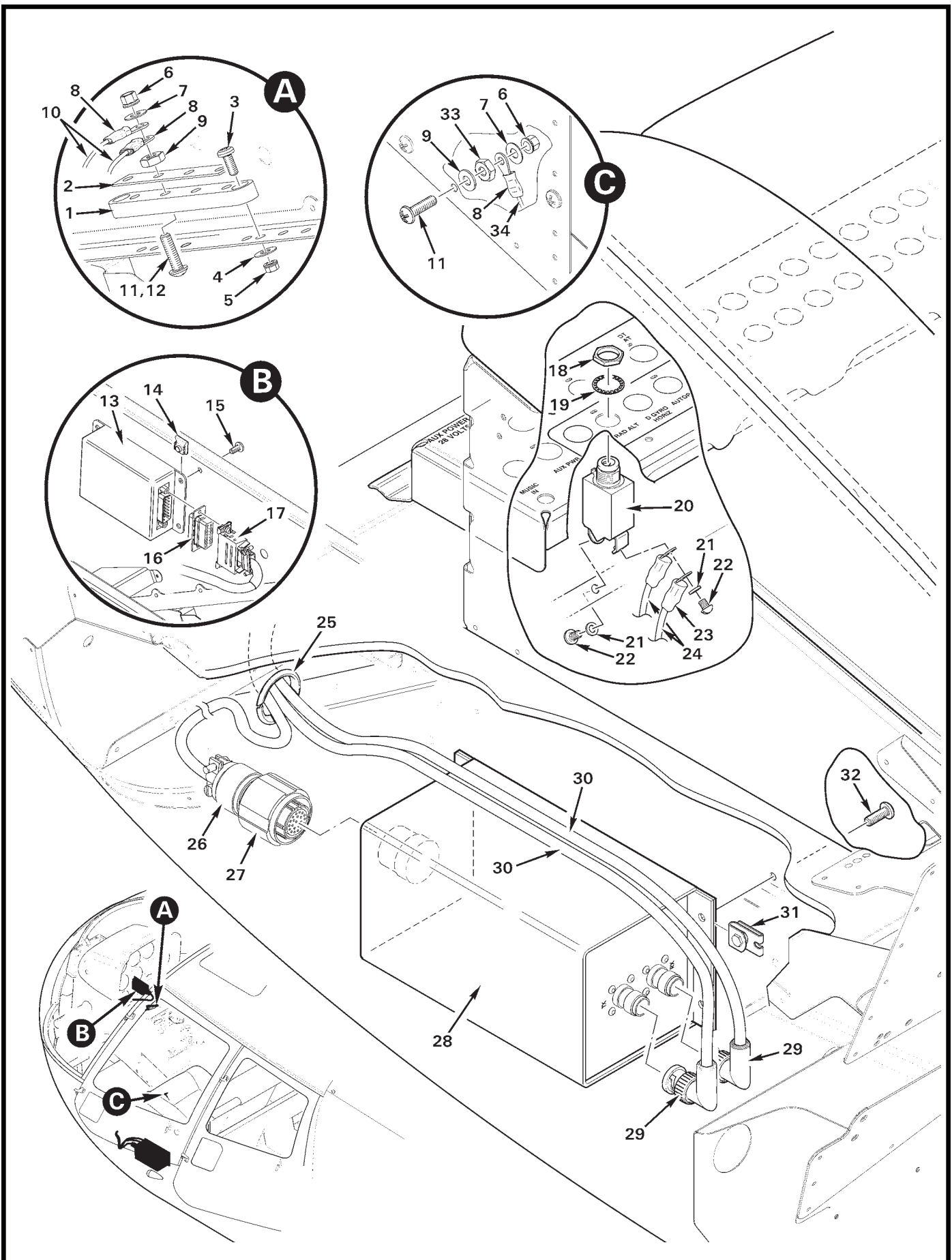


FIGURE AND INDEX NUMBER	PART NUMBER	DESCRIPTION	PARTS AVAIL	QTY PER ASSY
		RADAR ALTIMETER – SYSTEM INSTALLATION*		
97-19-1	C448-2	Terminal Block Assembly (includes C448-5 block, and items 2, 9, 11, and 12)	X	1
	C448-5	Block (Ref)		
2	A448-10	Bus Bar	X	1
3	MS35206-228	Screw	X	2
4	NAS1149FN616P	Washer	X	2
5	MS21042L06	Nut	X	2
6	MS21042L08	Nut	X	4
7	NAS1149FN816P	Washer	X	4
8	B260-3	Terminal	X	A/R
9	B301-8	Nut	X	4
10	-1331, -2438	Wire (Ref)		
11	B567-43	Screw (install using item 12 under head)	X	4
12	B270-9	Adhesive	X	A/R
13	85601-00	Tone Generator (ATG-410)	X	1
14	B162-2	Clipnut	X	4
15	MS27039C0805	Screw	X	4
16	B269-8	Receptacle	X	1
17	B269-22	Backshell	X	1
18	—	Nut	X	1
19	—	Lockwasher	X	1
20	B297-2	Circuit Breaker (2 amp; includes items 18, 19, 21, and 22)	X	1
21	—	Washer	X	1
22	—	Screw	X	2
23	B260-2	Terminal	X	2
24	-1558, -2727	Wire (Ref)		
25	NAS557-14A	Grommet	X	1
26	M85049/38-13N	Backshell	X	1
27	D38999/26FC35SN	Plug (TSV06RF-13-35S)	X	1
28	RA-4500	Radar Altimeter	X	1
29	5225554-6	Plug (90° TNC)	X	2
30	—	Antenna Cable (Ref)	O	2
31	B162-3	Clipnut	X	4
32	MS27039C0807	Screw	X	4
33	NAS1149DN832H	Washer	X	1
34	-2728	Wire (Ref, ground for item 28)		

NOTES * See Figure 6-39 for Radar Altimeter Antenna installation.

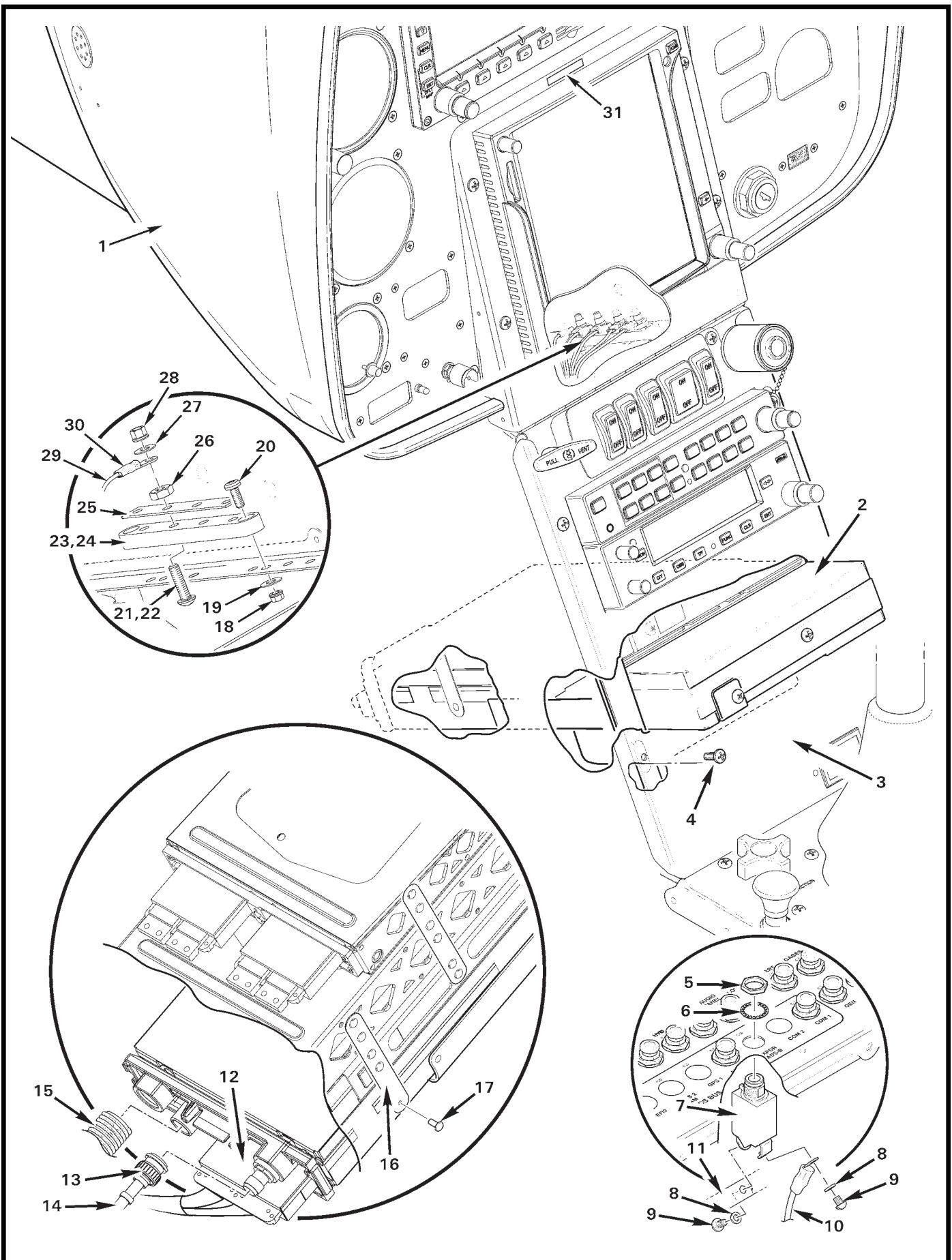


FIGURE AND INDEX NUMBER	PART NUMBER	DESCRIPTION	PARTS AVAIL	QTY PER ASSY
GARMIN GTX 33 TRANSPONDER INSTALLATION				
97-21-1	G060	Console Assembly (Ref)		
2	GTX 33*	Transponder (Incl item 12)	X	1
3	F640	Face Assembly (Ref)		
4	MS27039C0807	Screw	X	5
5	—	Nut	O	2
6	—	Lockwasher	O	2
7	B297-5	Circuit Breaker (5 amp; includes 5, 6, 8 and 9)	X	1
8	—	Washer	O	1
9	—	Screw	O	2
10	-263	Wire (Ref; power to transponder)		
11	A448	Bus Bar (Ref)		
12	011-00582-00	Installation Kit	O	1
13	225973	90° BNC (Ref)		
14	F850-452	Antenna Cable (Ref)		
15	5399K17	Hose (Ref)		
16	A684-1	Strap	X	2
17	NAS1097AD3	Rivet	X	8
18	MS21042L06	Nut	X	2
19	NAS620-6	Washer	X	2
20	MS35206-228	Screw	X	2
21	B567-43	Screw (install using item 22 under head)	X	4
22	B270-9	Adhesive	X	A/R
23	C448-2	Block Assembly (Incl items 21, 22, and 24 thru 26)	X	1
24	C448-5	Block (Ref)		
25	A448-10	Bus Bar	X	1
26	B301-8	Nut	X	4
27	NAS1149FN816P	Washer	X	4
28	MS21042L08	Nut	X	4
29	-260	Wire (Ref)		
30	B260-3	Terminal	X	A/R
31	F654-37	Decal – “ADS-B OUT INSTALLED” (installed below GTN unit)	X	1

NOTES * Garmin part no.

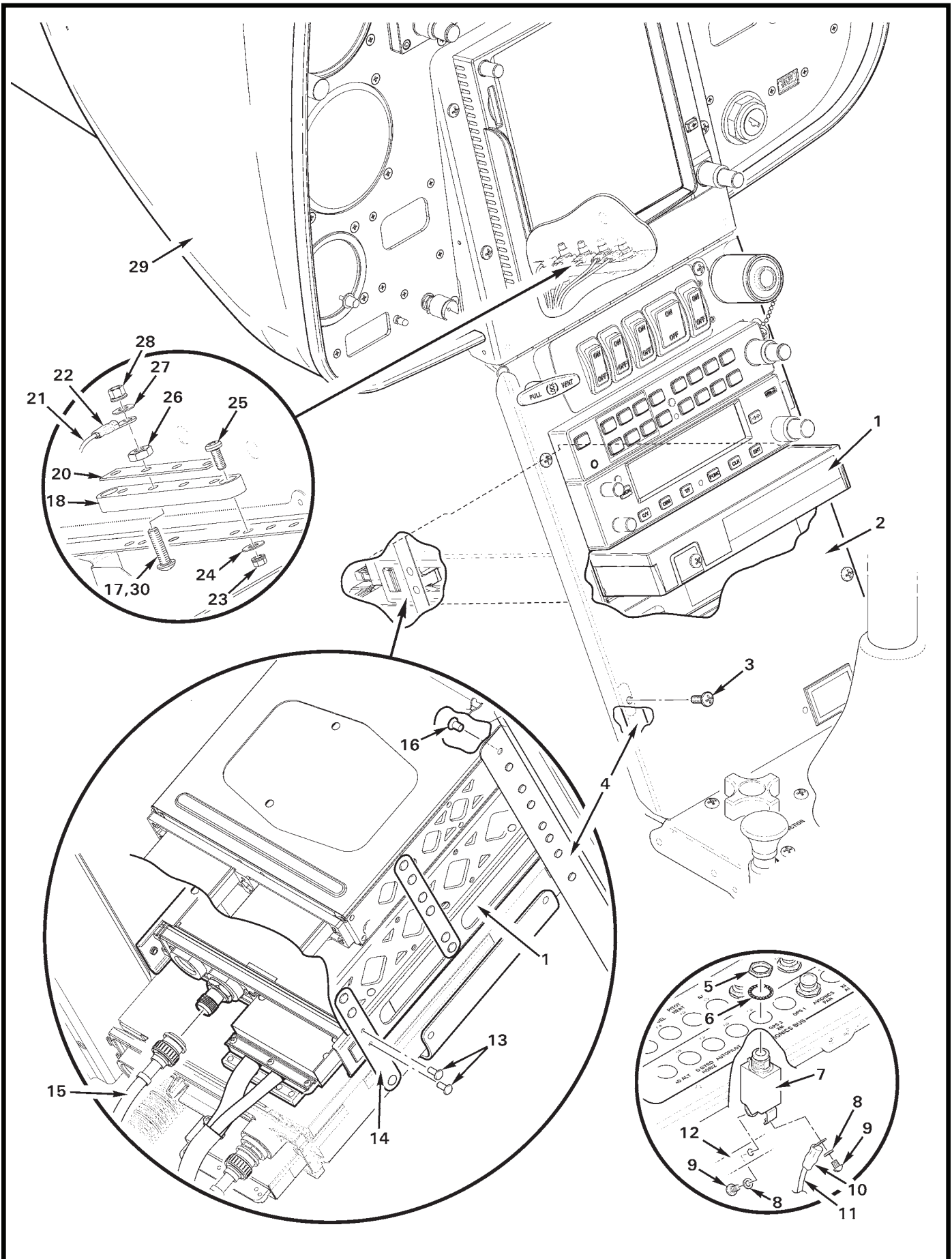


FIGURE AND INDEX NUMBER	PART NUMBER	DESCRIPTION	PARTS AVAIL	QTY PER ASSY
GARMIN GDL 69A XM RECEIVER INSTALLATION				
97-23-1	GDL 69A	XM Radio Receiver	X	1
2	F640	Face Assembly (Ref)		
3	MS27039C0807	Screw	X	5
4	C905	Angles (Ref)		
5	—	Nut	O	1
6	—	Lockwasher	O	1
7	B297-5	Circuit Breaker (5 amp; includes items 5, 6, 8, and 9)	X	1
8	—	Washer	O	1
9	—	Screw	O	1
10	B260-2	Terminal	X	1
11	-2586	Wire (Ref, XM Receiver)		
12	A448	Bus Bar (Ref)		
13	NAS1097AD3	Rivet	X	A/R
14	A648-1	Strap	X	2
15	F850	Antenna Cable (Ref)		
16	MS20426AD4	Rivet	X	4
17	B567-43	Screw (install using item 30 under head)	X	4
18	C448-2	Block Assembly	X	1
19	C448-5	Block (Ref)		
20	A448-10	Bus Bar	X	1
21	-2694	Wire (Ref, XM Receiver ground)		
22	B260-3	Terminal	X	A/R
23	MS21042L06	Nut	X	2
24	NAS620-6	Washer	X	2
25	MS35206-228	Screw	X	2
26	B301-8	Nut	X	4
27	NAS1149FN816P	Washer	X	4
28	MS21042L08	Nut	X	4
29	G060	Console Assembly (Ref)		
30	B270-9	Adhesive	X	A/R

NOTES

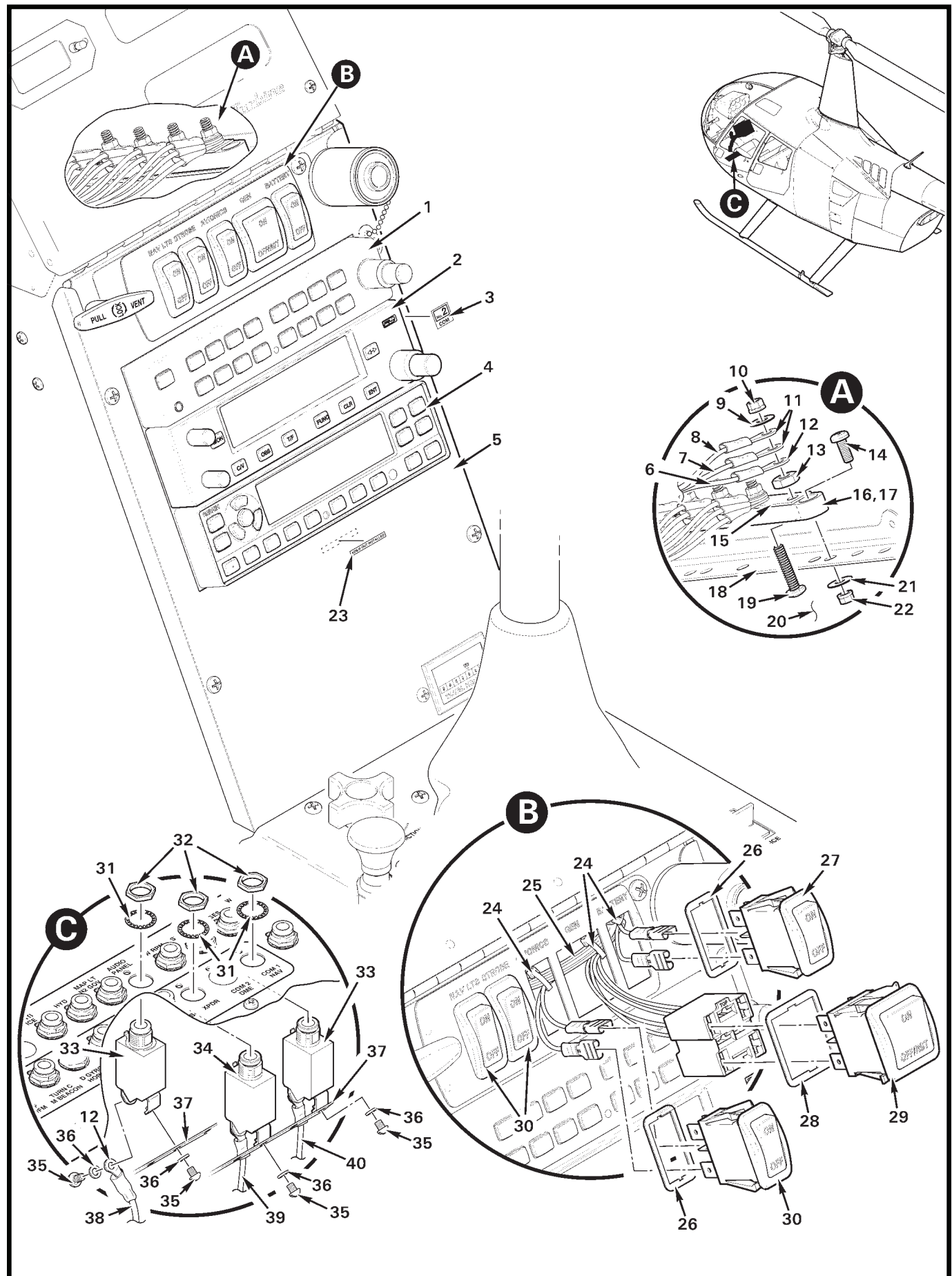


FIGURE AND INDEX NUMBER	PART NUMBER	DESCRIPTION	PARTS AVAIL	QTY PER ASSY
AVIONICS PANEL SWITCHES AND GARMIN GTR 225B COM RADIO INSTALLATION				
97-25-1	GMA 350Hc	Audio Control	X	1
2	GTR 225B*	Transceiver (VHF COM)	X	1
3	F654-38	Decal – “No. 1 COM, No. 2 COM, or No. 3 COM”	X	A/R
4	GTX 325	Transponder (Mode C; see also Figure 97-29, and 97-57) . . .	X	1
	GTX 335	Transponder (Mode S and ASD-B Out; see also Figure 97-29, and 97-57)	X	1
	GTX 345	Transponder (Mode S and ASD-B In/Out; see also Figure 97-29, and 97-57)	X	1
5	G255	Panel – Avionics (Ref)		
6	F859-643	Wire (Ref; ground)		
7	C802-201	Wire (Ref; ground)		
8	-260	Wire (Ref; ground)		
9	NAS1149FN816P	Washer	X	4
10	MS21042L08	Nut	X	4
11	B260-3	Terminal	X	2
12	B260-9	Terminal	X	1
13	B301-8	Nut	X	1
14	MS35206-228	Screw	X	2
15	A448-10	Bus Bar (3 holes)	X	1
16	C448-5	Block	X	1
17	C448-2	Block Assembly (includes items 13, 15, 16, & 19)	X	1
18	F365-1	Angle (Ref)		
19	B567-43	Screw	X	4
20	F359-2	Panel (Ref)		
21	NAS1149FN616P	Washer	X	1
22	MS21042L06	Nut	X	1
23	F654-37	Decal – “ADS-B OUT INSTALLED” (Incl with GTX 335 or GTX 345)	X	1
24	MS3367-4-9	Ty-rap (Ref)		
25	D049-7	Harness Assembly (Ref)		
26	G184-5	Gasket	X	4
27	G184-2	Switch – Battery	X	1
28	G184-6	Gasket	X	1
29	G184-3	Switch	X	1
30	G184-1	Switch	X	3
31	—	Lockwasher	O	1

NOTES * Garmin part no.

FIGURE AND INDEX NUMBER	PART NUMBER	DESCRIPTION	PARTS AVAIL	QTY PER ASSY
GARMIN GTR 225B COM RADIO INSTALLATION				
97-25-32	—	Nut	O	1
33	B297-5	Circuit Breaker (5 amp, includes items 31, 32, 35 and 36) . . .	X	2
34	B297-3	Circuit Breaker (3 amp, includes items 31, 32, 35, & 36)	X	1
35	—	Screw	O	1
36	—	Washer	O	1
37	A448	Bus Bar (Ref)		
38	F859-644	Wire – Audio (Ref)		
39	F859-263	Wire – Transponder (Ref)		
40	F859-200	Wire – COM 1 (Ref)		

NOTES * Garmin part no.

Intentionally Blank

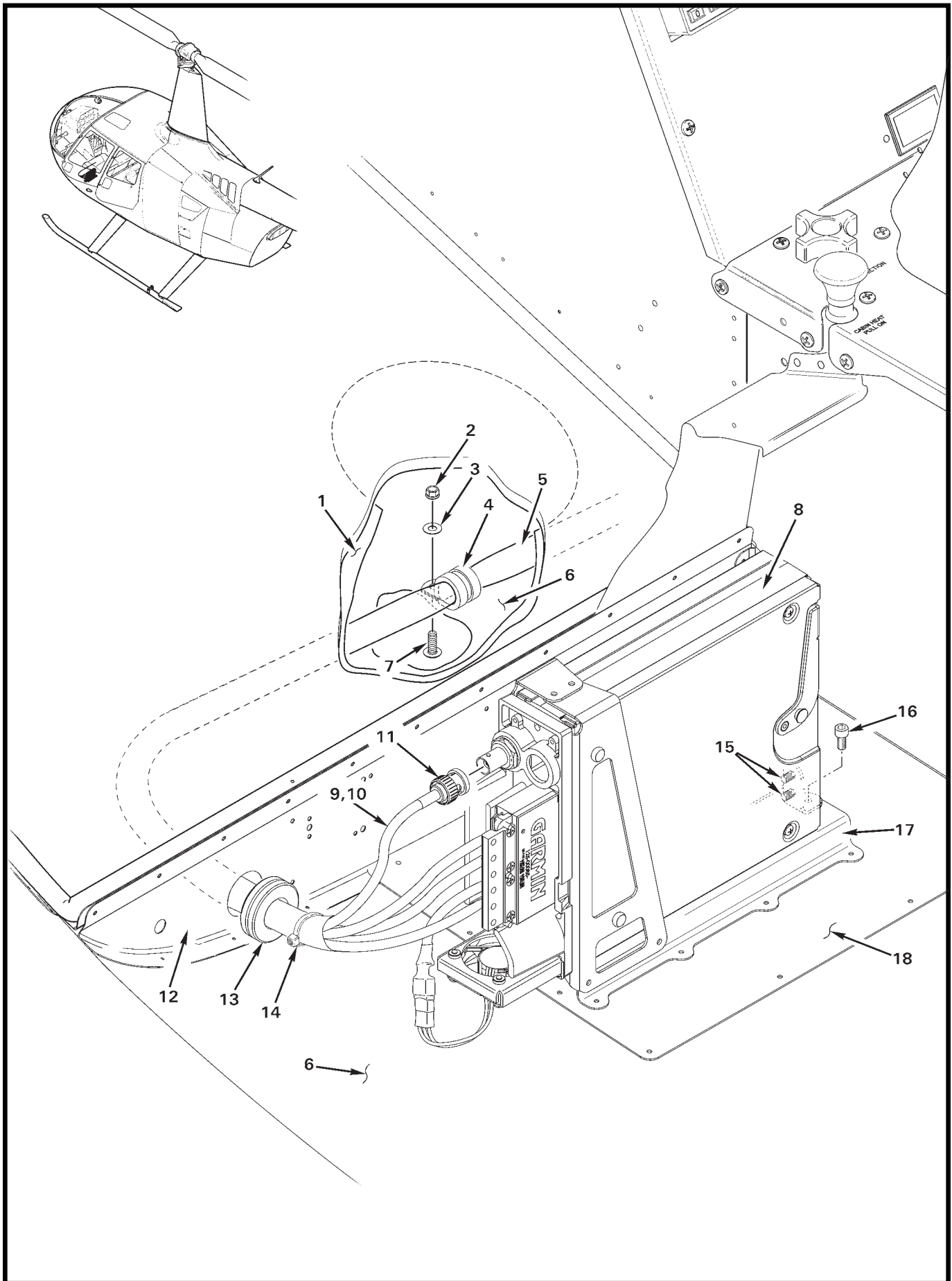


FIGURE AND INDEX NUMBER	PART NUMBER	DESCRIPTION	PARTS AVAIL	QTY PER ASSY
GARMIN GDL 88 RECEIVER (ADS-B) INSTALLATION				
97-29-1	F232-1	Panel (Ref, shown with carpet)		
2	MS21042L08	Nut	X	1
3	NAS1149FN816P	Washer	X	1
4	MS21919WDG8	Clamp	X	1
5	B161-8	Spirap	X	A/R
6	F272-1	Chin (Ref)		
7	AN526C832R8	Screw	X	1
8	GDL 88*	Receiver (ADS-B)	X	1
9	F850-452	Cable (Ref)		
10	B161-4	Spirap	X	A/R
11	225395-6	Plug (BNC)	X	2
12	G230-1	Bulkhead (Ref)		
13	MS35489-19	Grommet	X	1
14	MS3367-4-9	Ty-rap (or MS3367-5-9)	X	1
15	—	Screw (supplied with item 8)	O	2
16	NAS1352-08-6P	Screw	X	1
17	C904-1	Mount Assembly (Ref)		
18	G130-1	Doubler (Ref)		

NOTES * Garmin part no.

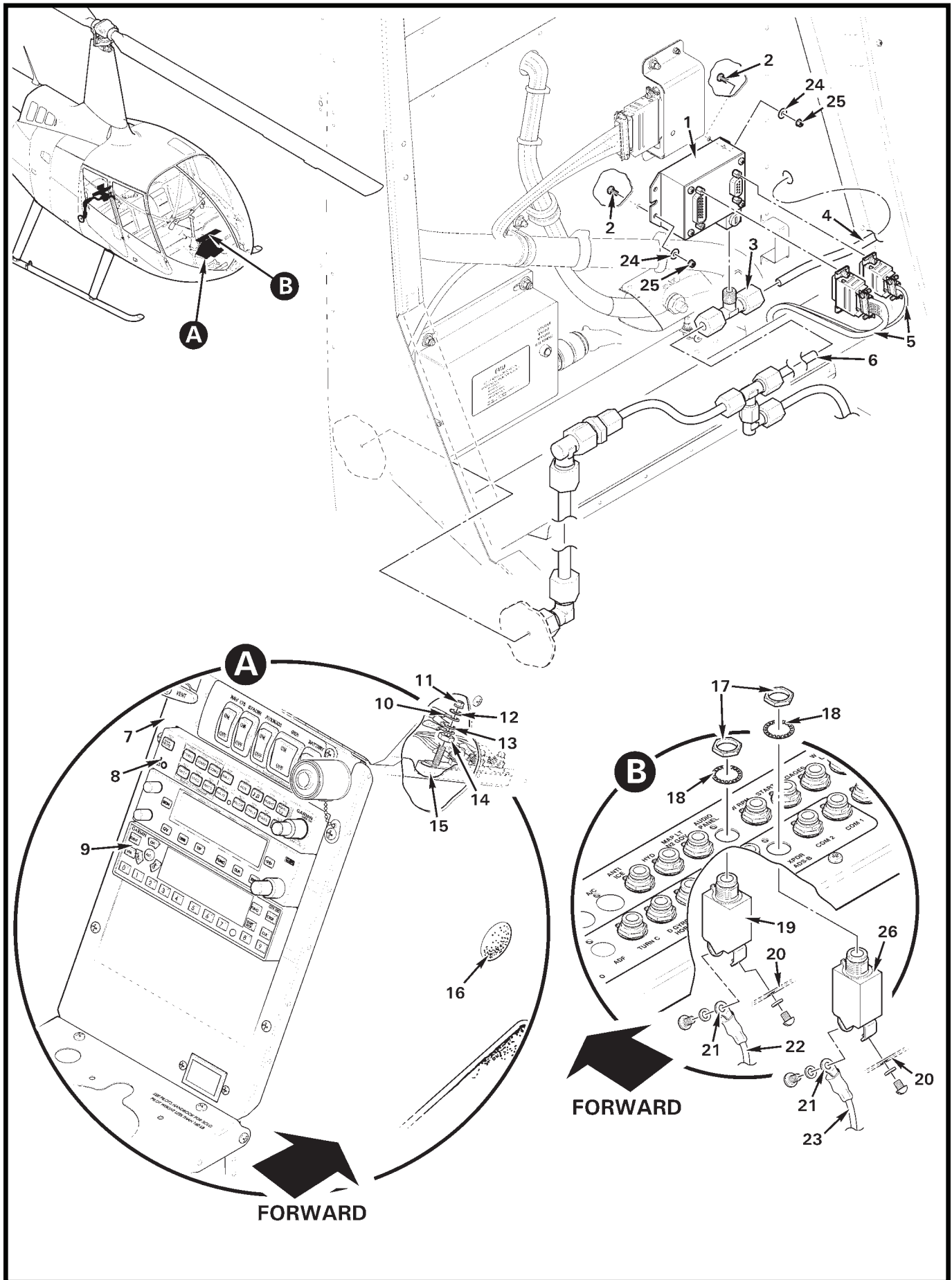


FIGURE AND INDEX NUMBER	PART NUMBER	DESCRIPTION	PARTS AVAIL	QTY PER ASSY
		GARMIN GTX 3XX TRANSPONDER AND BLIND ENCODER INSTALLATION		
97-31-1	B240-3	Blind Encoder	X	1
2	MS35206-227	Screw	X	2
3	70-4-N-0	Tee	X	1
4	A729-24	Tube (Ref)		
5	F859-01	Wire Harness (Ref, 8-hole console)		
	F059-01	Wire Harness (Ref, 7-, and 9-hole console; earlier ships)		
6	A729-53	Tube (Ref)		
7	F640	Panel – Avionics (Ref)		
8	GMA350HC*	Audio Control	X	1
9	GTX 325*	Transponder (Mode C)	X	1
	GTX 335*	Transponder (Mode S and ADS-B Out)	X	1
	GTX 345*	Transponder (Mode S and ADS-B In/Out)	X	1
	GTX 330*	Transponder (earlier ships; Mode S w/ADS-B Out & TIS-A)	O	1
10	-260	Wire (Ref; transponder ground)		
11	MS21042L08	Nut	X	A/R
12	NAS1149FN816P	Washer	X	A/R
13	F859-643	Wire (Ref; audio control ground)		
14	B301-8	Nut (Ref)		
15	C448-2	Block Assembly	X	1
16	SI413	Hole Plug	X	2
17	—	Nut	O	2
18	—	Lockwasher	O	2
19	B297-5	Circuit Breaker (5 amp; includes items 17 and 18)	X	2
20	A448	Bus Bar (Ref; -1, -4, -9, -10, -14, -22 as required)		
21	B260-2	Terminal (Ref)		
22	F859-644	Wire (Ref; audio panel power)		
23	F859-263	Wire (Ref; transponder power)		
24	NAS1149FN616P	Washer	X	2
25	MS21042L06	Nut	X	2
26	B297-3	Circuit Breaker (3 amp; includes items 17 and 18)	X	2

NOTES * Garmin part no.

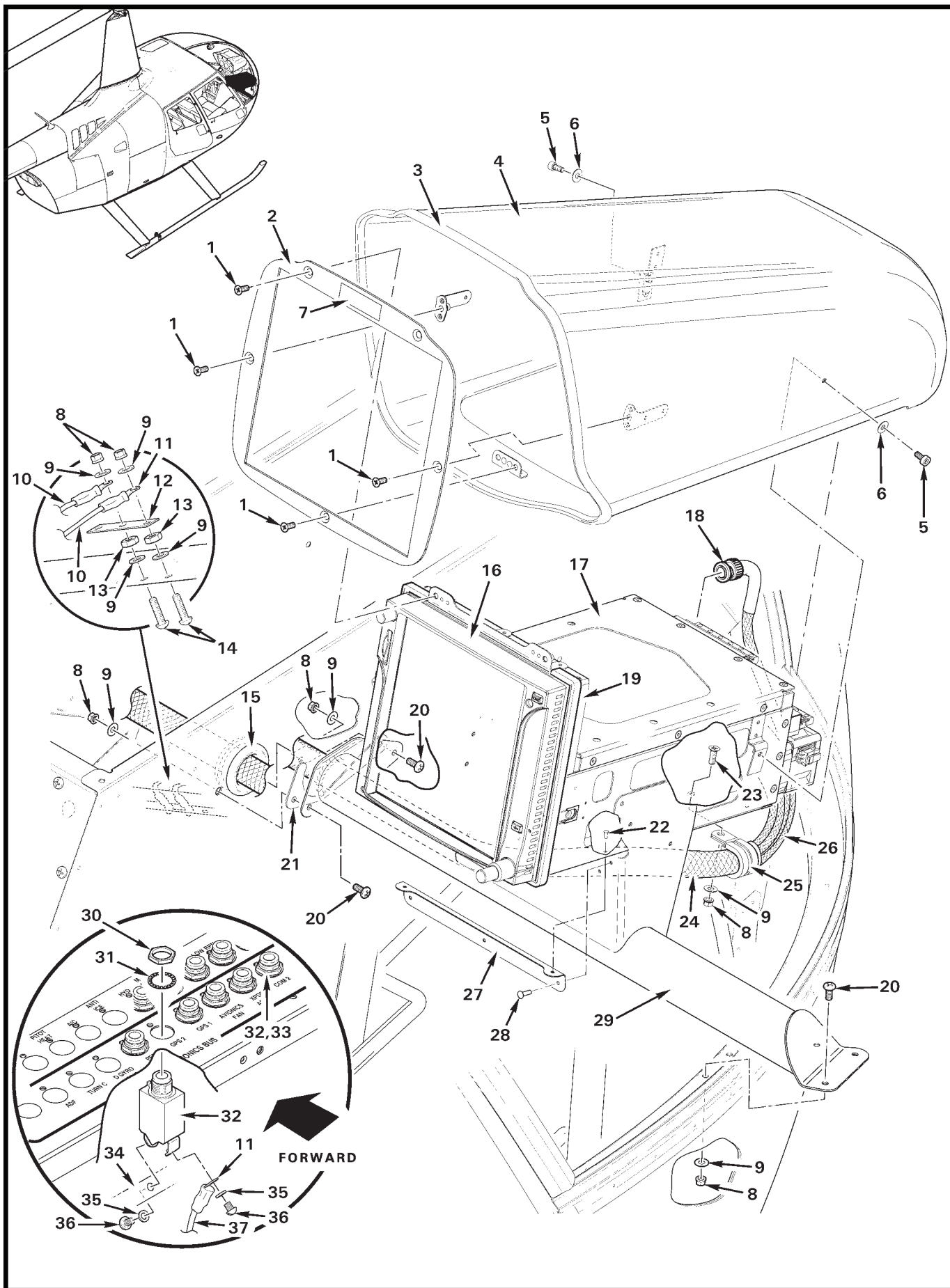


FIGURE AND INDEX NUMBER	PART NUMBER	DESCRIPTION	PARTS AVAIL	QTY PER ASSY
		PILOT'S SIDE CONSOLE – GARMIN GTN 700-SERIES GPS		
97-33-1	MS24694-S4	Screw	X	4
2	G704-6	Faceplate	X	1
3	A226-11	Trim (install with retaining rib on inside)	X	A/R
4	G704-2	Shell Assembly (Incl item 3)	O	1
5	92196A145	Screw	X	2
6	NAS1149FN616P	Washer	X	2
7	F654-40	Decal – “No. 1, No. 2, No. 3, GPS/NAV/COM”	X	A/R
8	MS21042L08	Nut	X	7
9	NAS1149FN816P	Washer	X	9
10	C831-201/-704	Wire – Ground (Ref; -201 [COM 1], -704 [COM 2])		
	C831-465/-1427	Wire – Ground (Ref; -465 [GPS 1], -1427 [GPS 2])		
11	B260-3	Terminal	X	A/R
12	A448-15	Bus Bar (3 holes)	X	1
13	B301-8	Nut	X	2
14	B567-43	Screw	X	2
15	NAS557-18A	Grommet	X	1
16	GTN 750*	Transceiver (GPS/NAV/COM)	X	1
	GTN 725*	Transceiver (GPS, not shown)	X	1
17	—	Rack (Ref)		
18	225395-6	Plug (antenna cable)	X	1
19	A226-7	Seal	X	A/R
20	MS27039C0806	Screw	X	4
21	D703-11	Shim	X	A/R
22	MS20426AD3	Rivet	X	2
23	MS24694-S4	Screw	X	1
24	B266-8	Sleeving	X	A/R
25	MS21919WDG16	Clamp	X	1
26	B266-4	Sleeving	X	A/R
27	G704-10	Support	X	1
28	MS20470AD3	Rivet	X	2
29	G703-4	Support Weldment	X	1
30	—	Nut	O	1
31	—	Lockwasher	O	1
32	B297-5	Circuit Breaker (5 amp, includes items 30, 31, 35, and 36) . .	X	A/R
33	F859-200 or -703	Wire (Ref; -200 [COM 1], -703 [COM 2])		

NOTES * Garmin part no.

Continues

FIGURE AND INDEX NUMBER	PART NUMBER	DESCRIPTION	PARTS AVAIL	QTY PER ASSY
		PILOT'S SIDE CONSOLE – GARMIN GTN 700-SERIES GPS (Cont'd)		
97-33-34	A448	Bus Bar (Ref)		
35	—	Washer	0	1
36	—	Screw	0	2
37	F859-466 or -1426	Wire (Ref; -466 [GPS 1], -1426 [GPS 2])		

NOTES

Intentionally Blank

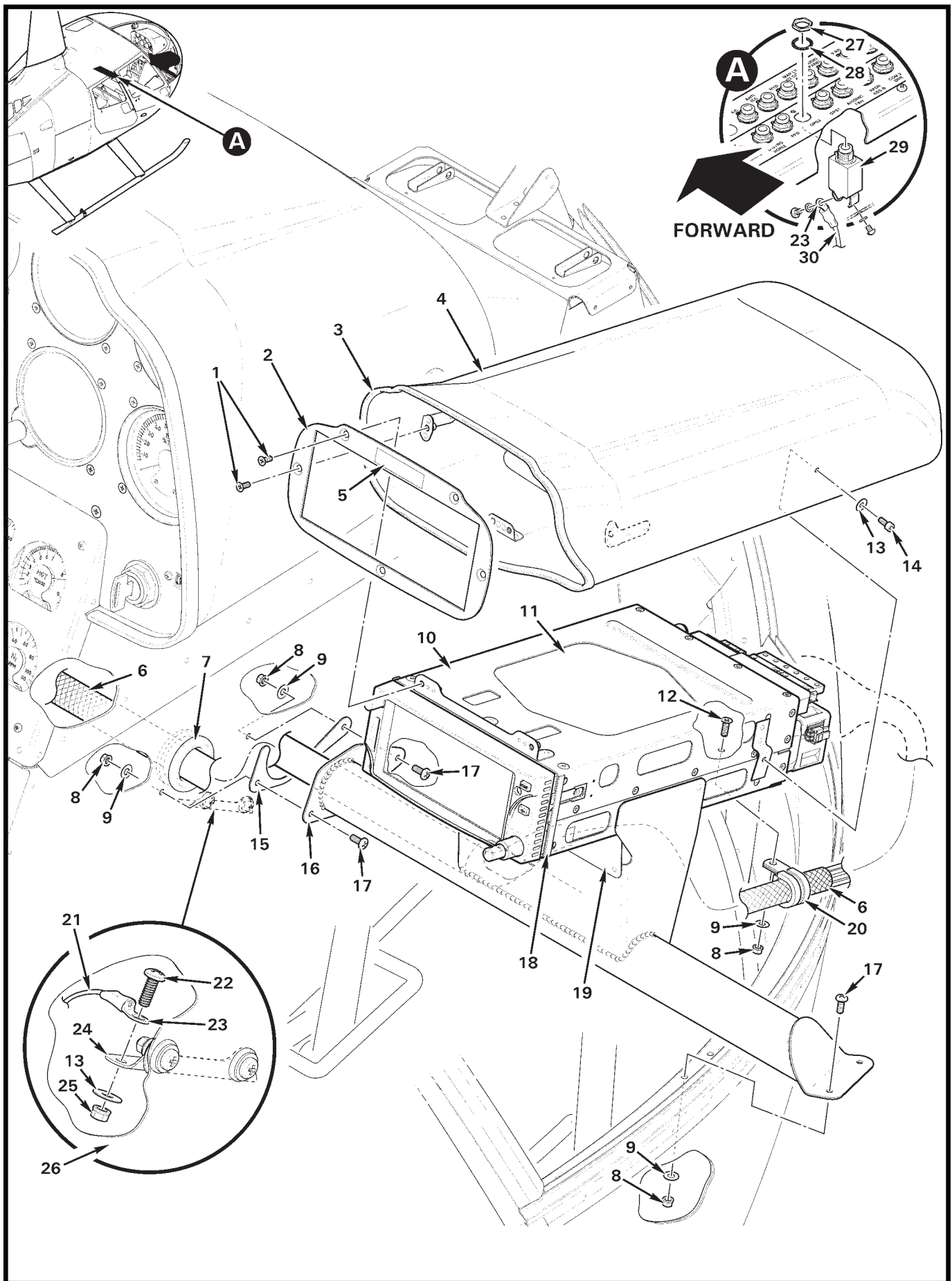


FIGURE AND INDEX NUMBER	PART NUMBER	DESCRIPTION	PARTS AVAIL	QTY PER ASSY
		PILOT'S SIDE CONSOLE – GARMIN GTN 600-SERIES GPS (SINGLE)		
97-37-1	MS24693-S4	Screw	X	5
2	G704-5	Faceplate	X	1
3	A226-11	Trim (install with retaining rib on inside)	X	A/R
4	G704-1	Shell Assembly (Incl item 3)	O	1
5	F654-40	Decal (trim as required)	X	1
6	B266-8	Sleeving	X	A/R
7	NAS557-18B	Grommet	X	1
8	MS21042L08	Nut	X	5
9	NAS1149FN816P	Washer	X	5
10	—	Radio Rack Assembly (Ref, supplied with receiver or transceiver)		
11	GTN 650*	Transceiver (GPS/COM/NAV)	X	1
	GTN 635*	Transceiver (GPS/COM, not shown)	X	1
	GTN 625*	Transceiver (GPS, not shown)	X	1
12	MS24694-S4	Screw	X	1
13	NAS1149FN616P	Washer	X	4
14	92196A145	Screw	X	2
15	D703-11	Shim (3 maximum)	X	A/R
16	G703-4	Support Weldment	X	1
17	MS27039C0806	Screw	X	4
18	A226-7	Seal	X	A/R
19	G704-9	Support	X	1
20	MS21919WDG16	Clamp	X	1
21	-1427	Wire (Ref)		
22	94070A146	Screw	X	1
23	B260-3	Terminal (Ref)		
24	A448-19	Bus Bar (Ref)		
25	MS21042L06	Nut	X	1
26	F359-2	Panel – Console (Ref)		
27	—	Nut	X	1
28	—	Lockwasher	X	1
29	B297-5	Circuit Breaker (5 amp; includes items 27 and 28)	X	1
30	-1426	Wire (Ref)		

NOTES * Garmin part no.

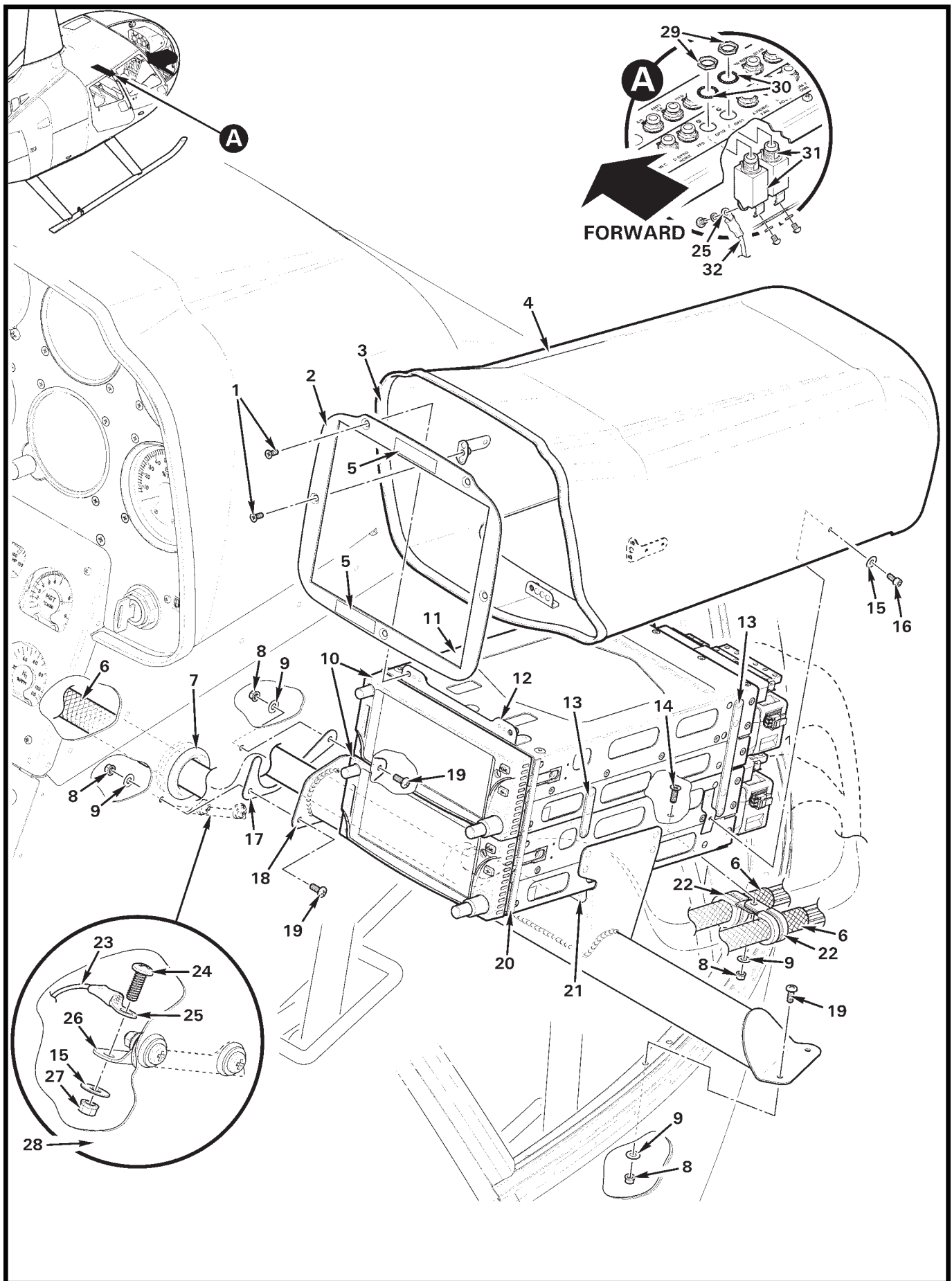


FIGURE AND INDEX NUMBER	PART NUMBER	DESCRIPTION	PARTS AVAIL	QTY PER ASSY
		PILOT'S SIDE CONSOLE – GARMIN GTN 600-SERIES GPS (DUAL)		
97-39-1	MS24694-S4	Screw	X	5
2	G704-13	Faceplate	X	1
3	A226-11	Trim (install with retaining rib on inside)	X	A/R
4	G704-11	Shell Assembly (Incl item 3)	O	1
5	F654-40	Decal (trim as required)	X	2
6	B266-8	Sleeving	X	A/R
7	NAS557-18B	Grommet	X	1
8	MS21042L08	Nut	X	5
9	NAS1149FN816P	Washer	X	4
10	GTN 625*	GPS Transceiver	X	A/R
	GTN 635*	GPS Transceiver	X	A/R
	GTN 650*	GPS Transceiver	X	A/R
11	—	Radio Rack Assembly (supplied with receiver or transceiver) . . .	O	2
12	G704-7	Angle Assembly (Ref)		
13	A684-1	Strap (Ref)		
14	MS24694-S5	Screw	X	1
15	NAS1149FN616P	Washer	X	3
16	92196A145	Screw	X	2
17	D703-11	Shim (3 maximum)	X	A/R
18	G703-4	Support Weldment	X	1
19	MS27039C0806	Screw	X	4
20	A226-7	Seal	X	A/R
21	G704-10	Support	X	1
22	MS21919WDG16	Clamp	X	2
23	-465	Wire (Ref; GPS 1)		
	-1427	Wire (Ref; GPS 2)		
24	94070A146	Screw	X	1
25	B260-3	Terminal (Ref)		
26	A448-19	Bus Bar (Ref)		
27	MS21042L06	Nut	X	1
28	F359-2	Panel – Console (Ref)		
29	—	Nut	O	2
30	—	Lockwasher	O	2
31	B297-5	Circuit Breaker (5 amp; includes items 29 and 30)	X	2
32	-466	Wire (Ref; GPS 1)		
	-1426	Wire (Ref; GPS 2)		

NOTES * Garmin part no.

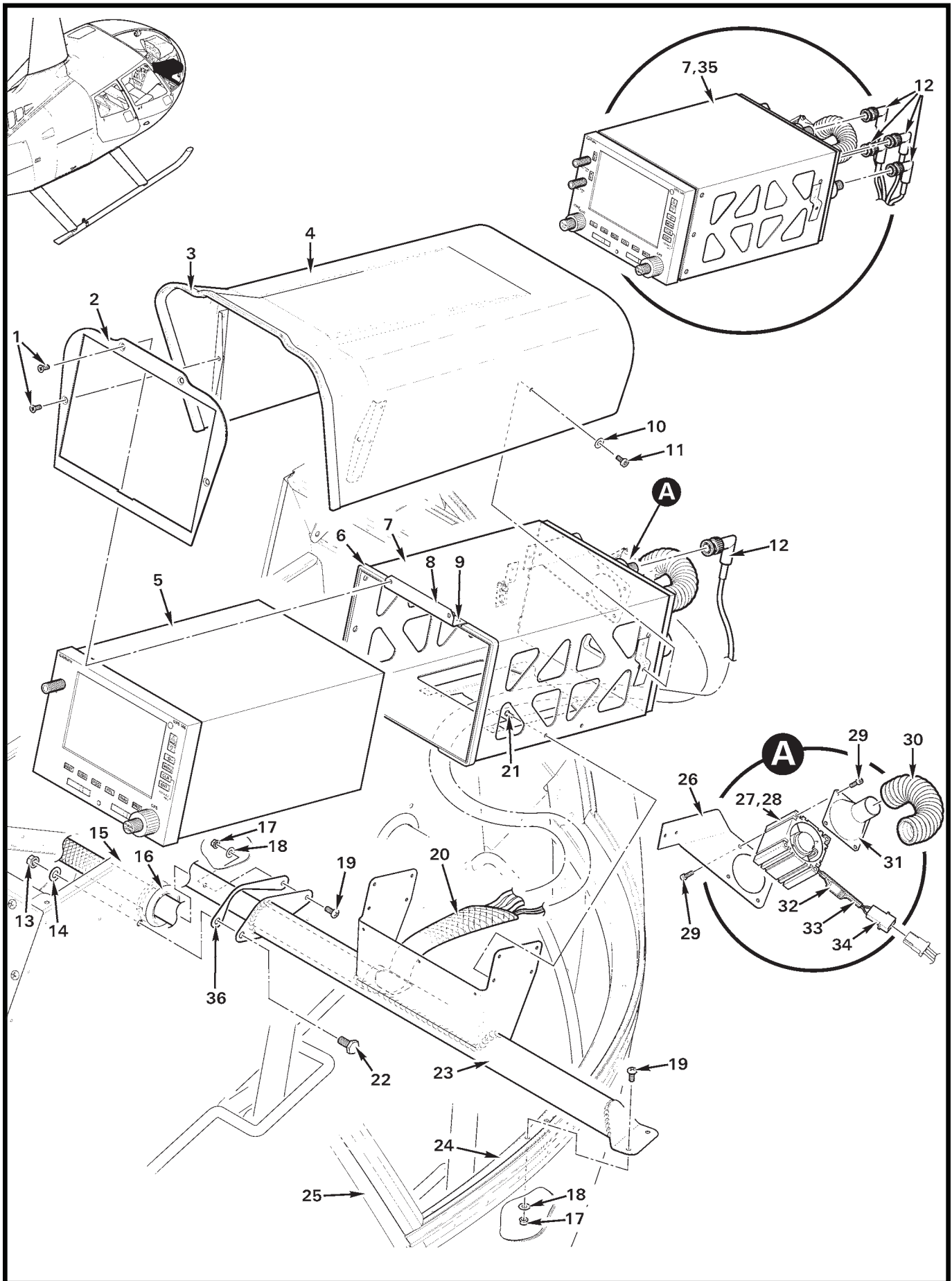


FIGURE AND INDEX NUMBER	PART NUMBER	DESCRIPTION	PARTS AVAIL	QTY PER ASSY
		PILOT'S SIDE CONSOLE – GARMIN 500-SERIES GPS*		
97-41-1	MS24693-S26	Screw	X	4
2	D704-1	Faceplate	X	1
3	A226-11	Trim (install with retaining rib on inside)	X	A/R
4	D184-1	Shell Assembly (Incl item 3)	O	1
5	GPS 500W**	GPS Receiver (Ref)		
6	A226-7	Seal	X	A/R
7	—	Radio Rack Assembly (Ref, supplied with receiver or transceiver)		
8	D704-9	Angle Assembly	X	1
9	MS20426AD3	Rivet	X	3
10	NAS1149FN616P	Washer	X	2
11	92196A145	Screw	X	2
12	225973-4	Plug (90° BNC; one plug for GPS wiring, additional plugs for Com and Nav wiring)	X	A/R
13	MS21042L4	Nut	X	1
14	NAS1149F0432P	Washer	X	1
15	F359-2	Panel – Console (Ref)		
16	NAS557-14B	Grommet	X	1
17	MS21042L08	Nut	X	3
18	NAS1149FN816P	Washer	X	3
19	MS27039C0806	Screw	X	3
20	B266-8	Sleeving	X	A/R
21	NAS1097AD4	Rivet	X	4
22	NAS6604-2	Bolt (longer dash no. bolt may be used when item 36 is used)	X	1
23	G703-1	Support Weldment Assembly	O	1
24	F238-1	Frame Assembly (Ref)		
25	F090-2	Windshield Frame – RH (Chin, Ref)		
26	D704-6	Bracket	X	1
27	D580-2	Fan Assembly (Incl items 28, and 32 thru 34)	X	1
28	D351M-024GK-2	Fan	X	1
29	92196A108	Screw	X	8
30	5399K17	Hose	X	1
31	D704-11	Nozzle	X	1
32	SPH-330	Resistor	X	1
33	B158-404	Heat Shrink	X	A/R

NOTES * Earlier R66s.
 ** Garmin part no.

Continues

FIGURE AND INDEX NUMBER	PART NUMBER	DESCRIPTION	PARTS AVAIL	QTY PER ASSY
		PILOT'S SIDE CONSOLE – GARMIN 500-SERIES GPS (Cont'd)		
97-41-34	B263-12	Housing	X	1
	B263-1	Pin	X	2
35	GNS 530AW*	GPS Transceiver (Ref)		
36	D703-8	Shim	X	A/R

NOTES * Garmin part no.

Intentionally Blank

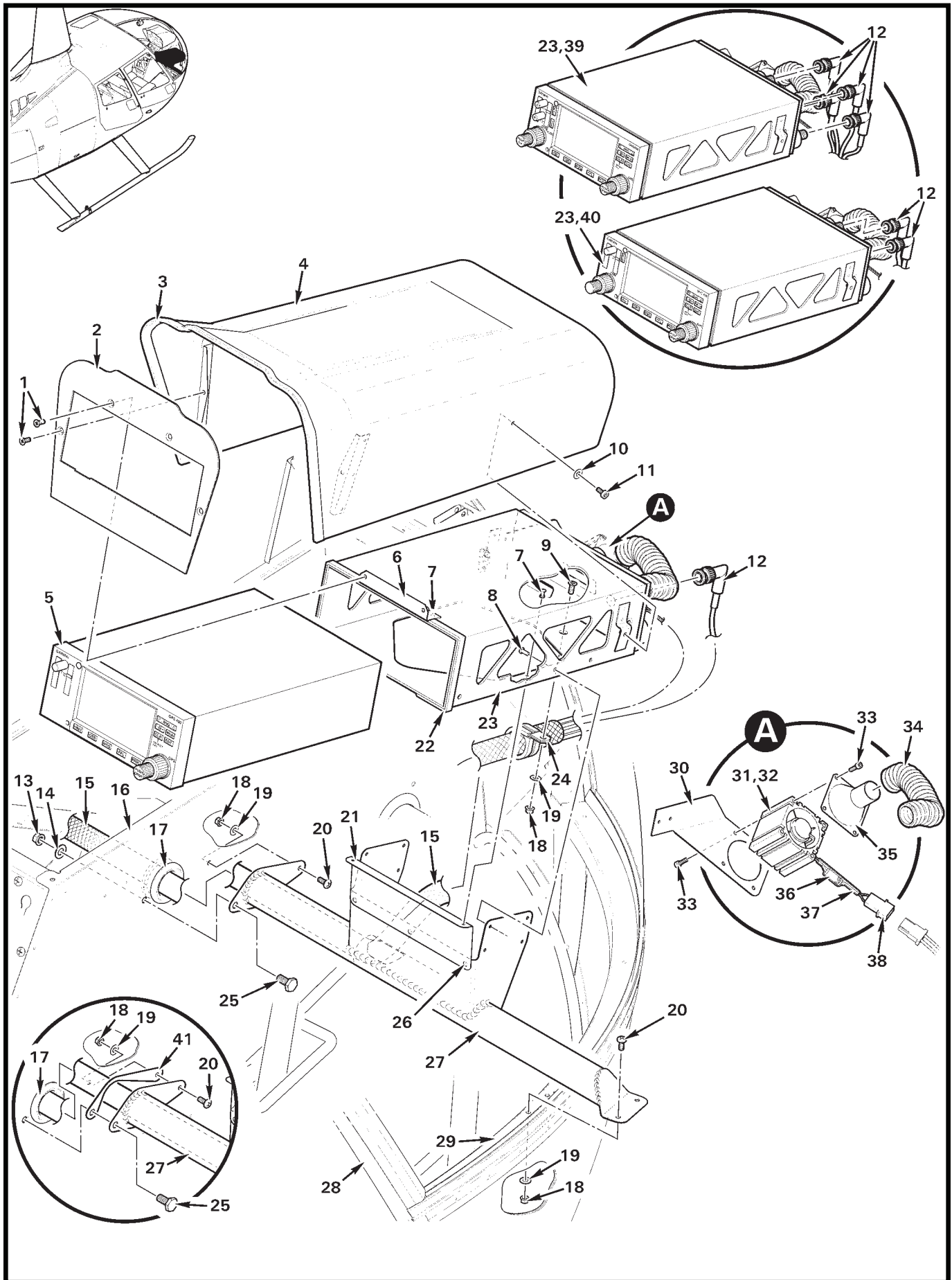


FIGURE AND INDEX NUMBER	PART NUMBER	DESCRIPTION	PARTS AVAIL	QTY PER ASSY
PILOT'S SIDE CONSOLE – GARMIN 400-SERIES GPS				
97-45-1	MS24693-S4	Screw	X	5
2	G704-5	Faceplate	X	1
3	A226-11	Trim (install with retaining rib on inside)	X	A/R
4	G704-1	Shell Assembly (Incl item 3)	O	1
5	GPS 400W*	GPS Receiver (Ref)		
6	G704-7	Angle Assembly	X	1
7	MS20426AD3	Rivet	X	5
8	NAS1097AD4	Rivet	X	4
9	MS24694-S4	Screw	X	1
10	NAS1149FN616P	Washer	X	2
11	92196A145	Screw	X	2
12	225973-4	Plug (90° BNC; one plug for GPS wiring, additional plugs for COM and NAV wiring)	X	A/R
13	MS21042L4	Nut	X	1
14	NAS1149F0432P	Washer	X	1
15	B266-8	Sleeving	X	A/R
16	F359-2	Panel – Console (Ref)		
17	NAS557-18A	Grommet	X	1
18	MS21042L08	Nut	X	5
19	NAS1149FN816P	Washer	X	5
20	MS27039C0806	Screw	X	4
21	G704-9	Support	X	1
22	A226-7	Seal	X	A/R
23	—	Radio Rack Assembly (Ref, supplied with receiver or transceiver)		
24	MS21919WDG14	Clamp	X	1
25	NAS6604-2	Bolt	X	1
26	MS20470AD3	Rivet	X	3
27	G703-4	Support Weldment Assembly (Incl items 21 and 26)	X	1
28	F238-1	Frame Assembly (Ref)		
29	F090-2	Windshield Frame – RH (Chin, Ref)		
30	D704-6	Bracket	X	1
31	D580-2	Fan Assembly (Incl items 32, and 36 thru 38)	X	1
32	D351M-024GK-2	Fan	X	1
33	92196A108	Screw	X	8

NOTES * Garmin part no.

Continues

FIGURE AND INDEX NUMBER	PART NUMBER	DESCRIPTION	PARTS AVAIL	QTY PER ASSY
		PILOT'S SIDE CONSOLE – GARMIN 400-SERIES GPS (Cont'd)		
97-45-34	5399K17	Hose	X	1
35	D704-11	Nozzle	X	1
36	SPH-330	Resistor	X	1
37	B158-404	Heat Shrink	X	A/R
38	B263-12	Housing	X	1
	B263-1	Pin	X	2
39	GNS 430W*	GPS Transceiver (Ref)		
40	GNC 420W*	GPS Transceiver (Ref)		
41	D703-11	Shims	X	A/R

NOTES * Garmin part no.

Intentionally Blank

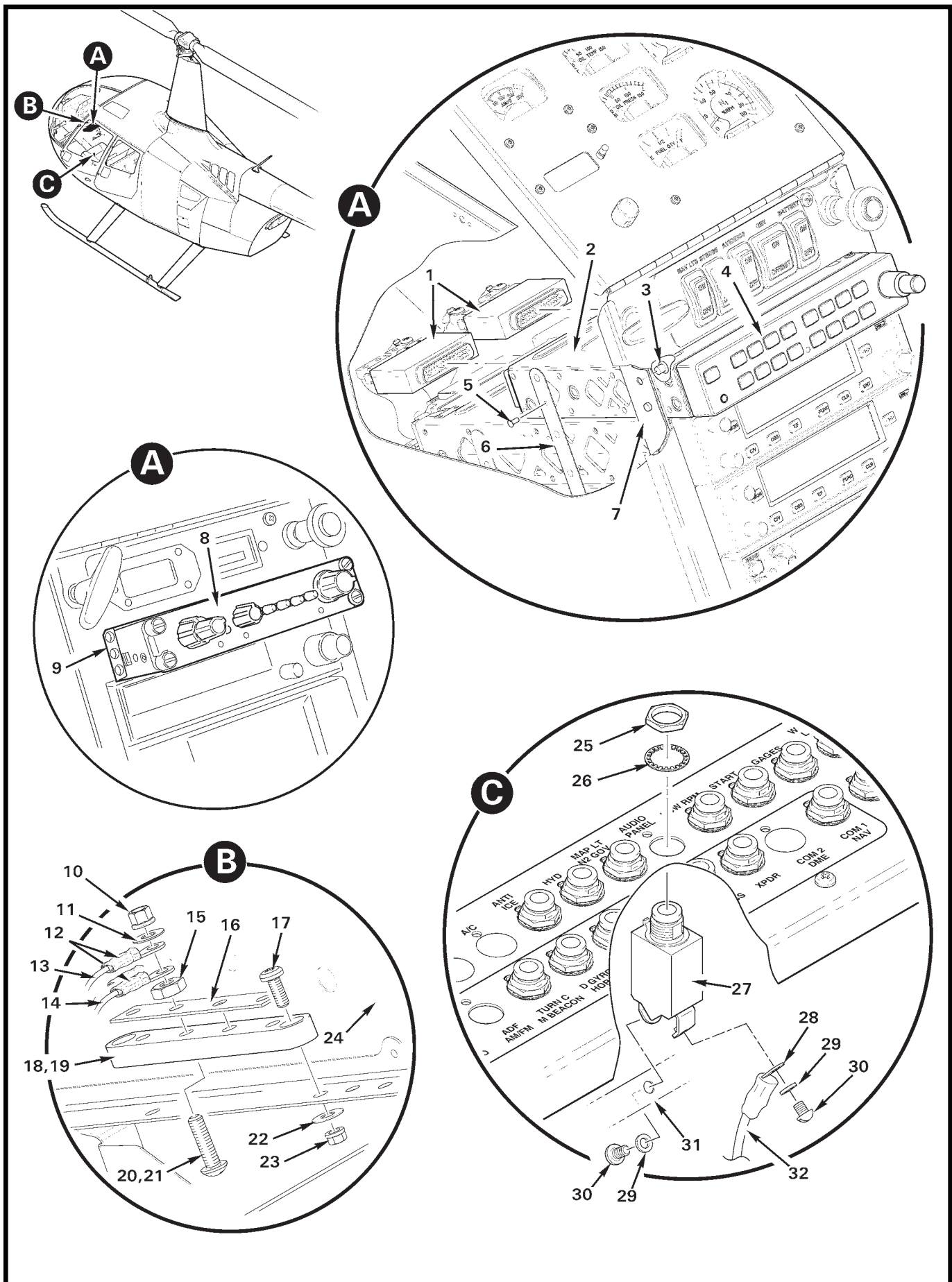


FIGURE AND INDEX NUMBER	PART NUMBER	DESCRIPTION	PARTS AVAIL	QTY PER ASSY
AUDIO CONTROL INSTALLATION				
97-49-1	011-02302-00*	Connector Kit (Ref)		
2	115-0145-2-00*	Install Rack (Ref)		
3	MS20426AD5	Rivet	X	4
4	GMA350HC	Audio Control (Incl items 1 and 2)	X	1
5	NAS1097AD3	Rivet	X	4
6	A684-1	Strap	X	2
7	C905-5	Angle	X	2
8	AA12S-600	Audio Control (earlier R66s)	X	1
9	A917-2	Strip	X	2
10	MS21042L08	Nut	X	2
11	NAS1149FN816P	Washer	X	1
12	B260-3	Terminal	X	2
13	F859-239	Wire (Ref; ground)		
14	F859-643	Wire (Ref; ground, audio control)		
15	B301-8	Nut	X	4
16	A448-10	Bus Bar	X	1
17	MS35206-228	Screw	X	2
18	C448-2	Terminal Block Assembly (Incl items 15, 16, and 19 thru 21) . .	X	1
19	C448-5	Block (Ref)		
20	B567-43	Screw (install using item 21)	X	4
21	B270-9	Adhesive	X	A/R
22	NAS1149FN616P	Washer	X	2
23	MS21042L06	Nut	X	2
24	F033-1	Lower Console Assembly (Ref)		
25	—	Nut	O	1
26	—	Lockwasher	O	1
27	B297-5	Circuit Breaker (5 amp; includes items 25, 26, 29, and 30) . .	X	1
28	B260-2	Terminal	X	1
29	—	Washer	O	1
30	—	Screw	O	1
31	A448-22	Bus Bar (Ref)		
32	F859-644	Wire (Ref; power)		

NOTES * Garmin part no.

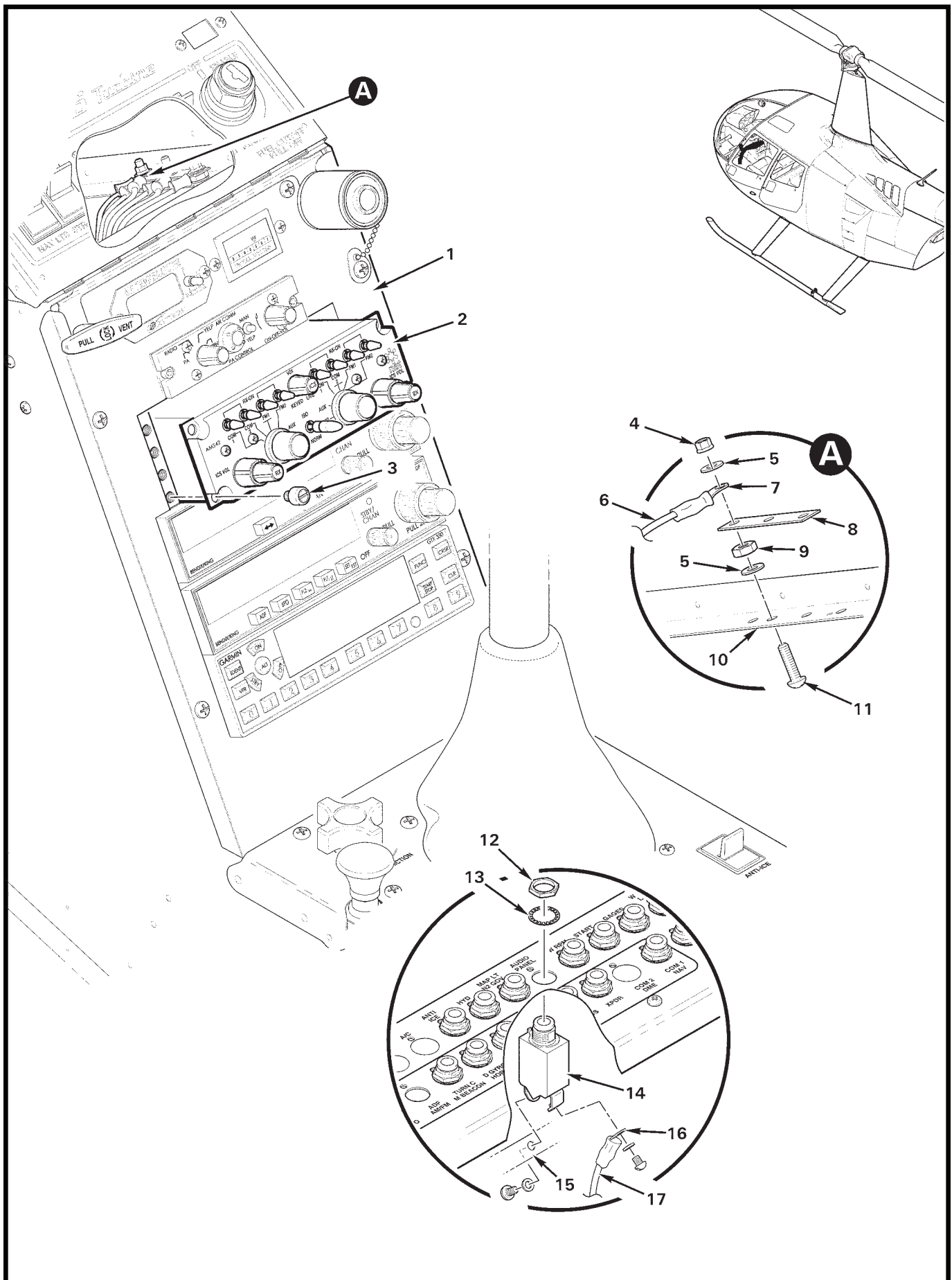


FIGURE AND INDEX NUMBER	PART NUMBER	DESCRIPTION	PARTS AVAIL	QTY PER ASSY
DUAL AUDIO CONTROL INSTALLATION				
97-51-1	G225	Face Assembly (Ref)		
2	AMS42	Dual Audio Control (N. A. T.)	X	1
3	MS24693-S32	Screw	X	3
4	MS21042L08	Nut	X	1
5	NAS1149DN832H	Washer	X	2
6	-951	Wire (Ref)		
7	B260-3	Terminal (Ref)		
8	A448-15	Bus Bar (3-hole)	X	1
9	B301-8	Nut	X	1
10	F365-1	Angle (Ref)		
11	B567-43	Screw	X	1
12	—	Nut	O	1
13	—	Lockwasher	O	1
14	B297-2	Circuit Breaker (2 amp; includes items 12 and 13)	X	1
15	A448-1	Bus Bar (Ref)		
16	B260-2	Terminal (Ref)		
17	-950	Wire (Ref)		

NOTES

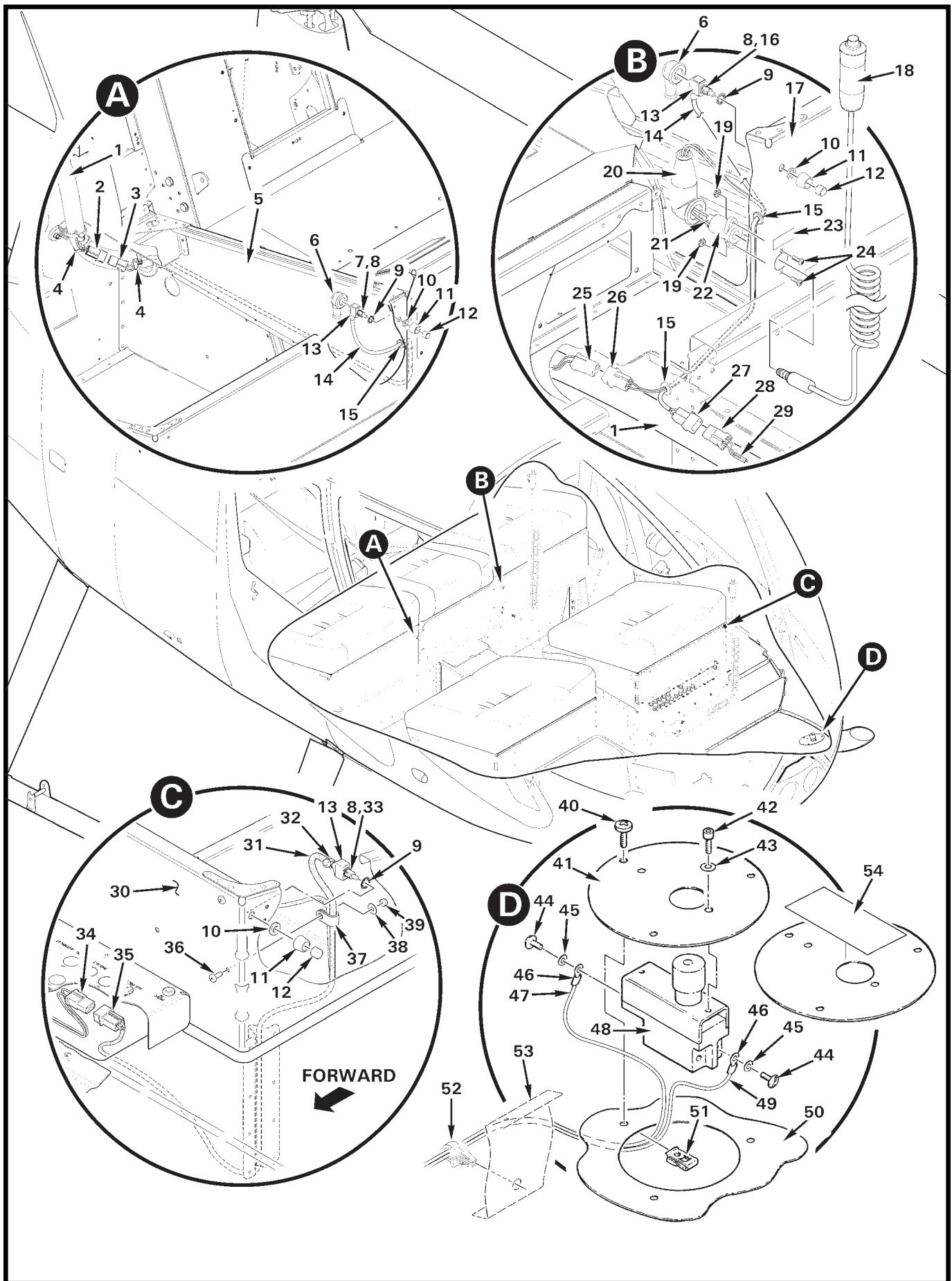


FIGURE AND INDEX NUMBER	PART NUMBER	DESCRIPTION	PARTS AVAIL	QTY PER ASSY
AUDIO AND INTERCOM SWITCHES INSTALLATION				
97-53-1	F859	Harness Assembly (Ref; helicopter main)		
2	B263-13	Housing	X	1
	B263-2	Socket	X	2
	B859-595	Wire (Ref)		
	B859-640	Wire (Ref)		
3	B263-12	Housing	X	1
	B263-1	Pin	X	2
4	MS3367-5-9	Ty-Rap	X	A/R
5	F291-2	Seat Assembly (Ref; RH, aft)		
6	MS25171-1S	Nipple	X	1
7	C049-13	Harness Assembly (Aft outboard COM switch. Includes items 3, 6, 8, 14 and 15.)	X	1
8	B227-8	Switch Assembly (Incl items 9 thru 12)	X	1
9	B227-3	Lockwasher	X	1
10	94773A770	Washer	X	1
11	702501201	Dress Nut	X	1
12	801801000	Cap	X	1
13	B158-8	Heat Shrink (around item 8)	X	A/R
14	B158-2	Heat Shrink (around wires)	X	A/R
15	MS35489-4	Grommet	X	1
16	C049-10	Harness Assembly (LH aft outboard COM switch. Includes items 3, 6, 8, and 13 thru 15)	X	1
17	F291-1	Seat Assembly (Ref; LH, aft)		
18	B121-1	Transmit Switch Assembly (optional)	X	1
19	B330-2	Palnut	X	2
20	MS25171-2S	Nipple	X	1
21	B158-3	Heat Shrink (around jack terminals)	X	A/R
22	TJ-120	Jack	X	1
23	A654-86	Decal – "TRANSMIT"	X	1
24	MS35206-215	Screw	X	2
25	B263-13	Housing	X	1
	B263-2	Socket	X	2
	G458-2638	Wire (Ref)		
	G458-2639	Wire (Ref; ground)		

NOTES

Continued

FIGURE AND INDEX NUMBER	PART NUMBER	DESCRIPTION	PARTS AVAIL	QTY PER ASSY
AUDIO AND INTERCOM SWITCHES INSTALLATION (Cont'd)				
97-53-26	B263-32	Housing	X	1
	B263-1	Pin	X	2
27	B263-12	Housing	X	1
	B263-1	Pin	X	2
28	B263-13	Housing	X	1
	B263-2	Socket	X	2
	F859-594	Wire (Ref)		
	F859-640	Wire (Ref)		
	F859-646	Wire (Ref)		
29	B158-3	Heat Shrink (labeled "REAR-L")	X	A/R
30	F297-2	Seat Assembly (Ref; LH, forward)		
31	B266-4	Sleeving	X	A/R
32	MS3367-4-0	Ty-Rap	X	1
33	C049-18	Harness Assembly (Forward outboard COM switch. Includes items 8, 13, 31, 32, and 35.)	X	1
34	B263-13	Housing	X	1
	B263-2	Socket	X	2
	F859-283	Wire (Ref)		
	F859-284	Wire (Ref)		
35	B263-12	Housing	X	1
	B263-1	Pin	X	2
36	MS35206-228	Screw	X	1
37	N-4-BK	Clamp	X	1
38	NAS1149FN616P	Washer	X	1
39	MS21042L06	Nut	X	1
40	MS27039C0806	Screw	X	3
41	A797-1	Cover	X	1
42	NAS1351-06-6P	Screw	X	2
43	NAS620-6	Washer	X	2
44	—	Screw	O	2
45	—	Lockwasher	O	2
46	B260-2	Terminal	X	2
47	F859-283	Wire (Ref)		
48	B565-1*	Switch (Incl items 44 and 45)	X	1
49	F859-284	Wire (Ref)		

NOTES

Continued

FIGURE AND INDEX NUMBER	PART NUMBER	DESCRIPTION	PARTS AVAIL	QTY PER ASSY
AUDIO AND INTERCOM SWITCHES INSTALLATION (Cont'd)				
97-53-50	F232-1	Floor (Ref; LH)		
51	B162-3*	Clipnut	X	3
52	200-24200-09	Clip	X	2
53	F407-1	Beam (Ref; LH)		
54	A701-1	Tape (foil)	X	A/R
NOTES				

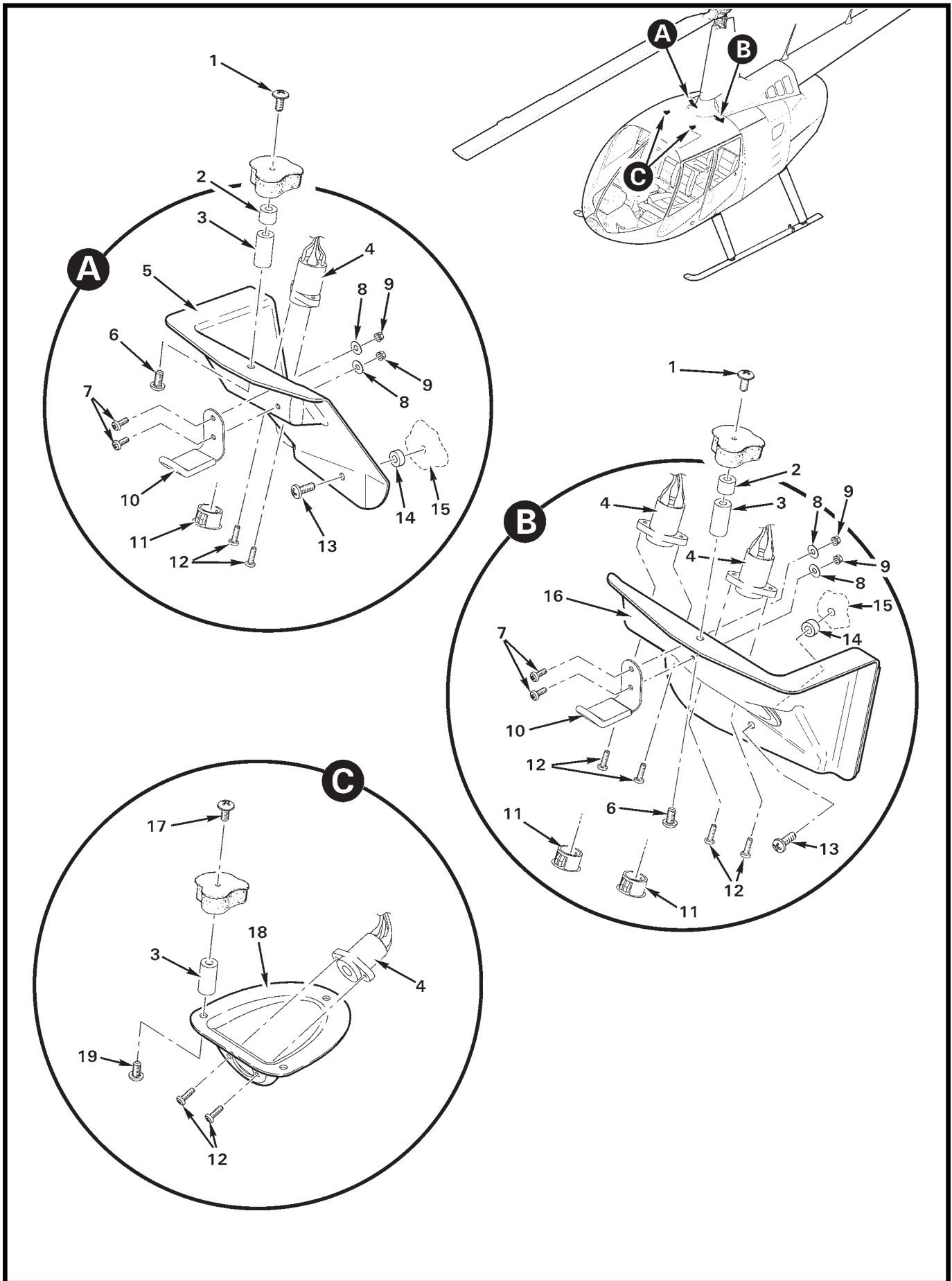


FIGURE AND INDEX NUMBER	PART NUMBER	DESCRIPTION	PARTS AVAIL	QTY PER ASSY
STANDARD HEADSET JACKS INSTALLATION				
97-57-1	MS27039C0811	Screw (thru roof)	X	2
2	A130-33	Spacer	X	2
3	C710-3	Spacer	X	6
4	TJ-120	Jack	X	4
5	F436-6	Cover Assembly (RH)	X	1
6	MS27039C0806	Screw	X	2
7	MS35206-214	Screw	X	4
8	NAS1149FN416P	Washer	X	4
9	MS21042L04	Nut	X	4
10	A752-3	Angle	X	2
11	2653	Hole Plug	X	3
12	A142-5	Screw	X	8
13	MS27039C0808	Screw	X	2
14	A130-37	Spacer	X	2
15	F439-1	Duct (Ref)		
16	F436-5	Cover Assembly (LH)	X	1
	F436-1	Cover Assembly (LH; earlier ships)	O	1
17	AN526C832R6	Screw	X	6
18	C710-1	Cover (RH and LH)	X	2
19	MS27039C0805	Screw	X	6

NOTES

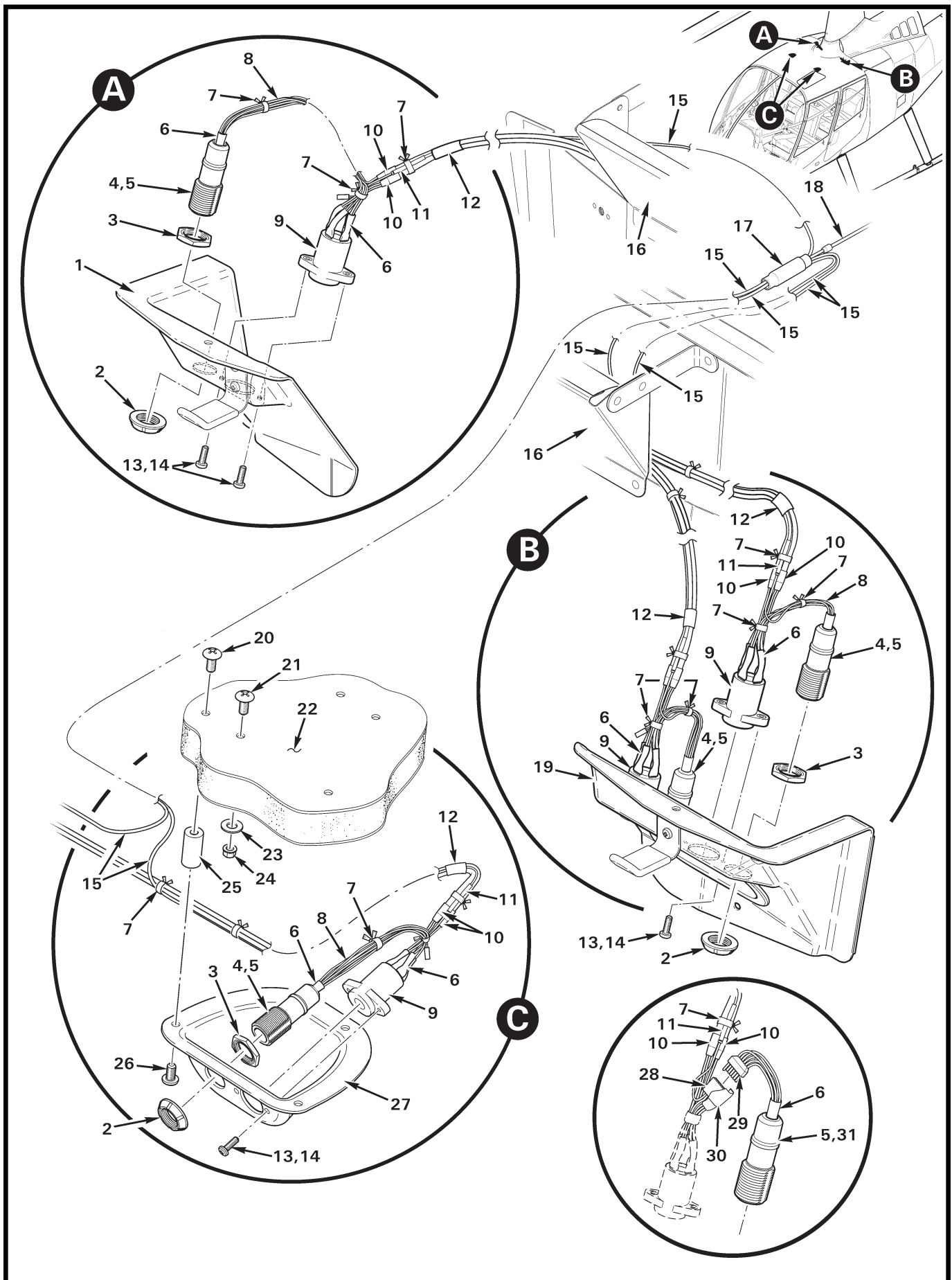


FIGURE AND INDEX NUMBER	PART NUMBER	DESCRIPTION	PARTS AVAIL	QTY PER ASSY
BOSE HEADSET JACKS INSTALLATION				
97-59-1	F436-6*	Cover Assembly (RH, aft; Ref)		
2	R5694	Nut (brass, black chromed)	X	1
3	-	Nut (hex)	O	1
4	D746-4	Wire Harness Assembly (Incl items 5, 6, and 8)	X	1
5	D746-2	Connector Kit (Incl items 2 and 3)	O	1
6	B158-3	Heat Shrink	X	A/R
7	B268-3	Lacing Tape	X	A/R
8	-	Wires (labeled, Ref)	O	6
9	TJ-120*	Jack (Ref, see Figure 97-57)		
10	B158-2	Heat Shrink	X	A/R
11	B267-5	Wire Splice	X	5
12	B158-4	Heat Shrink (labeled)	X	A/R
13	A142-5	Screw (install using item 14)	X	10
14	B270-20	Adhesive	X	A/R
15	F859-2221	Wire (Ref)		
16	F437-1	Duct (Ref)		
17	B267-6	Solder Splice	X	1
18	F859-1492	Wire (power from audio, Ref)		
19	F436-5*	Cover Assembly (LH, aft; Ref)		
20	AN526C832R6	Screw (do not substitute MS27039 screws)	X	8
21	AN526C832R6**	Screw (this location only)	X	1
22	F273-1	Roof (Ref)		
23	NAS1149FN816P	Washer	X	1
24	MS21042L08	Nut	X	1
25	C710-3	Spacer	X	8
26	MS27039C0805	Screw	X	8
27	C710-4	Cover	X	2
28	837062907**	Connector Assembly	X	1
29	837061905**	Connector Assembly	X	1
30	B158-6**	Heat Shrink	X	A/R
31	D746-3**	Wire Harness Assembly (Incl items 5 and 29)	X	5

NOTES * See Figure 97-57.
 ** R66 ship S/N 0520, and 0522 thru 1006.

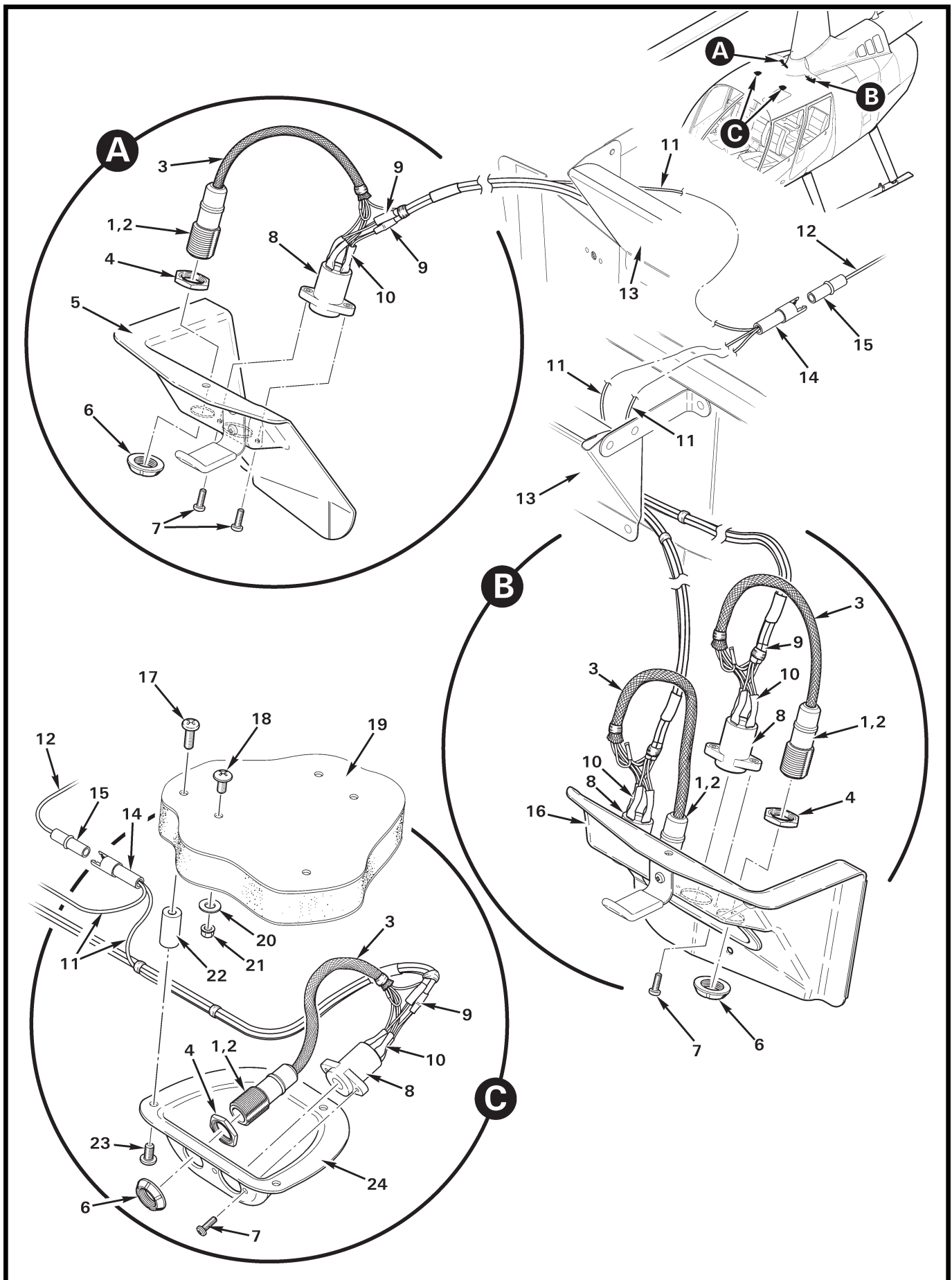


FIGURE AND INDEX NUMBER	PART NUMBER	DESCRIPTION	PARTS AVAIL	QTY PER ASSY
		BOSE HEADSET JACKS INSTALLATION*		
97-61-1	D746-1	Wire Harness Assembly (Incl items 2, 3, and 11)	X	A/R
2	D746-2	Connector Kit (includes connector, and items 4 and 6)	O	1
3	B266-4	Sleeving	X	A/R
4	—	Nut (hex)	O	1
5	F436-2**	Cover (aft, RH; Ref)		
6	R5694	Nut (brass, black chromed)	X	1
7	MS35206-215**	Screw (Ref)		
8	TJT-120**	Jack (Ref)		
9	B158-1	Heat Shrink	X	A/R
10	B158-2	Heat Shrink	X	A/R
11	D746-2221	Wire (Ref)		
12	F059-1492	Wire (Ref)		
13	F437-1	Duct (Ref)		
14	B263-10	Housing	X	A/R
	B263-1	Pin	X	1
15	B263-11	Housing (Ref)		
16	F436-1**	Cover (aft, LH; Ref)		
17	MS27039C0811	Screw	X	8
18	AN526C832R6	Screw	X	1
19	F273-1	Roof (Ref)		
20	NAS1149FN816P	Washer	X	1
21	MS21042L08	Nut	X	1
22	C710-3	Spacer	X	8
23	MS27039C0806	Screw	X	8
24	C710-4	Cover (forward, RH and LH; LH shown)	X	2

NOTES * Earlier R66s.
 ** See Figure 97-57.

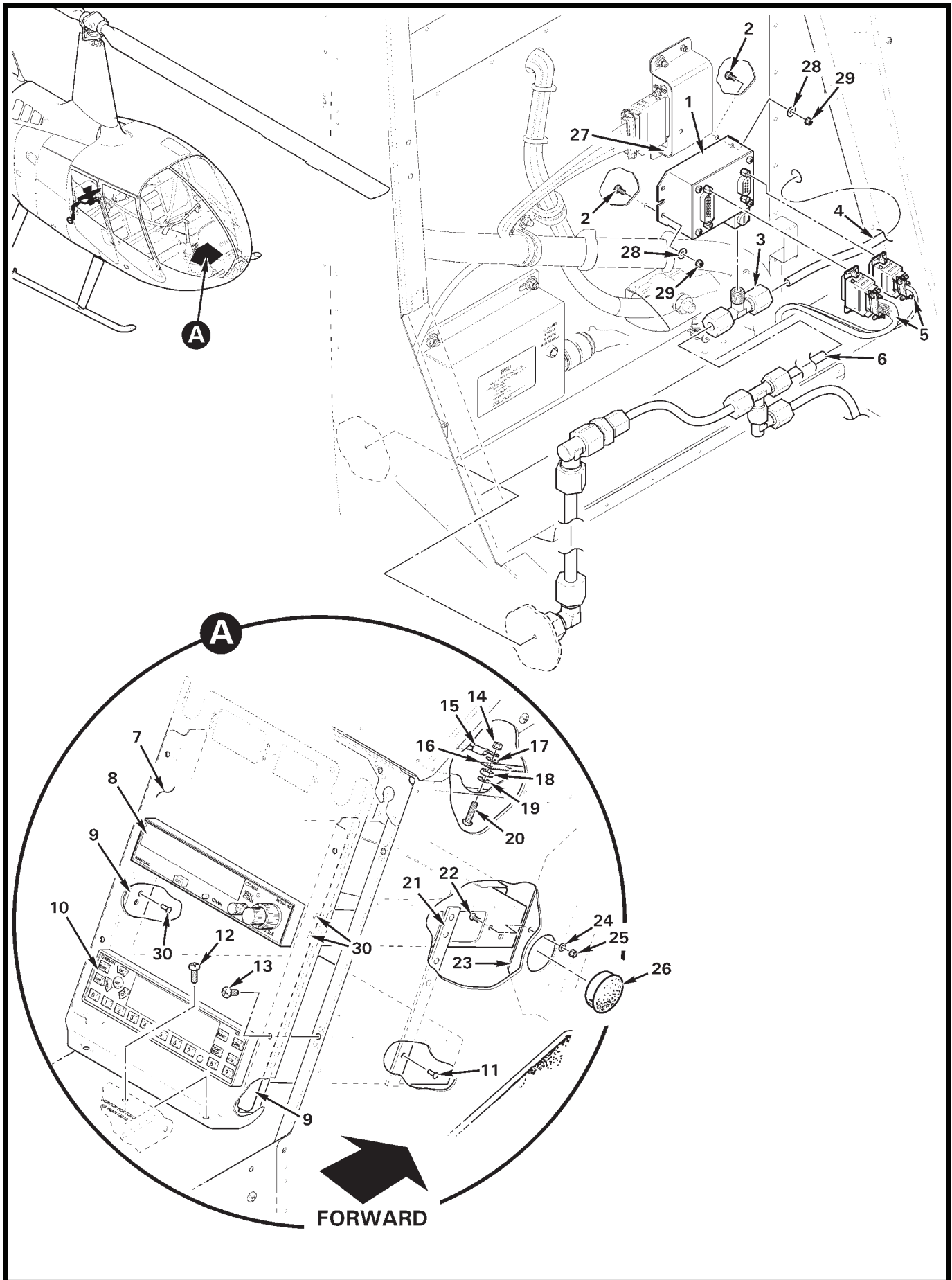


FIGURE AND INDEX NUMBER	PART NUMBER	DESCRIPTION	PARTS AVAIL	QTY PER ASSY
TRANSPONDER AND BLIND ENCODER INSTALLATION				
97-63-1	B240-3	Blind Encoder	X	1
2	MS35206-227	Screw	X	2
3	70-4-N-0	Tee	X	1
4	A729-24	Tube (Ref)		
5	F859-01	Wire Harness (Ref, 8-hole console)		
	F059-01	Wire Harness (Ref, 7-, 9-hole console; earlier ships)		
6	A729-53	Tube (Ref)		
7	G225	Panel – Avionics (Ref)		
8	KY0196A-60*	Com Transceiver (Bendix/King, Ref)		
9	C905-5	Angle	X	2
10	GTX 327	Transponder (Mode C)	O	1
	GTX 328	Transponder (Mode S)	O	1
	GTX 330	Transponder (Mode S w/ADS-B Out & TIS-A)	O	1
	GTX 33	Transponder (Mode S w/ADS-B Out & TIS-A)	O	1
11	NAS1097AD	Rivet	X	8
12	MS27039C0806	Screw (Ref)		
13	MS27039C0807	Screw (Ref)		
14	MS21042L08	Nut	X	1
15	-260	Wire (Ref)		
16	A448-15	Bus Bar (3-hole)	X	1
17	NAS1149FN816P	Washer	X	1
18	B301-8	Nut	X	1
19	NAS1149DN832H	Washer	X	1
20	B567-43	Screw	X	1
21	A684-1	Strap	X	2
22	—	Screw (6-32 countersunk, supplied with radio)	X	2
23	A371-3	Stiffener	X	2
24	NAS1149FN616P	Washer	X	2
25	MS21042L06	Nut	X	2
26	SI413	Hole Plug	X	2
27	F695-4	Tester Assembly – Warning Lights (Ref)		
	F695-1	Tester Assembly – Warning Lights (Ref; earlier ships)		
28	NAS1149FN616P	Washer	X	2
29	MS21042L06	Nut	X	2
30	MS20426AD	Rivet	X	4

NOTES * Garmin 330-00067-00 Notch filter required if Garmin Series 400 or 500 GPS is installed. See figures 6-29 and 6-31 for installation options.

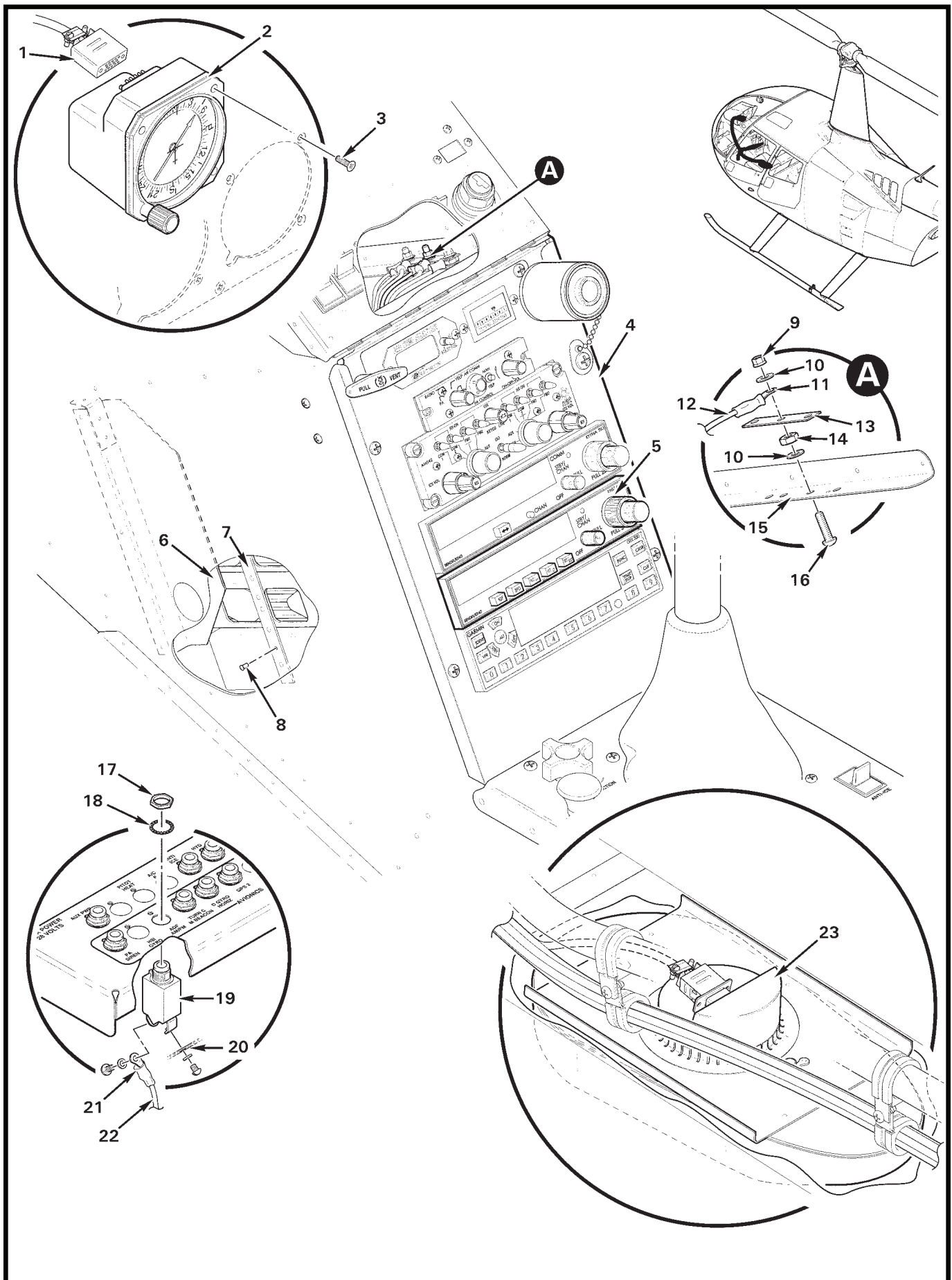


FIGURE AND INDEX NUMBER	PART NUMBER	DESCRIPTION	PARTS AVAIL	QTY PER ASSY
ADF SYSTEM INSTALLATION				
97-65-1	050-01808-0000	Installation Kit	O	1
2	066-03063-0000	ADF Indicator (Bendix/King, unslaved; includes item 1)	X	1
	KI-227-00R	ADF Indicator (overhaul; Bendix/King, unslaved)	X	1
	066-03063-0001	ADF Indicator (Bendix/King, slaved; includes item 1)	X	1
	KI-227-01R	ADF Indicator (overhaul; Bendix/King, slaved)	X	1
3	MS24693-S32	Screw	X	3
4	G225	Face Assembly (Ref)		
5	KR0087-00	ADF Receiver (Bendix/King)	X	1
6	A371-3	Stiffener (Ref)		
7	A684-1	Strap	X	2
8	MS20470AD3	Rivet	X	8
9	MS21042L08	Nut	X	1
10	NAS1149DN832H	Washer	X	2
11	B260-3	Terminal (Ref)		
12	-271	Wire (Ref)		
13	A448-15	Bus Bar (3-hole)	X	1
14	B301-8	Nut	X	1
15	F365-1	Angle (Ref)		
16	B567-43	Screw	X	1
17	—	Nut	O	1
18	—	Lockwasher	O	1
19	B297-2	Circuit Breaker (2 amp; includes items 17 and 18)	X	1
20	A448-1	Bus Bar (3-hole, Ref)		
21	B260-2	Terminal (Ref)		
22	-270	Wire (Ref)		
23	KA44B	ADF Antenna (Ref; see Figure 6-13)		

NOTES

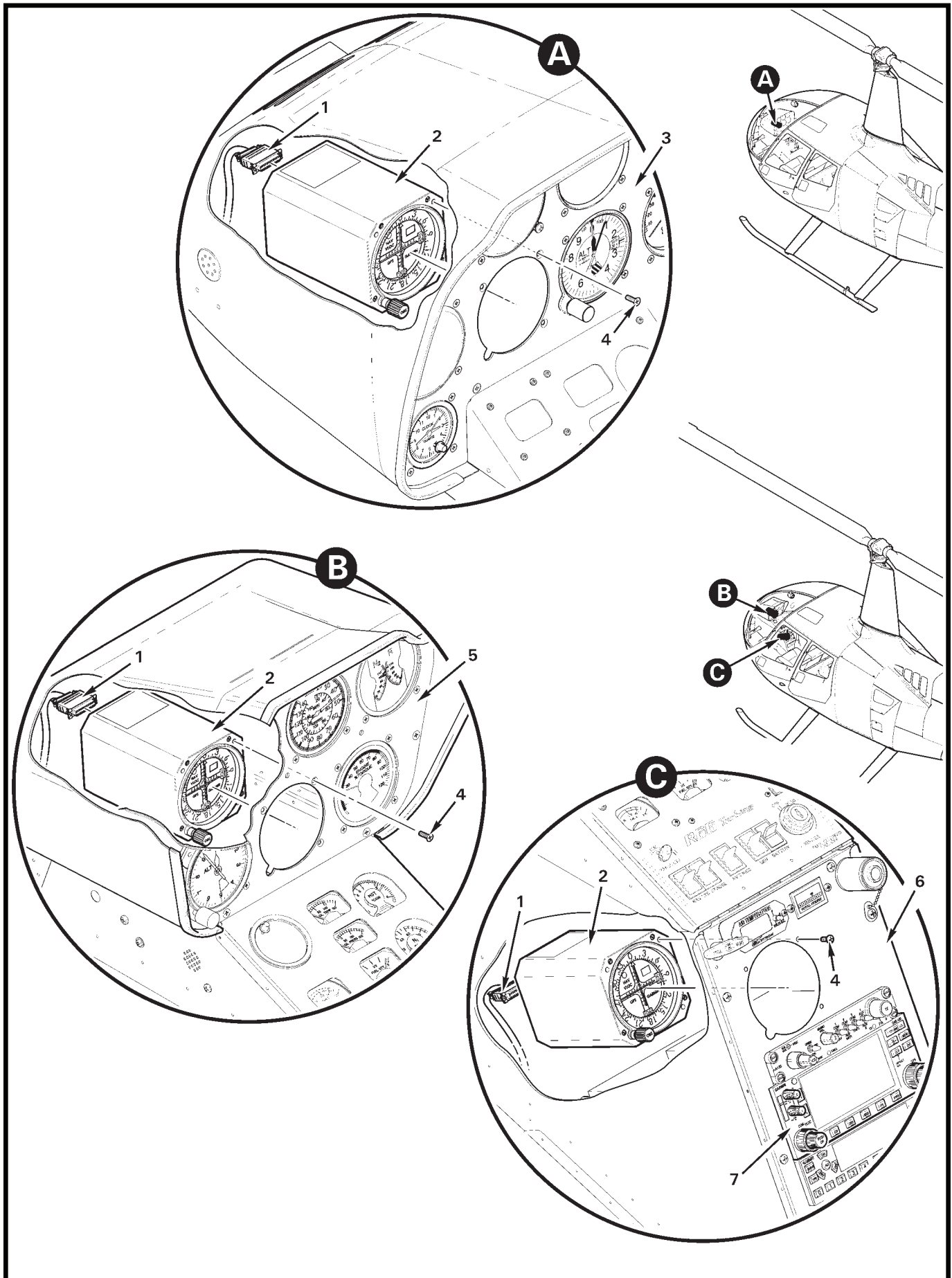


FIGURE AND INDEX NUMBER	PART NUMBER	DESCRIPTION	PARTS AVAIL	QTY PER ASSY
VOR INDICATOR INSTALLATION				
97-67-1	B269-12	Receptacle	X	1
2	GI-106B	VOR Indicator (Garmin; includes item 4)	O	1
3	G050	Console Assembly (Ref)		
4	—	Screw	O	3
5	B050	Console Assembly (Ref)		
6	G225-25	Face Assembly – Avionics Console (Ref, used with Garmin 400 series only)		
7	GNS 430W	GPS Transceiver (Garmin GPS, Ref)		
NOTES				

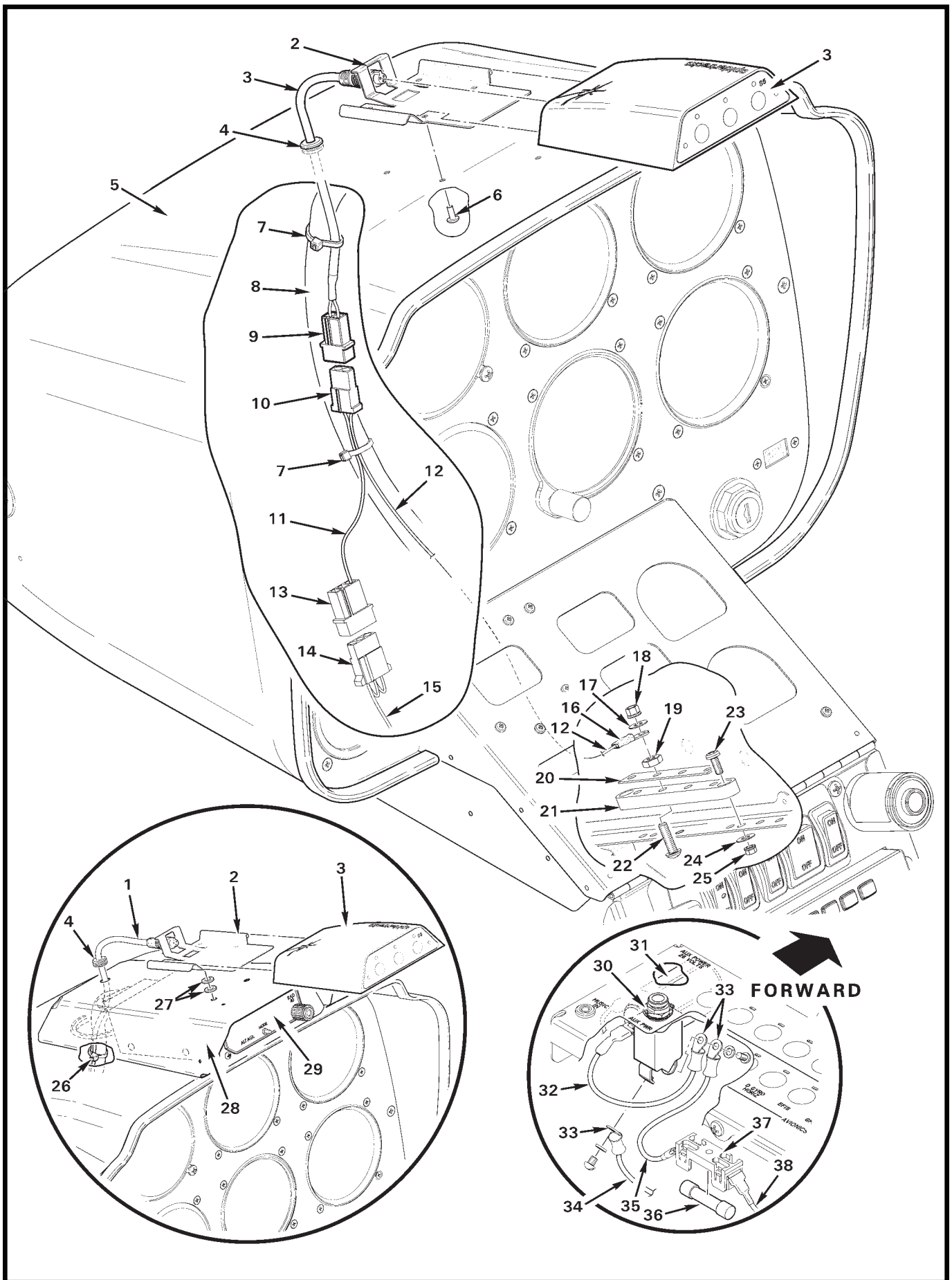


FIGURE AND INDEX NUMBER	PART NUMBER	DESCRIPTION	PARTS AVAIL	QTY PER ASSY
SPIDERTRACKS PROVISION INSTALLATION				
97-69-1	2000PWR200	Cable Assembly	O	1
2	3000BRK103-TL	Bracket	O	1
3	—	Spidertracks Reciever (Ref)		
4	MS35489-4	Grommet	X	1
5	—	Upper Console Assembly (Ref)		
6	MS20470AD4	Rivet	X	4
7	MS3367-4-9	Ty-Rap (or MS3367-5-9)	X	A/R
8	G716	Harness Assembly – Console (Ref)		
9	B263-32	Housing	X	1
	B263-1	Pin	X	2
	B158-2	Heat Shrink (around blue wire)	X	A/R
10	B263-33	Housing	X	1
	B263-2	Socket	X	2
11	-2630	Wire (power, Ref)		
12	-2631	Wire (ground, Ref)		
13	B263-34	Housing	X	1
	B263-1	Pin	X	1
14	B263-35	Housing	X	1
	B263-2	Socket	X	1
15	F859-2626	Wire (Ref)		
16	B260-2	Terminal	X	1
17	NAS1149FN816P	Washer (Ref)		
18	MS21042L08	Nut (Ref)		
19	B301-8	Nut (Ref)		
20	A448	Bus Bar (Ref)		
21	C448	Terminal Block Assembly (Ref)		
22	B567-43	Screw (Ref)		
23	MS35206-228	Screw (Ref)		
24	NAS1149FN616	Washer (Ref)		
25	MS21042L06	Nut (Ref)		
26	MS3367-4-9	Ty-Rap	X	1
27	NAS620-5	Washer (two at each rivet)	X	8
28	B560	Enclosure (Ref)		
29	—	Radar Altimeter Indicator (Ref)		
30	B297-10	Circuit Breaker (10-amp, "AUX POWER")	X	1

NOTES

Continues

FIGURE AND INDEX NUMBER	PART NUMBER	DESCRIPTION	PARTS AVAIL	QTY PER ASSY
SPIDERTRACKS PROVISION INSTALLATION (Cont'd)				
97-69-31	D692-4	Socket (Ref)		
32	-626	Wire (Ref, power to item 30)		
33	B260-2	Terminal (Ref)		
34	F859-2570	Wire (Ref)		
35	F859-626	Wire (Ref)		
36	AGC-5	Fuse (5 amp)	X	1
37	D262-1	Fuseblock (Ref)		
38	F859-2626	Wire (power, Ref)		
NOTES				