

CHAPTER 79
ENGINE OIL SYSTEM

<i>Figure</i>	<i>Title</i>	<i>Page</i>
79-1	Cooling Scroll Assembly	79.0
79-3	Cooling Duct Box Assemblies	79.2
79-5	Engine – Oil Tank Installation	79.4
79-7	Engine – Oil Cooler Installation	79.6
79-9	Engine – Oil Lines Installation	79.8

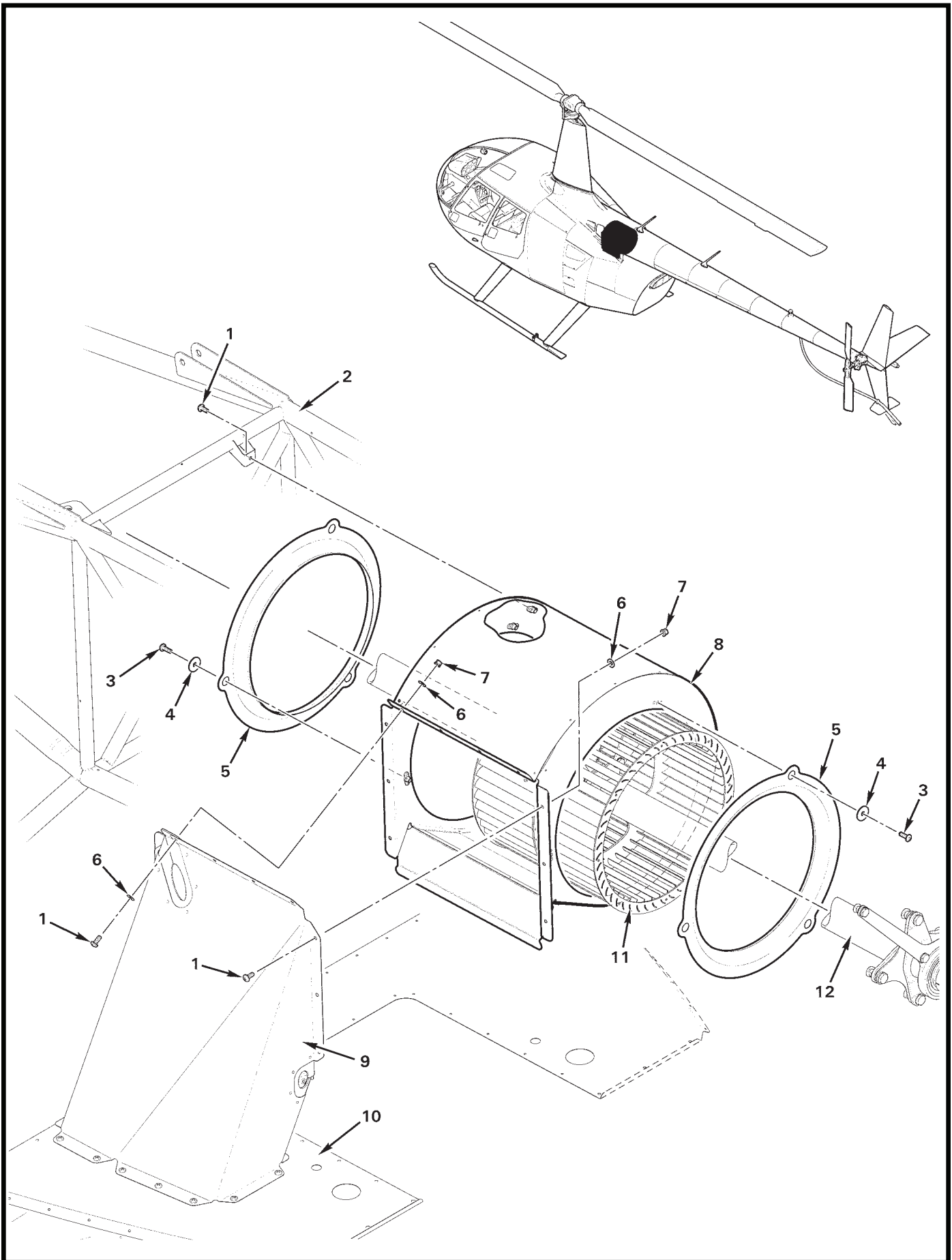


FIGURE AND INDEX NUMBER	PART NUMBER	DESCRIPTION	PARTS AVAIL	QTY PER ASSY
COOLING SCROLL ASSEMBLY				
79-1-1	MS27039C0806	Screw	X	11
2	F020-1	Upper Frame (Ref)		
3	MS27039C0807	Screw	X	6
4	A141-18	Washer	X	6
5	F305-5	Inlet	X	2
6	NAS1149FN816P	Washer	X	12
7	MS21042L08	Nut	X	10
8	F236-1	Scroll Assembly (install using item 13)	X	1
9	F306-1	Box Assembly (Ref)		
10	G234-1	Firewall (Ref)		
11	G174-1	Fanwheel Assembly (Ref; see Figure 65-1)		
12	F196-1	Tail Rotor Drive Shaft Weldment – Fan (Ref; see Figure 65-1) . .	X	1
13	A701-1	Tape – Aluminum Foil (to cover all interior gaps)	X	A/R

NOTES

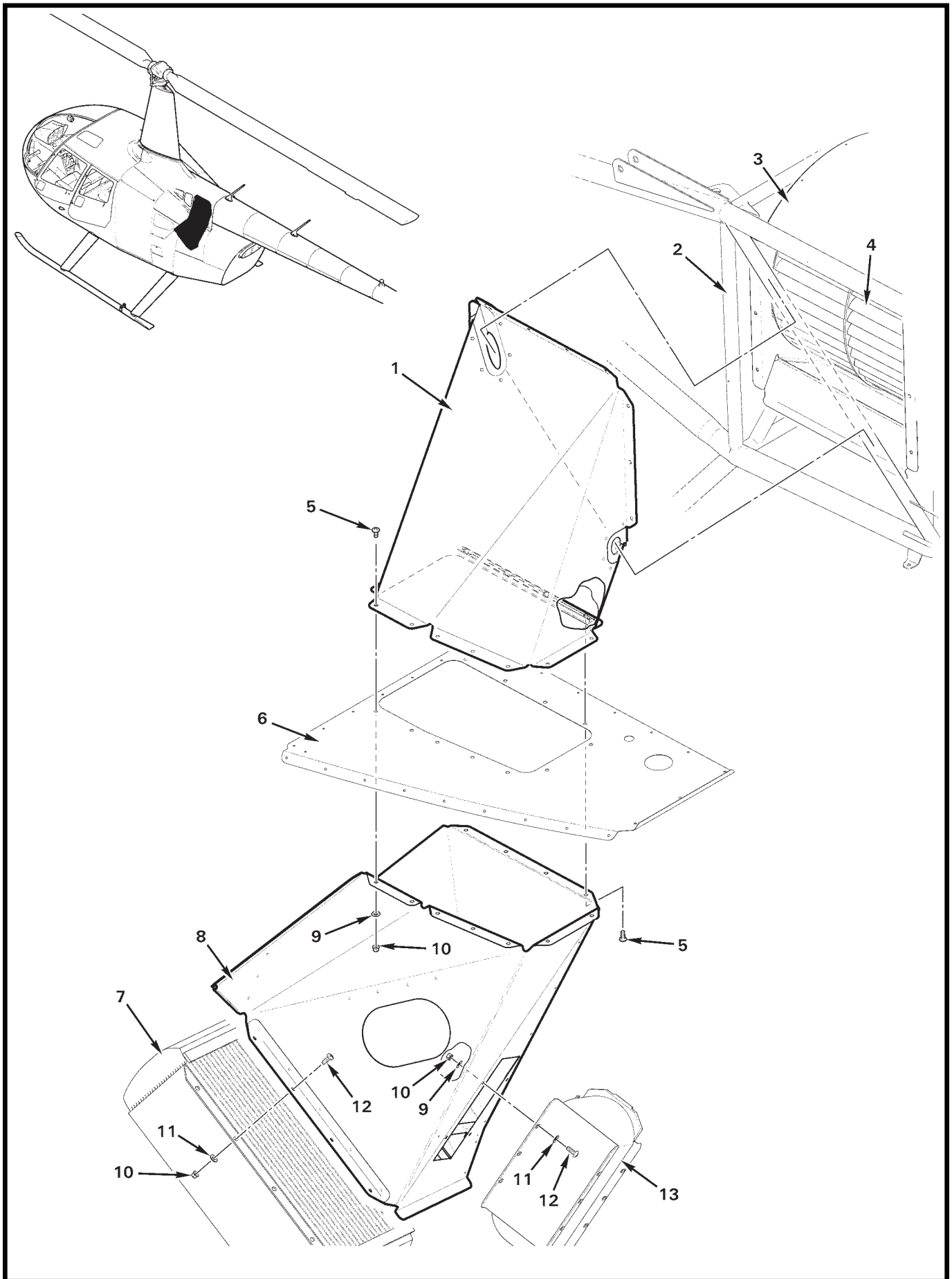


FIGURE AND INDEX NUMBER	PART NUMBER	DESCRIPTION	PARTS AVAIL	QTY PER ASSY
COOLING DUCT BOX ASSEMBLIES				
79-3-1	F306-1	Box Assembly (install using item 14)	X	1
2	F020-1	Upper Frame (Ref)		
3	F236-1	Scroll Assembly (Ref)		
4	G174-1	Fanwheel Assembly (Ref; see Figure 65-1)		
5	MS27039C0805	Screw	X	11
6	G234-1	Firewall (Ref)		
7	F649-1	Oil Cooler (engine, Ref)		
8	F309-1	Box Assembly (install using item 14)	X	1
9	NAS1149FN816P	Washer	X	15
10	MS21042L08	Nut	X	19
11	NAS1149FN832P	Washer	X	12
12	MS27039C0807	Screw	X	12
13	C649-4	Oil Cooler (main rotor gearbox, Ref)		
14	A701-1	Tape – Aluminum Foil (to cover all interior gaps)	X	A/R

NOTES

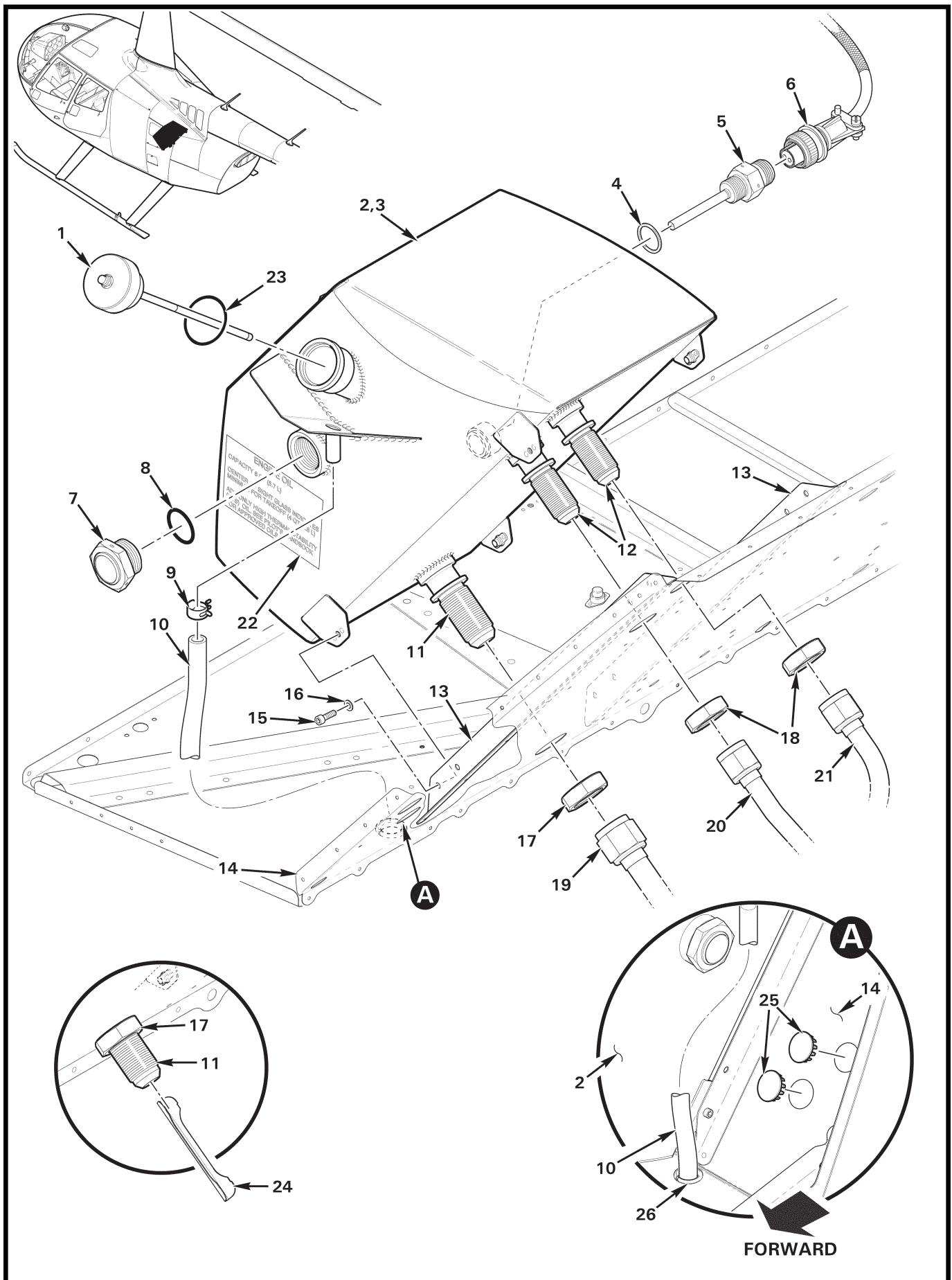


FIGURE AND INDEX NUMBER	PART NUMBER	DESCRIPTION	PARTS AVAIL	QTY PER ASSY
ENGINE – OIL TANK INSTALLATION				
79-5-1	G723-1	Dipstick (Incl item 23)	X	1
2	G689-1	Oil Tank Assembly (Incl items 11 and 12)	X	1
3	A257-23	Oil	X	A/R
4	MS29561-015	Packing (install using A257-18 lube).	X	1
5	MS28034-1	Oil Temp Sender (discard gasket)	X	1
6	F859-1	Harness Assembly (Ref)		
7	B563-2	Sight Gage	X	1
8	A215-020	O-Ring (install using A257-18 lube)	X	1
9	D277-8	Clamp	X	1
10	A729-46	Tube (Ref)		
11	—	Fitting (Ref)		
12	—	Fitting (Ref)		
13	F384-3	Angle	X	2
14	F234-1	Firewall (Ref)		
15	NAS1352-08-8P	Screw	X	4
16	NAS1149FN816P	Washer	X	4
17	A880-1010	Nut	X	1
18	A880-1008	Nut	X	2
19	F723-1	Line Assembly (Ref)		
20	F723-4	Line Assembly (Ref)		
21	F723-3	Line Assembly (Ref)		
22	F654-3	Decal	X	1
23	74068*	O-ring	X	1
24	G805-1	Angle (Installed in G689-1 oil tanks rev. J and prior. See R66 SB-21 for additional information.)	X	1
25	B209-2	Plug (installed when A/C system not installed)	X	A/R
26	NAS557-8A	Grommet	X	1

NOTES * Lycoming part number.

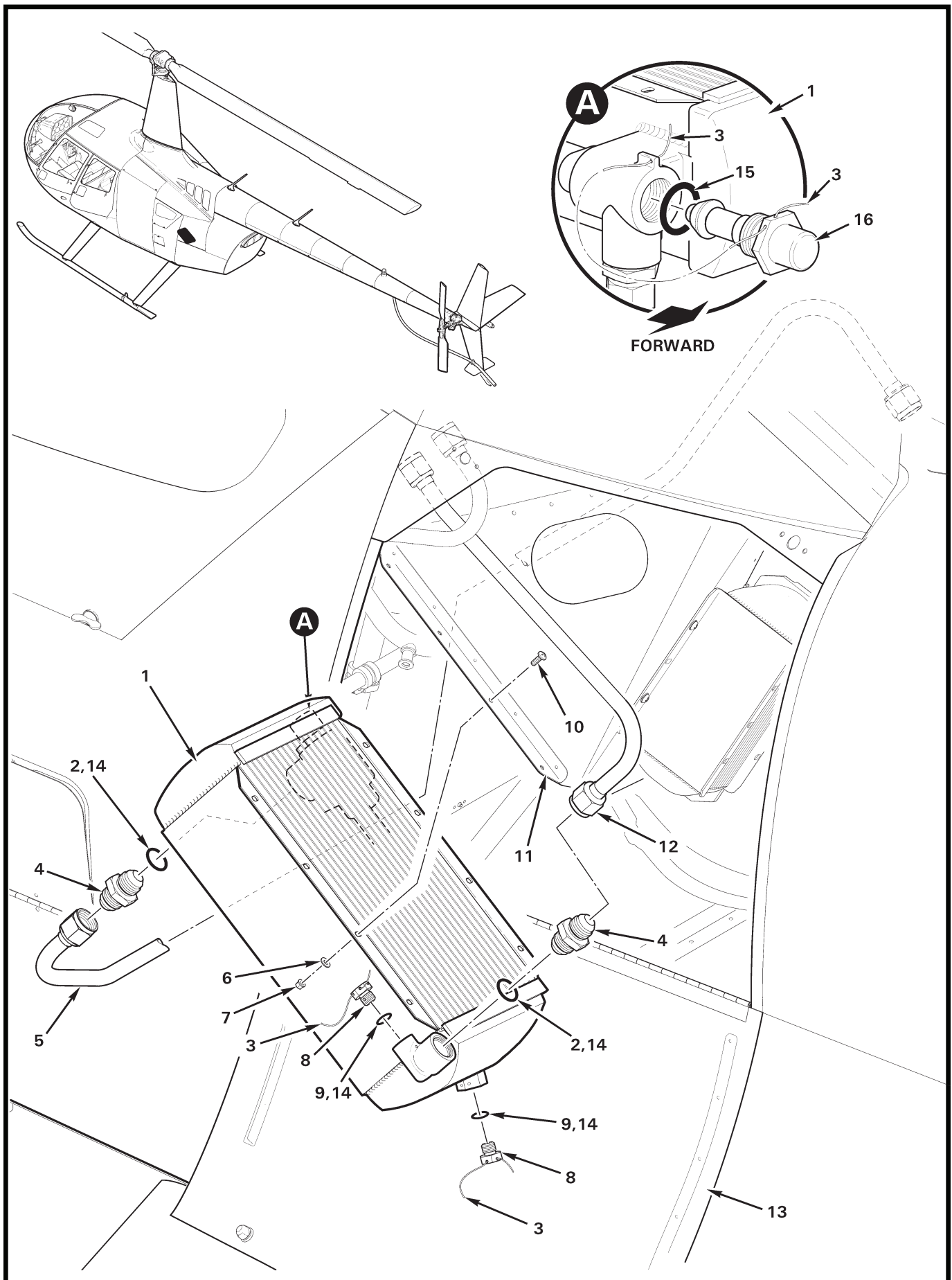


FIGURE AND INDEX NUMBER	PART NUMBER	DESCRIPTION	PARTS AVAIL	QTY PER ASSY
ENGINE – OIL COOLER INSTALLATION				
79-7-1	F649-1	Oil Cooler Assembly (incl items 15 and 16)	X	1
2	MS28778-8	Packing (o-ring; install using item 14)	X	2
3	MS20995C32	0.032 in. dia Safety Wire (optional)	X	A/R
4	AN815-8D	Union	X	2
5	F723-2	Line Assembly (Ref)		
6	NAS1149FN832P	Washer	X	8
7	MS21042L08	Nut	X	8
8	AS5169D04L	Fitting	X	2
9	MS28778-4	Packing (o-ring; install using item 14)	X	2
10	MS27039C0807	Screw	X	8
11	F309-1	Box Assembly (Ref)		
12	F723-4	Line Assembly (Ref)		
13	G040-5	Door (Ref)		
14	A257-18	Lubricant	X	A/R
15	MS29512-12	Packing (o-ring; or MS28778-12)	X	1
16	724155	Thermostat	X	1
NOTES				

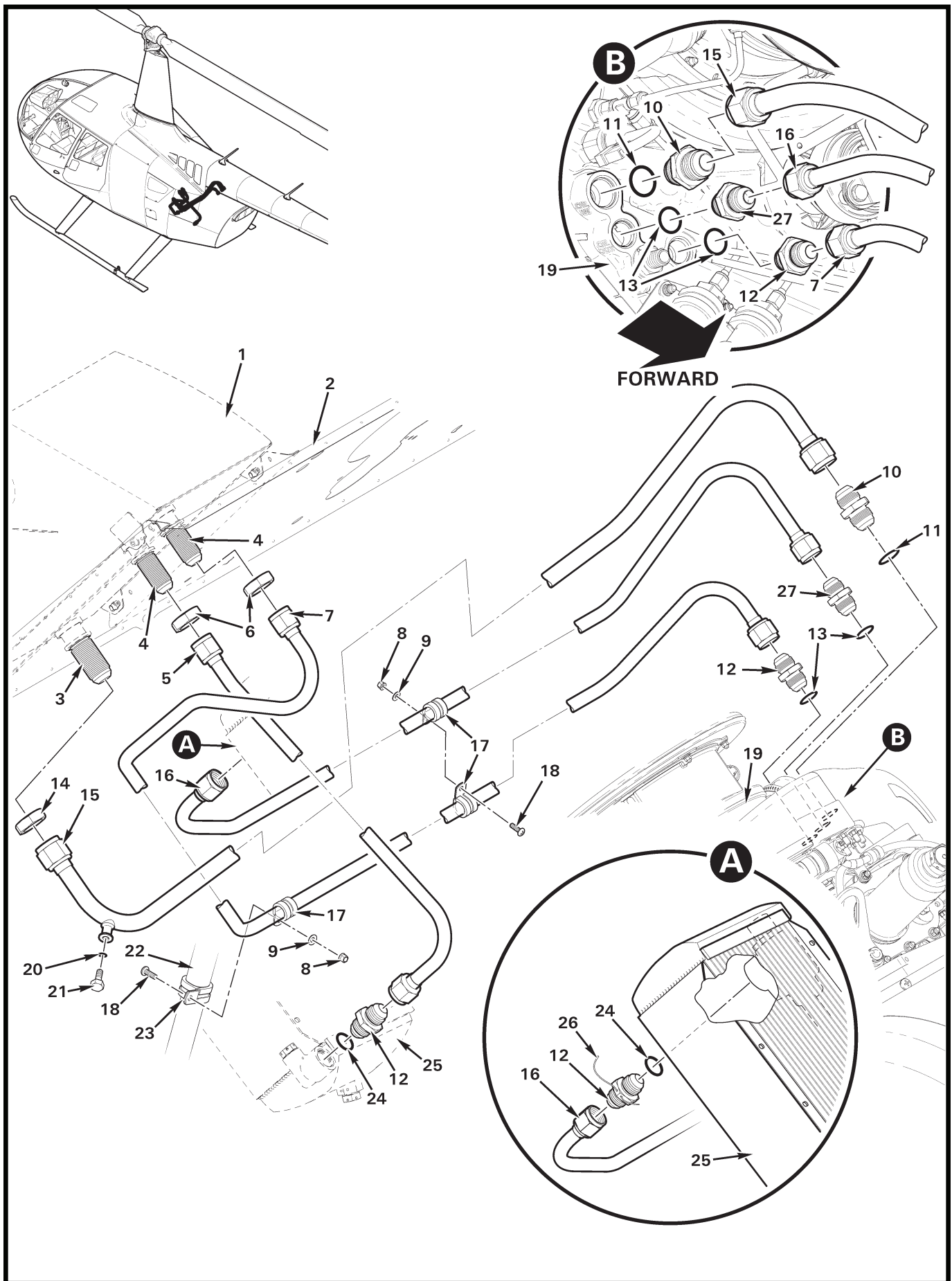


FIGURE AND INDEX NUMBER	PART NUMBER	DESCRIPTION	PARTS AVAIL	QTY PER ASSY
ENGINE – OIL LINES INSTALLATION				
79-9-1	G689-1	Oil Tank Assembly (Ref; see Figure 79-5)		
2	F234-1	Firewall (Ref)		
3	G689-14	Fitting (Ref)		
4	G689-13	Fitting (Ref)		
5	F723-4	Line Assembly	X	1
6	AN924-8D	Nut	X	2
7	F723-3	Line Assembly	X	1
8	MS21042L08	Nut	X	2
9	NAS1149FN816P	Washer	X	2
10	A880-910	Union (or AN815-10D)	X	1
11	NAS617-10	Packing (o-ring)	X	2
12	A880-908	Union (or AN815-8D)	X	3
13	NAS617-8	Packing (o-ring)	X	1
14	AN924-10D	Nut	X	1
15	F723-1*	Line Assembly	X	1
16	F723-2	Line Assembly	X	1
17	MS21919WCH8	Clamp	X	3
18	MS27039C0807	Screw	X	2
19	F145-1	Engine (Ref)		
20	A215-902	O-Ring (replaceable)	X	1
21	B289-2	Bolt (includes item 20 and PTFE washer [not shown])	X	1
22	F046-1	Frame Weldment (Ref)		
23	MS21919WCH14	Clamp	X	1
24	MS28778-8	Packing (o-ring)	X	2
25	F649-1	Oil Cooler (Ref)		
26	MS20995C32	0.032 in. dia Safety Wire (earlier ships)	X	A/R
27	A880-908	Union (or AN815-8D)	X	1
	CV26-77	Check Valve (earlier R66s; replace with A880-908 union) . . .	O	1

NOTES * Optional: Install AS4824N10 gaskets at flares as required for sealing.

Intentionally Blank