

CHAPTER 28**FUEL SYSTEM**

<i>Figure</i>	<i>Title</i>	<i>Page</i>
28-1	Fuel Bladder Assembly	28.0
28-5	Fuel Bladder Assembly – Aft Components	28.4
28-7	Low Fuel Switch and Drain Assembly Installation	28.6
28-9	Fuel Valve and Hoses Installation	28.8
28-13	Large Auxiliary Fuel Tank Installation	28.12
28-15	Large Auxiliary Fuel Tank Assembly	28.14
28-19	Large Auxiliary Fuel Tank – Components	28.18
28-21	Small Auxiliary Fuel Tank Installation	28.20
28-23	Small Auxiliary Fuel Tank Assembly	28.22
28-27	Small Auxiliary Fuel Tank – Components	28.26
28-29	Auxiliary Fuel Tank – Hose Installation	28.28
28-31	Auxiliary Fuel Tank – Electrical Components	28.30
28-35	Auxiliary Fuel Tank – Electrical Components	28.34
28-37	Pressure Fueling System – Main Fuel Port	28.36
28-41	Pressure Fueling System – Shut-off Valve Assemblies	28.40
28-43	Pressure Fueling System – Pressure Fuel Port	28.42
28-45	Pressure Fueling System – Electrical Components	28.44
28-49	Pressure Fueling System – Electrical Components	28.48

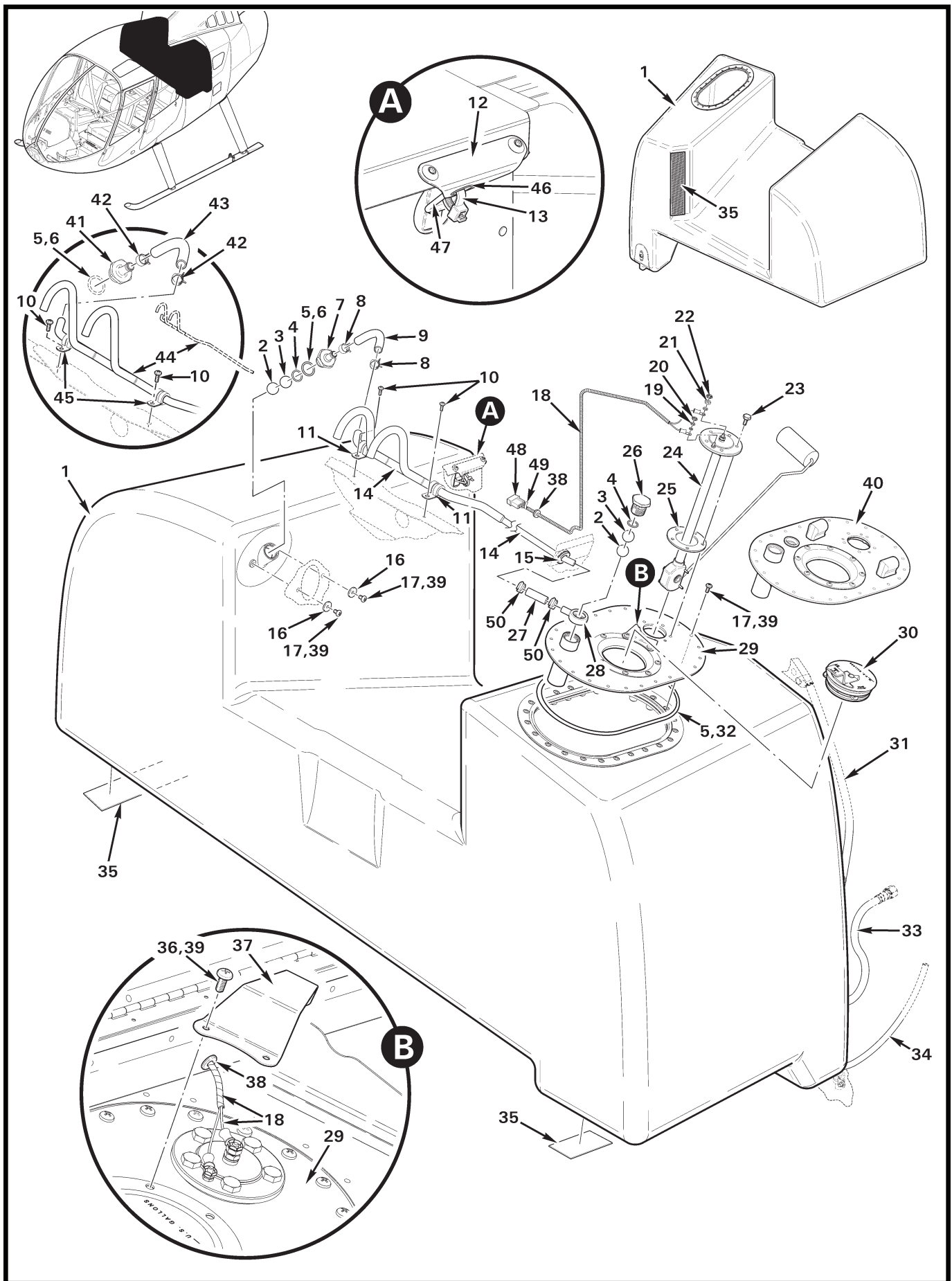


FIGURE AND INDEX NUMBER	PART NUMBER	DESCRIPTION	PARTS AVAIL	QTY PER ASSY
FUEL BLADDER ASSEMBLY				
28-1-1	G028-1	Bladder Assembly (Incl item 35)	X	1
2	B208-6	Ball (red anodized)	X	2
3	B208-5	Ball (gold alodine; earlier balls were blue)	X	2
4	A215-015	O-Ring	X	2
5	A257-6	Grease	X	A/R
6	MS29512-10	Packing (o-ring; install using item 5)	X	2
7	G254-2	Fitting	X	2
8	D277-10	Clamp	X	4
9	A729-82	Tube	X	1
10	MS27039C0807	Screw	X	2
11	MS21919WDG8	Clamp	X	2
12	G915-5	Tab (Ref)		
13	MS3367-7-9	Ty-Rap	X	1
14	F731-6	Vent Weldment	X	1
15	MS35489-11	Grommet	X	1
16	A141-17	Washer	X	2
17	MS27039C1-06	Screw (install using item 39)	X	26
18	F049-04	Harness Assembly (fuel sender; includes items 38, 48, & 49)	X	1
19	44-121 *	Nut (small; supplied with sender)	O	2
20	B330-5	Palnut (small)	X	1
21	0044-00408*	Nut (large)	O	2
22	B330-6	Palnut (large)	X	1
23	B289-4	Bolt (includes O-ring)	X	5
	5-108 N674-70**	O-ring	O	A/R
24	F550-1	Fuel Quantity Sender (Incl items 19, 21, and 25)	X	1
25	0015-00423	Gasket (supplied with sender; spares available)	X	1
26	G254-6	Retainer	X	1
27	A729-65	Tube	X	1
28	G254-7	Fitting	X	1
29	F250-1***	Cover Assembly (for ships without optional aux fuel tank) . . .	X	1
30	F689-1	Cap (fuel)	X	1
31	A729-44	Tube (Ref, see Figure 28-5)		
32	MS29513-270	Packing (o-ring, install using item 5)	X	1
33	D205-21	Hose Assembly (Ref, see Figure 28-9)		
34	A729-43	Tube (drain; Ref, see Figure 28-5)		

NOTES * Rochester Gauges, Inc. part no.
 ** Parker O-ring part number.
 *** Refer to Figure 28-37 for ships with optional pressure fueling system.

Continues

FIGURE AND INDEX NUMBER	PART NUMBER	DESCRIPTION	PARTS AVAIL	QTY PER ASSY
FUEL BLADDER ASSEMBLY (Cont'd)				
28-1-35	B175-3	Hook Tape	X	A/R
36	MS27039C1-07	Screw (install using item 39)	X	2
37	G271-1	Guard	X	1
38	MS35489-4	Grommet	X	1
39	A257-9	Anti-seize	X	A/R
40	F250-10*	Cover Assembly (for ships with optional aux fuel tank)	X	1
41	G254-2**	Fitting	X	1
42	D277-8**	Clamp	X	2
43	A729-39**	Tube	X	1
44	F731-4	Vent Weldment (earlier R66s)	X	1
45	MS21919WDG6**	Clamp	X	2
46	NAS557-6A	Grommet	X	1
47	35486	Hanger Tab (Ref)		
48	B263-14	Housing	X	1
	B263-1	Pin	X	3
49	B161-2	Spirap	X	A/R
50	D277-8	Clamp	X	2

NOTES * Refer to Figure 28-37 for ships with optional pressure fueling system.
 ** Used with item 44.

Intentionally Blank

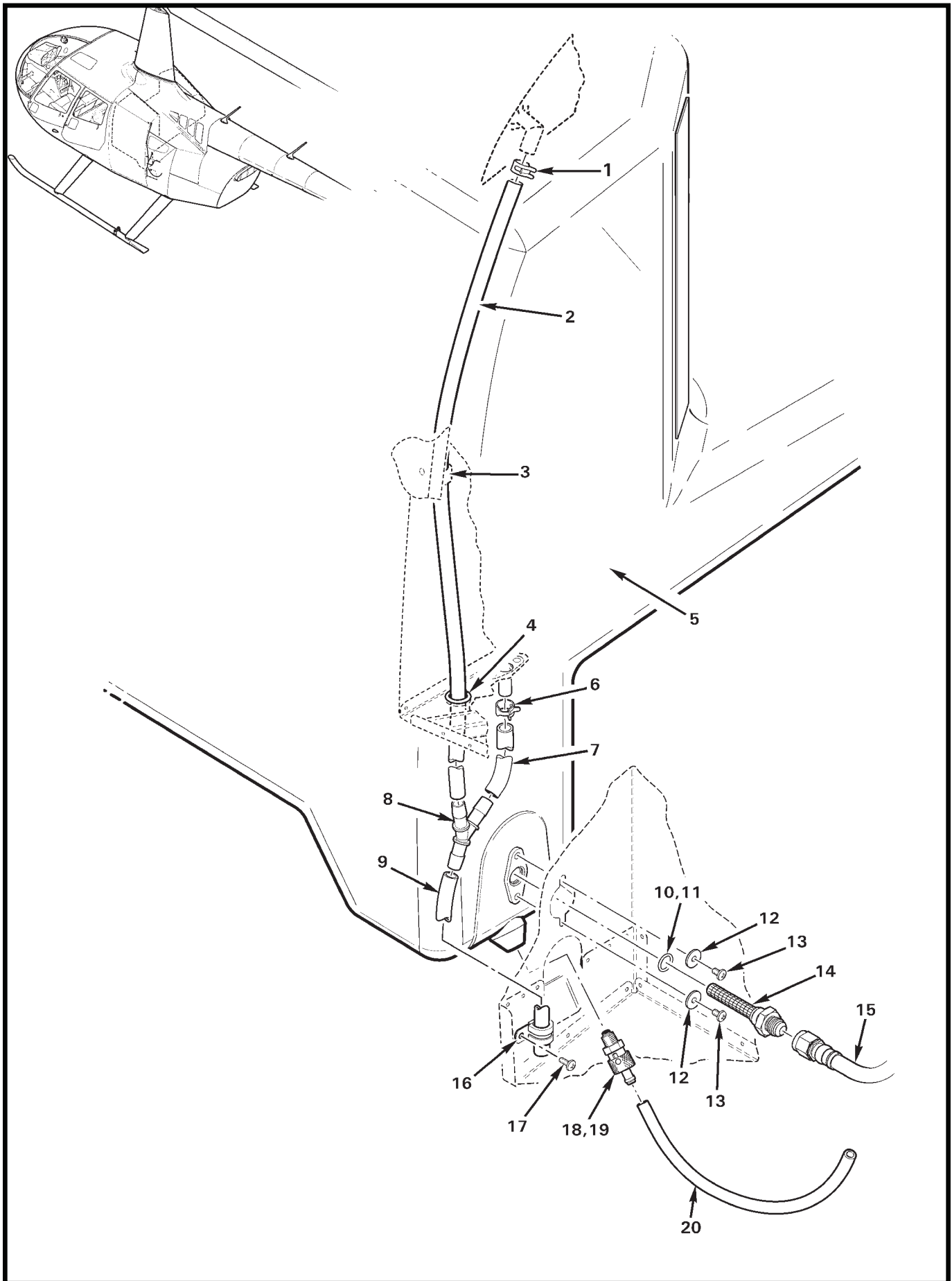


FIGURE AND INDEX NUMBER	PART NUMBER	DESCRIPTION	PARTS AVAIL	QTY PER ASSY
FUEL BLADDER ASSEMBLY – AFT COMPONENTS				
28-5-1	D277-9	Clamp	X	1
2	A729-44	Tube	X	1
3	G258-5	Clip (Ref)		
4	NAS557-8A	Grommet	X	1
5	G028-1	Bladder	X	1
6	D277-8	Clamp	X	1
7	A729-66	Tube	X	1
8	A457-2	Wye	X	1
9	A729-39	Tube	X	1
10	MS29512-06	Packing (o-ring; install using item 11)	X	1
11	A257-6	Grease	X	A/R
12	A141-17	Washer	X	2
13	MS27039C1-06	Screw	X	2
14	B254-3	Strainer – Fuel	X	1
15	D205-21	Hose (Ref, see Figure 28-9)		
16	MS21919WDG8	Clamp	X	1
17	MS27039C0806	Screw	X	1
18	A761-2	Valve – Drain (install using item 19 on threads)	X	1
19	B270-6	Sealant	X	A/R
20	A729-43	Tube	X	1

NOTES

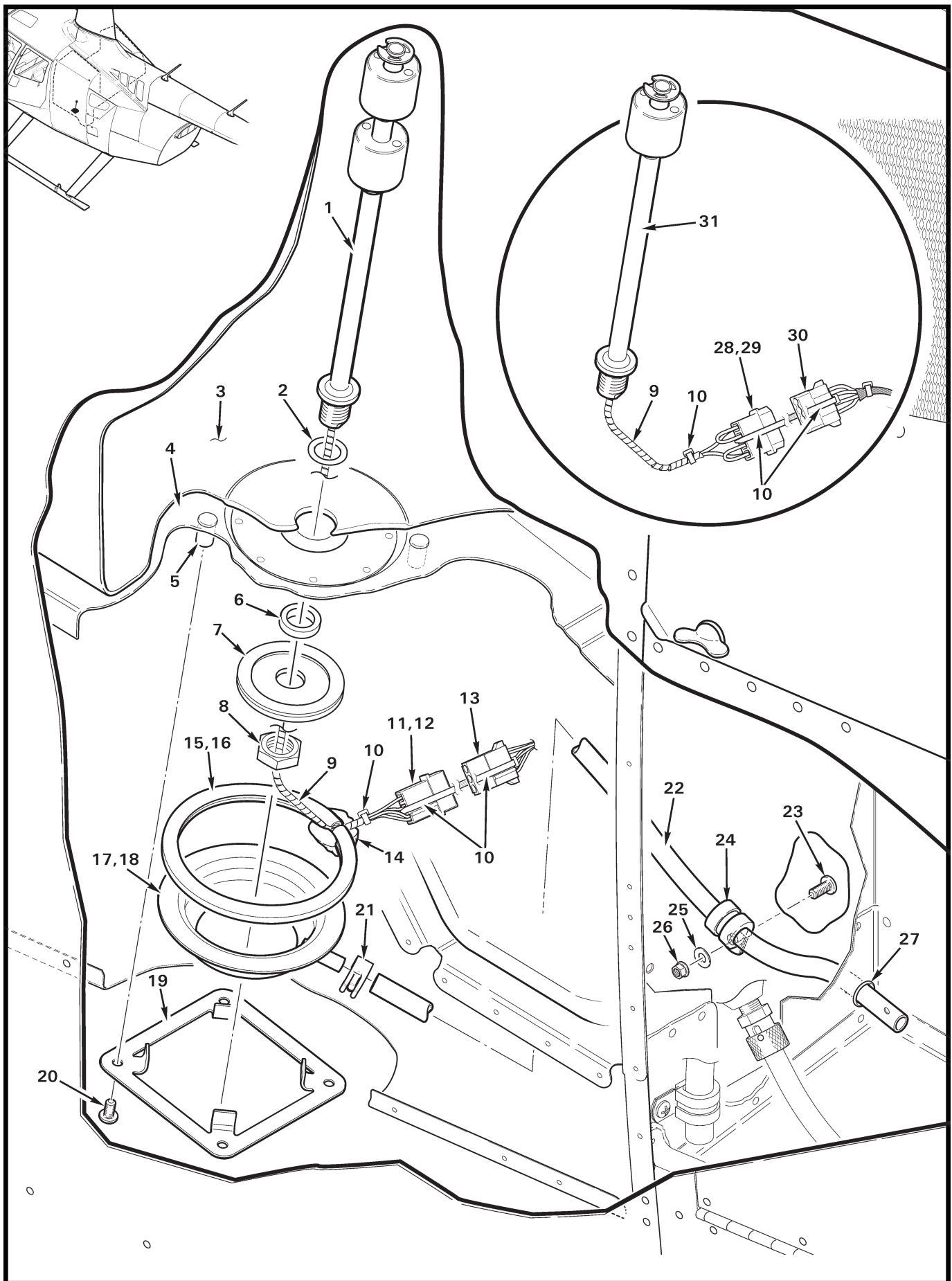


FIGURE AND INDEX NUMBER	PART NUMBER	DESCRIPTION	PARTS AVAIL	QTY PER ASSY
		LOW FUEL SWITCH AND DRAIN ASSEMBLY INSTALLATION		
28-7-1	A521-4	Switch Assembly – Low Fuel (dual; includes items 9,11, and 12)	X	1
2	MS29512-05	Packing (o-ring, lubricate with A257-6 grease)	X	1
3	G028-1	Bladder – Fuel Tank (Ref)		
4	G250-1	Tray (fuel tank sump, Ref)		
5	B318-1	Stand off (Ref)		
6	G915-8	Spacer	X	1
7	G915-9	Washer Assembly	X	1
8	A880-1005	Nut (or AN924-5D)	X	1
9	B161-2	Spirap	X	A/R
10	MS3367-4-9	Ty-Rap	X	2
11	B263-14	Housing	X	1
12	B263-1	Pin (pin no. 1 two wires, pin no.2 black heat shrink, pin no. 3 blue heat shrink).	X	3
13	F049-015	Harness Assembly (Ref)		
14	B270-5	Sealant (seals gap where wires pass through item 15)	X	A/R
15	A226-10	Seal (install using item 16)	X	A/R
16	B270-18	Adhesive	X	A/R
17	G930-1	Drain Assembly (Incl items 15, 16, and 18)	X	1
18	G930-2	Housing (Ref)		
19	G930-4	Retainer	X	1
20	MS27039C0805	Screw	X	4
21	D277-6	Clamp	X	A/R
22	A729-55	Tube	X	1
23	MS27039C0806	Screw	X	1
24	MS21919WDG6	Clamp	X	1
25	NAS1149FN816P	Washer	X	1
26	MS21042L08	Nut	X	1
27	NAS557-6A	Grommet	X	1
28	B263-16*	Housing	X	1
29	B263-1*	Pin (Pin 1 -58 & -196 wires, Pin 2 -196 wire, Pin 3 -61 & -197 wires, Pin 4 -197 wire)	X	2
30	F049-013*	GCU Harness Assembly (Ref, see R66 MM Chapter 98 for schematics)		
31	A521-2*	Switch Assembly – Low Fuel (single; includes items 9, 28, and 29)	X	1

NOTES * Earlier ships.

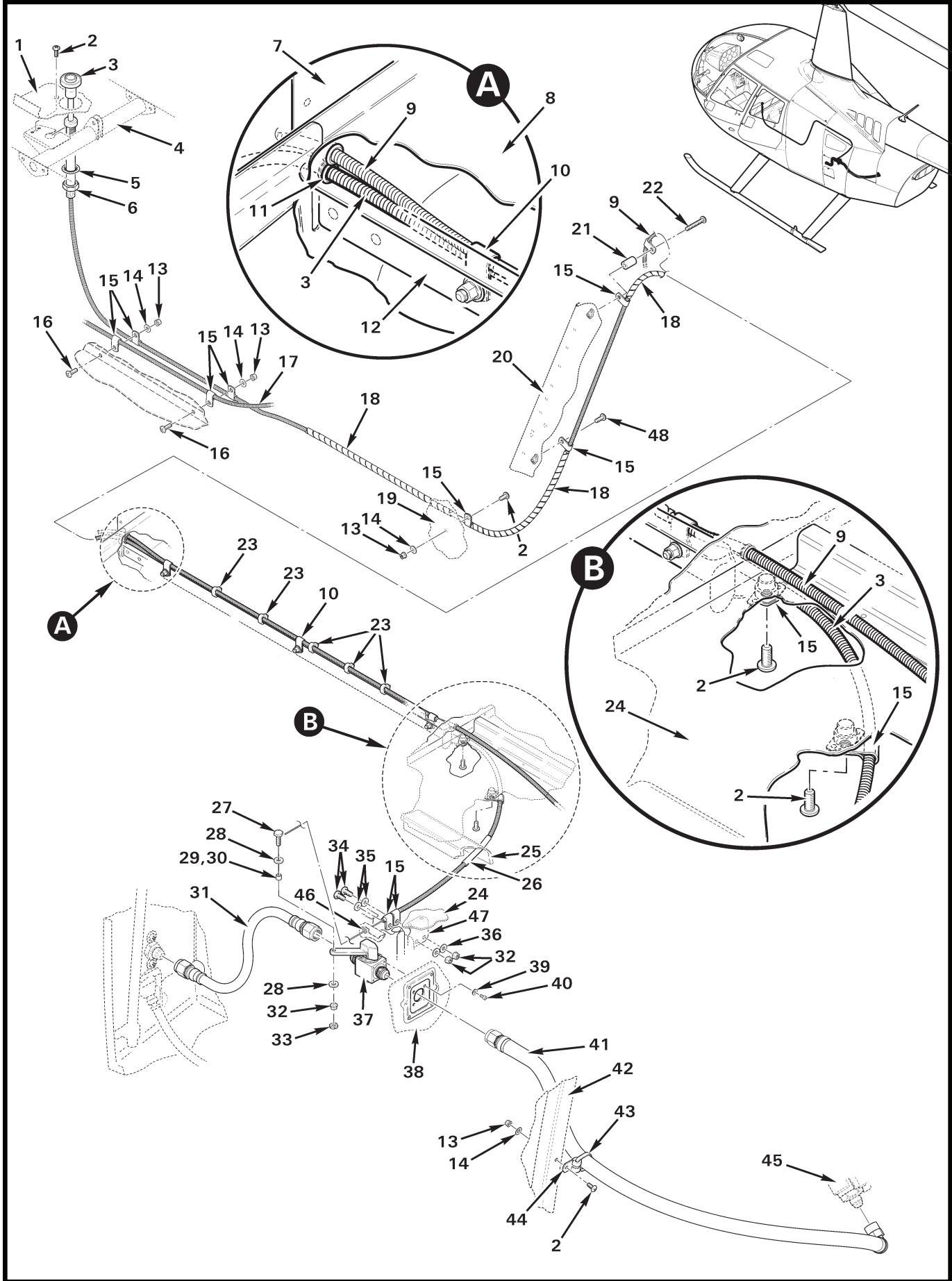


FIGURE AND INDEX NUMBER	PART NUMBER	DESCRIPTION	PARTS AVAIL	QTY PER ASSY
FUEL VALVE AND HOSES INSTALLATION				
28-9-1	F445-1	Cover Assembly (Ref)		
2	MS27039C0806	Screw	X	5
3	A522-11	Control – Fuel Valve (Incl items 5 and 6)	X	1
4	F348-1	Anchor Assembly (Ref)		
5	—	Washer	O	1
6	—	Nut	O	1
7	F386-2	Cover (Ref)		
8	G252-1	Panel (cargo compartment ceiling, Ref)		
9	C522-11	Control (actuator, Ref)		
10	AN742-3	Clamp (Ref; secures item 9)		
11	NAS557-4B	Grommet	X	1
12	G255-3	Stiffener (Ref)		
13	MS21042L08	Nut	X	4
14	NAS1149FN816P	Washer	X	4
15	AN742-3	Clamp	X	8
16	MS27039C0808	Screw	X	2
17	A522-14	Control – Cabin Heat (Ref)		
18	B161-4	Spirap	X	A/R
19	F293-1	Panel – Keel (forward, LH; Ref)		
20	F351-1	Brace (aft seat back, LH; Ref)		
21	A130-50	Spacer	X	1
22	MS27039C0817	Screw	X	1
23	MS3367-7-9	Ty-Rap (secures items 3 and 9 together)	X	6
24	G239-1	Panel (Ref)		
25	G240-7	Channel (Ref)		
26	B158-4	Heat Shrink	X	A/R
27	A462-4	Fitting	X	1
28	NAS1149E0363R	Washer	X	2
29	A130-48	Spacer (install using item 30)	X	1
30	A257-1	Grease	X	A/R
31	D205-21	Hose Assembly	X	1
32	D210-3	Nut	X	3
33	B330-7	Palnut	X	1
34	MS27039C1-07	Screw	X	2
35	NAS1149F0363P	Washer	X	2

NOTES

Continues

FIGURE AND INDEX NUMBER	PART NUMBER	DESCRIPTION	PARTS AVAIL	QTY PER ASSY
FUEL VALVE AND HOSES INSTALLATION (Cont'd)				
28-9-36	NAS1149F0332P	Washer	X	2
37	F670-1	Valve – Fuel Shutoff	X	1
38	F233-1	Firewall (Ref)		
39	NAS1149FN432P	Washer	X	4
40	NAS1352-04-4	Screw	X	4
41	B283-12	Hose Assembly	X	1
42	G923-1	Stiffener (Ref)		
43	MS3367-5-9	Ty-Rap	X	1
44	MS21919WDG3	Clamp	X	1
45	—	Fuel Inlet (engine; Ref)		
46	NAS557-3A	Grommet	X	1
47	G915-3	Bracket (Ref)		
48	MS27039C0809	Screw	X	1

NOTES

Intentionally Blank

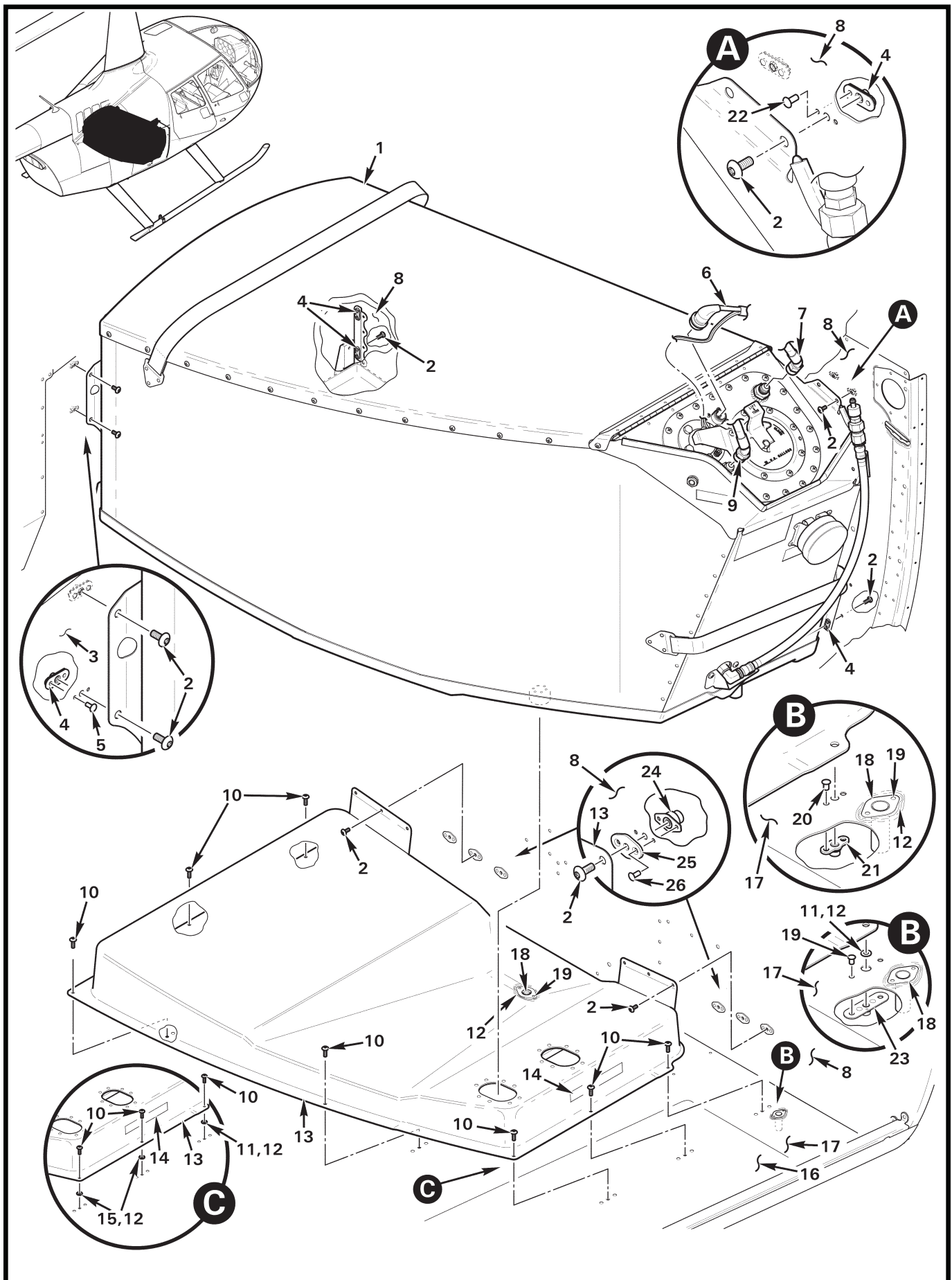


FIGURE AND INDEX NUMBER	PART NUMBER	DESCRIPTION	PARTS AVAIL	QTY PER ASSY
LARGE AUXILIARY FUEL TANK INSTALLATION				
28-13-1	G010-2	Aux Fuel Tank Assembly – Large (Ref, see Figure 28-15)		
2	B526-6	Screw	X	14
3	G251-1	Panel (Ref)		
4	MS21075L08E	Nutplate	X	8
5	B204-5	Rivet (or NAS1097AD3)	X	4
6	G768-10	Harness Assembly	X	1
7	D205-36	Hose Assembly – Vent/Return (Ref; see Figure 28-29)		
8	G259-1	Panel – Bulkhead (Ref)		
9	D205-36	Hose Assembly – Pump Line (Ref; see Figure 28-29)		
10	B526-8	Screw	X	7
11	NAS1149F0332P	Washer (install using item 12; earlier ships).	X	5
12	B270-1	Sealant	X	A/R
13	G755-1 *	Support Assembly (Incl item 14)	X	1
14	G682-29	Decal – "INSTALL FUEL TANK SUPPORT..."	X	1
15	NAS1149F0363P	Washer (install using item 12; earlier ships)	X	2
16	G242-5	Panel (Ref)		
17	G024-1	Floor Assembly (Ref)		
18	G762-15	Drain Weldment (install using item 12)	X	2
19	NAS9301B-4-02	Rivet	X	4
20	MS20426AD3	Rivet	X	26
21	MS21069L08K	Nutplate (if damaged, order item 23).	X	7
22	NAS1097AD3	Rivet	X	4
23	G762-13	Plate Assembly (Contact Technical Support for repair instructions.)	X	A/R
24	NAS1474A08	Nutplate	X	6
25	G766-5	Plate	X	6
26	MS20426AD3	Rivet	X	12

27	KI-239-2**	R66 Large Aux Fuel Tank Installation Kit Instructions	X	A/R
28	KI-239-3**	R66 Slimline Aux Fuel Tank Installation Kit Instructions	X	A/R
29	KI-239-5**	R66 Aux Fuel Tank Installation Upgrade Kit Instructions	X	A/R

NOTES * Revision H and subsequent support assemblies compatible with G010-2 (large) & G010-4 (small) aux fuel tank; earlier supports may be modified if KI-239-5 kit is installed.
 ** See www.robinsonheli.com for kit contents and instructions.

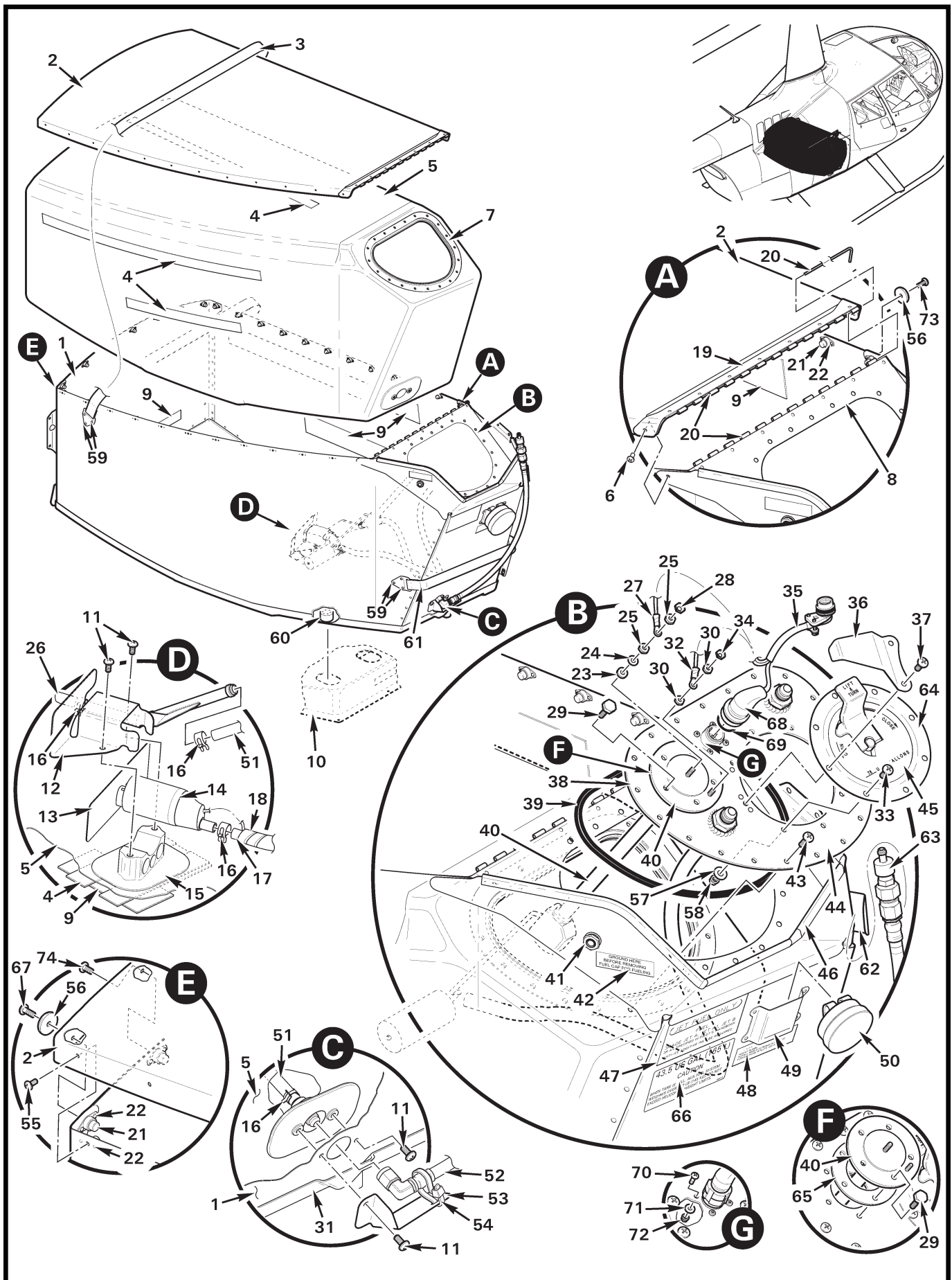


FIGURE AND INDEX NUMBER	PART NUMBER	DESCRIPTION	PARTS AVAIL	QTY PER ASSY
LARGE AUXILIARY FUEL TANK ASSEMBLY				
28-15-1	G010-2	Aux Fuel Tank Assembly – Large (Incl items 5, 8, 11 thru 18, 35 thru 42, 50 thru 54, 62, and 63)	X	1
2	G758-1	Cover	X	1
3	G762-9	Strap Assembly	X	1
4	B175-1	Hook Tape	X	A/R
5	G756-1	Bladder (Incl item 7)	X	1
6	MS27039C0807	Screw	X	3
7	G759-6	Ring	O	1
8	G754-1	Enclosure Assembly (Incl items 2, 3, 9, 19 thru 22, 49, 55, 56, 59 thru 61, and 68)	X	1
9	B175-4	Loop Tape	X	A/R
10	G755-1	Support Assembly (Ref; see Figure 28-13)		
11	MS27039C1-06	Screw	X	4
12	G764-1	Drain Weldment	X	1
13	FS22	Strainer	O	1
14	G765-1	Pump Assembly (Incl item 13)	X	1
15	G760-1	Mount Assembly	O	1
16	D277-8	Clamp	X	5
17	A729-74	Tube	X	1
18	B161-108	Spirap	X	A/R
19	G762-18	Strap	X	1
20	G762-12	Hinge	X	1
21	NAS1474A08	Nutplate	X	31
22	NAS1097AD3	Rivet	X	62
23	—	Spacer (Ref)		
24	0028-00431	Washer	O	1
25	0044-00408	Nut	O	2
26	A729-72	Tube	X	1
27	B260-3	Terminal (G768-2712W wire)	X	1
28	B330-6	Palnut	X	1
29	B289-4	Bolt	X	5
30	44-121	Nut	O	2
31	G757-1	Tray	O	1
32	B260-2	Terminal (G768-2712B wire)	X	1
33	MS27039C1-08	Screw	X	6

NOTES

Continues

FIGURE AND INDEX NUMBER	PART NUMBER	DESCRIPTION	PARTS AVAIL	QTY PER ASSY
LARGE AUXILIARY FUEL TANK ASSEMBLY (Cont'd)				
28-15-34	B330-5	Palnut	X	1
35	G768-10	Harness Assembly (sender/pump)	X	1
36	G271-1	Guard	X	1
37	MS27039C1-07	Screw (apply A257-9 anti-seize to threads)	X	2
38	G759-1	Cover Assembly (Incl items 33, 44, 57, and 58)	X	1
39	MS29513-263	Packing	X	1
40	F550-2	Fuel Sender (Incl items 23 thru 26, 30, 31, and 65)	X	1
41	RB9526	Jack (grounding point)	X	1
42	G682-32	Decal – "GROUND HERE BEFORE REMOVING FUEL CAP..."	X	1
43	MS27039C1-09	Screw (apply A257-9 anti-seize to threads)	X	20
44	G759-2	Cover	O	1
45	F689-1	Cap	X	1
46	A226-15	Trim	X	A/R
47	F654-5	Decal – "JET FUEL ONLY..."	X	1
48	G682-28	Decal – "FUEL TANK INSTALLATION..."	X	1
49	G769-4	Mount (Ref)		
50	MT183-1	Kit (Ref; see Figure 28-19)		
51	A729-73	Tube	X	1
52	D205-35	Hose Assembly	X	1
53	G762-11	Scupper	X	1
54	MS3367-7-9	Ty-Rap	X	1
55	MS27039C0806	Screw	X	26
56	G762-5	Bumper	X	4
57	NAS1149F0332P	Washer	X	6
58	D210-3	Nut	X	6
59	MS20470AD4	Rivet	X	12
60	G761-7	Pin	X	1
61	G762-8	Strap Assembly	X	1
62	G762-7	Angle	X	1
63	A761-2	Valve (install using B270-6 sealant on threads)	X	1
64	416-3B-1	Adapter	X	1
65	0015-00423	Gasket	X	1
66	G682-37	Decal – "43.5 US GAL (165 L) CAUTION – WHEN TANK..."	X	1
67	MS24694-S5	Screw	X	4

NOTES

Continues

FIGURE AND INDEX NUMBER	PART NUMBER	DESCRIPTION	PARTS AVAIL	QTY PER ASSY
LARGE AUXILIARY FUEL TANK ASSEMBLY (Cont'd)				
28-15-68	MS3106F12S-3S	Receptacle	O	1
	222A121-25/225	Boot	O	1
69	A215-019	O-ring (install using A257-6 grease)	X	1
70	90825A146	Screw	X	4
71	NAS620-4L	Washer	X	4
72	MS21042L04	Nut	X	4
73	MS24694-S6	Screw	X	1
74	MS24694-S3	Screw	X	5

NOTES

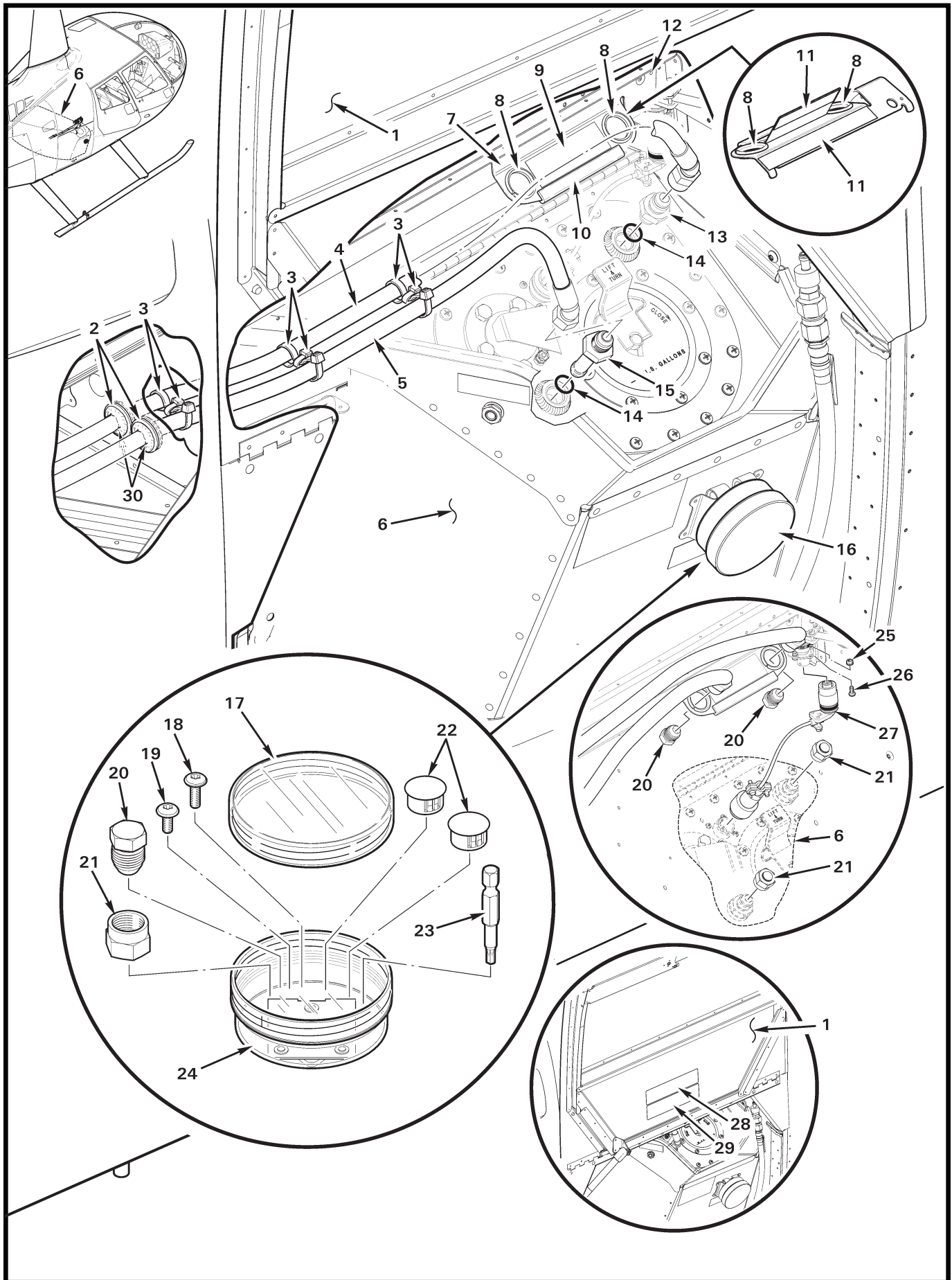


FIGURE AND INDEX NUMBER	PART NUMBER	DESCRIPTION	PARTS AVAIL	QTY PER ASSY
		LARGE AUXILIARY FUEL TANK – COMPONENTS		
28-19-1	G900-1	Door Assembly – Baggage (Ref)		
2	MS35489-16	Grommet	X	5
3	MS3367-7-9	Ty-Rap ([2] each location, [1] used as standoff)	X	6
4	D205-36	Hose Assembly – Vent/Return (Ref; see Figure 28-29)		
5	D205-36	Hose Assembly – Pump Line (Ref; see Figure 28-29)		
6	G010-2	Aux Fuel Tank Assembly – Large (Ref)		
7	G769-1	Bracket Assembly (Incl items 8 thru 11)	X	1
8	NAS557-12A	Grommet	X	2
9	G682-31	Decal (hose stowage/plugs installation instructions)	X	1
10	A226-11	Trim (3.3 inch length)	X	A/R
11	A701-7	Tape (double sided)	X	A/R
12	NAS9301B-4-02	Rivet	X	1
13	A880-906	Fitting (or AN815-6D)	X	1
14	MS29512-06	Packing (o-ring)	X	2
15	G764-5	Fitting	X	1
16	MT183-1	Kit (loose parts for when aux tank is removed; includes items 17 thru 24)	X	1
17	—	Cap	X	1
18	B526-8	Screw	X	7
19	B526-6	Screw	X	14
20	AN806-6D	Plug	X	2
21	AN820-6	Cap (or AN929-6)	X	2
22	2663	Hole Plug (DP-625)	X	2
23	7396A23*	Torx Bit	X	1
24	MT183-2	Jar Assembly (includes clip and item 17)	X	1
25	MS21042L04	Nut	X	1
26	MS35206-214	Screw	X	2
27	G768-10	Harness Assembly (Ref, see Figure 28-13)		
28	G682-40	Decal – “CAUTION...” (load maximums)	X	1
	G682-44	Decal – “CAUTION...” (load maximums; police and E.N.G.)	X	1
29	B850-37	Hebrew Decal (below G682-40 equivalent; see also Figure 11-17)	X	A/R
30	B270-1	Sealant	X	A/R

NOTES * McMaster-Carr part number.

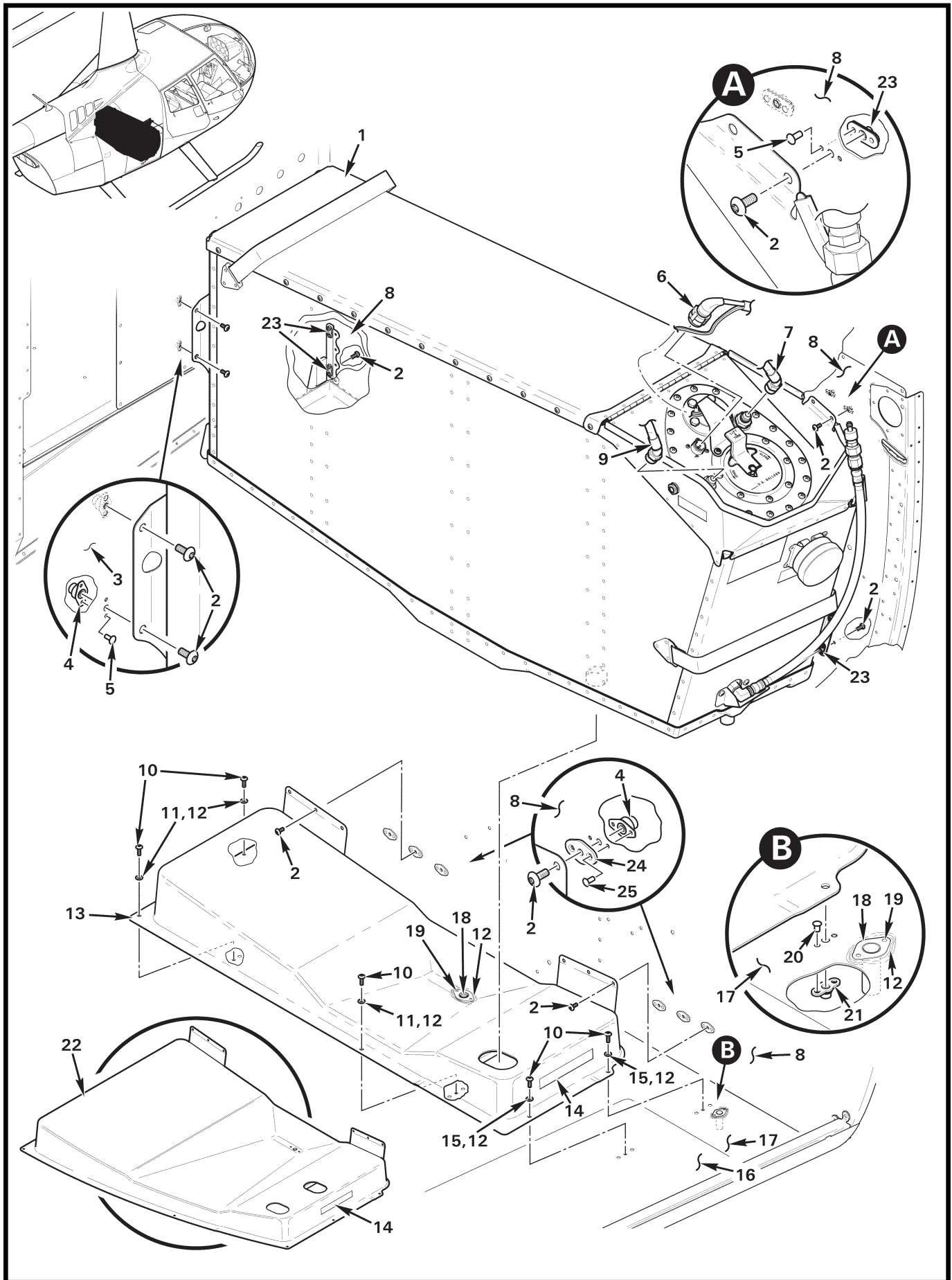


FIGURE AND INDEX NUMBER	PART NUMBER	DESCRIPTION	PARTS AVAIL	QTY PER ASSY
SMALL AUXILIARY FUEL TANK INSTALLATION				
28-21-1	G010-4	Aux Fuel Tank Assembly – Small (Ref, see Figure 28-23)		
2	B526-6	Screw	X	14
3	G248-8	Panel (Ref)		
4	NAS1474A08	Nutplate	X	8
5	NAS1097AD3	Rivet (or B204-5 in item 3)	X	18
6	G768-10	Harness Assembly	X	1
7	D205-36	Hose Assembly – Vent/Return (Ref; see Figure 28-29)		
8	G259-1	Panel – Bulkhead (Ref)		
9	D205-36	Hose Assembly – Pump Line (Ref; see Figure 28-29)		
10	B526-8	Screw	X	5
11	NAS1149F0332P	Washer (install using item 12; earlier aircraft, not required) . . .	X	3
12	B270-1	Sealant	X	A/R
13	G755-3	Support Assembly (Incl item 14)	X	1
14	G682-29	Decal – "INSTALL FUEL TANK SUPPORT..."	X	1
15	NAS1149F0363P	Washer (install using item 12; earlier aircraft, not required) . .	X	2
16	G242-5	Panel (Ref)		
17	G024-1	Floor Assembly (Ref)		
18	G762-15	Drain Weldment (install using item 12)	X	2
19	NAS9301B-4-02	Rivet	X	4
20	MS20426AD3	Rivet	X	16
21	MS21069L08K	Nutplate	X	5
22	G755-1*	Support Assembly (Incl item 14)	X	1
23	MS21075L08E	Nutplate	X	6
24	G766-5	Plate	X	6
25	MS20426AD3	Rivet	X	12

28	KI-239-3**	R66 Slimline Aux Fuel Tank Installation Kit Instructions	X	A/R

NOTES * Revision H and subsequent support assemblies compatible with G010-2 (large) & G010-4 (small) aux fuel tank.
 ** See www.robinsonheli.com for kit contents and instructions.

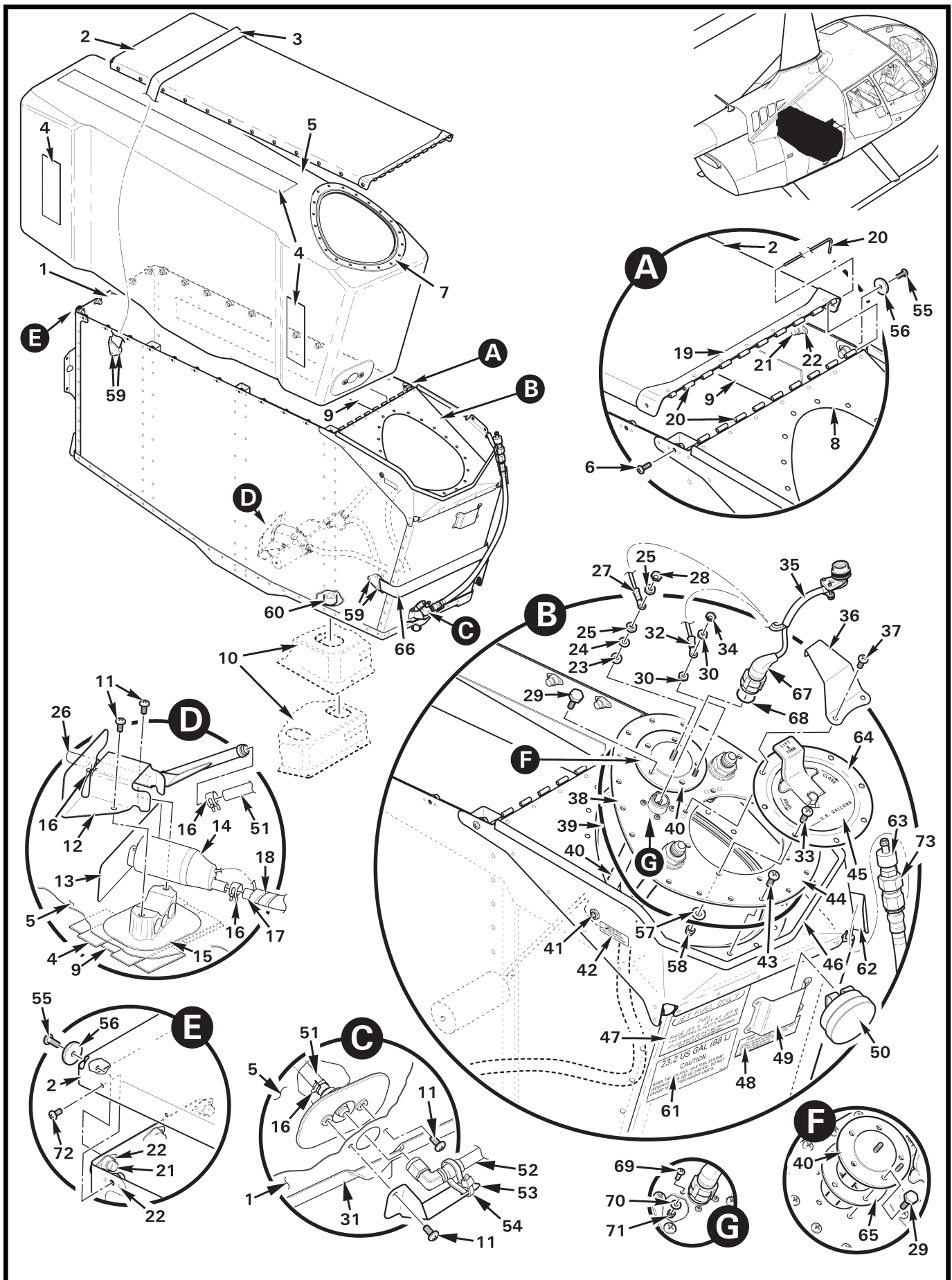


FIGURE AND INDEX NUMBER	PART NUMBER	DESCRIPTION	PARTS AVAIL	QTY PER ASSY
SMALL AUXILIARY FUEL TANK ASSEMBLY				
28-23-1	G010-4	Aux Fuel Tank Assembly – Small (Incl items 5, 8, 11 thru 18, 34, 36 thru 43, 45 thru 48, 50 thru 54, 61 thru 64)	X	1
2	G767-7	Cover	X	1
3	G762-19	Strap Assembly	O	1
4	B175-1	Hook Tape	X	A/R
5	G756-2	Bladder (Incl item 7 and 15)	X	1
6	MS27039C0807	Screw	X	1
7	G759-11	Ring	O	1
8	G754-2	Enclosure Assembly (Incl items 2, 3, 9, 19 thru 22, 55, 56, 59, 60 and 66)	X	1
9	B175-4	Loop Tape	X	A/R
10	G755-1	Support Assembly – Large (Ref; see Figure 28-13 and 28-21)		
	G755-3	Support Assembly – Small (Ref; see Figure 28-21)		
11	MS27039C1-06	Screw	X	4
12	G764-1	Drain Weldment	X	1
13	FS22	Strainer	O	1
14	G765-1	Pump Assembly (Incl item 13)	X	1
15	G760-1	Mount Assembly	O	1
16	D277-8	Clamp	X	5
17	A729-74	Tube	X	1
18	B161-108	Spirap	X	A/R
19	G753-4	Strap	X	1
20	G753-6	Hinge	X	1
21	NAS1474A08	Nutplate	X	29
22	NAS1097AD3	Rivet	X	58
23	—	Spacer (Ref)		
24	0028-00431	Washer	O	1
25	0044-00408	Nut	O	2
26	A729-72	Tube	X	1
27	B260-3	Terminal (G768-2712W wire)	X	1
28	B330-6	Palnut	X	1
29	B289-4	Bolt	X	5
30	44-121	Nut	O	2
31	G757-2	Tray	O	1
32	B260-2	Terminal (G768-2712B wire)	X	1

NOTES

Continues

FIGURE AND INDEX NUMBER	PART NUMBER	DESCRIPTION	PARTS AVAIL	QTY PER ASSY
SMALL AUXILIARY FUEL TANK ASSEMBLY (cont'd)				
28-23-33	MS27039C1-08	Screw	X	6
34	B330-5	Palnut	X	1
35	G768-10	Harness Assembly (sender/pump, Incl items 27 & 32)	X	1
36	G271-1	Guard	X	1
37	MS27039C1-07	Screw (apply A257-9 anti-seize to threads)	X	2
38	G759-7	Cover Assembly (Incl items 33, 44, 57, and 58)	X	1
39	MS29513-262	Packing	X	1
40	F550-3	Fuel Sender (Incl items 23 thru 26, 30, 31, and 65)	X	1
41	RB9526	Jack (grounding point)	X	1
	A130-6	Spacer (under nut)	X	1
	—	Washer (supplied with jack, one each side of panel)	O	2
42	G682-32	Decal – “GROUND HERE BEFORE REMOVING FUEL CAP...”	X	1
43	MS27039C1-09	Screw (apply A257-9 anti-seize to threads)	X	20
44	G759-8	Cover (small)	O	1
45	F689-1	Cap	X	1
46	A226-15	Trim	X	A/R
47	F654-5	Decal – “JET FUEL ONLY...”	X	1
48	G682-28	Decal – “FUEL TANK INSTALLATION...”	X	1
49	G769-4	Mount (Ref)		
50	MT183-1	Kit (Ref; see Figure 28-19)		
51	A729-73	Tube	X	1
52	D205-37	Hose Assembly	X	1
53	G762-11	Scupper	X	1
54	MS3367-7-9	Ty-Rap	X	1
55	MS24694-S6	Screw (front bumper)	X	1
	MS24694-S5	Screw (back and rear bumpers)	X	3
56	G762-5	Bumper	X	4
57	NAS1149F0332P	Washer	X	6
58	D210-3	Nut	X	6
59	MS20470AD4	Rivet	X	12
60	G761-7	Pin	X	1
61	G682-41	Decal – “23.2 US GAL (88)L CAUTION – WHEN TANK IS...”	X	1
62	G762-7	Angle	X	1
63	A761-2	Valve (install using B270-6 sealant on threads)	X	1

NOTES

FIGURE AND INDEX NUMBER	PART NUMBER	DESCRIPTION	PARTS AVAIL	QTY PER ASSY
SMALL AUXILIARY FUEL TANK ASSEMBLY (Cont'd)				
28-23-64	416-3B-1	Adapter	X	1
65	0015-00423	Gasket	X	1
66	G762-8	Strap Assembly	O	1
67	MS3106F12S-3S	Receptacle	O	1
	222A121-25/225	Boot	O	1
68	A215-019	O-ring	X	1
69	90825A146	Screw	X	4
70	NAS620-4L	Washer	X	4
71	MS21042L04	Nut	X	4
72	MS27039C0806	Screw	X	24
73	G764-6	Adapter	X	1

NOTES

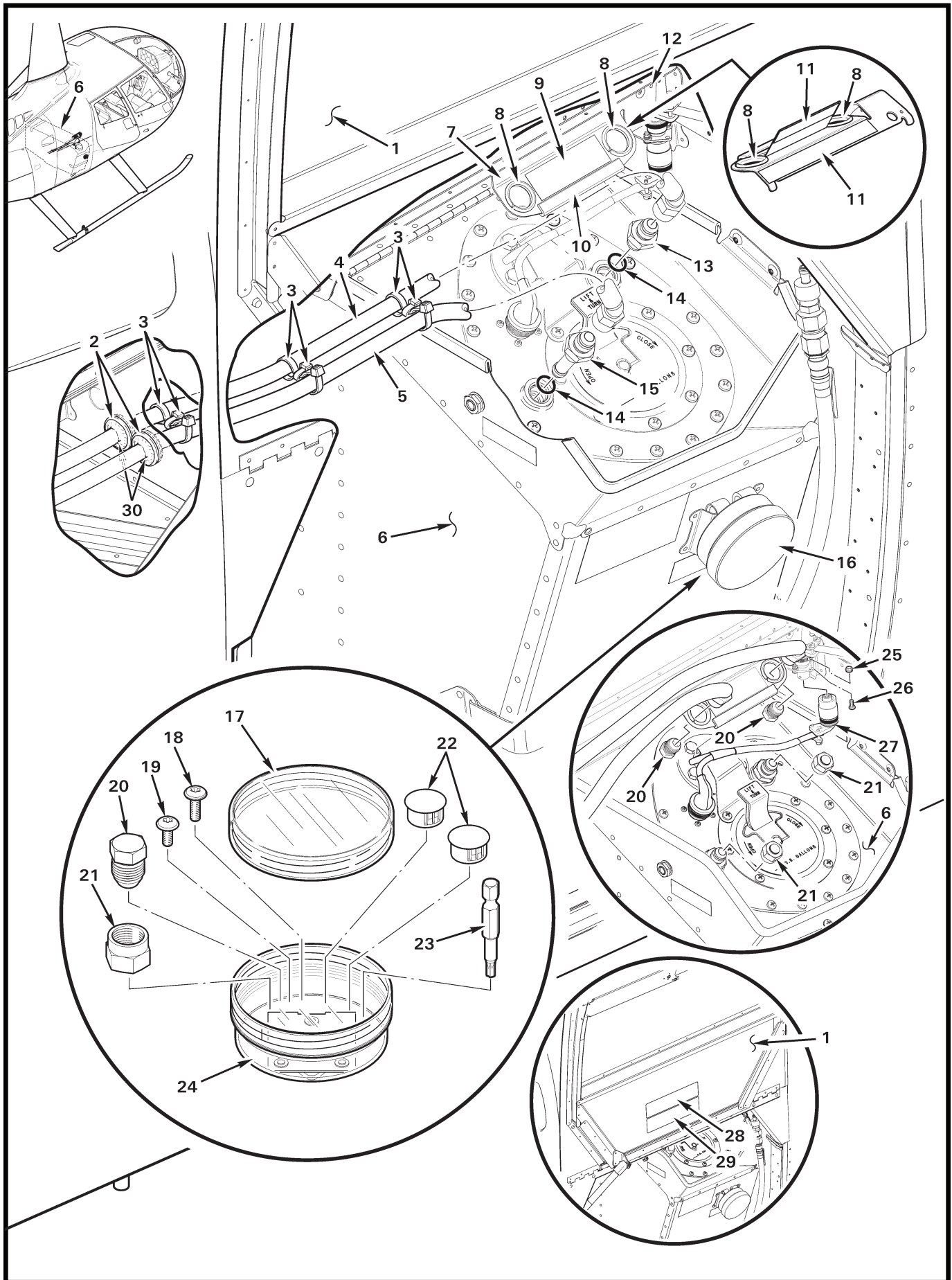


FIGURE AND INDEX NUMBER	PART NUMBER	DESCRIPTION	PARTS AVAIL	QTY PER ASSY
		SMALL AUXILIARY FUEL TANK – COMPONENTS		
28-27-1	G900-1	Door Assembly – Baggage (Ref)		
2	MS35489-16	Grommet	X	5
3	MS3367-7-9	Ty-Rap ([2] each location, [1] used as standoff)	X	6
4	D205-36	Hose Assembly – Vent/Return (Ref; see Figure 28-29)		
5	D205-36	Hose Assembly – Pump Line (Ref; see Figure 28-29)		
6	G010-4	Tank Assembly – Small Aux (Ref)		
7	G769-1	Bracket Assembly (Incl items 8 thru 11)	X	1
8	NAS557-12A	Grommet	X	2
9	G682-31	Decal (hose stowage/plugs installation instructions)	X	1
10	A226-11	Trim (3.3 inch length)	X	A/R
11	A701-7	Tape (double sided)	X	A/R
12	NAS9301B-4-02	Rivet	X	1
13	A880-906	Fitting (or AN815-6D)	X	1
14	MS29512-06	Packing (o-ring)	X	2
15	G764-5	Fitting	X	1
16	MT183-1	Kit (loose parts for when aux tank removed; includes items 17 thru 24)	X	1
17	—	Cap	X	1
18	B526-8	Screw	X	7
19	B526-6	Screw	X	14
20	AN806-6D	Plug	X	2
21	AN820-6	Cap (or AN929-6)	X	2
22	2663	Hole Plug (DP-625)	X	2
23	7396A23*	Torx Bit	X	1
24	MT183-2	Jar Assembly (includes clip and item 17)	X	1
25	MS21042L04	Nut	X	2
26	MS35206-214	Screw	X	2
27	G768-10	Harness Assembly (Ref, see Figure 28-13)		
28	G682-40	Decal – “CAUTION...” (load maximums)	X	1
29	B850-37	Hebrew Decal (below G682-40 equivalent; see also Figure 11-17)	X	A/R
30	B270-1	Sealant	X	A/R

NOTES * McMaster-Carr part number.

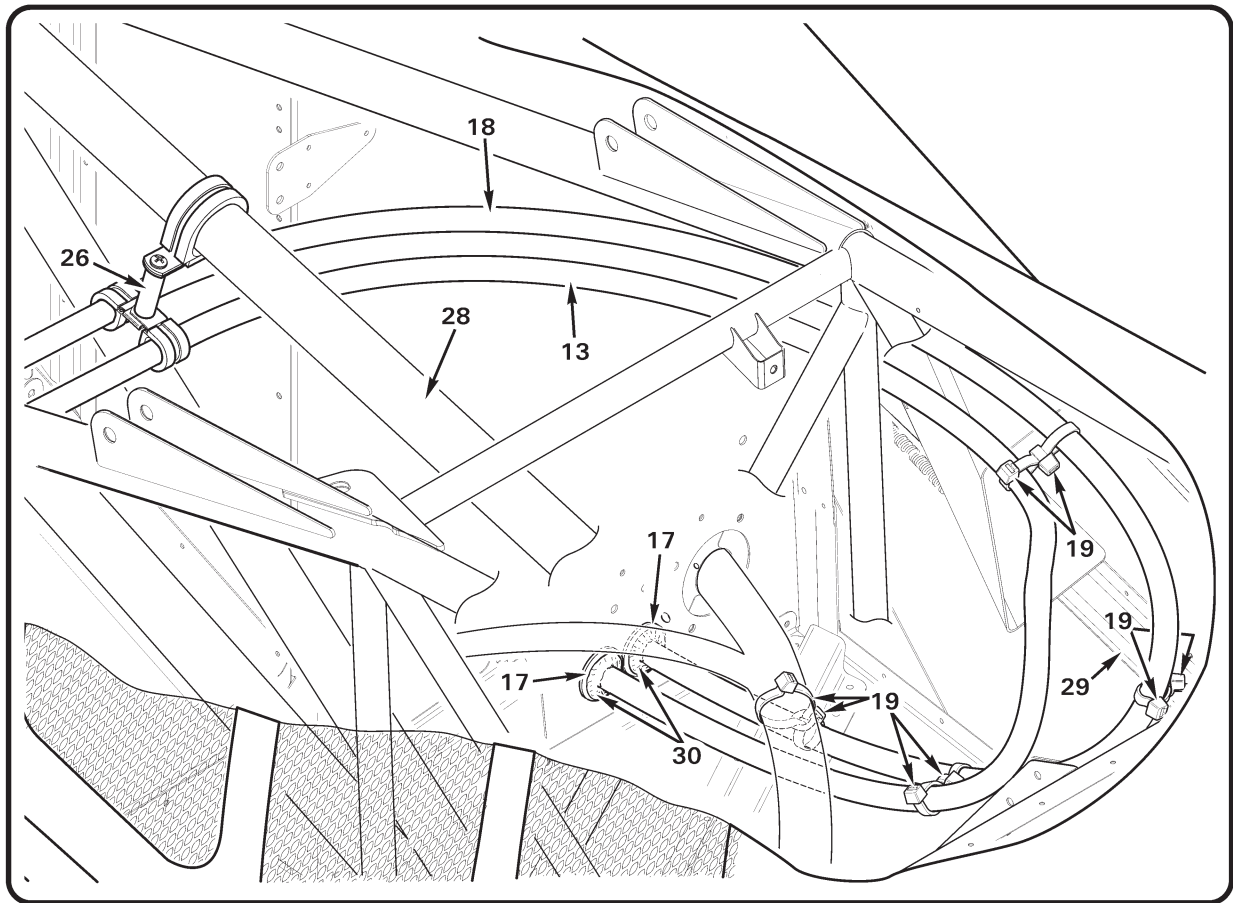
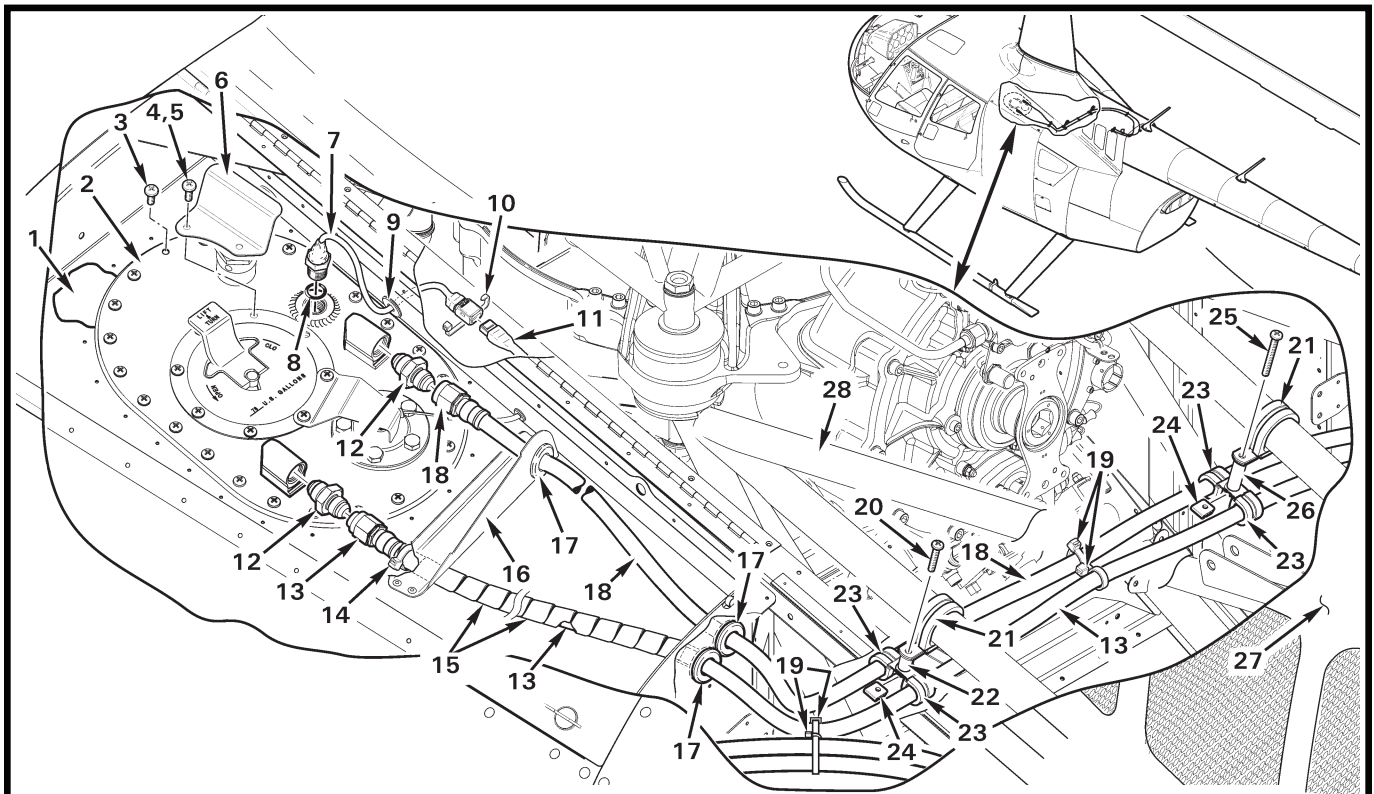


FIGURE AND INDEX NUMBER	PART NUMBER	DESCRIPTION	PARTS AVAIL	QTY PER ASSY
AUXILIARY FUEL TANK – HOSE INSTALLATION				
28-29-1	G028-1	Bladder Assembly (Ref; main)		
2	F250-10	Cover Assembly	X	1
3	MS27039C1-06	Screw (install using item 5)	X	24
4	MS27039C1-07	Screw (install using item 5)	X	2
5	A257-9	Anti-Seize	X	A/R
6	G764-7	Shield	X	1
7	G768-11	Sensor Assembly (install using item 8; finger tighten only) . . .	X	1
8	MS29512-05	Packing	X	1
9	MS35489-2	Grommet	X	1
10	MS3367-4-9	Ty-Rap	X	A/R
11	D269-2	Receptacle (Ref)		
	F859-2703	Wire (Ref)		
	F859-2706	Wire (Ref)		
	F859-2707	Wire (Ref)		
12	A880-906	Fitting (or AN815-6D)	X	2
13	D205-36	Hose Assembly – Vent/Return	X	1
14	MS3367-7-9	Ty-Rap	X	A/R
15	B161-108	Spirap	X	A/R
16	G913-4	Strut (Ref)		
17	MS35489-16	Grommet	X	5
18	D205-36	Hose Assembly – Pump Line	X	1
19	MS3367-7-9	Ty-Rap ([2] each location, [1] used as standoff)	X	8
20	MS27039C0818	Screw	X	1
21	MS21919WDG18	Clamp	X	2
22	A130-38	Spacer	X	1
23	MS21919WDG9	Clamp	X	4
24	B162-2	Clipnut	X	2
25	MS27039C0828	Screw	X	1
26	C130-61	Spacer	X	1
27	F706-1	Cowling (Ref)		
28	F020-1	Upper Frame Assembly (Ref)		
29	G912-4	Stiffener (Ref)		
30	B270-1	Sealant (Ref; see Figures 28-19, and 28-27)		

NOTES

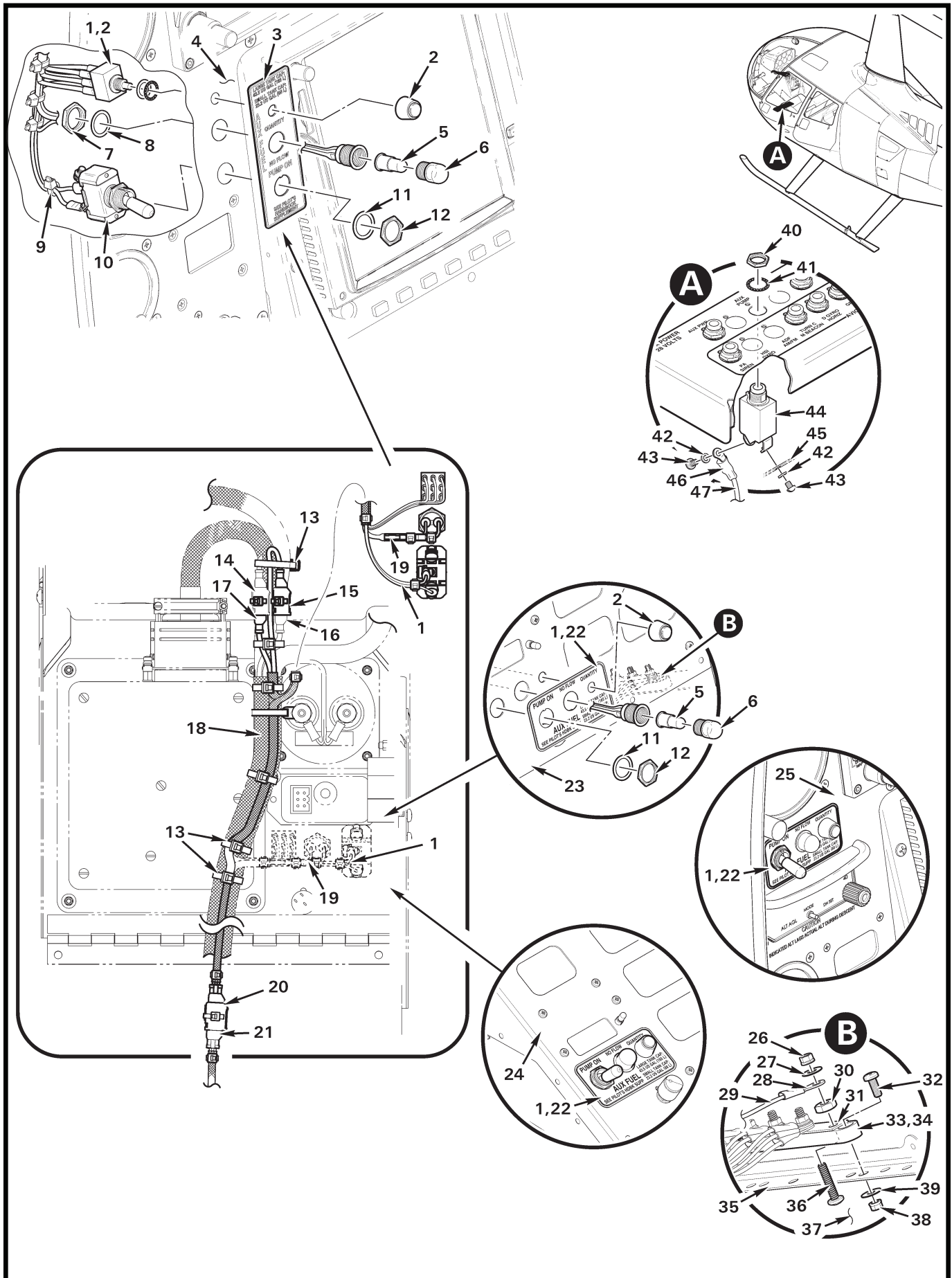


FIGURE AND INDEX NUMBER	PART NUMBER	DESCRIPTION	PARTS AVAIL	QTY PER ASSY
		AUXILIARY FUEL TANK – ELECTRICAL COMPONENTS		
28-31-1	G768-1	Control Panel Harness Assembly (Incl items 2, 3, 5 thru 13, 15, 17, 19, and 20)	X	1
2	B227-9	Switch Assembly (includes washer, lockwasher, and cap as shown)	X	1
3	G768-13	Panel (vertical orientation; large and small tank)	X	1
4	G065	Face Assembly (Ref; G060 console)		
5	B196-21	Lamp	X	1
6	B198-1	Light – Warning (amber; includes items 7 and 8)	X	1
7	—	Nut	O	1
8	—	Washer	O	1
9	MS3367-4-9	Ty-Rap	X	7
10	B300-4	Switch Assembly (Incl items 11 and 12)	X	1
	AT406B	Cap	X	1
11	—	Washer	O	1
12	—	Nut	O	1
13	MS3367-5-0	Ty-Rap	X	A/R
14	D269-1	Plug (G716 or G717 wire harness)	X	1
	-2033	Wire (Ref)		
	-2034	Wire (Ref)		
15	D269-1	Plug	X	1
	G768-2713	Wire (Ref)		
16	D269-2	Receptacle (G716 or G717 wire harness)	X	1
	-2033	Wire (Ref)		
	-2034	Wire (Ref)		
17	D269-2	Receptacle	X	1
	-2714	Wire (Ref)		
18	G716/G717	Harness Assembly (Ref)		
19	D275-101	Diode (1N4005G)	X	1
	B267-5	Solder Splice	X	1
	B158-2	Heat Shrink	X	A/R
20	D269-5	Plug	X	1
	D269-22	Backshell	X	1
	B158-2	Heat Shrink	X	A/R
21	D269-6	Receptacle	X	1
	F859	Wire Harness (Ref)		
22	G768-12	Panel (horizontal orientation; large and small tank)	X	1

NOTES

Continues

FIGURE AND INDEX NUMBER	PART NUMBER	DESCRIPTION	PARTS AVAIL	QTY PER ASSY
AUXILIARY FUEL TANK – ELECTRICAL COMPONENTS (Cont'd)				
28-31-23	G054-4	Face Assembly (Ref; G050 console, "high")		
24	G054-8	Face Assembly (Ref; G050 console, "low")		
25	G065-35	Face Assembly (Ref; G060 console with radar altimeter installed)		
26	MS21042L08	Nut	X	1
27	NAS1149FN816P	Washer	X	1
28	B260-3	Terminal (Ref)		
29	F859-2786	Wire (Ref; test switch ground)		
30	B301-8	Nut	X	1
31	A448-10	Bus Bar	X	1
32	MS35206-228	Screw	X	2
33	C448-2	Block Assembly (Incl items 30, 31, and 36)	X	1
34	C448-5	Block	X	1
35	F365-1	Angle (Ref)		
36	B567-43	Screw	X	4
37	F359-2	Panel (Ref; RH)		
38	MS21042L06	Nut	X	1
39	NAS1149FN616P	Washer	X	2
40	—	Nut	O	1
41	—	Washer	O	1
42	—	Washer	O	2
43	—	Screw	O	2
44	B297-5	Circuit Breaker (5 amp)	X	1
45	A448	Bus Bar	X	1
46	B260-2	Terminal	X	1
47	-2699	Wire (Ref; earlier aircraft with G655-3 time delay installed)		
	-2700	Wire (Ref; aux fuel tank)		

NOTES

Intentionally Blank

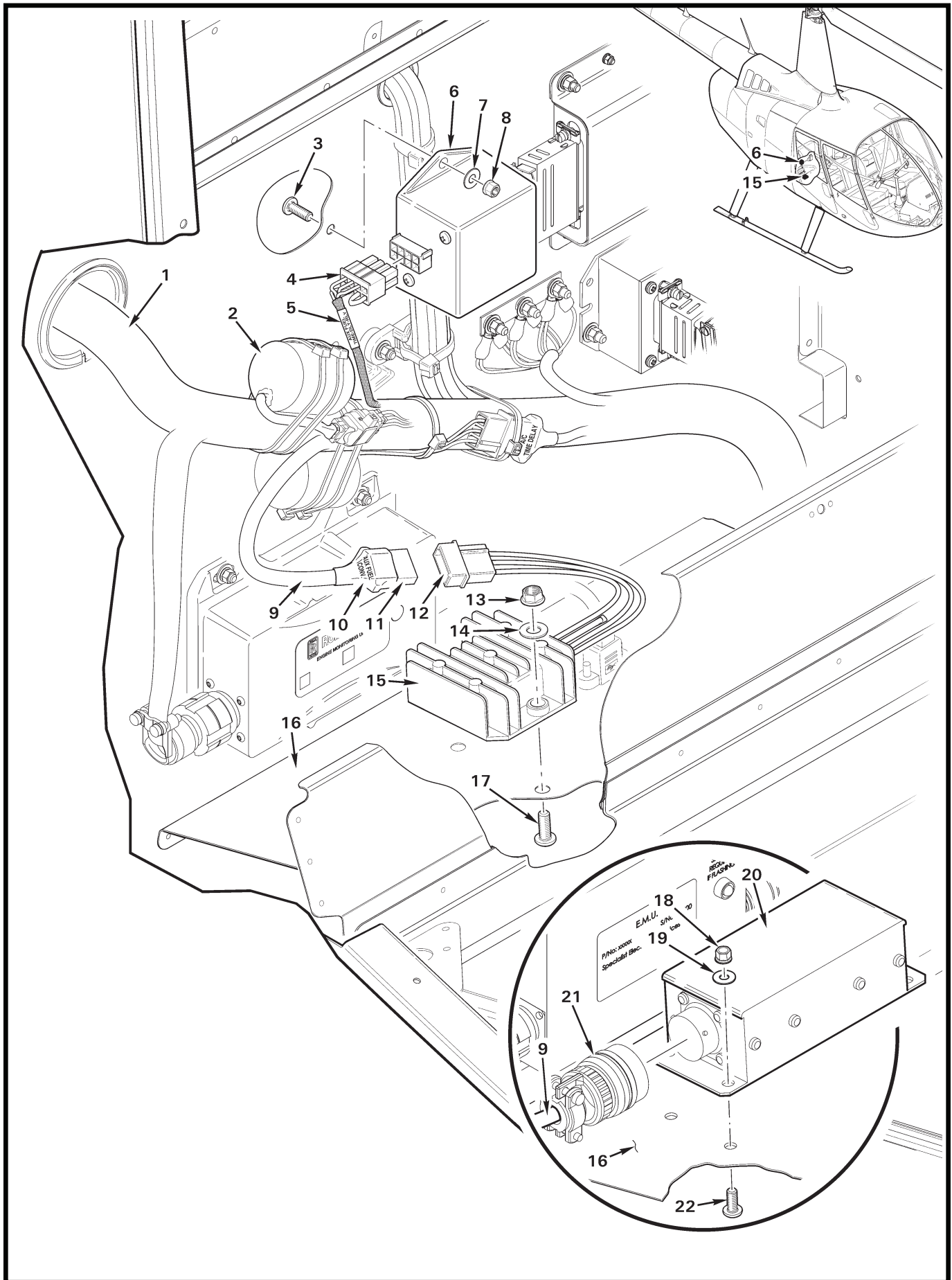


FIGURE AND INDEX NUMBER	PART NUMBER	DESCRIPTION	PARTS AVAIL	QTY PER ASSY
		AUXILIARY FUEL TANK – ELECTRICAL COMPONENTS		
28-35-1	F859	Wire Harness Assembly (Ref; includes items 4 and 5)		
2	G656-1	Module Assembly (Ref)		
3	MS27039C0807	Screw	X	2
4	39-01-2085	Housing	X	1
	39-00-0039	Socket	X	7
	RNC55H1403FS	Resistor (not shown)	X	1
	B158-2	Heat Shrink (cover resistor)	X	A/R
5	B158-6	Heat Shrink (labeled "AUX FUEL TIME DLY RLY")	X	A/R
6	XESR10-S01-FP-0787	Time Delay Relay	X	1
7	NAS1149FN816P	Washer	X	2
8	MS21042L08	Nut	X	2
9	F859-2697	Wire (Ref)		
	F859-2698	Wire (Ref)		
	F859-2702	Wire (Ref)		
	F859-2715	Wire (Ref)		
10	B158-10	Heat Shrink (labeled "AUX FUEL CONV")	X	1
11	B263-35	Housing	X	1
	B263-2	Socket	X	3
12	B263-34	Housing	X	1
	B263-3	Pin	X	3
13	D210-3	Nut	X	2
14	NAS1149F0332P	Washer	X	2
15	G768-7	Converter – Power (28-to-14-volt, includes item 12)	X	1
16	F679-2	Cover (Ref, RH)		
17	MS27039C1-08	Screw	X	4
18	MS21042L08*	Nut	X	4
19	NAS1149FN816P*	Washer	X	4
20	LT-46D*	Converter – Power (28-to-14-volt)	X	1
21	MS3116F14-5S*	Plug	X	1
22	MS27039C0805*	Screw	X	4

NOTES * Earlier R66's.

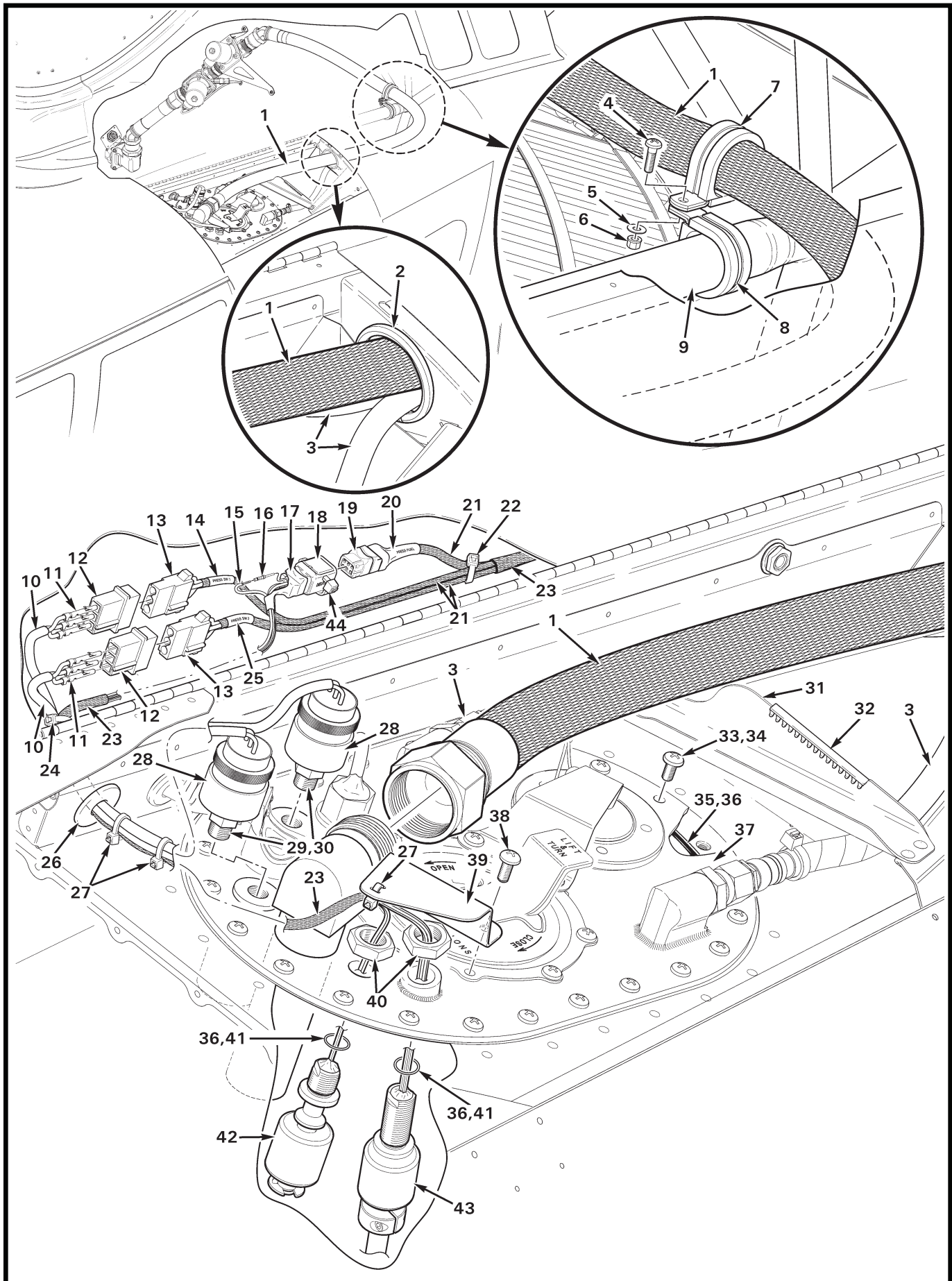


FIGURE AND INDEX NUMBER	PART NUMBER	DESCRIPTION	PARTS AVAIL	QTY PER ASSY
PRESSURE FUELING SYSTEM – MAIN FUEL PORT				
28-37-1	D205-44	Hose Assembly	X	1
2	NAS557-28A	Grommet (for ships with optional aux fuel tank)	X	1
	MS35489-27	Grommet (for ships without optional aux fuel tank; not shown)	X	1
3	D205-36	Hose Assembly (Ref; optional fuel tank installation shown)		
4	MS27039C0809	Screw	X	1
5	NAS1149FN816P	Washer	X	1
6	MS21042L08	Nut	X	1
7	MS21919WDG19	Clamp	X	1
8	MS21919WDG18	Clamp	X	1
9	F020-1	Frame Assembly – Upper (Ref)		
10	B158-704	Heat Shrink	X	A/R
11	B263-1	Pin	X	3
12	B263-14	Housing	X	2
13	B263-15	Housing	X	2
	B263-2	Socket	X	4
14	B158-4	Heat Shrink (labeled “PRESS SW 1”)	X	A/R
15	—	Wire (typical, Ref)		
16	M39029/58-360	Pin	X	6
17	B158-6	Heat Shrink	X	A/R
18	D269-5	Plug (includes [6] M39029/58-360 pins)	X	1
19	D269-6	Receptacle (includes [6] M39029/57-354 sockets)	X	1
	B267-5	Splice (not shown)	X	2
20	B158-6	Heat Shrink (labeled “PRESS FUEL”)	X	A/R
21	B266-4	Sleeving	X	A/R
22	MS3367-5-9	Ty-rap	X	A/R
23	B266-8	Sleeving	X	A/R
24	MS3367-4-9	Ty-rap	X	A/R
25	B158-4	Heat Shrink (labeled “PRESS SW 2”)	X	A/R
26	MS35489-7	Grommet	X	1
27	MS3367-4-0	Ty-rap	X	A/R
28	D745-7	Switch Assembly – Pressure (Includes switch, wires, and items 10 and 11, assembled [does not include item 12]. Install using item 29 or 30 on threads.)	X	2
29	B270-6	Sealant	X	A/R
30	A701-11	Tape (Teflon)	X	A/R

NOTES

Continues

FIGURE AND INDEX NUMBER	PART NUMBER	DESCRIPTION	PARTS AVAIL	QTY PER ASSY
PRESSURE FUELING SYSTEM – MAIN FUEL PORT (Cont’d)				
28-37-31	G913-4	Strut (Ref)		
	32 A225-1	Grommet	X	A/R
	33 MS27039C1-06	Screw (install using item 34)	X	26
	34 A257-9	Anti-seize	X	A/R
	35 MS29513-270	Packing (install using item 36)	X	1
	36 A257-6	Grease	X	A/R
	37 F250-15	Cover Assembly (for ships with optional aux fuel tank)	X	1
	F250-12	Cover Assembly (for ships without optional aux fuel tank; not shown)	X	1
	38 MS27039C1-07	Screw	X	2
	39 G989-7	Shield	X	1
	40 A880-1005	Nut	X	2
	41 MS29512-05	Packing (install using item 36)	X	2
	42 A521-6	Switch Assembly (includes switch and wires, assembled; does not include item 16)	X	1
	43 A521-7	Switch Assembly (includes switch and wires, assembled; does not include item 16)	X	1
	44 MS3367-4-9	Ty-rap (locks connector).	X	1

NOTES

Intentionally Blank

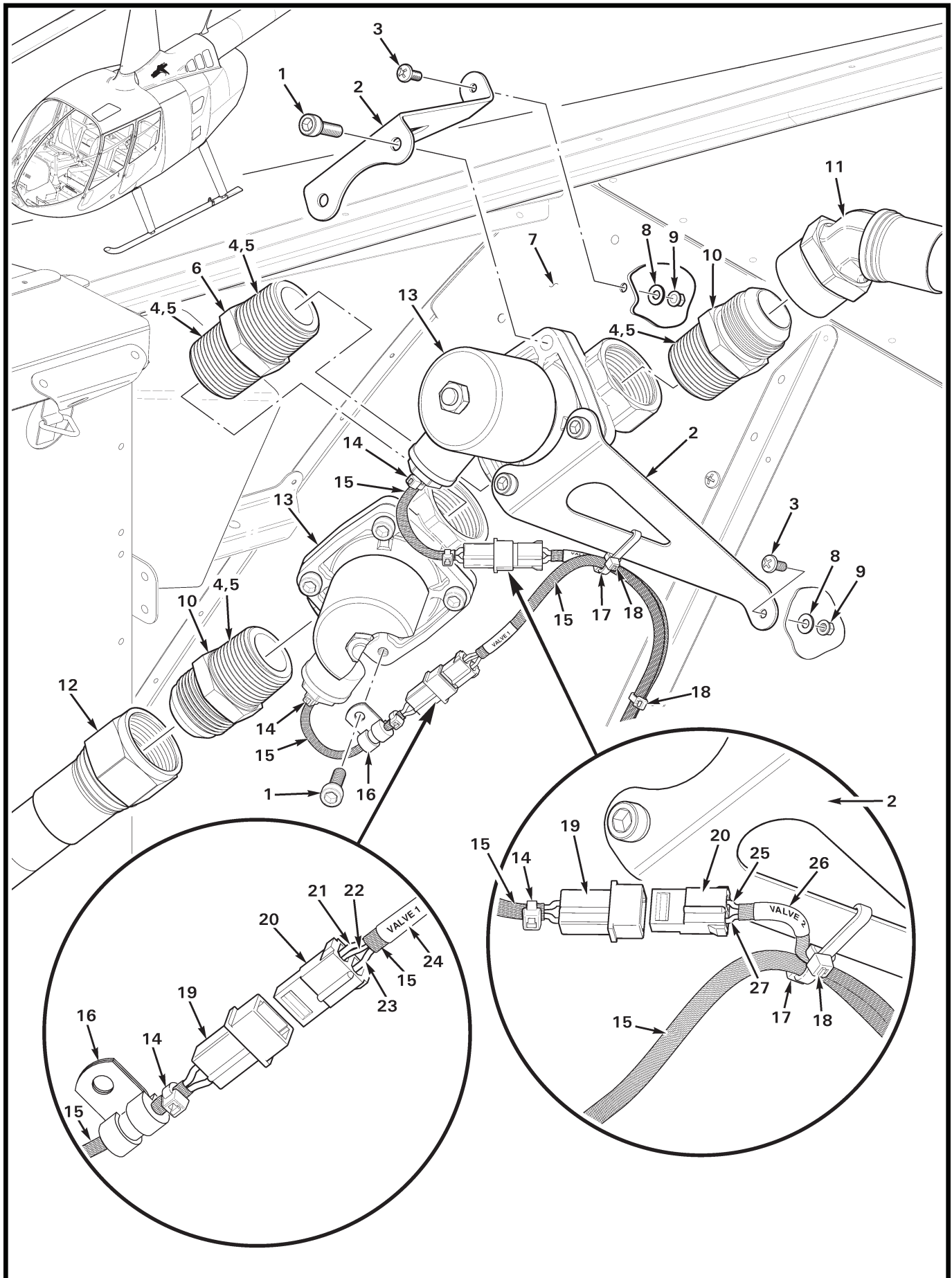


FIGURE AND INDEX NUMBER	PART NUMBER	DESCRIPTION	PARTS AVAIL	QTY PER ASSY
PRESSURE FUELING SYSTEM – SHUT-OFF VALVE ASSEMBLIES				
28-41-1	—	Screw	O	8
2	G989-8	Bracket	X	2
3	MS27039C0806	Screw	X	2
4	B270-6	Sealant	X	A/R
5	A701-11	Tape (Teflon)	X	A/R
6	10375	Adapter (install using item 4 or 5 on threads)	X	1
7	F234-1	Firewall (Ref)		
8	NAS1149FN816P	Washer	X	2
9	MS21042L08	Nut	X	2
10	10228	Fitting (install using item 4 or 5 on threads)	X	2
11	D205-44	Hose Assembly (Ref)		
12	D205-45	Hose Assembly (Ref)		
13	G992-1	Valve Assembly (Incl items 14, 15, and 19)	X	2
14	MS3367-4-0	Ty-rap	X	4
15	B266-4	Sleeving	X	A/R
16	MS21919WDG2	Clamp	X	1
17	MS3367-5-9	Ty-rap	X	1
18	MS3367-4-9	Ty-rap	X	A/R
19	B263-12	Housing	X	2
	B263-1	Pin	X	2
20	B263-13	Housing	X	2
	B263-2	Socket	X	2
21	G991-3164	Wire (Ref)		
22	G991-3184	Wire (Ref)		
23	G991-3163	Wire (Ref)		
24	B158-4	Heat Shrink (labeled "VALVE 1")	X	A/R
25	G991-3184	Wire (Ref)		
26	B158-404	Heat Shrink (labeled "VALVE 2")	X	A/R
27	G991-3183	Wire (Ref)		

NOTES

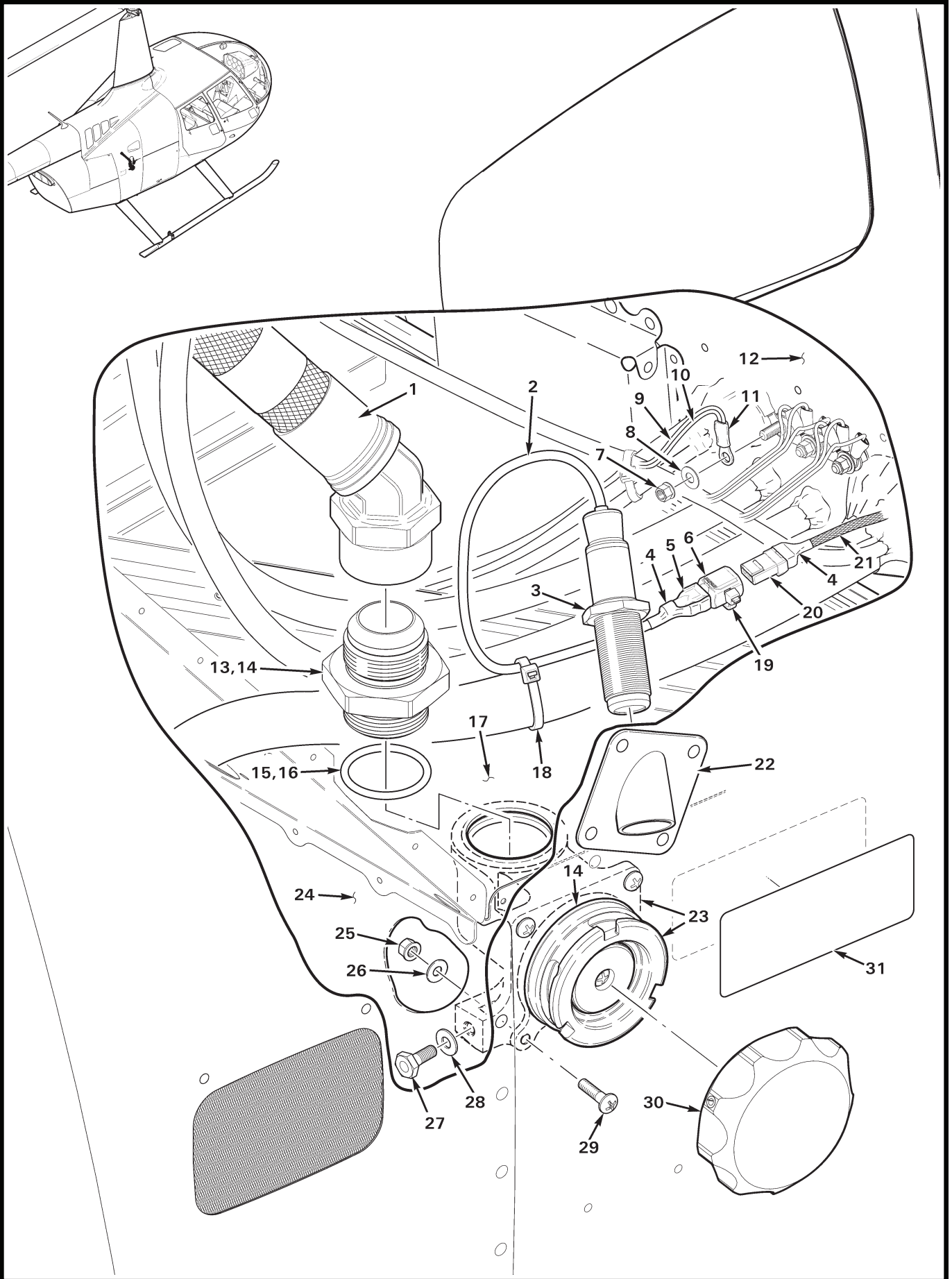


FIGURE AND INDEX NUMBER	PART NUMBER	DESCRIPTION	PARTS AVAIL	QTY PER ASSY
		PRESSURE FUELING SYSTEM – PRESSURE FUEL PORT		
28-43-1	D205-45	Hose Assembly	X	1
2	G990-4	Sensor Assembly (Incl items 3 thru 6)	X	1
3	—	Hex Nut	O	1
4	B158-6	Heat Shrink	X	A/R
5	D269-21	Backshell	X	1
6	D269-1	Plug (includes [3] M39029/58-360 pins)	X	1
	B158-01	Heat Shrink (around white wire, not shown)	X	A/R
7	MS21042L08	Nut (Ref)		
8	NAS1149FN816P	Washer (Ref)		
9	G991-3164	Wire (Ground, from G992-1 valve assembly; Ref)		
10	G991-3172	Wire (Ground, from item 2; Ref)		
11	B260-3	Terminal	X	1
12	G236-1	Bulkhead – Fuel Tank (Ref)		
13	G989-6	Fitting (apply item 14 between fitting and item 17)	X	1
14	B270-1	Sealant	X	A/R
15	MS29512-16	Packing (install using item 16)	X	1
16	A257-6	Grease	X	A/R
17	G239-1	Panel (Ref)		
18	MS3367-5-9	Ty-Rap	X	A/R
19	MS3367-4-9	Ty-Rap (locks connector).	X	1
20	D269-2	Receptacle (includes [3] M39029/57-354 sockets)	X	1
21	B266-4	Sleeving	X	A/R
22	G989-9	Housing Weldment (Ref)		
23	G987-1	Valve Assembly	X	1
24	F233-1	Firewall (Ref)		
25	MS21042L08	Nut	X	4
26	NAS1149FN816P	Washer	X	4
27	NAS6603-2	Bolt	X	1
28	NAS1149F0332P	Washer	X	1
29	MS27039C0810	Screw	X	4
30	G988-1	Cap Assembly	X	1
31	G682-45	Decal – " FUEL GRADE".	X	1

NOTES

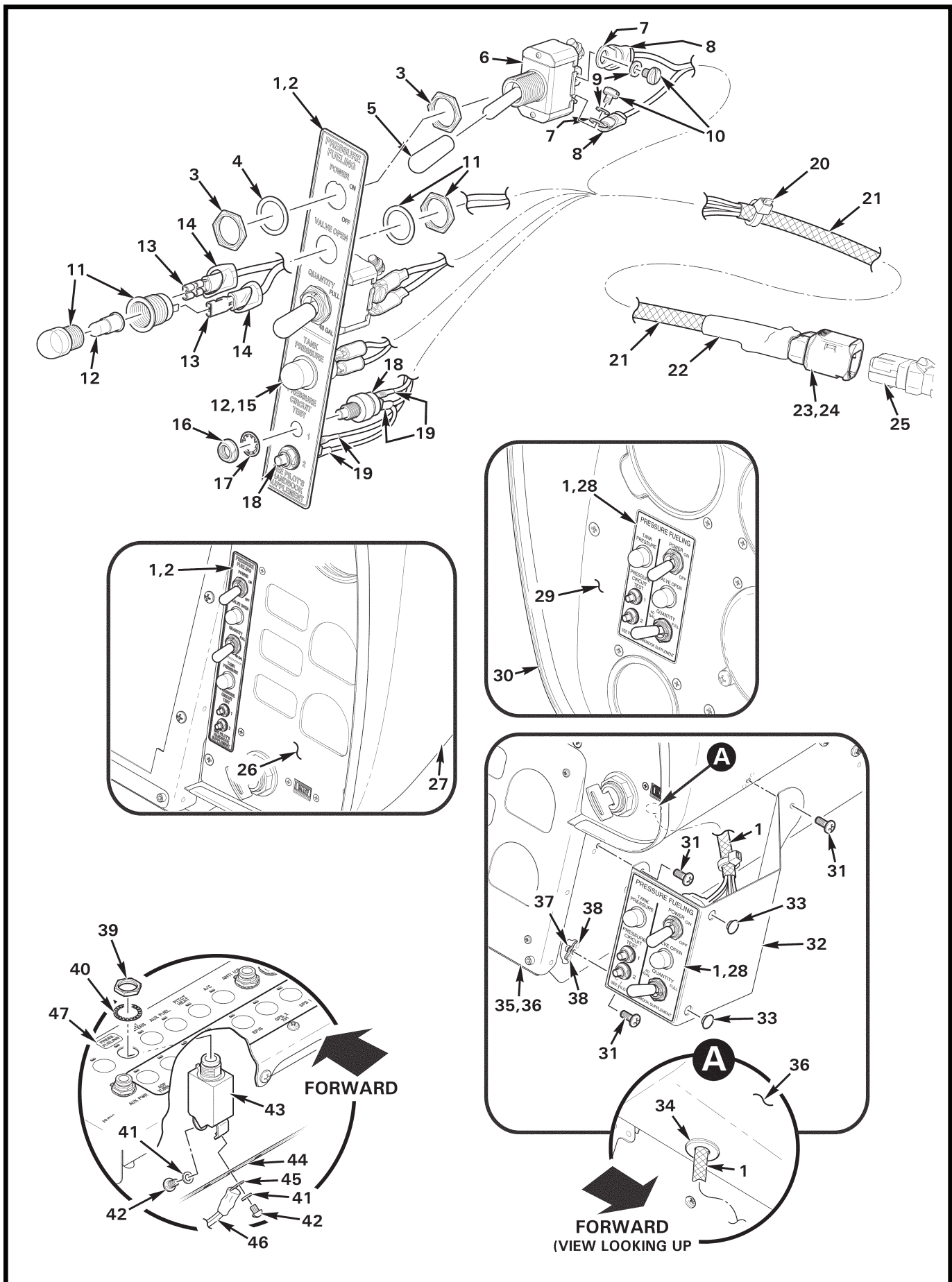


FIGURE AND INDEX NUMBER	PART NUMBER	DESCRIPTION	PARTS AVAIL	QTY PER ASSY
		PRESSURE FUELING SYSTEM – ELECTRICAL COMPONENTS		
28-45-1	G990-1	Switch Assembly – Fuel (Includes items 5 thru 8, 11 thru 15, 18 thru 24, and wires, assembled.)	X	1
2	G990-3	Panel – Fuel (G060)	X	1
3	—	Nut	O	4
4	—	Washer	O	2
5	AT406B	Cap	X	2
6	B300-4	Switch (Incl items 3 [2], 4 [1], 9 [3], and 10 [3])	X	2
7	B260-2	Terminal	X	4
8	B158-6	Heat Shrink (4 places)	X	A/R
9	—	Lockwasher	O	6
10	—	Screw	O	6
11	B198-1	Light – Caution (amber; does not include item 12)	X	1
12	B196-21	Lamp (28-volt)	X	2
13	B262-1	Receptacle	X	4
14	B158-3	Heat Shrink (4 places)	X	A/R
15	B198-2	Light – Warning (red; does not include item 12)	X	1
16	B227-4	Dress Nut	X	2
17	B227-3	Lockwasher	X	2
18	B227-6	Switch Assembly (includes items 16 and 17; supplied plain washer not used)	X	2
19	B158-2	Heat Shrink (4 places)	X	A/R
20	MS3367-4-0	Ty-rap	X	1
21	B266-4	Sleeving (or B266-8 sleeving)	X	A/R
22	B158-8	Heat Shrink (labeled “PRESS FUEL”)	X	A/R
23	D269-23	Backshell	X	1
24	D269-11	Plug (includes [9] M39029/57-354 sockets).	X	1
25	D269-12	Receptacle (Ref)		
26	G065	Face (Ref)		
27	G060	Console (Ref)		
28	G990-8	Panel – Fuel (G050/G070).	X	1
29	G055	Face (Ref)		
30	G050	Console (Ref)		
31	MS27039C0806	Screw	X	3
32	G990-5	Bracket	X	1
33	2603	Hole Plug	X	2
34	MS35489-149	Grommet	X	1
35	G074	Face (Ref)		
36	G070	Console (Ref)		

NOTES

Continues

FIGURE AND INDEX NUMBER	PART NUMBER	DESCRIPTION	PARTS AVAIL	QTY PER ASSY
PRESSURE FUELING SYSTEM – ELECTRICAL COMPONENTS (Cont'd)				
28-45-37	MS21069L08K	Nutplate	X	3
38	MS20426AD3	Rivet	X	6
39	—	Nut	O	1
40	—	Lockwasher	O	1
41	—	Washer	O	2
42	—	Screw	O	2
43	B297-5	Circuit Breaker (5 amp, includes items 39 thru 42)	X	1
44	A448	Bus Bar (Ref)		
45	B260-2	Terminal	X	1
46	G991-3156	Wire (Ref)		
46	G991-3180	Wire (Ref)		
47	G682-46	Decal "PRESS FUELING"	X	1

NOTES

Intentionally Blank

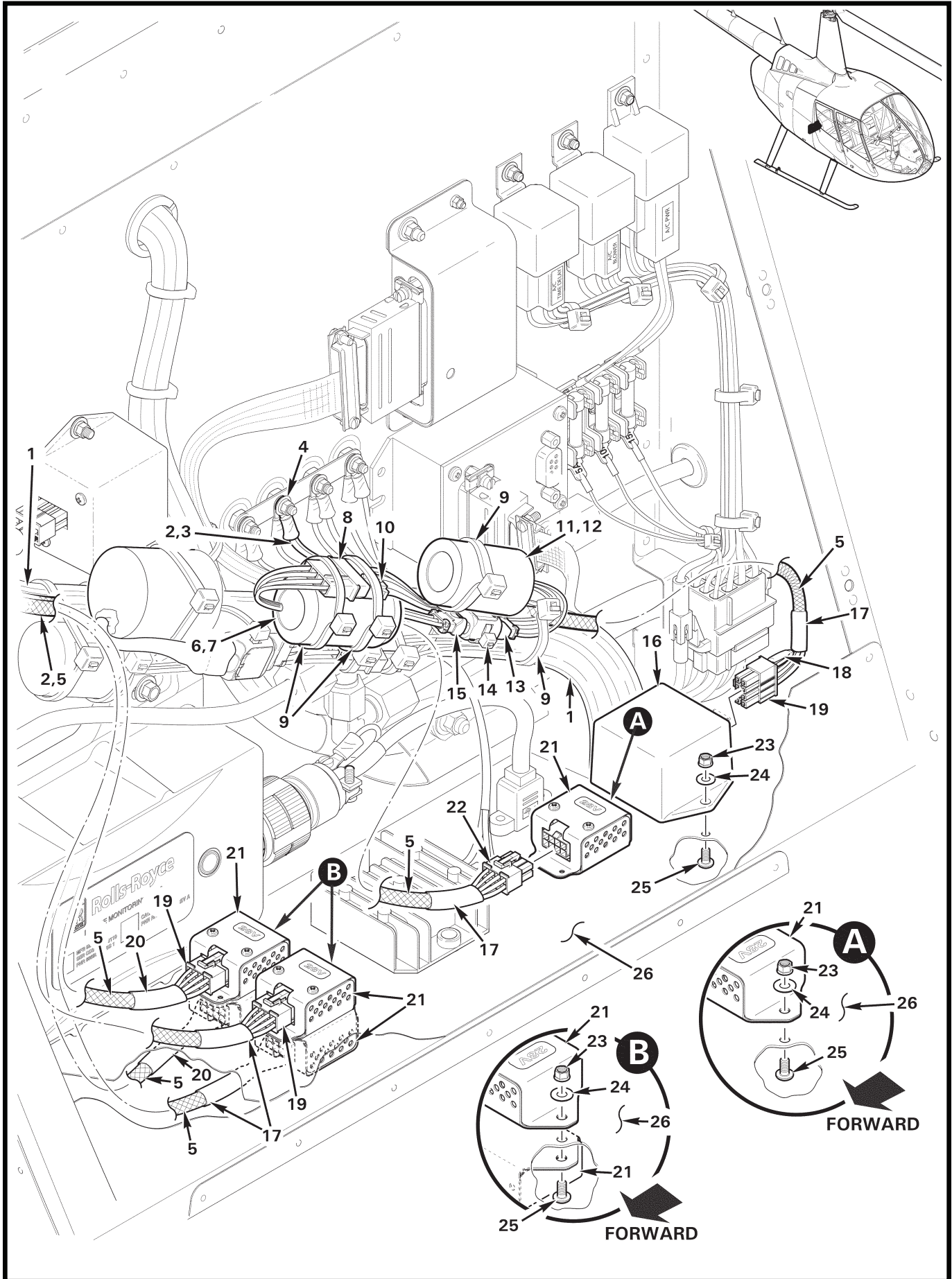


FIGURE AND INDEX NUMBER	PART NUMBER	DESCRIPTION	PARTS AVAIL	QTY PER ASSY
		PRESSURE FUELING SYSTEM – ELECTRICAL COMPONENTS		
28-49-1	F859	Wire Harness Assembly (Ref)		
2	G991-1	Harness Assembly (Includes items 3 thru 5, 10, 15, 17 thru 20, ty-raps, splices, & diodes; see also Figures 28-37, 28-41, & 28-43.)	X	1
3	G991-3166	Wire (Ref)		
	G991-3251	Wire (Ref)		
	G991-3300	Wire (Ref)		
4	B260-3	Terminal (location optional)	X	1
5	B266-4	Sleeving	X	A/R
6	G993-1	Time Delay Assembly (Incl items 7 and 8)	X	1
7	B158-24	Heat Shrink	X	A/R
8	B263-16	Housing	X	1
	B263-1	Pin	X	4
9	MS3367-7-9	Ty-rap	X	A/R
10	B263-17	Housing	X	1
	B263-2	Socket	X	4
11	B280-12	Relay Assembly (Incl items 12 and 13)	X	1
12	B158-12	Heat Shrink	X	A/R
13	D269-1	Plug (includes [3] M39029/58-360 pins)	X	1
14	MS3367-4-9	Ty-rap (locks connector).	X	1
15	D269-2	Receptacle (includes [3] M39029/57-354 sockets	X	1
16	XESR10-S01-FP-0787	Relay – Time Delay	X	1
17	B158-6	Heat Shrink (black)	X	A/R
18	RNC55H1403FS	Resistor	X	1
	B158-2	Heat Shrink (covers resistor)	X	A/R
19	39-01-2085	Housing	X	5
	39-00-0039	Socket	X	6
20	B158-406	Heat Shrink (blue)	X	A/R
21	F695-9	Relay Assembly (Includes C654-22 Decal – "28V". [2] F695-5 assemblies [item 21] located below F679 cover.)	X	5
22	39-01-2085	Housing	X	1
	39-00-0039	Socket	X	5
23	MS21042L08	Nut	X	5
24	NAS1149FN816P	Washer	X	5
25	MS27039C806	Screw	X	5
26	F679	Cover (Ref)		

NOTES

Intentionally Blank