

CHAPTER 11**PLACARDS AND MARKINGS**

<i>Figure</i>	<i>Title</i>	<i>Page</i>
11-1	Placards and Markings	11.0
11-5	Placards and Markings	11.4
11-7	Placards and Markings (Brazilian)	11.6
11-11	Placards and Markings (Brazilian)	11.10
11-13	Placards and Markings (Chinese)	11.12
11-15	Placards and Markings (Hebrew)	11.14
11-17	Placards and Markings (Hebrew)	11.16
11-19	Placards and Markings (Japanese)	11.18
11-21	Placards and Markings (Russian)	11.20
11-23	Placards and Markings (Russian)	11.22

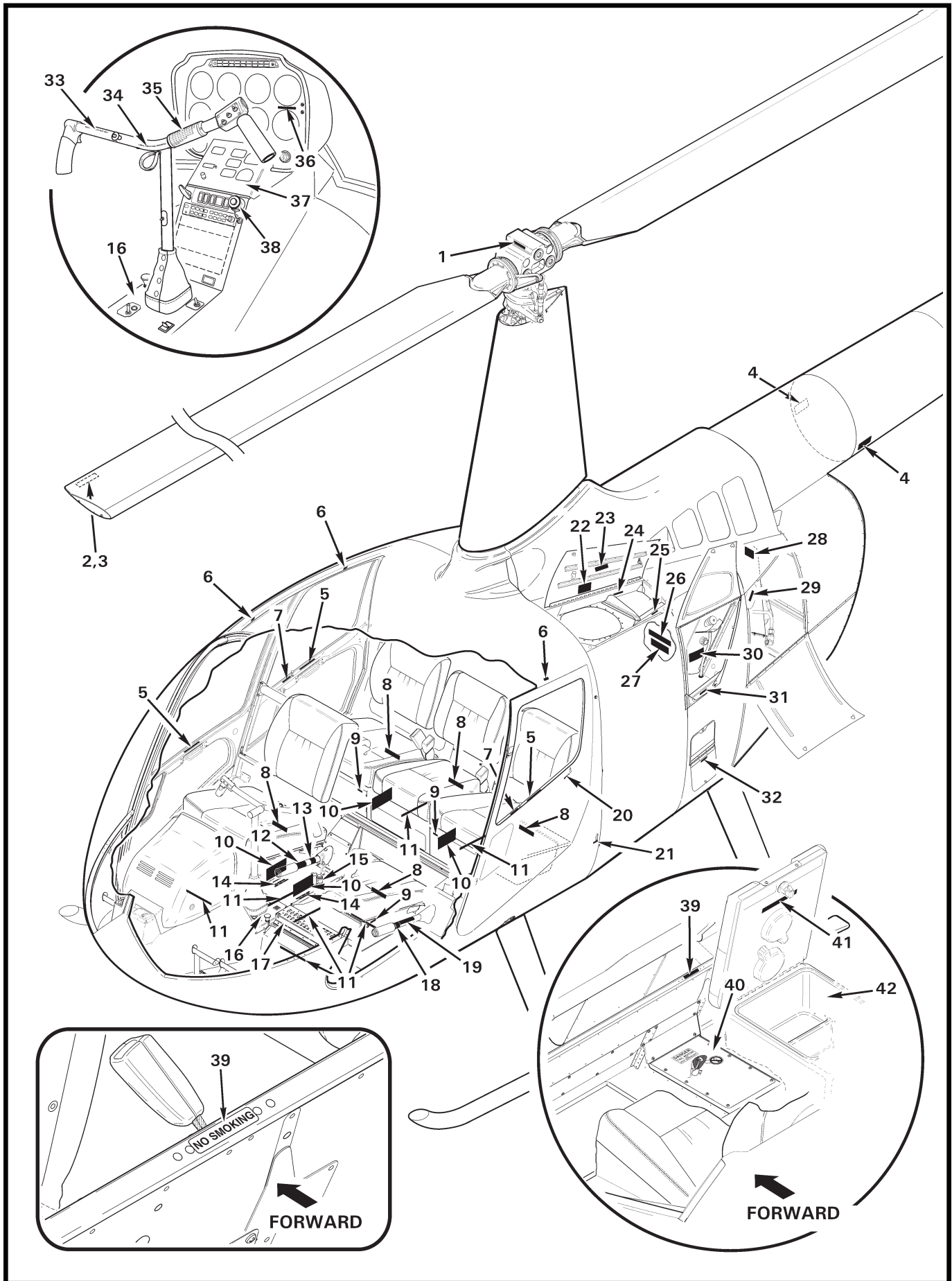


FIGURE AND INDEX NUMBER	PART NUMBER	DESCRIPTION	PARTS AVAIL	QTY PER ASSY
PLACARDS AND MARKINGS*				
11-1-1	A654-18	Decal – "LEVEL HERE"	X	1
2	A654-25	Decal – "NEVER PULL DOWN / PUSH UP OPPOSITE BLADE" (seal edges using item 3)	X	2
3	B270-25	Clear Coat (1/2 oz. bottle)	X	A/R
4	A654-94	Decal – "DANGER HOT EXHAUST"	X	2
5	F654-21	Decal – "TO CLOSE: SLIDE HANDLE AFT AND DOWN..." . . .	X	4
6	F654-22	Decal – "EXIT"	X	4
7	F654-20	Decal – "PUSH TO LOCK / DO NOT LOCK IN FLIGHT"	X	2
8	F654-19	Decal – "ENERGY-ABSORBING SEAT / DO NOT MODIFY" . . .	X	5
9	C654-17	Decal – "INTERCOM"	X	3
10	F654-10	Decal – "CAUTION"	X	4
11	F654-17	Decal – "MAX FILL LINE"	X	7
12	F654-1	Decal – "THROTTLE OPEN"	X	1
13	A654-7	Decal – "FRICTION INCREASE"	X	1
14	F445-1	Marking – "NO STOWAGE KEEP AREA CLEAR" (Ref)		
	F445-3	Marking – "NO STOWAGE KEEP AREA CLEAR" (float ships; not shown, Ref)		
15	A654-45	Decal – "FUEL CONTROL ..."	X	1
16	F444-1	Marking – "NO SMOKING"	X	1
17	F490-3	Panel Assembly – Circuit Breaker	X	1
	F490-1	Panel Assembly – Circuit Breaker (earlier R66s)	X	1
18	A654-6	Decal – "THROTTLE OPEN"	X	1
19	A654-21	Decal – "NO STOWAGE / KEEP AREA CLEAR"	X	1
20	A654-12	Decal – "OPEN" (black lettering)	X	2
	A654-10	Decal – "OPEN" (white lettering)	X	2
21	C654-7	Decal – "STATIC PORT" (black lettering)	X	2
	C654-8	Decal – "STATIC PORT" (white lettering)	X	2
22	F654-5	Decal – "FUEL GRADE"	X	1
23	G682-20	Decal – "STOW MT106-2 FUEL DIPSTICK HERE..."	X	1
24	G682-32	Decal – "GROUND HERE BEFORE..."	X	1
25	F654-15	Decal – "STEP HERE/HAND HOLD"	X	1
26	G654-1	Decal – "ENGINE COMPRESSOR RINSE CONNECTION"	X	1
27	F654-12	Decal – "HYDRAULIC FLUID AND GEARBOX OIL"	X	1
28	23052363**	Decal – "WARNING: FAILURE TO PROPERLY INSTALL..." . . .	X	1
29	A654-38	Decal – "PUSH TO OPEN"	X	1

NOTES * Decal and Marking text in quotes. Markings are silk screened on component.

** Rolls Royce part number.

Continues

FIGURE AND INDEX NUMBER	PART NUMBER	DESCRIPTION	PARTS AVAIL	QTY PER ASSY
PLACARDS AND MARKINGS* (Cont'd)				
11-1-30	F654-3	Decal – "ENGINE OIL"	X	1
31	F654-11	Decal – "STEP HERE"	X	1
32	F654-16	Decal – "STEP HERE LEFT FOOT"	X	1
33	A321-21	Marking – "SOLO FROM RIGHT SEAT ONLY" (Ref; Weldment, Pistol Grip; see Figure 67-11)		
	A321-19	Marking – "SOLO FROM RIGHT SEAT ONLY" (Ref; Weldment, Pistol Grip; earlier R66s)		
34	A756-25	Marking – "LOW-G PUSHOVERS PROHIBITED" (Ref; Weldment, Pistol Grip; see Figure 67-11)		
	A756-24	Marking – "LOW-G PUSHOVERS PROHIBITED" (Ref; Weldment, Pistol Grip; earlier R66s, see Figure 67-11)		
35	F654-4	Decal – "NEVER EXCEED SPEED"	X	1
	F654-28	Decal – "NEVER EXCEED SPEED" (float ships / police version; not shown)	X	1
36	G654-5	Decal – "TRANSIENT OPERATION ONLY 75-88% N2..."	X	A/R
37	B051-20	Face Assembly – "R66 TURBINE" (Phaostron)	X	1
38	A654-45	Decal – "FUEL CONTROL GUARD INSTALL BEFORE TAKEOFF"	X	1
39	A654-17	Decal – "NO SMOKING"	X	1
40	F463-1	Marking – "DANGER TAIL ROTOR AND HOT EXHAUST"	X	1
41	F654-27	Decal – "MAXIMUM COMPARTMENT CAPACITY: 10 LB (4.5 KG)"	X	1
42	G749-2	Console Assembly (Ref; includes item 41)		

NOTES * Decal and Marking text in quotes. Markings are silk screened on component.

Intentionally Blank

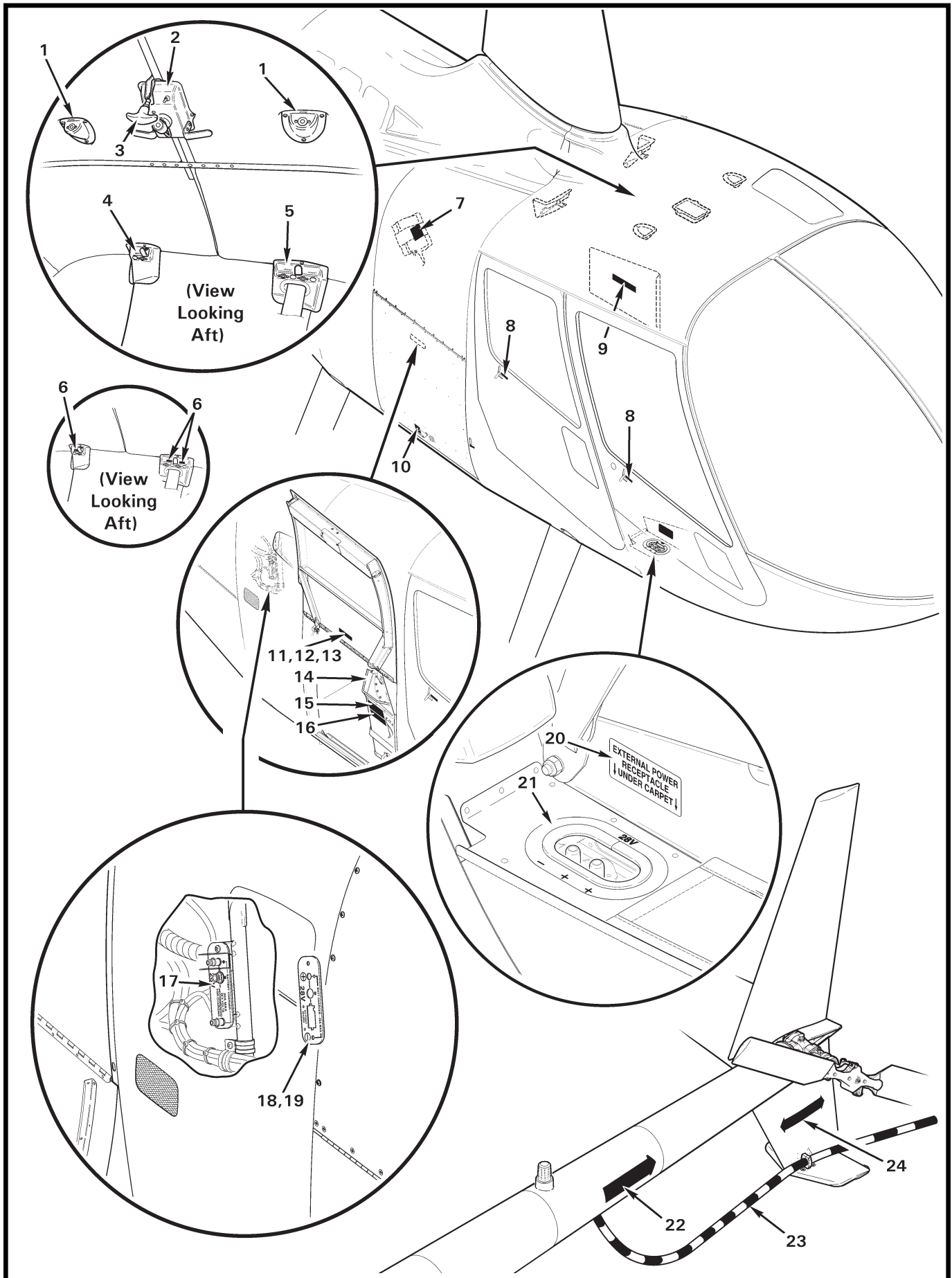


FIGURE AND INDEX NUMBER	PART NUMBER	DESCRIPTION	PARTS AVAIL	QTY PER ASSY
		PLACARDS AND MARKINGS*		
11-5-1	C710-1	Marking – "HEADSET" (Cover; Ref)		
2	C712-2	Marking – "MAP LIGHT HIGH/LOW/OFF, CABIN LIGHT ON/OFF" (Ref)		
3	D119-1	Marking – "BRAKE" (knob)	X	1
4	F436-6	Marking – "HEADSET" (RH, cover assembly)	X	1
5	F436-5	Marking – "HEADSET" (LH, cover assembly)	X	1
6	A654-16	Decal – "HEADSET" (earlier R66s)	X	3
7	F654-25	Decal (dongle and elt programming)	X	1
8	A654-11	Decal – "OPEN" (black lettering)	X	2
	A654-9	Decal – "OPEN" (white lettering)	X	2
9	F654-24	Decal – "BATTERY LOCATED BEHIND THIS PANEL"	X	1
10	F654-8	Decal – "LATCH" (black lettering)	X	1
	F654-9	Decal – "LATCH" (white lettering)	X	1
11	F654-7	Decal – "CAUTION..."	X	1
12	G682-40	Decal – "CAUTION..." (load maximums)	X	1
	G682-30	Decal – "CAUTION..." (aux fuel tank installed; earlier R66s)	X	1
13	F654-26	Decal – "CAUTION..." (police version)	X	1
14	G010-2	AUX Tank Assembly (Ref)		
15	F654-5	Decal – "JET FUEL ONLY..."	X	1
16	G682-37	Decal – "43.5 US GAL (165L) CAUTION..." (weight limitations)	X	1
	G682-41	Decal – "23.2 US GAL (88L) CAUTION..." (weight limitations)	X	1
17	G598-7	Marking – "28V / BATT CHARGER – 20A MAX" (faceplate)	X	1
18	G598-5	Marking – "28V / BATT CHARGER – 20A MAX" (faceplate, for spares)	X	1
	G598-3	Marking – "28V / BATT CHARGER – 10A MAX" (faceplate, for spares)	X	1
19	G598-2	Marking – "28V / BATT CHARGE" (faceplate; supersedes G598-1)	X	A/R
	G598-1	Marking – "28V / BATT CHARGE" (faceplate, earlier R66s) . .	O	1
20	G682-2	Decal – "EXTERNAL POWER RECEPTACLE UNDER CARPET" (white lettering)	X	1
21	G682-1	Decal – + "28V" (red lettering)	X	1
22	A654-3	Decal – "DANGER"	X	2
23	D079-1	Tail Rotor Guard (Ref, see Figure 53-25)		
24	C654-2	Decal – "DANGER"	X	2

NOTES * Decal and Marking text in quotes. Markings are silk screened on component. See also Figure 11-1.

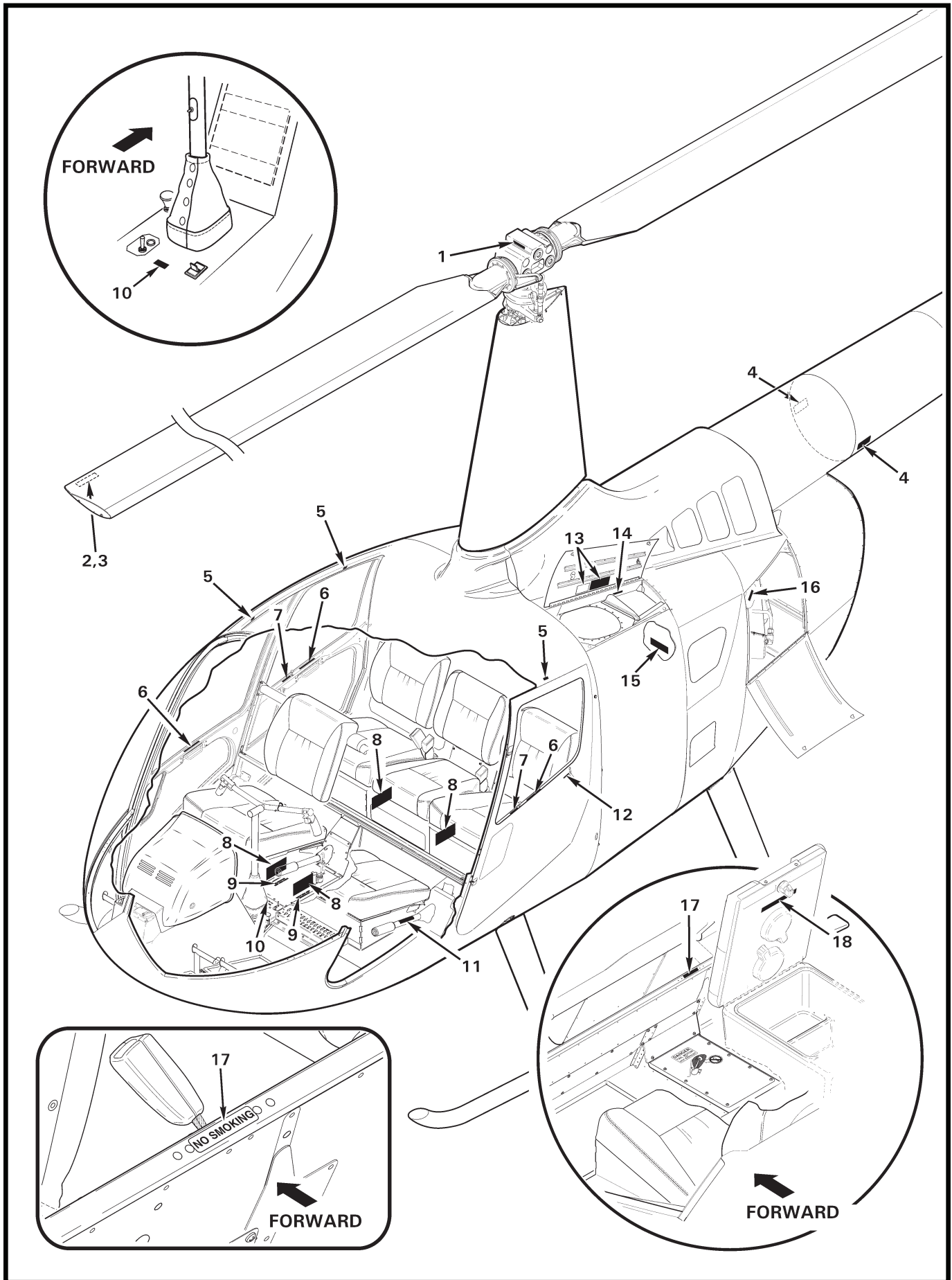


FIGURE AND INDEX NUMBER	PART NUMBER	DESCRIPTION	PARTS AVAIL	QTY PER ASSY
		PLACARDS AND MARKINGS* (BRAZILIAN)		
11-7-1	A654-18	Decal – "LEVEL HERE" (Ref)		
	B841-19	Brazilian Decal (A654-18 equivalent)	X	1
2	A654-25	Decal – "NEVER PULL DOWN / PUSH UP OPPOSITE BLADE" (Ref)		
	B841-23	Brazilian Decal (A654-25 equivalent; seal edges using item 3)	X	2
3	B270-25	Clear Coat (1/2 oz. bottle)	X	A/R
4	A654-94	Decal – "DANGER HOT EXHAUST" (Ref)		
	B841-30	Brazilian Decal (A654-94 equivalent)	X	2
5	F654-22	Decal – "EXIT" (Ref)		
6	F654-21	Decal – "TO CLOSE: SLIDE HANDLE AFT AND DOWN..." (Ref)		
	B841-62	Brazilian Decal (F654-21 equivalent)	X	4
	B841-63	Brazilian Decal (F654-22 equivalent)	X	4
7	F654-20	Decal – "PUSH TO LOCK / DO NOT LOCK IN FLIGHT" (Ref)		
	B841-61	Brazilian Decal (F654-20 equivalent)	X	2
8	F654-10	Decal – "CAUTION" (Ref)		
	B841-56	Brazilian Decal (F654-10 equivalent)	X	4
9	F445-1	Marking – "NO STOWAGE KEEP AREA CLEAR" (Ref)		
	F445-3	Marking – "NO STOWAGE KEEP AREA CLEAR" (float ships; Ref)		
	B841-33	Brazilian Decal (covers marking; F445 equivalent)	X	2
10	F444-1	Marking – "NO SMOKING" (Ref)		
	B841-18	Brazilian Decal (covers marking; F444 equivalent)	X	4
11	A654-21	Decal – "NO STOWAGE / KEEP AREA CLEAR" (Ref)		
	B841-21	Brazilian Decal (A654-21 equivalent)	X	2
12	A654-12	Decal – "OPEN" (black lettering; Ref)		
	B841-17	Brazilian Decal (A654-12 equivalent)	X	A/R
	A654-10	Decal – "OPEN" (white lettering; Ref)		
	B841-15	Brazilian Decal (A654-10 equivalent)	X	A/R
13	F654-5	Decal – "FUEL GRADE" (Ref)		
	B841-51	Brazilian Decal (F654-5 equivalent)	X	1
14	G682-32	Decal – "GROUND HERE BEFORE..." (Ref)		
	B841-67	Brazilian Decal (G682-32 equivalent)	X	1
15	F654-12	Decal – "HYDRAULIC FLUID AND GEARBOX OIL" (Ref)		
	B841-57	Brazilian Decal (F654-12 equivalent)	X	1

NOTES * Decal and Marking text in quotes. Markings are silk screened on component. See also Figure 11-1.

Continues

FIGURE AND INDEX NUMBER	PART NUMBER	DESCRIPTION	PARTS AVAIL	QTY PER ASSY
PLACARDS AND MARKINGS* (BRAZILIAN Cont'd)				
11-7-16	A654-38	Decal – "PUSH TO OPEN" (Ref)		
	B841-25	Brazilian Decal (A654-38 equivalent)	X	1
17	A654-17	Decal – "NO SMOKING" (Ref)		
	B841-18	Brazilian Decal (A654-17 equivalent)	X	1
18	F654-27	Decal – "MAXIMUM COMPARTMENT CAPACITY: 10 LB (4.5 KG)" (Ref)		
	B841-65	Brazilian Decal (F654-27 equivalent)	X	A/R

NOTES * Decal and Marking text in quotes. Markings are silk screened on component. See also Figure 11-1.

Intentionally Blank

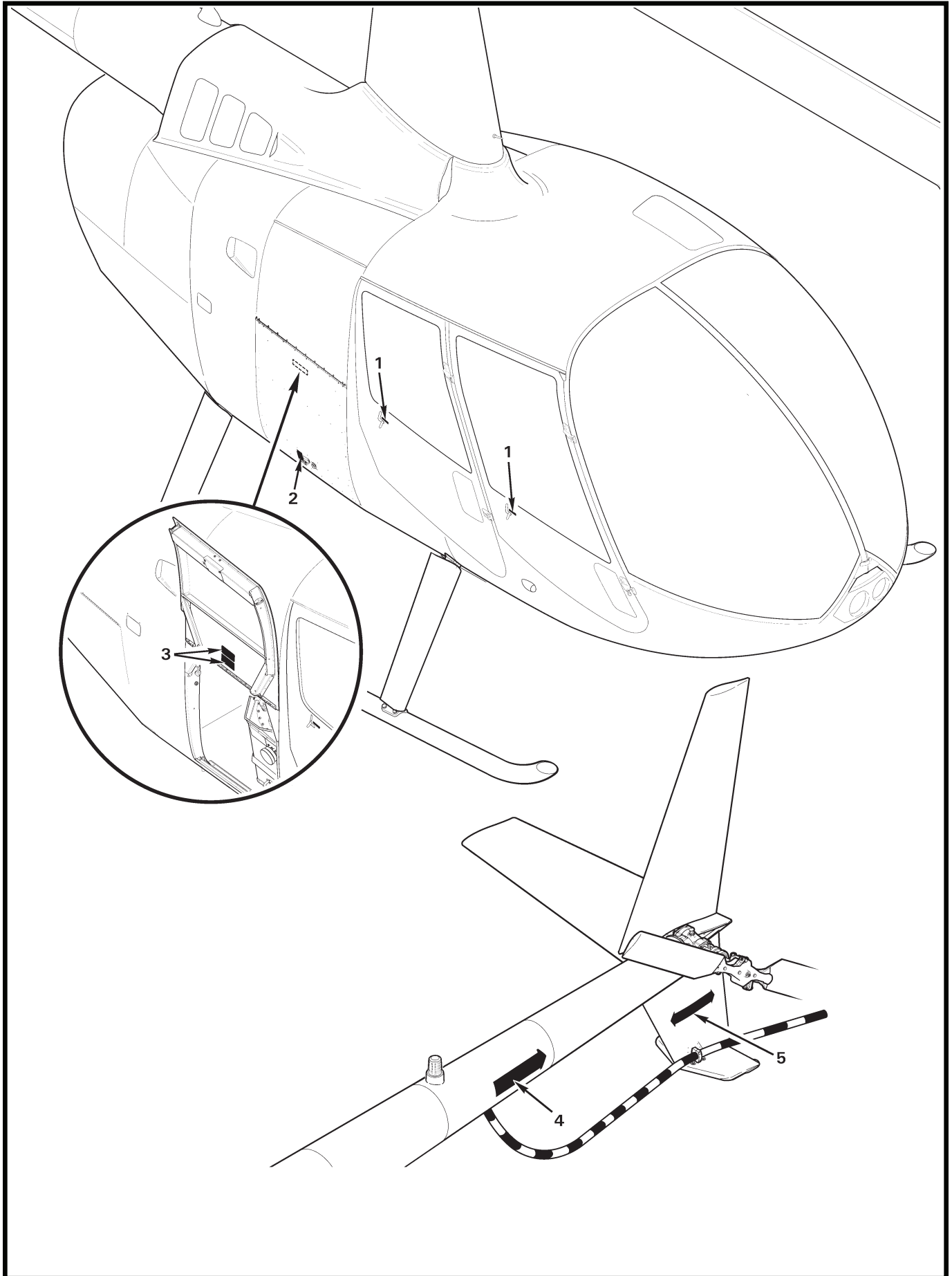


FIGURE AND INDEX NUMBER	PART NUMBER	DESCRIPTION	PARTS AVAIL	QTY PER ASSY
		PLACARDS AND MARKINGS* (BRAZILIAN)		
11-11-1	A654-11	Decal – “OPEN” (black lettering; Ref)		
	B841-16	Brazilian Decal (A654-11 equivalent)	X	A/R
	A654-9	Decal – “OPEN” (white lettering; Ref)		
	B841-14	Brazilian Decal (A654-9 equivalent)	X	A/R
2	F654-8	Decal – “LATCH” (black lettering; Ref)		
	B841-54	Brazilian Decal (F654-8 equivalent)	X	A/R
	F654-9	Decal – “LATCH” (white lettering; Ref)		
	B841-55	Brazilian Decal (F654-9 equivalent)	X	A/R
3	F654-7**	Decal – “CAUTION...” (load maximums; Ref)		
	B841-53	Brazilian Decal (F654-7 equivalent)	X	1
	G682-40	Decal – “CAUTION...” (load maximums; aux fuel tank installed, Ref)		
	B841-72	Brazilian Decal (G682-40 equivalent)	X	A/R
	G682-30	Decal – “CAUTION...” (load maximums; aux fuel tank installed, Ref)		
	B841-66	Brazilian Decal (G682-30 equivalent, earlier R66s)	X	A/R
	F654-26	Decal – “CAUTION...” (police version; Ref)		
	B841-64	Brazilian Decal (F654-26 equivalent)	X	A/R
4	A654-3	Decal – “DANGER” (Ref)		
	B841-12	Brazilian Decal (trim arrow head fwd end; A654-3 equivalent)	X	2
5	C654-2	Decal – “DANGER” (Ref)		
	B841-39	Brazilian Decal (C654-2 equivalent)	X	2

NOTES * Decal and Marking text in quotes. Markings are silk screened on component. See also Figure 11-1.
 ** See also Figure 11-5.

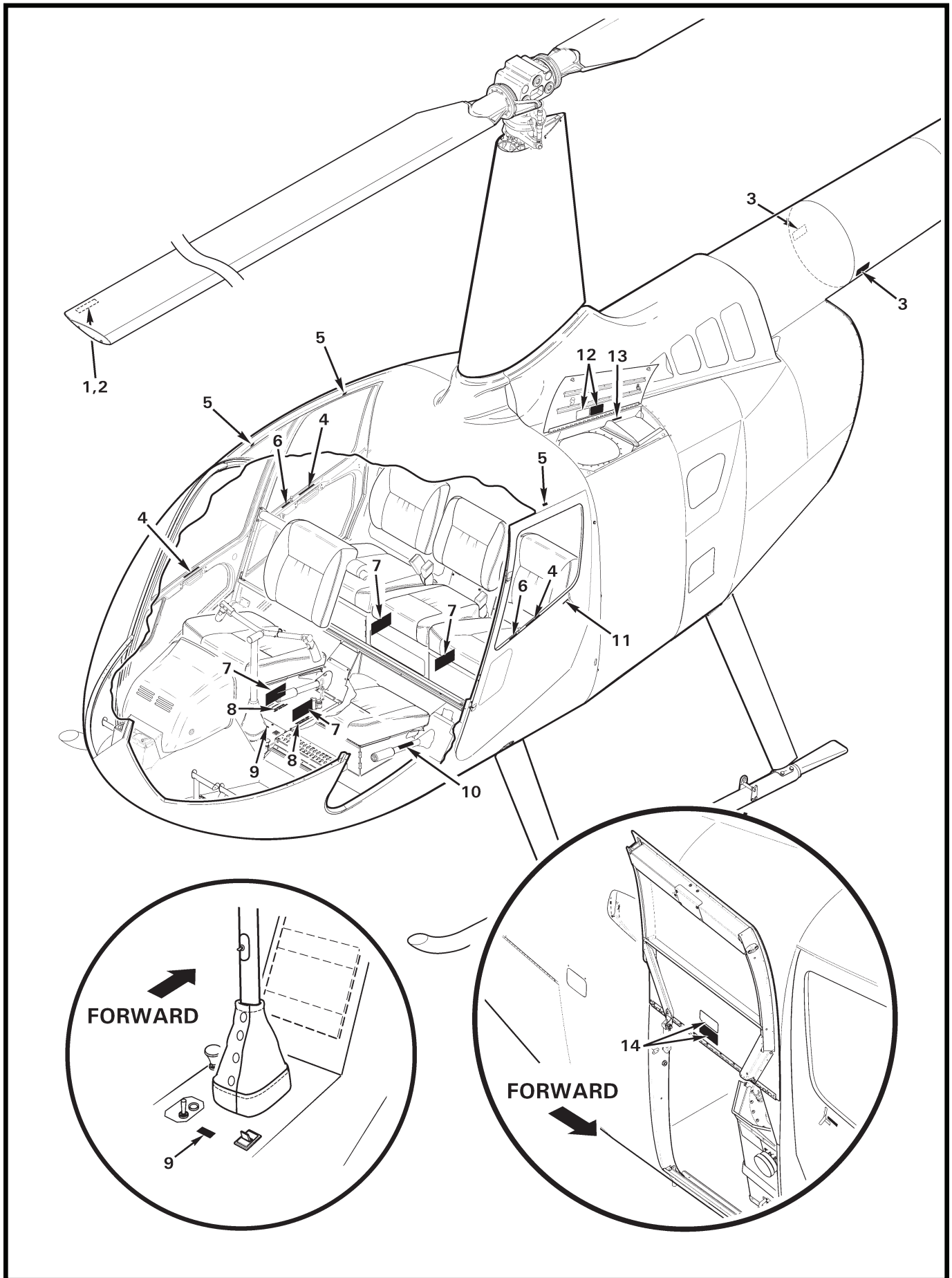


FIGURE AND INDEX NUMBER	PART NUMBER	DESCRIPTION	PARTS AVAIL	QTY PER ASSY
		PLACARDS AND MARKINGS* (CHINESE)		
11-13-1	A654-25	Decal – “NEVER PULL DOWN / PUSH UP OPPOSITE BLADE” (Ref)		
	B842-18	Chinese Decal (place below or adjacent to A654-25 equivalent; seal edges using item 2)	X	2
2	B270-25	Cleat Coat (1/2 oz. bottle)	X	A/R
3	A654-94	Decal – “DANGER HOT EXHAUST” (Ref)		
	B842-20	Chinese Decal (A654-94 equivalent)	X	2
4	F654-21	Decal – “TO CLOSE: SLIDE HANDLE AFT AND DOWN...” (Ref)		
	B842-32	Chinese Decal (F654-21 equivalent)	X	4
5	F654-22	Decal – “EXIT” (Ref)		
	B842-33	Chinese Decal (F654-22 equivalent)	X	4
6	F654-20	Decal – “PUSH TO LOCK / DO NOT LOCK IN FLIGHT” (Ref)		
	B842-31	Chinese Decal (F654-20 equivalent)	X	2
7	F654-10	Decal – “CAUTION” (Ref)		
	B842-30	Chinese Decal (F654-10 equivalent)	X	4
8	F445-1	Marking – “NO STOWAGE KEEP AREA CLEAR” (Ref)		
	F445-3	Marking – “NO STOWAGE KEEP AREA CLEAR” (float ships; Ref)		
	B842-23	Chinese Decal (covers marking; F445 equivalent)	X	2
9	F444-1	Marking – “NO SMOKING” (Ref)		
	B842-16	Chinese Decal (covers marking; F444 equivalent)	X	2
10	A654-21	Decal – “NO STOWAGE / KEEP AREA CLEAR” (Ref)		
	B842-17	Chinese Decal (A654-21 equivalent)	X	2
11	A654-12	Decal – “OPEN” (black lettering; Ref)		
	B842-15	Chinese Decal (A654-12 equivalent)	X	A/R
	A654-10	Decal – “OPEN” (white lettering; Ref)		
	B842-13	Chinese Decal (A654-10 equivalent)	X	2
12	F654-5**	Decal – “FUEL GRADE” (Ref)		
	B842-25	Chinese Decal (F654-5 equivalent)	X	1
13	G682-32	Decal – “GROUND HERE BEFORE...” (Ref)		
	B842-26	Chinese Decal (G682-32 equivalent)	X	1
14	F654-7**	Decal – “CAUTION...” (load maximums; Ref)		
	B842-27	Chinese Decal (below or adjacent to F654-7 equivalent)	X	1

NOTES * Decal and Marking text in quotes. Markings are silk screened on component. See also Figure 11-1.
 ** See also Figure 11-5.

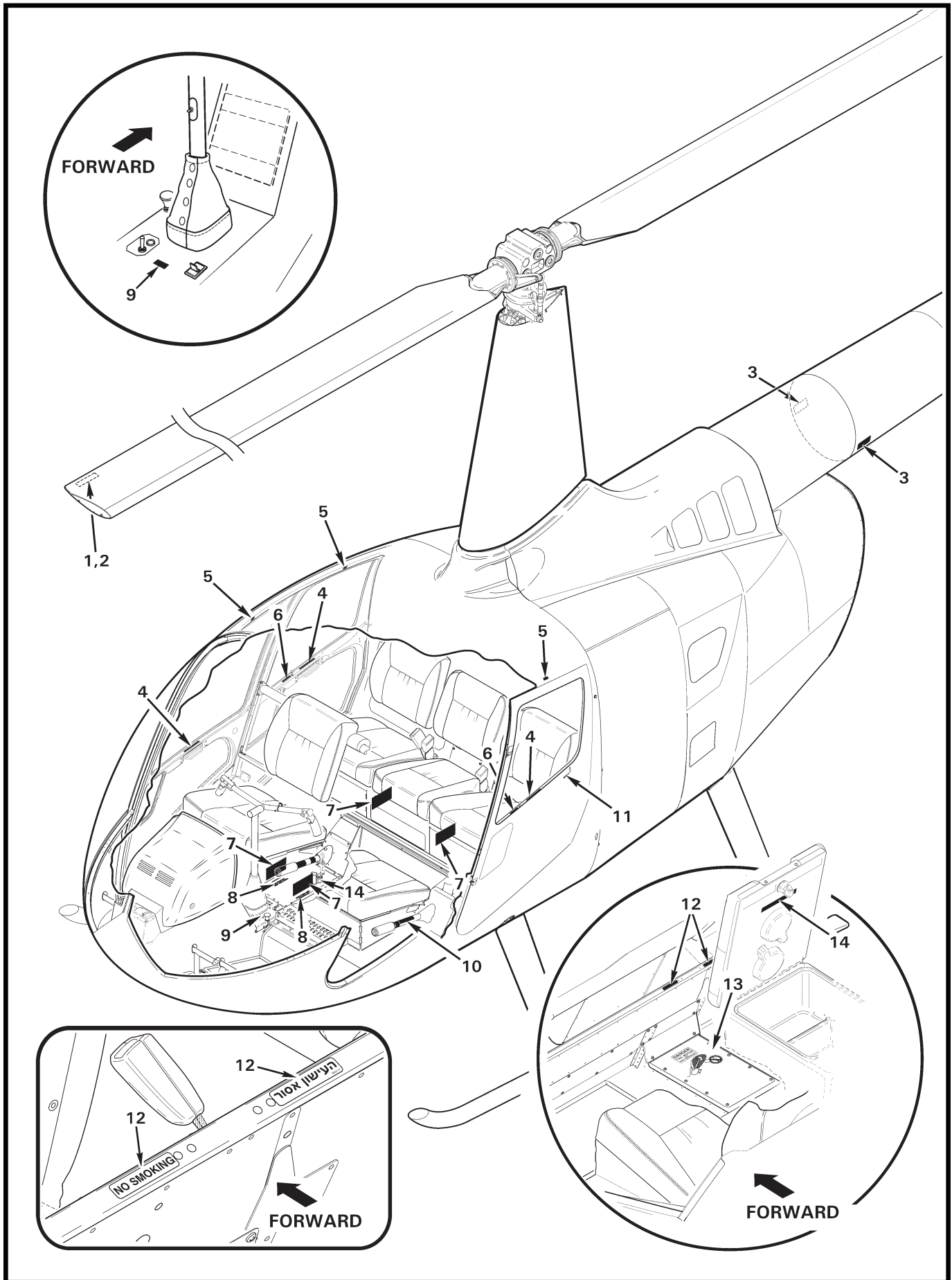


FIGURE AND INDEX NUMBER	PART NUMBER	DESCRIPTION	PARTS AVAIL	QTY PER ASSY
		PLACARDS AND MARKINGS* (HEBREW)		
11-15-1	A654-25	Decal – “NEVER PULL DOWN / PUSH UP OPPOSITE BLADE” (Ref)		
	B850-18	Hebrew Decal (below or adjacent to A654-25 equivalent; seal edges using item 2)	X	2
2	B270-25	Clear Coat (1/2 oz. bottle)	X	A/R
3	A654-94	Decal – “DANGER HOT EXHAUST” (Ref)		
	B850-20	Hebrew Decal (A654-94 equivalent)	X	2
4	F654-21	Decal – “TO CLOSE: SLIDE HANDLE AFT AND DOWN...” (Ref)		
	B850-32	Hebrew Decal (F654-21 equivalent)	X	4
5	F654-22	Decal – “EXIT” (Ref)		
	B850-33	Hebrew Decal (adjacent to F654-22 equivalent)	X	4
6	F654-20	Decal – “PUSH TO LOCK / DO NOT LOCK IN FLIGHT” (Ref)		
	B850-31	Hebrew Decal (F654-20 equivalent)	X	2
7	F654-10	Decal – “CAUTION” (Ref)		
	B850-29	Hebrew Decal (below or adjacent to F654-10 equivalent) . . .	X	4
8	F445-1	Marking – “NO STOWAGE KEEP AREA CLEAR” (Ref)		
	F445-3	Marking – “NO STOWAGE KEEP AREA CLEAR” (float ships; Ref)		
	B850-24	Hebrew Decal (adjacent to F445 equivalent)	X	3
9	F444-1	Marking – “NO SMOKING” (Ref)		
	B850-16	Hebrew Decal (below marking; F444-1 equivalent)	X	2
10	A654-21	Decal – “NO STOWAGE / KEEP AREA CLEAR” (Ref)		
	B850-17	Hebrew Decal (A654-21 equivalent)	X	A/R
11	A654-12	Decal – “OPEN” (black lettering; Ref)		
	B850-15	Hebrew Decal (A654-12 equivalent)	X	A/R
	A654-10	Decal – “OPEN” (white lettering; Ref)		
	B850-13	Hebrew Decal (A654-10 equivalent)	X	A/R
12	A654-17	Decal – “NO SMOKING” (relocate 0.5 inch left of rivets; Ref)		
	B850-16	Hebrew Decal – “NO SMOKING” (place 0.5 inch right of rivets; A654-17 equivalent)	X	2
13	F463-1	Marking – “DANGER TAIL ROTOR AND HOT EXHAUST” (Ref)		
	B850-19	Hebrew Decal (cover marking; F463-1 equivalent)	X	1
14	F654-27	Decal – “MAXIMUM COMPARTMENT CAPACITY; 10 LB (4.5 KG) (Ref)		
	B850-35	Hebrew Decals (below or adjacent to F654-27 equivalent) . . .	X	A/R

NOTES * Decal and Marking text in quotes. Markings are silk screened on component. See also Figure 11-1.

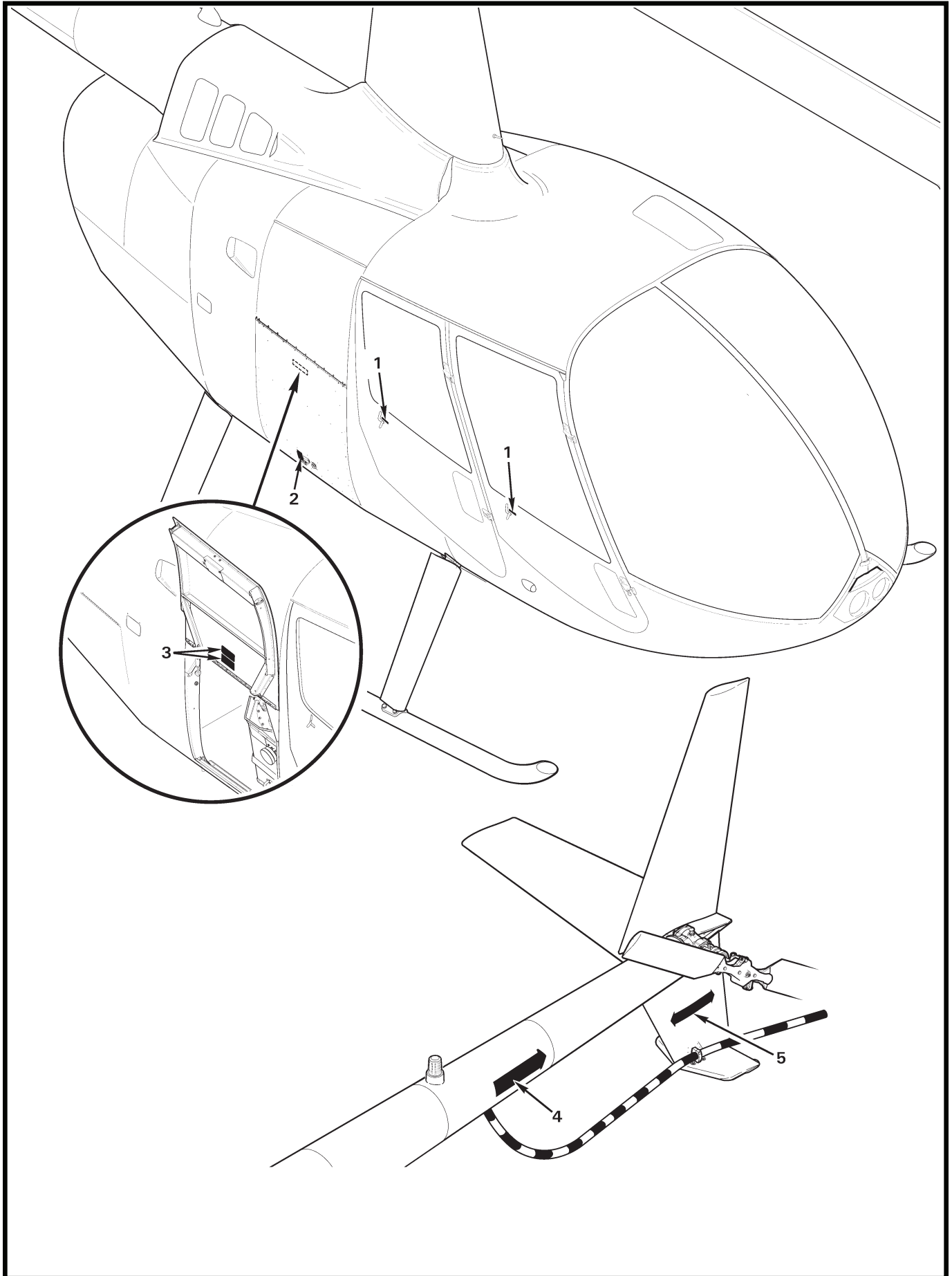


FIGURE AND INDEX NUMBER	PART NUMBER	DESCRIPTION	PARTS AVAIL	QTY PER ASSY
		PLACARDS AND MARKINGS* (HEBREW)		
11-17-1	A654-11	Decal – “OPEN” (black lettering; Ref)		
	B850-14	Hebrew Decal (A654-11 equivalent)	X	A/R
	A654-9	Decal – “OPEN” (white lettering; Ref)		
	B850-12	Hebrew Decal (A654-9 equivalent)	X	A/R
2	F654-8	Decal – “LATCH” (black lettering; Ref)		
	B850-27	Hebrew Decal (F654-8 equivalent)	X	A/R
	F654-9	Decal – “LATCH” (white lettering; Ref)		
	B850-28	Hebrew Decal (F654-9 equivalent)	X	A/R
3	F654-7	Decal – “CAUTION...” (see also, Figures 28-19 and 28-27; Ref)		
	B850-26	Hebrew Decal (below F654-7 equivalent)	X	1
	G682-30	Decal – “CAUTION...” (load maximums; aux fuel tank installed, Ref)		
	B850-36	Hebrew Decal (below G682-30 equivalent)	X	A/R
	F654-26	Decal – “CAUTION...” (police version; Ref)		
	B850-34	Hebrew Decal (below or adjacent to F654-26 equivalent)	X	A/R
4	A654-3	Decal – “DANGER” (Ref)		
	B850-11	Hebrew Decal (trim arrow head fwd end; A654-3 equivalent)	X	2
5	C654-2	Decal – “DANGER” (Ref)		
	B850-21	Hebrew Decal (C654-2 equivalent)	X	2

NOTES * Decal and Marking text in quotes. See also Figures 11-5, 28-19, and 28-27.

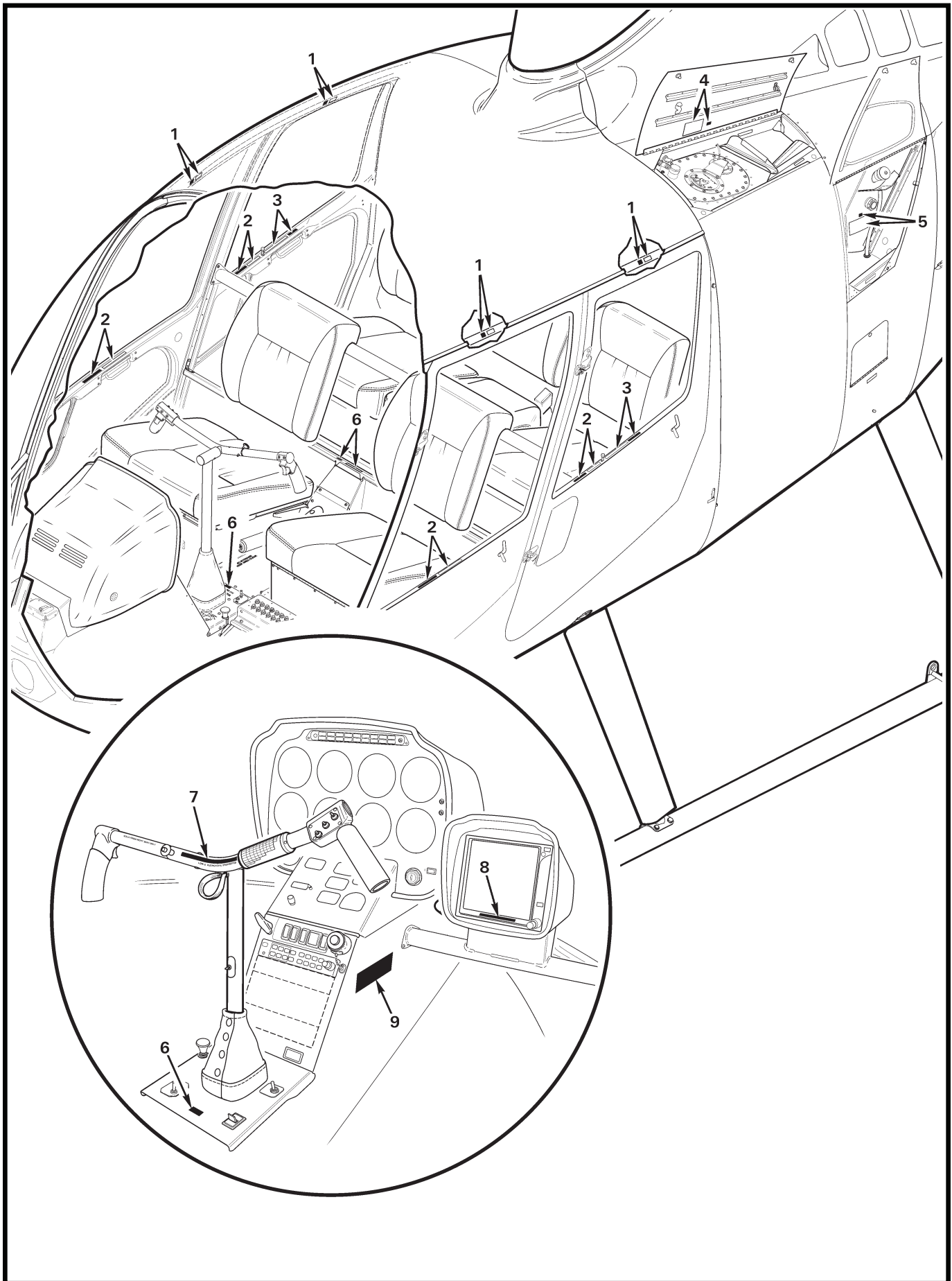


FIGURE AND INDEX NUMBER	PART NUMBER	DESCRIPTION	PARTS AVAIL	QTY PER ASSY
PLACARDS AND MARKINGS* (JAPANESE)				
11-19-1	F654-22	Decal – “EXIT” (Ref)		
	B840-27	Japanese Decal (F654-22 equivalent)	X	4
2	F654-21	Decal – “TO CLOSE SLIDE HANDLE...” (Ref)		
	B840-25	Japanese Decal (F654-21 equivalent)	X	4
3	F654-20	Decal – “PUSH TO LOCK/DO NOT LOCK IN FLIGHT” (Ref)		
	B840-26	Japanese Decal (F654-20 equivalent)	X	2
4	F654-5	Decal – “FUEL GRADE” (Ref)		
	B840-24	Japanese Decal (F654-5 equivalent)	X	1
5	F654-3	Decal – “ENGINE OIL” (Ref)		
	B840-21	Japanese Decal (F654-3 equivalent)	X	1
6	A654-17	Decal – “NO SMOKING” (Ref)		
	B840-16	Japanese Decal (A654-17 equivalent)	X	2
7	B840-20	Japanese Decal (Low-G Pushovers Prohibited)	X	1
8	B840-23	Japanese Decal (This GPS is Approved for VFR Only)	X	1
9	B840-17	Japanese Decal (Limitations)	X	1

NOTES * Decal and Marking text in quotes. Markings are silk screened on component. See also Figure 11-1.

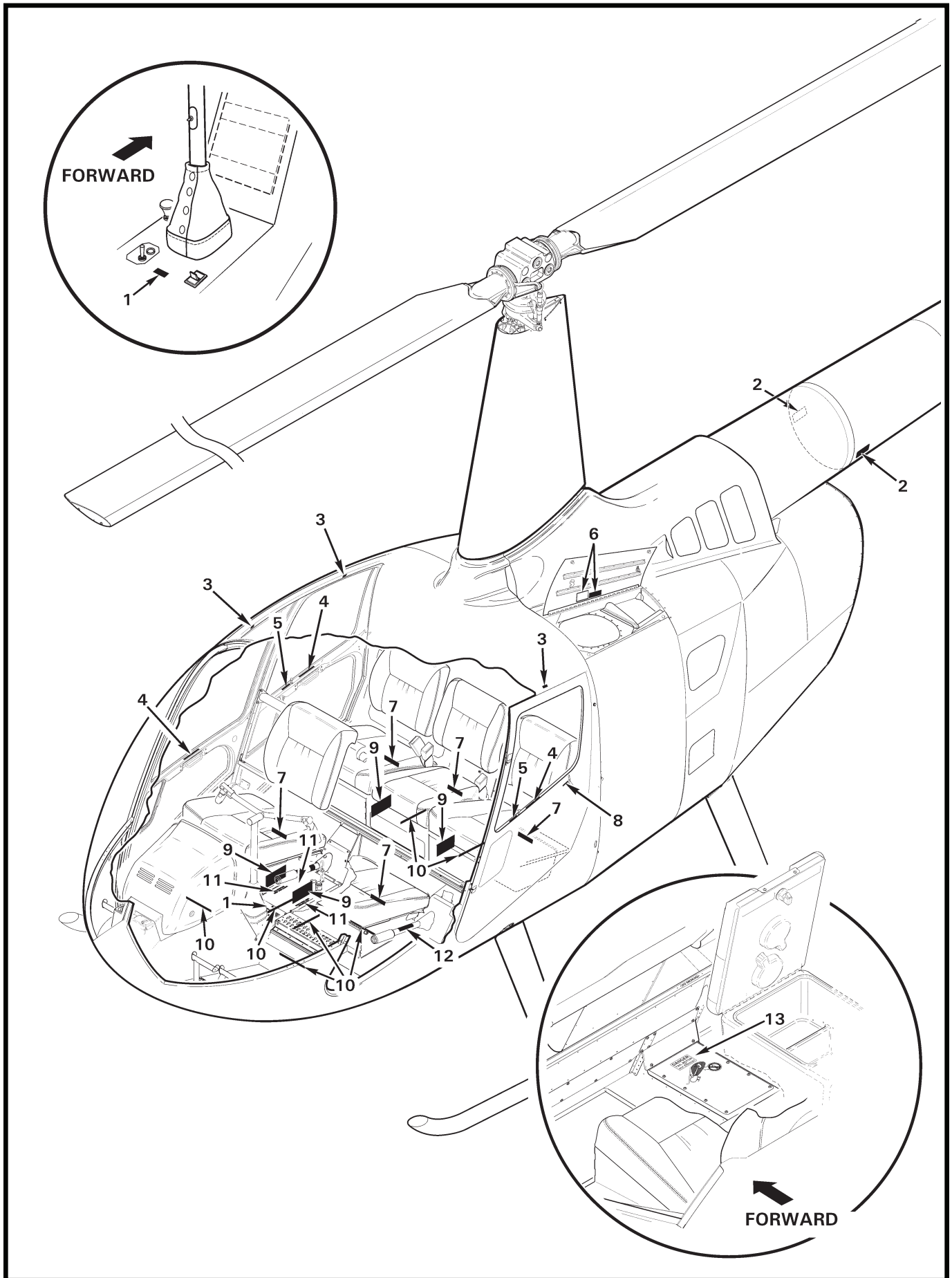


FIGURE AND INDEX NUMBER	PART NUMBER	DESCRIPTION	PARTS AVAIL	QTY PER ASSY
		PLACARDS AND MARKINGS* (RUSSIAN)		
11-21-1	F444-1	Marking – “NO SMOKING” (Ref)		
	B830-55	Russian Decal (covers marking; F444 equivalent)	X	2
2	A654-94	Decal – “DANGER HOT EXHAUST” (Ref)		
	B830-97	Russian Decal (A654-94 equivalent)	X	2
3	F654-22	Decal – “EXIT” (Ref)		
	B830-96	Russian Decal (F654-22 equivalent)	X	4
4	F654-21	Decal – “TO CLOSE: SLIDE HANDLE AFT AND DOWN...” (Ref)		
	B830-86	Russian Decal (F654-21 equivalent)	X	4
5	F654-20	Decal – “PUSH TO LOCK / DO NOT LOCK IN FLIGHT” (Ref)		
	B830-87	Russian Decal (F654-20 equivalent)	X	2
6	F654-5	Decal – “FUEL GRADE” (Ref)		
	B830-91	Russian Decal (below or adjacent to F654-5 equivalent)	X	1
7	F654-19	Decal – “ENERGY-ABSORBING SEAT / DO NOT MODIFY” (Ref)		
	B830-88	Russian Decal (F654-19 equivalent)	X	5
8	A654-12	Decal– “OPEN” (black lettering; Ref)		
	B830-25	Russian Decal (white lettering on red background; F654-12 equivalent)	X	2
	A654-10	Decal– “OPEN” (white lettering; (Ref)		
	B830-25	Russian Decal (white lettering on red background; F654-10 equivalent)	X	2
9	F654-10	Decal – “CAUTION” (Ref)		
	B830-89	Russian Decal (F654-10 equivalent)	X	4
10	F654-17	Decal – “MAX FILL LINE” (Ref)		
	B830-90	Russian Decal (F654-17 equivalent)	X	4
11	F445-1	Marking – “NO STOWAGE KEEP AREA CLEAR” (Ref)		
	F445-3	Marking – “NO STOWAGE KEEP AREA CLEAR” (float ships; Ref)		
	B830-50	Russian Decal (covers marking; F445 equivalent)	X	A/R
12	A654-21	Decal – “NO STOWAGE KEEP AREA CLEAR” (Ref)		
	B830-50	Russian Decal (A654-21 equivalent)		
		X	1
	B830-103	Russian Decal (replaces B830-50 on float ships)	X	1
13	F463-1	Marking – “DANGER TAIL ROTOR AND HOT EXHAUST” (Ref)		
	B830-92	Russian Decal (covers marking; F463-1 equivalent)	X	1

NOTES * Decal and Marking text in quotes. Markings are silk screened on component. See also Figure 11-1.

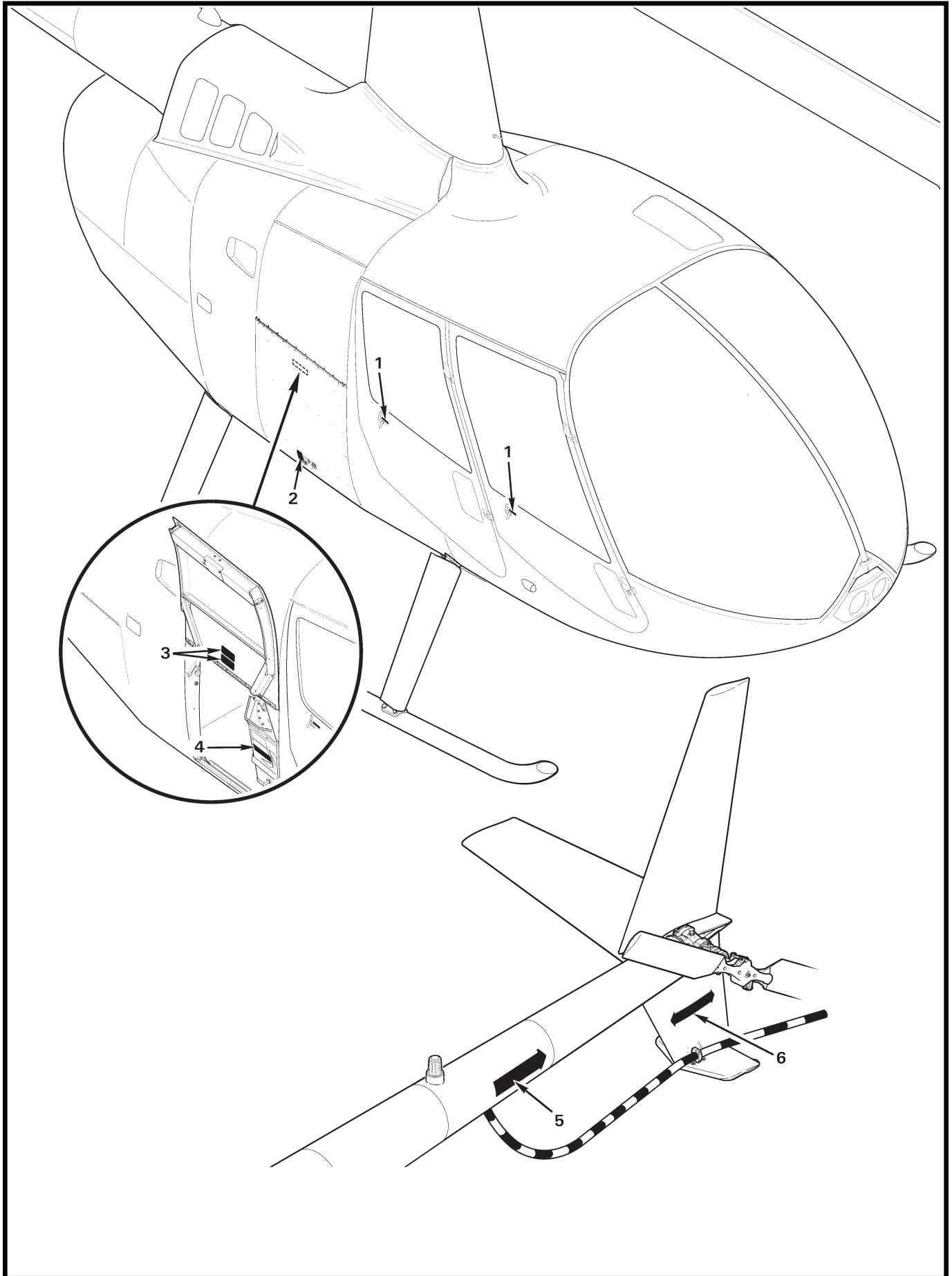


FIGURE AND INDEX NUMBER	PART NUMBER	DESCRIPTION	PARTS AVAIL	QTY PER ASSY
PLACARDS AND MARKINGS* (RUSSIAN)				
11-23-1	A654-11	Decal – “OPEN” (black lettering; Ref)		
	B830-24	Russian Decal (white text on red background; A654-11 equivalent)	X	2
	A654-9	Decal – “OPEN” (white lettering; Ref)		
	B830-24	Russian Decal (white text on red background; A654-9 equivalent)	X	2
2	F654-8	Decal – “LATCH” (black lettering; Ref)		
	B830-93	Russian Decal (F654-8 equivalent)	X	2
	F654-9	Decal – “LATCH” (white lettering; Ref)		
	B830-94	Russian Decal (F654-9 equivalent)	X	2
3	F654-7**	Decal – “CAUTION...” (Ref)		
	B830-95	Russian Decal (F654-7 equivalent)	X	1
4	F654-5**	Decal – “FUEL GRADE” (Ref)		
	B830-91	Russian Decal (F654-5 equivalent)	X	1
5	A654-3	Decal – “DANGER” (Ref)		
	B830-99	Russian Decal (trim arrow head fwd end; A654-3 equivalent)	X	2
6	C654-2	Decal – “DANGER” (Ref)		
	B830-23	Russian Decal (C654-2 equivalent)	X	2

NOTES * Decal and Marking text in quotes. Markings are silk screened on component. See also Figure 11-1.
 ** See also Figure 11-5.

Intentionally Blank