

CHAPTER 26**MAIN ROTOR**

<u>Section</u>	<u>Title</u>	<u>Page</u>
26-00	Description	26.1
26-10	Main Rotor Blades	26.1
26-11	Blade Boots	26.6
26-12	Filling Pitch Bearing Housing	26.9
26-20	Main Rotor Hub	26.10
26-21	Bearing Replacement	26.12
26-30	Main Rotor Assembly	26.15
26-31	Journal and Shim Calculations	26.15
26-32	Adjusting Hinge Friction	26.20
26-33	Shifting the Main Rotor Hub	26.21
26-34	Drilling Installed Main Rotor Hub Bolts	26.21
26-40	Inspection of Main Rotor Blades	26.23
26-41	Scratches and Corrosion on Blade Skins and Doublers	26.23A
26-42	Dents	26.25
26-43	Root Fitting Damage	26.27
26-44	Voids	26.29
26-50	Repair of Main Rotor Blades	26.31
26-51	Trimming	26.33
26-52	Painting	26.33
26-60	Main Rotor Blade Tip Maintenance	26.35

Intentionally Blank

CHAPTER 26

MAIN ROTOR

26-00 Description

The main rotor has two all-metal blades mounted to the hub by coning hinges. The hub is mounted to the shaft by a teeter hinge. The coning and teeter hinges use self-lubricated bearings. Droop stops for the main rotor blades provide a teeter hinge friction restraint which normally prevents the rotor from teetering while starting or stopping. Pitch change bearings for each blade are enclosed in a housing at the blade root. The housing is filled with oil and sealed with an elastomeric boot. Each blade has a thick stainless steel spar at the leading edge which is resistant to corrosion and erosion. The skins are bonded to the spar approximately one inch aft of the leading edge. Blades must be refinished if the paint erodes to bare metal at the skin-to-spar bond line. Bond may be damaged if bond line is exposed.

26-10 Main Rotor Blades**WARNING**

Due to potentially destructive results, use of blade tape (anti-erosion tape) is prohibited.

A. Removal

Refer to Figure 26-1. Four people will be required to remove the blades. One person must support the blade near the blade tip while another supports the root and removes or installs the attachment bolt.

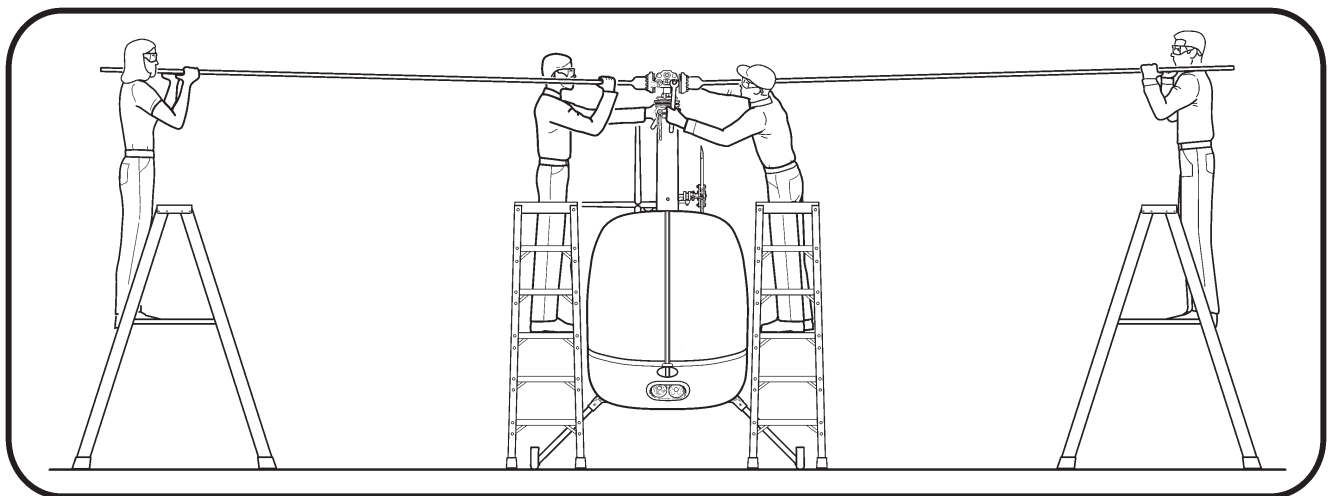


FIGURE 26-1 SUPPORTING MAIN ROTOR BLADES DURING BLADE REMOVAL OR INSTALLATION

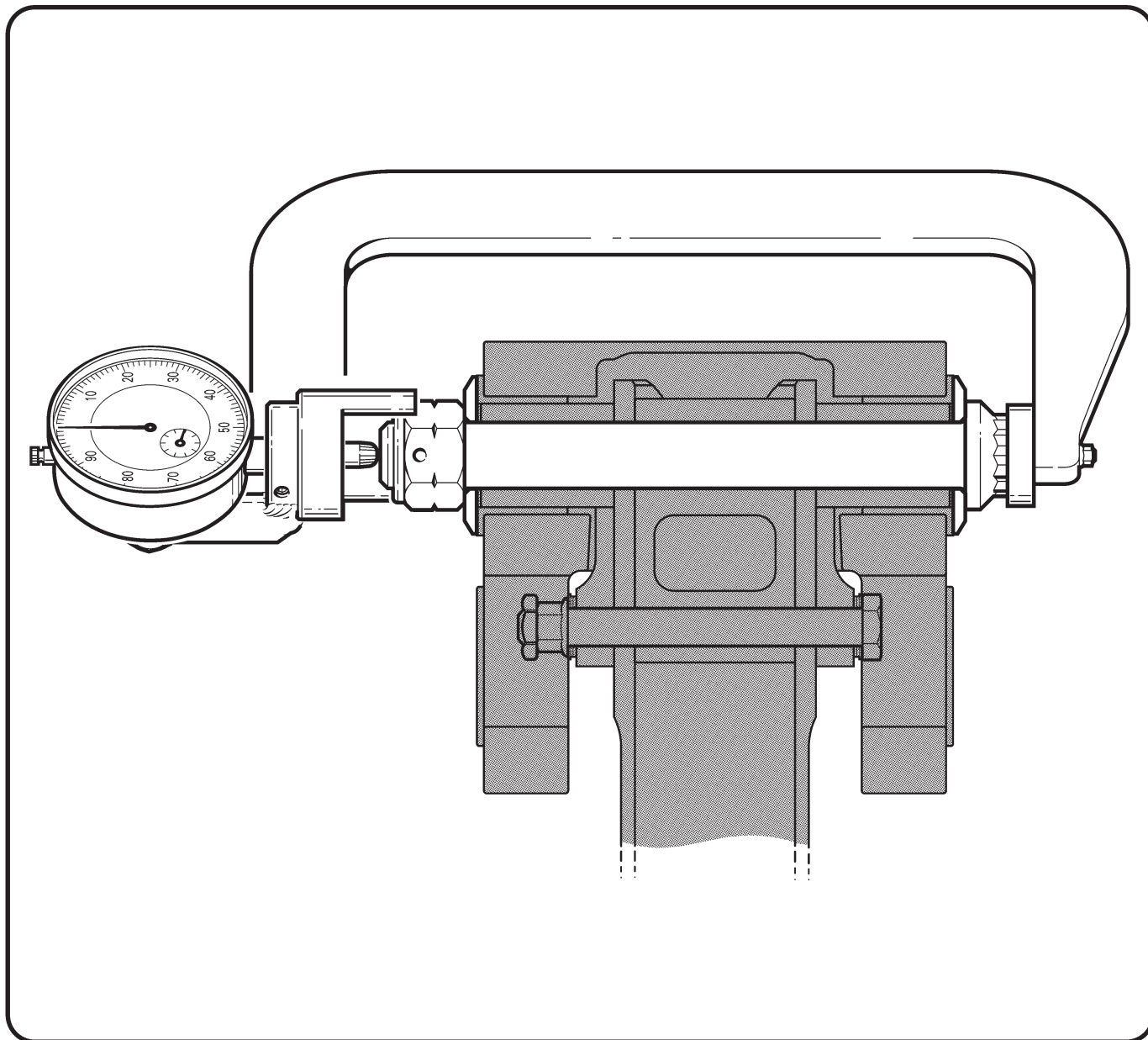


FIGURE 26-2 MEASURING BOLT STRETCH (SHOWN ON TEETER BOLT, BLADES REMOVED)

26-10 Main Rotor Blades (continued)**A. Removal (continued)**

1. Mark one main rotor blade and its corresponding hub location, pitch link, and retaining nut & bolt with "X" using a marker or grease pencil. Mark opposite blade and its hub location, pitch link, and retaining nut & bolt with "O".
2. Measure and record coning hinge axial gaps per Figure 26-8.
3. Remove hardware securing main rotor pitch links to blade pitch horns.
4. Remove cotter pins and loosen blade coning hinge retaining nuts until finger tight.

CAUTION

After removing one blade, support installed blade in a level position until it is removed.

5. Remove nut, thrust washer, and trailing-edge shims (if used) from one blade. Cone blade as required to position spindle tusk off of droop stop. Supporting blade at root, rotate pitch horn down, and remove hinge bolt and thrust washer.

CAUTION

Do not drop journals (inside hub bearings) which can slide out when removing blade bolt.

NOTE

Blade installation hardware is specific to each blade, each blade's leading and trailing edge, and each blade's location in hub. It is good practice after blade removal to install hardware in hub finger tight exactly as removed.

6. Place blade on a cushioned surface to prevent damage to skins.
7. Remove opposite blade per steps 5 and 6.

26-10 Main Rotor Blades (continued)**B. Installation**

1. Identify hub and spindle part numbers and ensure correct corresponding installation hardware.
2. Check teeter hinge friction and adjust as required per § 26-32.
3. If coning hinge axial gap recorded during blade removal was beyond tolerance, or if corresponding hub bearing(s) or spindle was replaced, perform coning hinge journal and shim calculation per § 26-31.
4. Level hub and insert journals in hub bearings. Install thrust washer on blade bolt.
5. Insert main rotor blade spindle in hub and align spindle and journal bores. Cone blade as required to position tusk off of droop stop. Rotate pitch horn down and install hinge bolt at leading-edge side.

NOTE

A bolt may be inserted from trailing-edge side to align spindle and journal bores (it is pushed out as coning hinge bolt is installed).

6. Install trailing-edge shims (if used) and thrust washer. Apply light coat A257-9 anti-seize to bolt threads and nut face. Install nut finger tight.

NOTE

Do not allow anti-seize to contact journals, shims, or hub bearing areas. These areas must be clean and dry.

CAUTION

After installing one blade, support blade in a level position until opposite blade is installed.

7. Install opposite blade per steps 4 thru 6.
8. Tighten nut on coning hinge bolt until journals and thrust washer are firmly seated. Loosen nut until both thrust washers can be freely rotated.
9. Refer to Figure 26-2. Install MT122 main rotor bolt elongation (stretch) tool on hinge bolt. Zero dial indicator by rotating dial face and lock dial. Remove tool.
10. Using wrenches with at least 150 ft-lb torque capacity, tighten nut until drilled holes in nut and bolt align. Install MT122 tool and measure bolt elongation:

WARNING

Do not under-stretch or over-stretch teeter or coning hinge bolts to obtain proper clamping force. Under-stretching or over-stretching can cause failure.

26-10 Main Rotor Blades (continued)**B. Installation (continued)**

10. a. A154-1 hub with NAS630-80 (or MS21250-10080) coning hinge bolts:
 - i. If bolt elongation is 0.015–0.017 inch, remove tool and install a new cotter pin wet with approved primer (chromate primer preferred; refer to § 23-75).
 - ii. If bolt elongation is not 0.015–0.017 inch, remove old nut and old bolt and install a new bolt and a new nut. Stretch new bolt per § 23-33, and drill new nut and bolt per § 26-34. Install a new cotter pin wet with approved primer.
- b. B370-1 hub with NAS632-82 (or MS21250-12082) coning hinge bolts:
 - i. If bolt elongation is 0.010–0.012 inch, remove tool and install a new cotter pin wet with approved primer (chromate primer preferred; refer to § 23-75).
 - ii. If bolt elongation is not 0.010–0.012 inch, remove old nut and old bolt and install a new bolt and a new nut. Stretch new bolt per § 23-33, and drill new nut and bolt per § 26-34. Install a new cotter pin wet with approved primer.
11. Install hardware securing main rotor pitch link to pitch horn. Standard torque hardware per § 23-32 and torque stripe per Figure 2-1.
12. Perform steps 8 thru 11 on opposite blade.
13. Track and balance main rotor blades per § 10.230.

CAUTION

When fitting a replacement main rotor blade(s), remove both main rotor blade tip covers after initial run-up and clean out debris.

26-11 Blade Boots**A. Removal**

1. Remove main rotor blades per § 26-10.
2. Place a suitable drain container below pitch horn. Remove two B289-2 bolts and drain fluid.
3. Remove outer boot clamp and hold boot back to expose inner boot clamp. Remove inner clamp and peel boot from spindle.

B. Installation

1. Visually inspect and verify boot is undamaged. Carefully stretch new boot over spindle.
2. Solvent-clean surfaces clamped by boot inner lip. Properly position boot inner lip; install A165-1 (inner) clamp assembly and tighten clamp to 2.330 ± 0.005 inch outside diameter. Rotate spindle and verify adequate clearance between clamp assembly and pitch horn.

NOTE

When installing inner clamp, ensure that shoulder of boot inner lip is not wedged beneath clamp or clamp may loosen in service. Inspect boot interior and verify no cuts or punctures.

3. Stretch boot outer lip over pitch horn flange. Rotate spindle and align pitch horn bolt hole with spindle bolt hole per Figure 26-3. Install A165-7 (outer) clamp assembly and tighten clamp. Verify security.
4. Fill root fitting per § 26-12.

Intentionally Blank

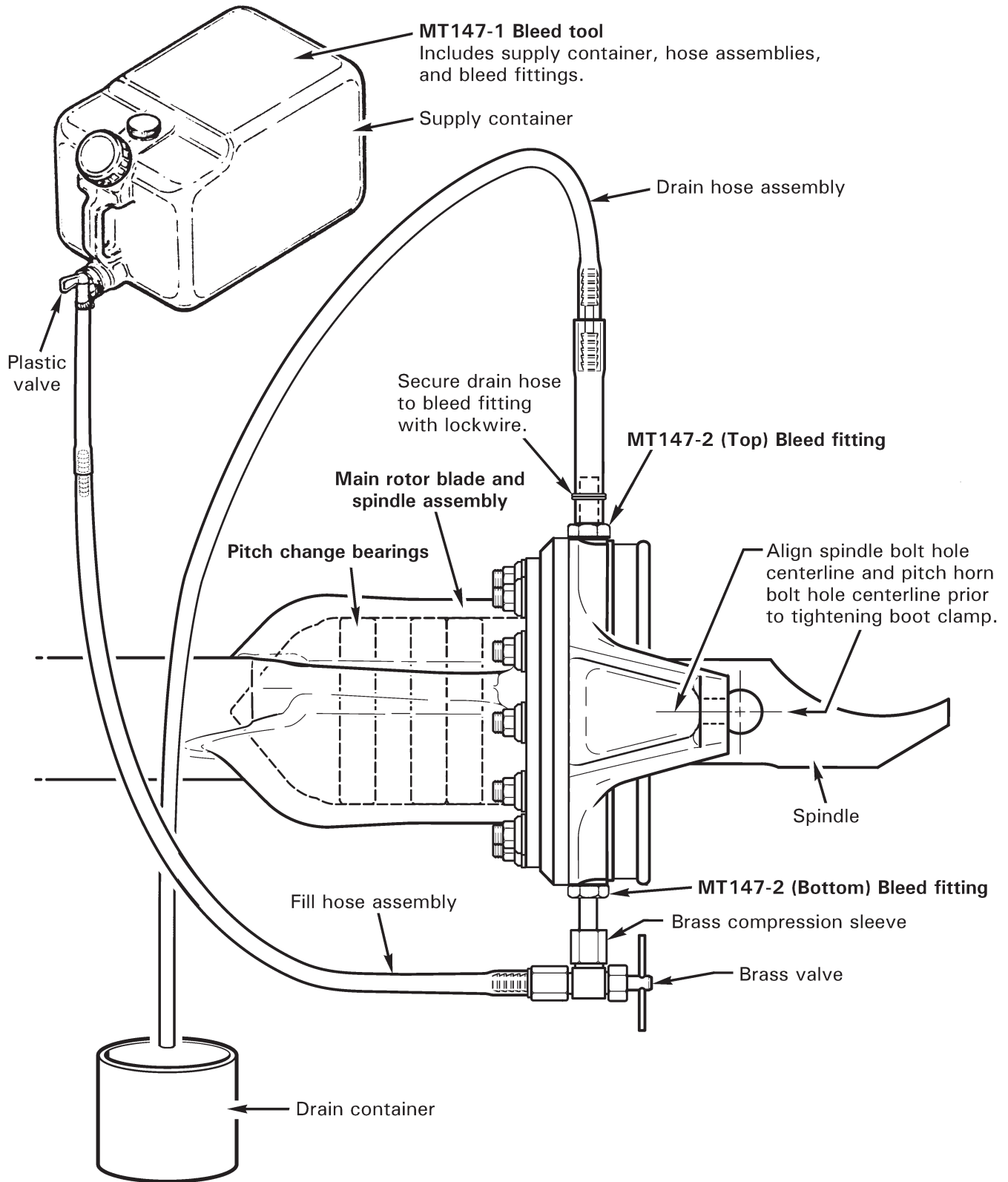


FIGURE 26-3 FILLING PITCH BEARING HOUSING

26-12 Filling Pitch Bearing Housing

NOTE

MT147-1 Main rotor blade spindle air bleed tool includes supply container, hose assemblies, and bleed fittings.

WARNING

Refer to Safety Data Sheets (SDS) and observe precautions when working in proximity to hazardous materials.

1. Remove main rotor blades per § 26-10.
2. Refer to Figure 26-3. Place a suitable drain container below main rotor pitch horn. Remove two B289-2 bolts from pitch horn and drain fluid.
3. Install MT147-2 bleed fittings into pitch horn openings. Attach drain hose assembly to (top) bleed fitting, secure with two wraps of lockwire. Position drain hose into drain container.
4. Place supply container with sufficient A257-4 fluid approximately 3 feet above spindle. Route fill hose assembly into drain container and open brass valve. Open supply container plastic valve and purge air from fill hose. Close valves.
5. Connect brass valve to (bottom) bleed fitting by tightening brass compression sleeve.
6. Open valves and fill spindle housing until no air bubbles are visible in drain hose assembly. Massage spindle boot, oscillate spindle, and raise blade tip up & down to remove trapped air.
7. Remove drain hose assembly and (top) bleed fitting, and install B289-2 bolt. Roll the blade over. After five minutes, inspect the boot for leaks. If no leaks are found, close valves, remove fill hose assembly brass valve and (bottom) bleed fitting, and install other bolt.
8. Special torque B289-2 bolts per § 23-33 and torque stripe per Figure 2-1.
9. Repeat steps for opposite blade.

26-20 Main Rotor Hub**A. Removal**

1. Remove main rotor blades per § 26-10.
2. Refer to Figure 26-5. Mark rotor hub using a grease pencil, tape, or soft marker as follows:
 - a. Indicate nut side of teeter bolt.
 - b. Indicate chord arm side of drive shaft.
3. If same hub will be installed, measure teeter hinge friction per Figure 26-9 and record value.
4. Remove cotter pin, nut, A152 thrust washers, A117 shims, A106 journals, and bolt. Rotate hub as required and remove hub. Do not drop thrust washers or journals.
5. Reinstall bolt, thrust washers, shims, journals, and nut in rotor hub exactly as removed.

CAUTION

Main rotor chordwise balance is adjusted using A106 journals and A117 shims. If assembly stack-up is altered, an out-of-balance condition can occur.

B. Installation

1. Clean and dry teeter hinge hardware using approved solvent per § 23-70. Inspect journals and thrust washers for chipping of chrome plating, corrosion, and/or wear grooves extending through chrome plating. Replace journal or thrust washer if any of these conditions exist.
2. If teeter hinge friction recorded during hub removal was less than 5 ft-lb or more than 15 ft-lb, if teeter hinge hub bearing(s) was replaced, or if previous installation information is unavailable, perform teeter hinge journal and shim calculation per § 26-31.
3. Refer to Figure 26-5. Line up mark on hub with chord arm on drive shaft. Install teeter hinge bolt, thrust washers, shims, and journals (if previous installation information is available, install parts exactly as removed).

26-20 Main Rotor Hub (continued)**B. Installation (continued)**

4. Coat nut face and bolt threads with A257-9 anti-seize compound, install and tighten nut, then loosen nut until both thrust washers can be freely rotated. Ensure journals do not “pinch” droop stops and fully contact drive shaft.

WARNING

Do not allow anti-seize compound to contaminate drive shaft, journals, shims, or thrust washer inner faces. Contamination prevents proper joint clamp-up and may cause failure.

5. Refer to Figure 26-2. Install MT122 main rotor bolt elongation (stretch) tool on teeter bolt. Zero dial indicator by rotating dial face and lock dial. Remove tool.
6. Using wrenches with at least 150 ft-lb torque capacity, tighten nut until drilled holes in nut and bolt align. Install MT122 tool and measure bolt elongation:
 - a. If bolt elongation is 0.015–0.017 inch, remove tool and verify correct teeter hinge friction per § 26-32. Adjust teeter hinge friction as required.
 - b. If bolt elongation is not 0.015–0.017 inch, remove old nut and old bolt and install a new bolt and a new nut. Stretch new bolt per § 23-33 and verify correct teeter hinge friction per § 26-32. Adjust teeter hinge friction as required. Drill new nut and bolt per § 26-34.

WARNING

Do not under-stretch or over-stretch teeter or coning hinge bolts to obtain proper clamping force. Under-stretching or over-stretching can cause failure.

7. Install a new cotter pin wet with approved primer (chromate primer preferred; refer to § 23-75).

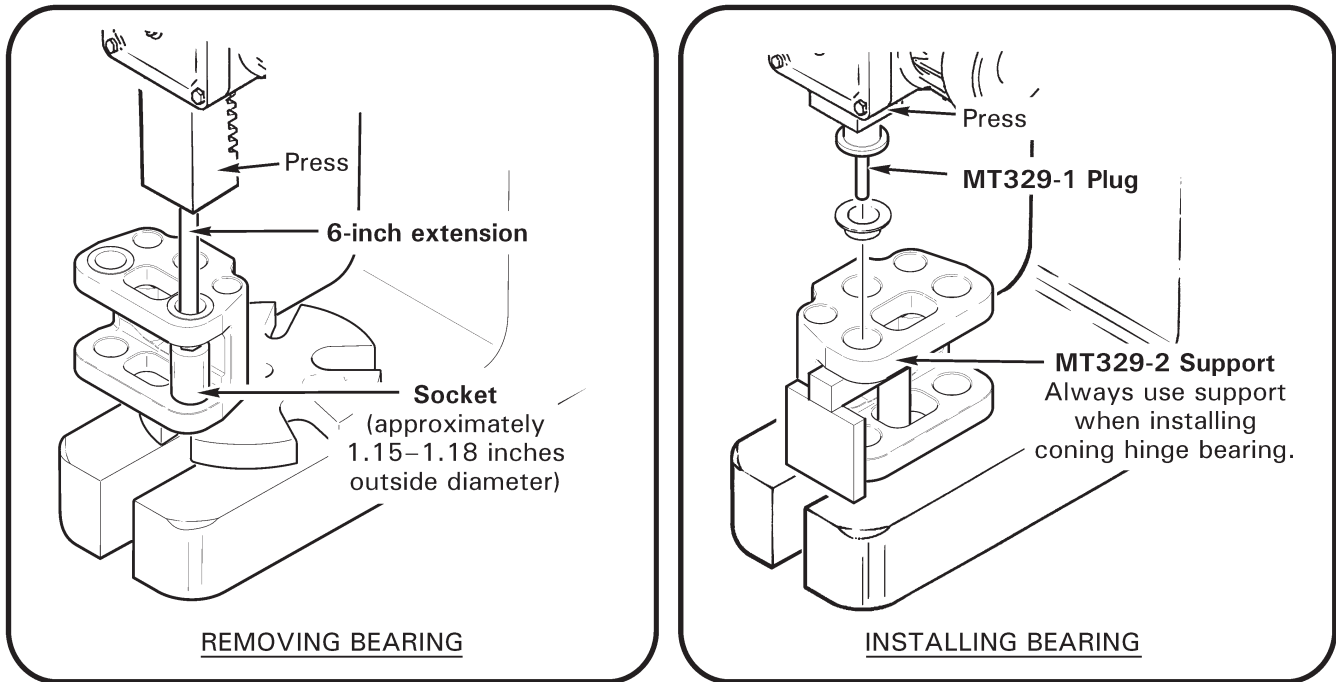


FIGURE 26-4 MAIN ROTOR HUB BEARING REPLACEMENT

26-21 Bearing Replacement

1. Remove main rotor hub per § 26-20.
2. Refer to Figure 26-4. Verify tooling surfaces are smooth to avoid damaging hub and bearings. Press A648-1 and/or A648-3 bearing(s) from hub using MT329-1 plug assembly (Rev H or subsequent) with MT329-10 tube. Press A648-2 bearing(s) from hub using MT329-11 plug assembly with MT329-10 tube.
3. Visually inspect hub bearing bore(s) per § 2.610 step 3a.

NOTE
Do not allow primer to contact bearing's Teflon liner.

4. Verify bearing mating surfaces are smooth and clean and apply light coat of approved primer (chromate primer preferred; refer to § 23-75). If visible, orient coning hinge bearing's Teflon liner seam toward top of hub. While approved primer is wet, press in new A648-1 and/or A648-3 bearing(s) using MT329-1 plug assembly or A648-2 bearing(s) using MT329-11 plug assembly (always use MT329-13 or MT329-2 [A154-4 Hub] support when replacing coning hinge bearing) until bearing flange is completely seated against hub.
5. Using a syringe, seal between bearing's outboard flange and hub and bearing's inboard edge and hub with small fillet of approved primer.

Intentionally Blank

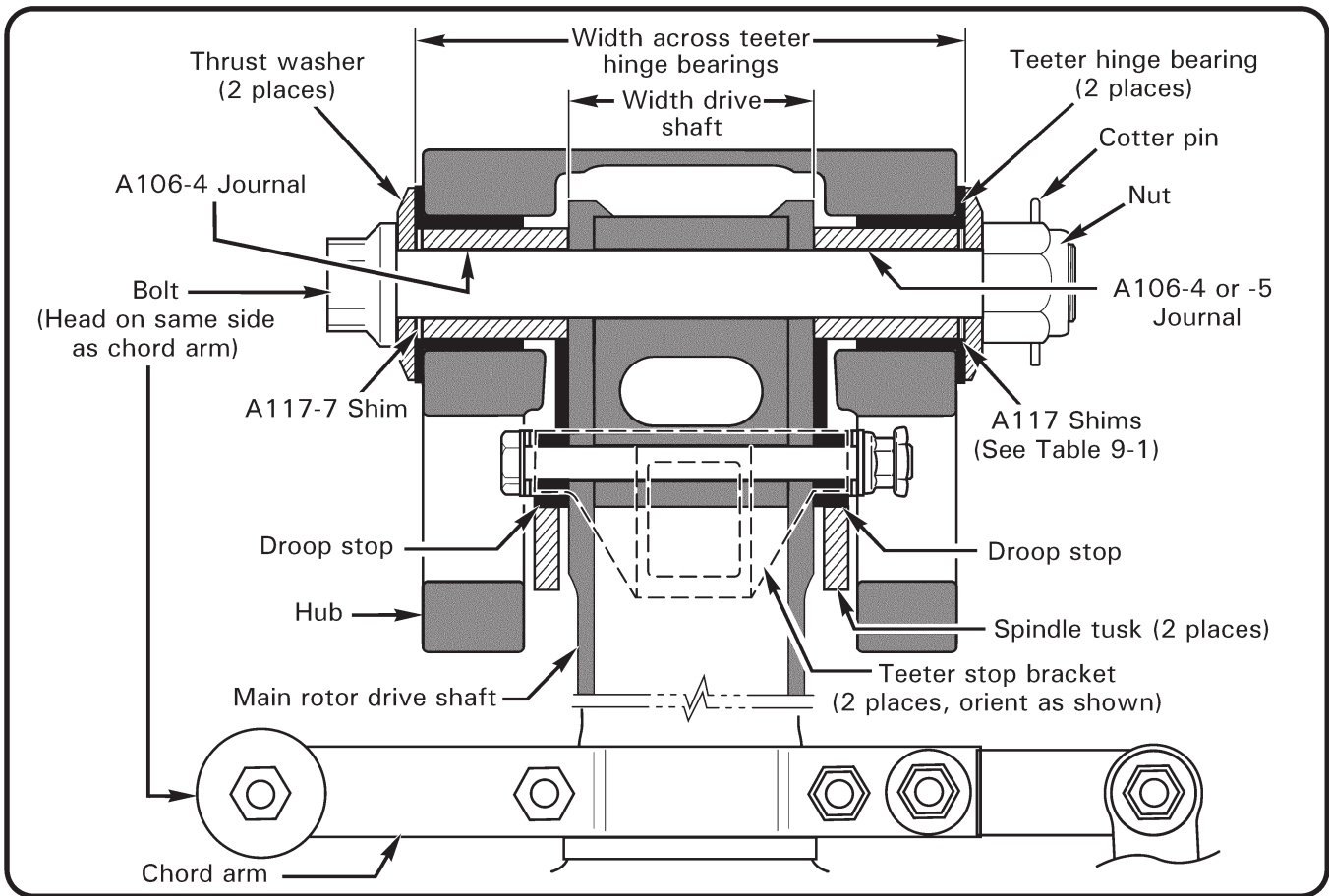


FIGURE 26-5 TEETER HINGE (HUB INSTALLATION)

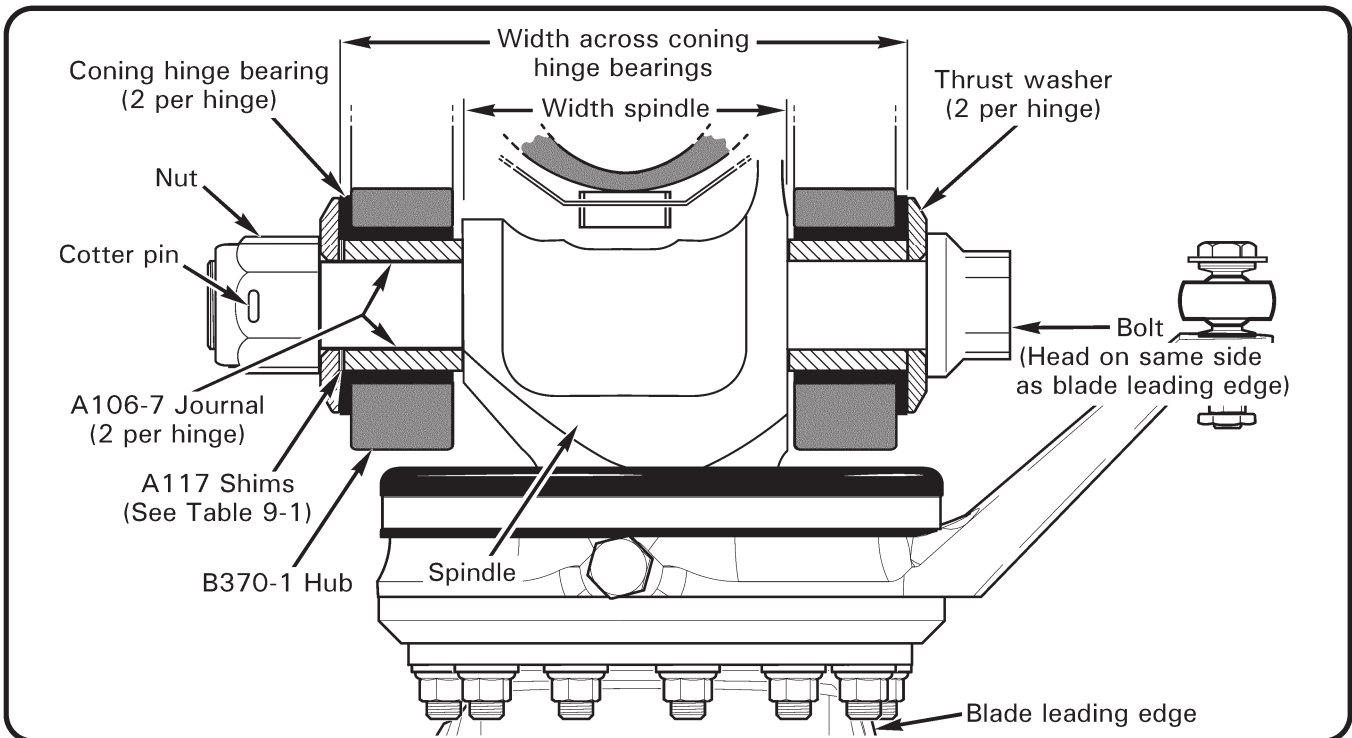


FIGURE 26-6 B370-1 HUB CONING HINGE (BLADE INSTALLATION; VIEW LOOKING DOWN)

26-30 Main Rotor Assembly26-31 Journal and Shim Calculations

Refer to Table 26-1 and Figures 26-5, 26-6, and 26-7.

A. Teeter Hinge Calculation

1. Measure main rotor hub width across the teeter hinge bearing faces: _____ in.
2. Subtract measured width of A251 driveshaft at teeter hinge bolt hole: – _____ in.
Calculated empty space: = _____ in.
3. Assemble thrust washer, one A117-7 shim (0.020 inch), and one A106-4 journal (1.300 inches) under the teeter bolt head and insert bolt thru hub and drive shaft.
Subtract combined measured thickness of A117-7 shim &
A106-4 journal: – _____ in.
Difference: = _____ in.
4. Subtract measured length of nut-side A106-4 or A106-5 journal: – _____ in.
Difference: = _____ in.

CAUTION

Initial teeter hinge hardware stack-up must be adjusted to 0.005/0.008 inch greater than calculated empty space. A smaller initial stack-up could damage thrust washers and hub bearings during installation.

5. To accommodate dimensional change due to clamping force, add: + 0.005/
0.008 in.
/
Initial A117 shim stack between nut-side journal & thrust washer: = _____ in.

NOTE

Use as many different size A117 shims as possible to facilitate head shifting during balancing.

6. Refer to § 26-32. Adjust shim stack as required to meet teeter hinge friction requirement (less than 15 ft-lb).

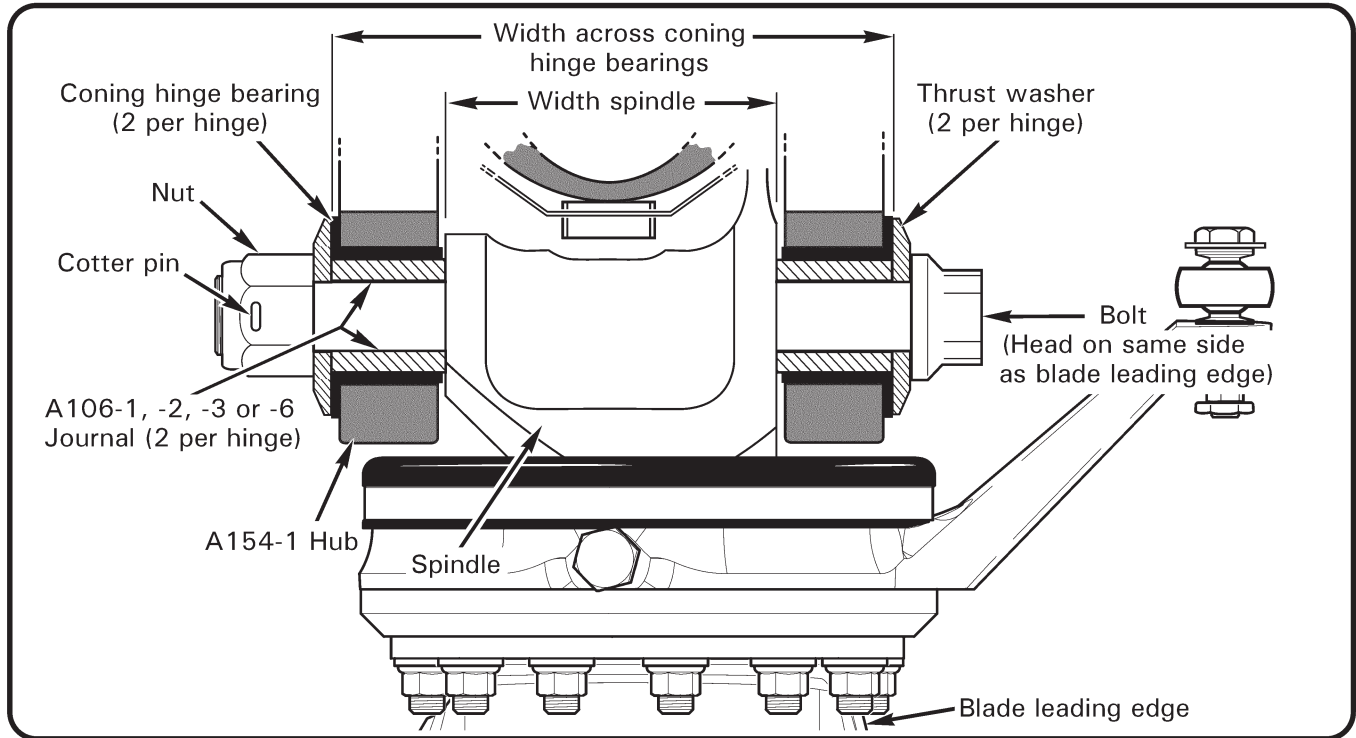


FIGURE 26-7 A154-1 HUB CONING HINGE (BLADE INSTALLATION; VIEW LOOKING DOWN)

A106 Journal Lengths

Part No.	Length	Location
A106-1	1.000 in.	Coning hinge, no shims (A154-1 Hub)
A106-2	0.995 in.	Coning hinge, no shims (A154-1 Hub)
A106-3	0.990 in.	Coning hinge, no shims (A154-1 Hub)
A106-4	1.300 in.	Teeter hinge (two, or one + A106-5 per hinge), shims
A106-5	1.260 in.	Teeter hinge (none, or one + A106-4 per hinge), shims
A106-6	1.005 in.	Coning hinge, no shims (A154-1 Hub)
A106-7	1.005 in.	Coning hinge (B370-1 Hub)

A117 Shim Sizes

Part No.	Thickness	Location (Between thrust washer and journal)
A117-5	0.012 in.	Teeter hinge
A117-6	0.015 in.	Teeter hinge
A117-7	0.020 in.	Teeter hinge
A117-8	0.025 in.	Teeter hinge
A117-48	0.012 in.	Coning hinge (B370-1 Hub)
A117-49	0.015 in.	Coning hinge (B370-1 Hub)
A117-50	0.020 in.	Coning hinge (B370-1 Hub)
A117-51	0.025 in.	Coning hinge (B370-1 Hub)

TABLE 26-1 A106 JOURNAL LENGTHS AND A117 SHIM SIZES

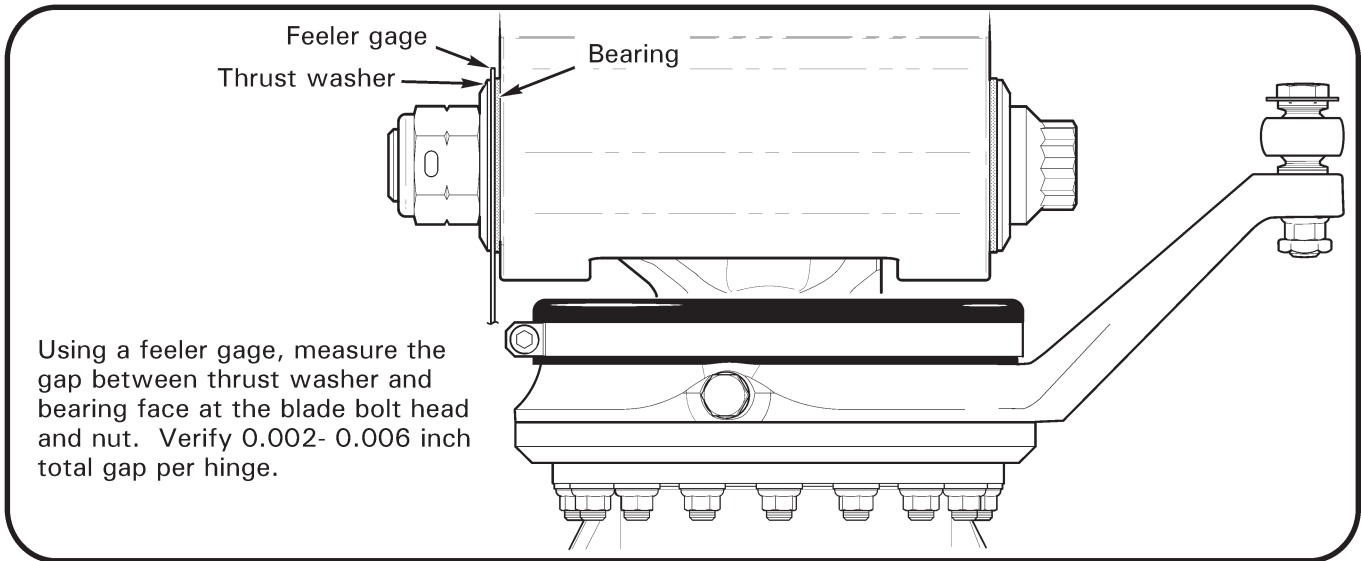


FIGURE 26-8 MEASURING CONING HINGE AXIAL GAP

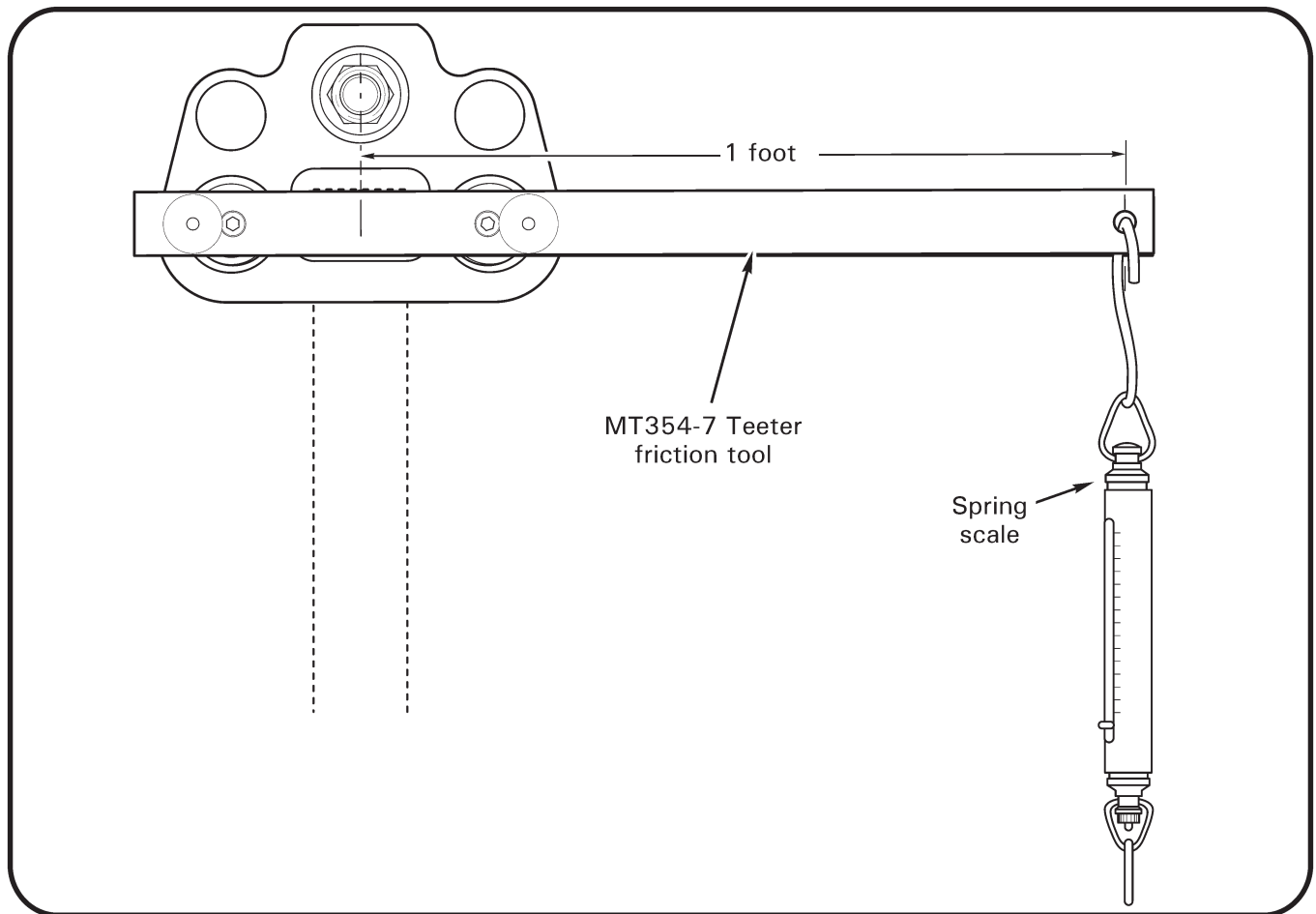


FIGURE 26-9 MEASURING TEETER HINGE FRICTION

26-31 Journal and Shim Calculations (continued)**B. Coning Hinge Calculation (continued)**A154-1 Hub:

1. Measure main rotor hub width across the coning hinge bearing faces: _____ in.
2. Subtract measured width of blade spindle at coning hinge bolt hole: – _____ in.
Calculated empty space: = _____ in.

CAUTION

Initial coning hinge hardware stack-up must be adjusted to 0.003/0.006 inch greater than calculated empty space. A smaller initial stack-up could damage thrust washers and hub bearings during installation.

3. To accommodate dimensional change due to clamping force, add: + 0.003/
0.006 in.
/

Sum: = _____ in.
4. Select a combination of A106-1, -2, -3, or -6 journals whose combined measured lengths equal Sum. The same journal dash number must be used under the head of both coning hinge bolts to maintain symmetry.
5. Adjust journal combination as required to meet coning hinge axial gap requirement per Figure 26-8 and to maintain teeter friction requirement as follows: It must be possible to manually cone each blade without teetering the hub when blades are held up off the droop stops and lifted at tip.

26-32 Adjusting Hinge Friction

A. Teeter Hinge Friction Adjustment

1. Remove main rotor blades per § 26-10.
2. Refer to Figure 26-5 and Table 26-1. Remove cotter pin, nut, thrust washer, and nut-side A117 shims. Adjust teeter hinge friction by changing nut-side shim stack thickness in small increments; reducing shim stack thickness increases friction, increasing shim stack thickness reduces friction. Install shims, thrust washer, and nut.
3. Refer to Figure 26-9. While torquing teeter hinge bolt per § 23-33, check teeter hinge friction frequently. To check friction, install MT354 teeter friction tool into coning hinge bearings on one side of main rotor hub and measure moving force (not breakaway force) required to teeter main rotor hub with a spring scale. Teeter friction must be less than 15 ft-lb.
4. Install a new bolt and nut per § 26-20.

B. Coning Hinge Friction Adjustment

1. Refer to Figure 26-6 and Table 26-1. Remove cotter pin, nut, thrust washer, and cone blade to remove nut-side journal.
 - a. B370-1 Hub: Adjust coning hinge friction by changing trailing-edge shim stack thickness in small increments; reducing shim stack thickness increases friction, increasing shim stack thickness reduces friction. Coning hinge friction is zero when there is a measurable axial gap per Figure 26-8. Install shims, thrust washer, and nut.
 - b. A154-1 Hub: Adjust coning hinge friction by changing trailing-edge journal length in small increments; using a shorter journal increases friction, using a longer journal reduces friction. Coning hinge friction is zero when there is a measurable axial gap per Figure 26-8. Install journal, thrust washer, and nut.
2. Install a new bolt and nut per § 26-20, steps 5 thru 7. Repeat steps for opposite blade.
3. Check coning hinge friction by lifting blades until spindle tusks clear droop stops. Hold one blade level and cone opposite blade. Rotor hub must not teeter as blade is coned. Repeat check on opposite blade.
4. Using a feeler gage, measure gap between thrust washers and bearing faces at coning hinge bolt head and nut. Verify 0.002-0.006 inch total gap per hinge.
5. Drill nut and bolt per § 26-34. Install a new cotter pin wet with approved primer (chromate primer preferred; refer to § 23-75).

26-33 Shifting the Main Rotor Hub

1. Remove cotter pin, nut, thrust washer, and nut-side A117 shims.
2. Have two people cone the main rotor blades. Push out teeter hinge bolt with another bolt.
3. Move or exchange existing shims from one side of hub to the other as indicated by main rotor balance chart (refer to § 10.230).
4. Install teeter hinge bolt per § 26-20.

26-34 Drilling Installed Main Rotor Hub Bolts**NOTE**

Protect hub from damage due to chuck contact by wrapping chuck and/or covering hub edge with several layers of tape.

New bolts and nuts must be installed and bolts stretched per § 23-33 prior to drilling.

Using a 0.125-inch diameter Cobalt twist-drill and cutting oil, drill a hole through nut and bolt using an accessible pre-drilled hole in nut. The MT569-1 and MT569-6 (B370-1 hub coning hinge bolts) drill guide assembly will facilitate drilling a perpendicular hole. If a pre-drilled hole is inaccessible, completely loosen nut, slightly rotate bolt to favorable position, then special torque per § 23-33. Protect adjacent area from drilling debris.

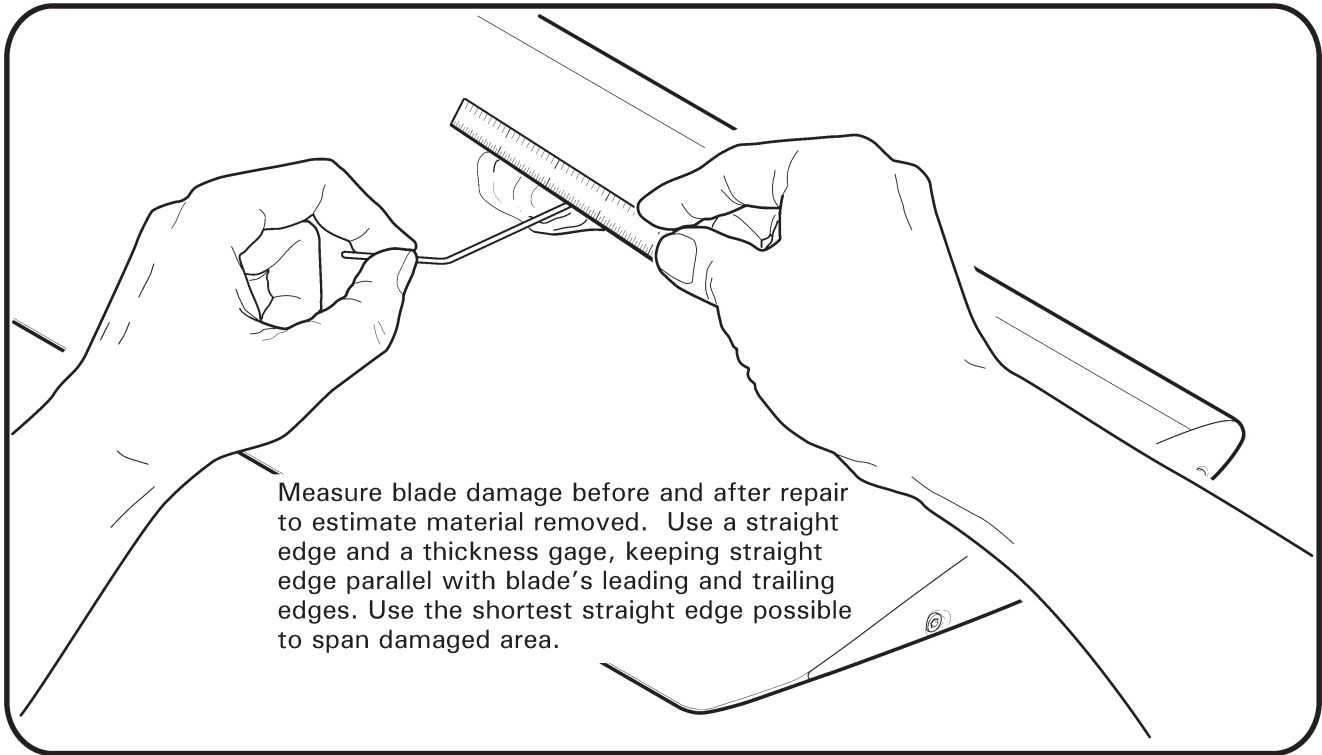


FIGURE 26-10 MEASURING MAIN ROTOR BLADE DAMAGE

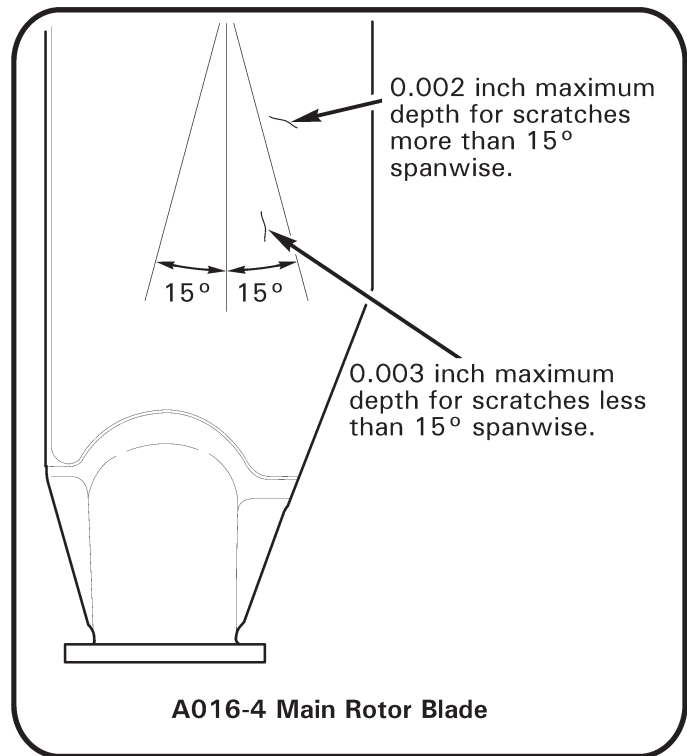
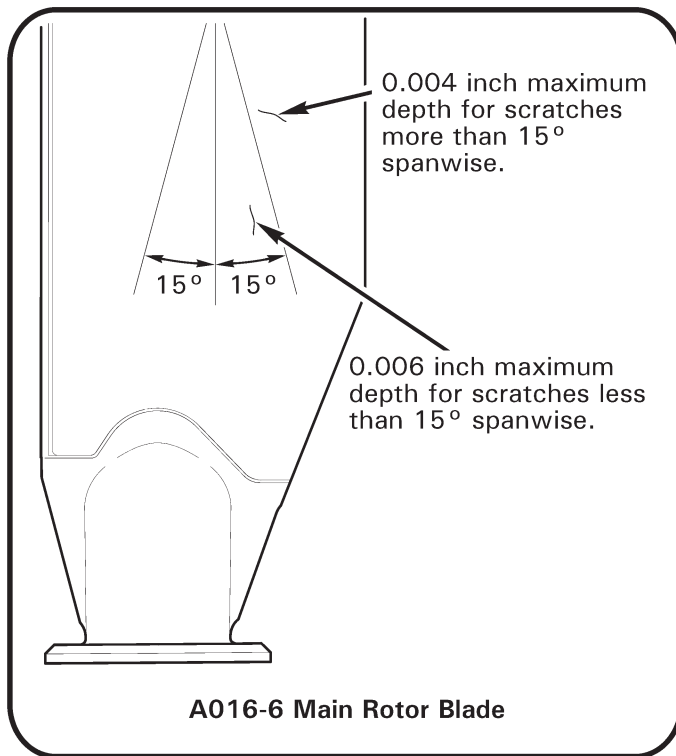


FIGURE 26-11 SCRATCH LIMITS

26-40 Inspection of Main Rotor Blades**NOTE**

Main rotor blades are 14 CFR § 27.602 critical parts. Notify RHC Technical Support when voids exceeding the limits specified in the instructions below are found, providing blade serial number, helicopter serial number, time in service for the rotor blade, and location and size of the voids that exceed the limits.

NOTE

The inspection criteria in this section applies to blade damage that occurs after blade manufacturing (including shipping and handling and time in service). Damage after blade manufacturing usually exhibits paint scuffing, scratches, or freshly-exposed metal in the form of scratches in the finish. If a blade manufacturing irregularity is suspected, contact RHC Technical Support.

CAUTION

A blade may be repaired more than one time. However, in no case can more than the maximum material be removed or the maximum dent depth be exceeded in any one location.

CAUTION

Any blade that encounters inspection-penetrant (dye or fluorescent) of a blade bond joint is scrap.

A. Measuring Damage

1. Refer to Figure 26-10. Measure blade damage using a straight edge and a thickness gage. Keep straight edge parallel with the leading and trailing edges.
2. If blades are installed on the helicopter, measure damage using the shortest straight edge possible to span damaged area. Using a straight edge of excessive length will cause a false reading due to natural droop of the blade.

B. Measuring Material Removed After Repair

1. Use calipers or micrometers and compare measurements before and after repair to estimate amount of material removed.
2. Use a straight edge and thickness gage to measure repaired areas less than 2 inches across in the blade skins and spar.

26-41 Scratches and Corrosion on Blade Skins and Doublers

1. Refer to Figure 26-11. Damage may not exceed the following limits after rework:

A016-6 Blades:

- a. 0.004 inch maximum depth for scratches more than 15° from spanwise axis.
- b. 0.006 inch maximum depth for scratches less than 15° from spanwise axis.
- c. 0.012 inch maximum corrosion between RS 127.0 and RS 151.1.
- d. 0.008 inch maximum corrosion between RS 75.5 and RS 127.0.
- e. 0.006 inch maximum corrosion between RS 21.0 and RS 75.5.
- f. 0.010 inch maximum corrosion between RS 10.4 and RS 21.0.

A016-4 Blades:

- a. 0.002 inch maximum depth for scratches more than 15° spanwise.
- b. 0.003 inch maximum depth for scratches less than 15° spanwise.

2. Refer to § 26-50 for repair procedures for damage within limits. Polish out scratches and corrosion greater than 0.0005 inch deep using a 0.10 inch blend radius.

Intentionally Blank

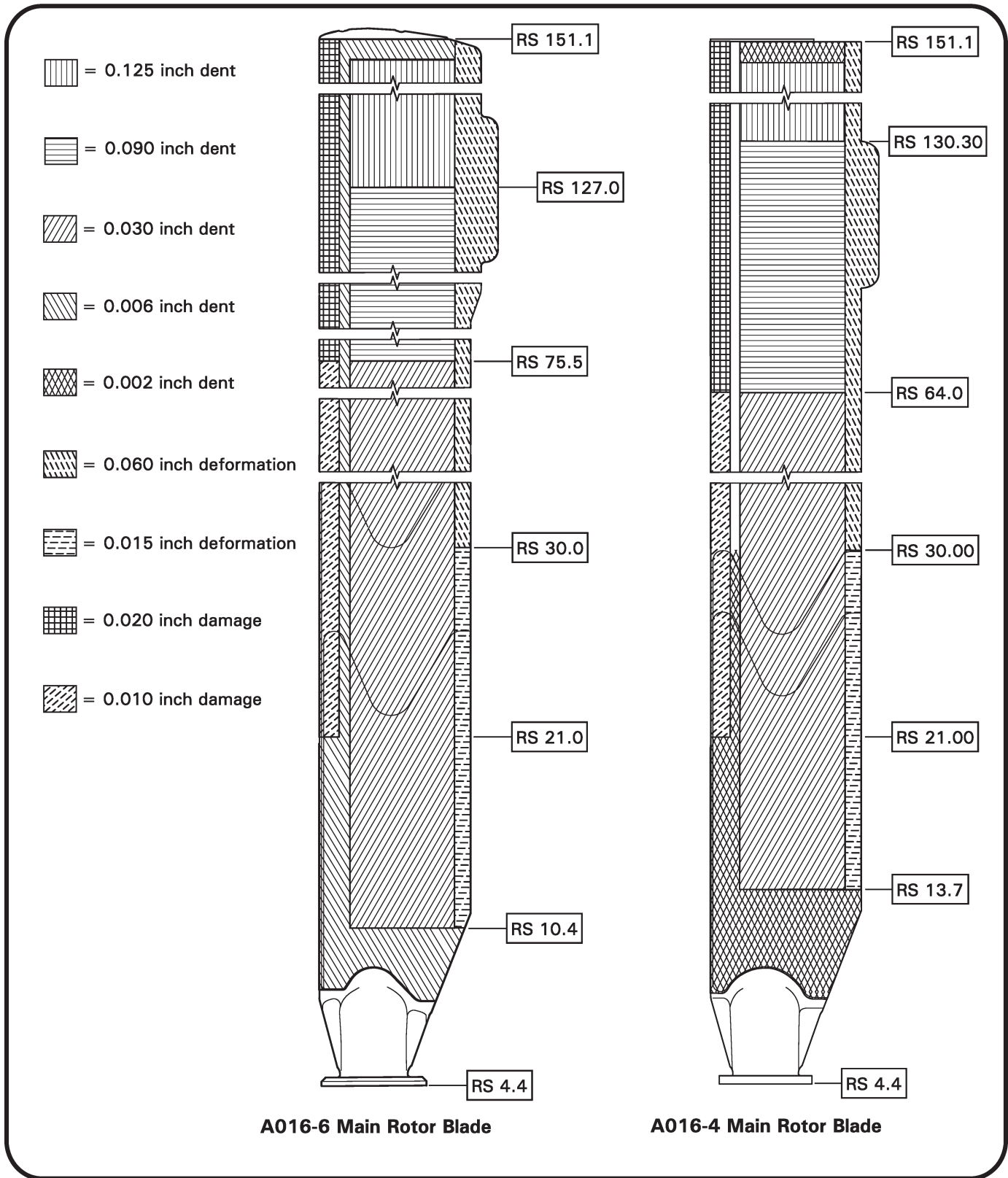


FIGURE 26-12 DENTS AND LOCAL DEFORMATIONS

26-42 Dents**CAUTION**

Tap-test dented areas in honeycomb using an AN970-4 washer or 1965-or-later U.S. quarter dollar coin in good condition. If any voids are found associated with dents, contact RHC Technical Support.

CAUTION

Do not repair any dent that has a sharp cut or break in the skin; dent must have 0.060 inch minimum bottom radius. If necessary, locally penetrant inspect, keeping penetrant materials away from bond joints.

1. Refer to Figure 26-12. Damage may not exceed the following limits:

a. Honeycomb:

A016-6 Blades:

- i. 0.020 inch maximum bulge on opposite side of blade, opposite dent.
- ii. 0.125 inch maximum depth dent between RS 127.0 and RS 151.1.
- iii. 0.090 inch maximum depth dent between RS 75.5 and RS 127.0.
- iv. 0.030 inch maximum depth dent between RS 10.4 and RS 75.5.

A016-4 Blades:

- i. 0.020 inch maximum bulge on opposite side of blade, opposite dent.
- ii. 0.125 inch maximum depth dent between RS 130.30 and RS 151.1.
- iii. 0.090 inch maximum depth dent between RS 64.00 and RS 130.30.
- iv. 0.030 inch maximum depth dent between RS 13.7 and RS 64.00.

b. Leading edge of doublers:

A016-6 Blades: 0.010 inch maximum depth dent.

c. Supported bond joints:

A016-6 Blades: 0.006 inch maximum depth dent.

A016-4 Blades: 0.002 inch maximum depth dent, tip cap only; refer to SB-103A. |

d. Local deformations:

A016-6 Blades: Within 0.75 inch forward of trailing edge:

- i. 0.060 inch deformation between RS 30.0 and RS 151.0.
- ii. 0.015 inch deformation between RS 10.4 and RS 30.0.

A016-4 Blades: Within 0.75 inch forward of trailing edge:

- i. 0.060 inch deformation between RS 30.00 and RS 151.00.
- ii. 0.015 inch deformation between RS 13.70 and RS 30.00.

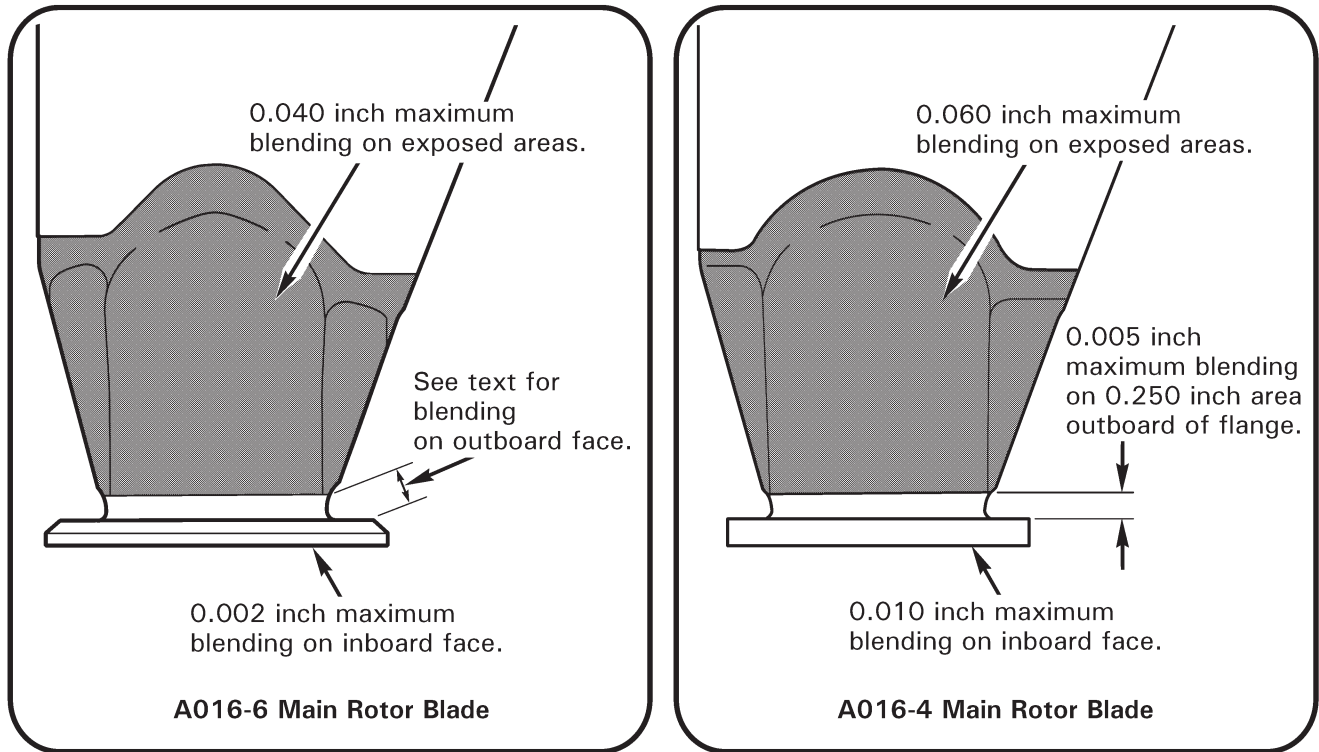


FIGURE 26-13 ROOT FITTING BLEND LIMITS

26-42 Dents (continued)

1. e. Spar: Refer to step 2. Blend damaged areas by hand with a minimum 1.0 inch blend radius. Blending is not allowed within 0.010 inch of spar groove leading edge.

A016-6 Blades:

- i. 0.020 inch maximum depth damage between RS 75.5 and RS 151.0.
- ii. 0.010 inch maximum depth damage between RS 21.0 and RS 75.5.

A016-4 Blades:

- i. 0.020 inch maximum depth damage between RS 64.0 and RS 151.0.
- ii. 0.010 inch maximum depth damage between RS 21.00 and RS 64.00.

2. Refer to § 26-50 for repair procedures for damage within limits. Smooth, round bottom dents with 0.060 inch minimum radius may be filled and faired to an aerodynamic shape.

26-43 Root Fitting Damage

1. Refer to Figure 26-13. Damage may not exceed the following limits:

A016-6 Blades:

Refer to step 2. Blend damaged areas by hand with a minimum 0.030 inch blend radius.

- a. 0.002 inch maximum depth blending on flange inboard face.
- b. 0.005 inch maximum depth, 0.250 inch maximum diameter blending on flange outboard machined face (3 blends maximum). 0.10 inch minimum distance from hole edges.
- c. 0.040 inch maximum depth blending on exposed areas of root fitting.

A016-4 Blades:

Refer to step 2. Blend damaged areas by hand with a minimum 0.10 inch blend radius.

- a. 0.010 inch maximum depth blending on flange inboard face.
- b. 0.005 inch maximum depth blending on 0.250 inch area outboard of flange.
- c. 0.060 inch maximum depth blending on exposed areas of root fitting.

2. Refer to § 26-50 for repair procedures for damage within limits.

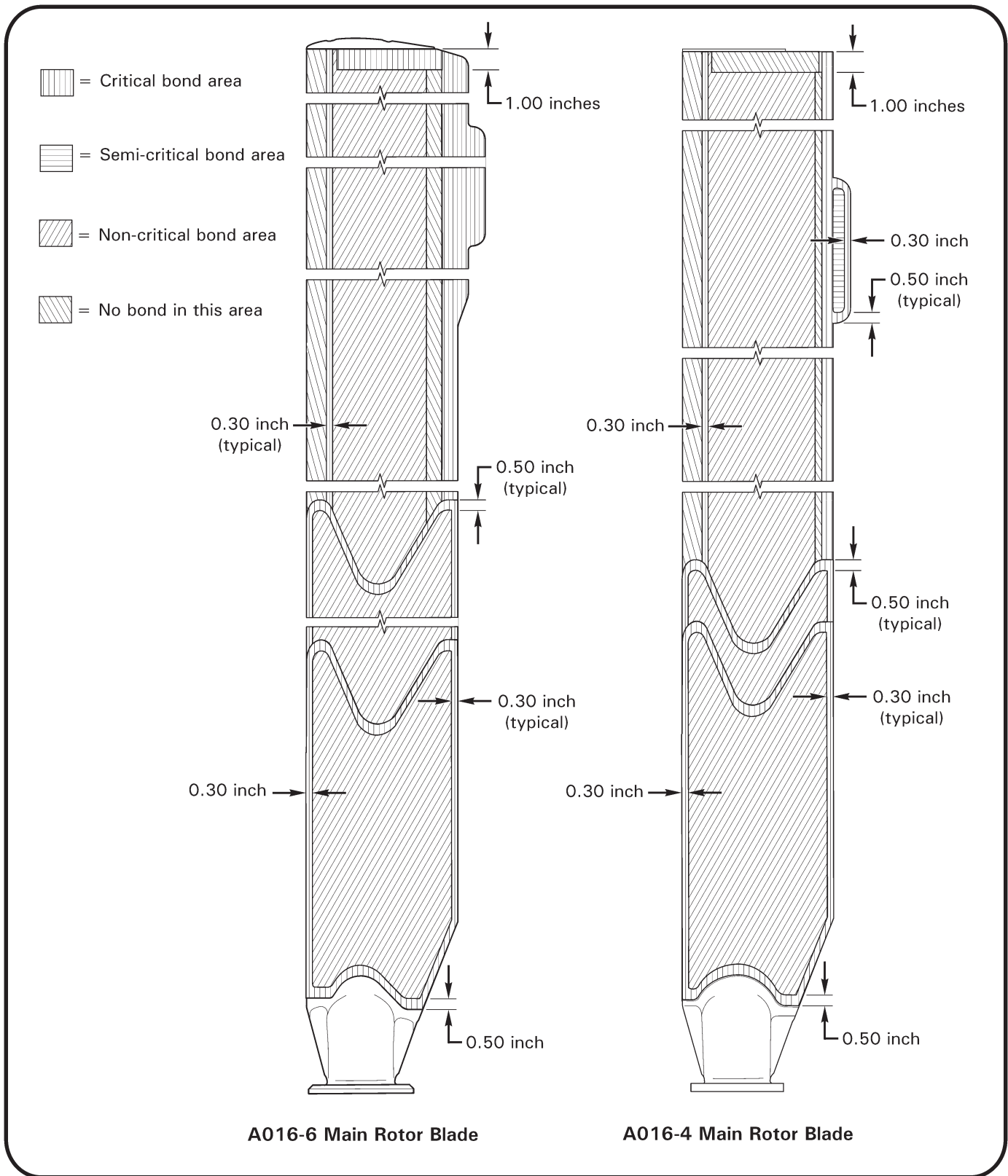


FIGURE 26-14 BOND AREAS

26-44 Voids**WARNING**

Voids or debonds in rotor blades are not field repairable. Notify RHC Technical Support when voids exceeding the limits specified in the instructions below are found, providing blade serial number, helicopter serial number, time in service for the rotor blade, and location and size of the voids that exceed the limits.

CAUTION

Tap-test voids and debonds in blades using an AN970-4 washer or 1965-or-later U.S. quarter dollar coin in good condition.

A. Critical Bond Areas

Refer to Figure 26-14. Critical bond areas are areas less than 0.50 inch spanwise and less than 0.30 inch chordwise from the edge of any structural bond joint.

Bond areas not defined as semi-critical or non-critical are considered critical.

Voids separated by less than 0.25 inch are considered continuous.

1. Damage may not exceed the following limits:
 - a. 0.10 square inch maximum void.
 - b. Area must be at least 90% bonded.

B. Semi-Critical Bond Areas**A016-6 Blades:**

A016-6 Blades do not have semi-critical bond areas.

A016-4 Blades:

Refer to Figure 26-14. Semi-critical bond areas are areas more than 0.50 inch spanwise or more than 0.30 inch chordwise from the edge of the trim tab.

Voids separated by less than 0.25 inch are considered continuous.

1. Damage may not exceed the following limits:
 - a. 0.80 inch diameter circle maximum void.
 - b. 0.90 square inch maximum void.
 - c. 0.10 square inch maximum of a void extending into a critical bond area.
 - d. Area must be at least 80% bonded.

26-44 Voids (continued)**C. Non-Critical Bond Areas**

Refer to Figure 26-14. Non-critical bond areas are areas more than 0.50 inch spanwise or more than 0.30 inch chordwise from B440 cap (A016-4 blades), from doubler edges, and from bonded areas between skin and honeycomb.

A016-6 Blades:

1. Voids in doubler bond joints separated by less than 0.25 inch are considered continuous. Damage in doubler bond joints may not exceed the following limits:
 - a. Area must be at least 80% bonded.
 - b. 5.0 square inches, 1.0 inch chordwise, & 6.0 inches spanwise max. void.
 - c. 0.10 square inch maximum of a void extending into a critical bond area.
 - d. Voids are permissible within 0.30 inch of doubler leading edge where it wraps around spar and root fitting.
2. Voids in honeycomb bond joints separated by less than 0.50 inch spanwise or 1.0 inch chordwise are considered continuous. Damage in honeycomb bond joints may not exceed the following limits:
 - a. Area must be at least 80% bonded.
 - b. 8.0 square inches, 1.0 inches chordwise, & 20.0 inches spanwise maximum void inboard of RS 92.0.
 - c. 14.0 square inches, 2.0 inches chordwise, & 20.0 inches spanwise maximum void outboard of RS 92.0.

A016-4 Blades:

1. Voids in A934 doubler bond joints may not exceed the following limits:
 - a. 5.0 square inches, 1.10 inches chordwise & 6.0 spanwise max. void.
 - b. 0.10 square inch maximum void extending into a critical bond area.
 - c. 2.0 inches maximum void from outboard tips (refer to R22 SL-55).
2. Voids in honeycomb bond joints inboard of RS 106.0 may not exceed 8.00 square inches, 1.00 inches chordwise, & 20.00 inches spanwise maximum.
3. Voids in honeycomb bond joints outboard of RS 106.0 may not exceed 14.00 square inches, 2.00 inches chordwise, & 20.00 inches spanwise maximum.
4. Voids in honeycomb bond joints between RS 120.0 and RS 133.5, and between RS 150.0 and 166.0, must be at least 1.0 inch forward of honeycomb trailing edge and the skin over void may not move when trim tabs are flexed.
5. Voids in A934 doubler bond joints separated by less than 0.25 inch, less than 0.50 inch spanwise, or less than 1.0 inch chordwise are considered continuous. Area must be at least 80% bonded.

26-50 Repair of Main Rotor Blades**WARNING**

Unauthorized repairs to rotor blades have caused fatal crashes.

CAUTION

Do NOT use power tools, chemical paint strippers, or chemical corrosion removers to repair main rotor blades.

NOTE

Refer to § 23-70 for approved materials.

1. Measure damage per § 26-40.
2. Remove damage at trailing edges, trim tab edges, tip cap, and/or tip corner by trimming per § 26-51 as required.
3. Polish out damage using 220 grit or finer wet-or-dry aluminum-oxide abrasive paper, and finish with 320 grit or finer wet-or-dry abrasive paper. A fine-toothed file may be used along the spar and trailing edge, provided the area is finished with 320 grit or finer wet-or-dry abrasive paper. Sand or file in spanwise direction. Remove only the material necessary to remove the damage and blend to the radius or dimension specified. Maintain squareness of trailing edge per Figure 26-16. Visually inspect and verify damage is removed.
4. Measure material removed per § 26-40. Verify repair does not exceed limit specified.
5. Seal or fill as required per the following:
 - a. Clean area to be sealed or filled using approved solvent (refer to § 23-70).
 - b. Apply approved primer (chromate primer preferred; refer to § 23-75) to bond joints with pin holes or other openings. Mix primer per manufacturer's instructions. Allow a minimum of 24 hours cure time.
 - c. Using 220-grit or finer wet-or-dry aluminum-oxide or silicon-carbide abrasive paper, hand-sand cured adhesive in spanwise direction to a smooth, aerodynamic finish, congruent with the blade airfoil. Do not remove metal.
 - d. Hand-sand surrounding painted surface until 25% primer remains. Keep bare metal to a minimum.
6. Paint per § 26-52 as required.
7. Track and balance main rotor per § 10.230 as required.

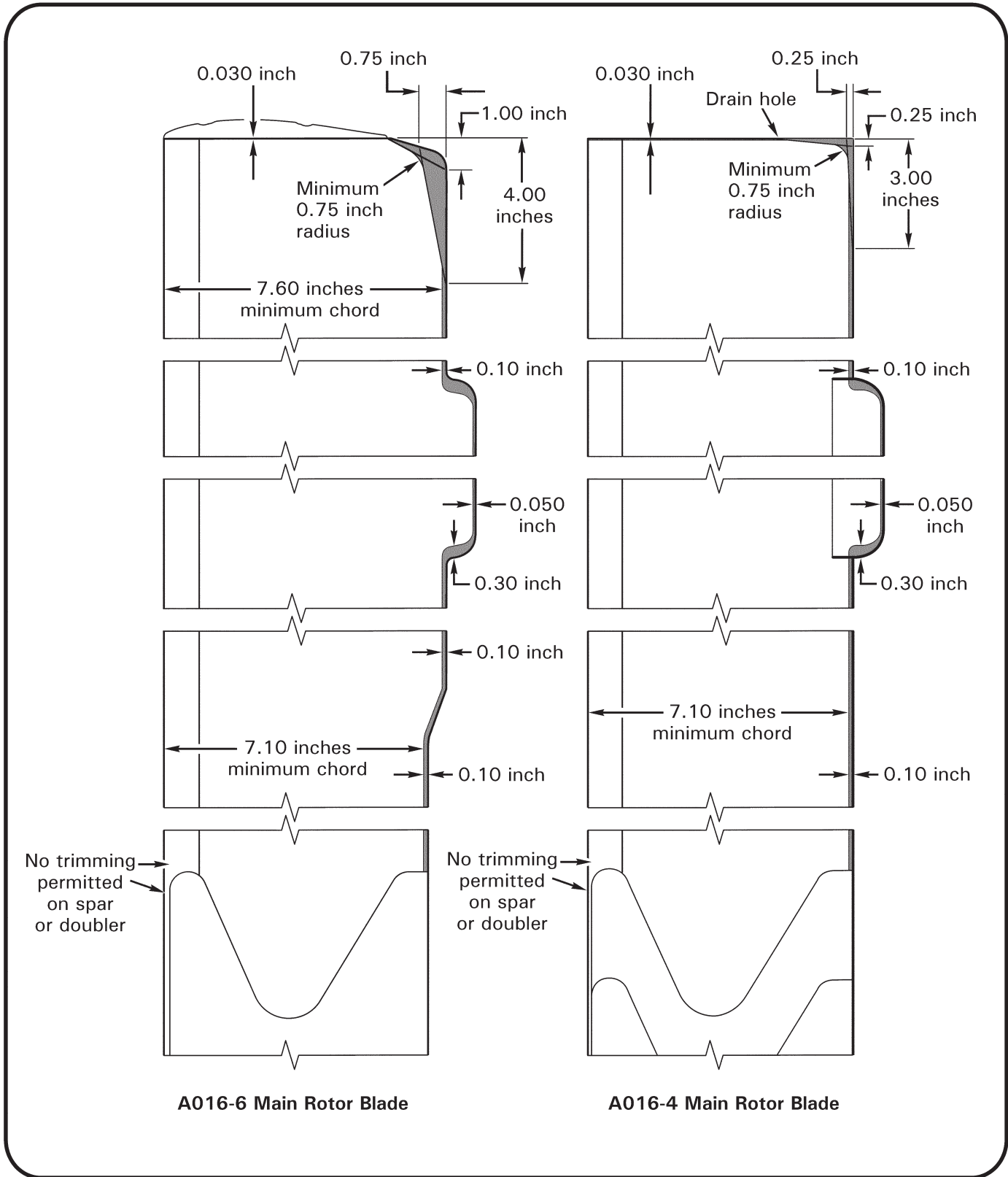


FIGURE 26-15 TRIM LIMITS

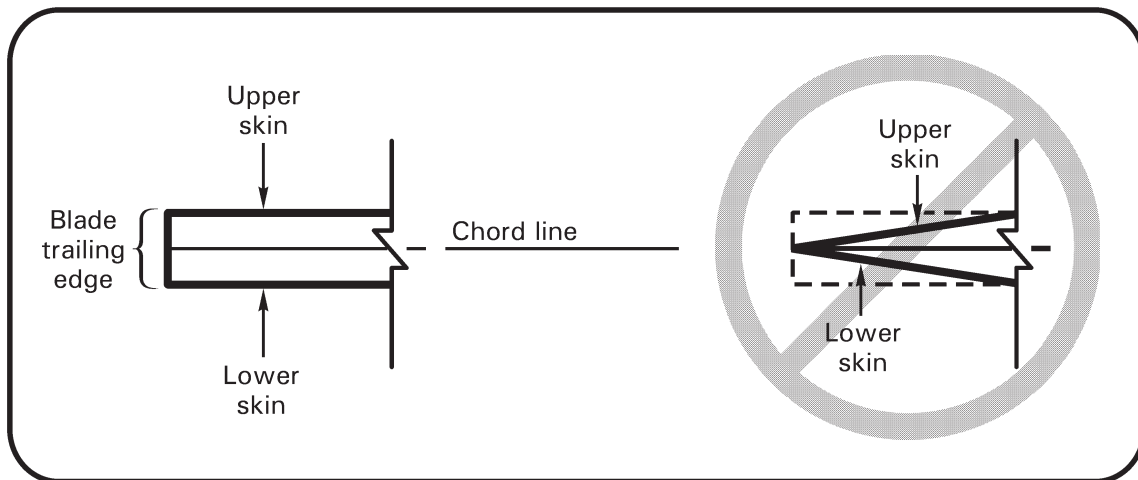


FIGURE 26-16 SANDING/FILING SKIN EDGES SQUARE

26-51 Trimming

Refer to Figures 26-15 & 26-16. Trimming may be performed on the trailing edge of main rotor blade skins and trim tab edges within limits shown. (Alternately, a trailing edge nick or notch may be blended out 1.0 inch minimum spanwise, each side of nick or notch within limits shown.) Trimming is not permitted on spar or doublers.

Tip cap and tip corner may be trimmed within limits shown.

Finish repair per § 26-50 steps 2 thru 7. File trailing edge or trim tab edges square with skins (do not file into a point). Verify minimum chord dimension.

26-52 Painting

Refer to § 23-70 for approved materials. Refer to paint manufacturer's recommendations.

CAUTION

If force-drying paint, do not exceed 175° F surface temperature on blade; monitor blade temperature.

1. Remove main rotor blade tip cover(s) as required. Clean the blade(s).
2. Feather edge of paint bordering bare metal by hand-sanding spanwise with 220-grit or finer wet-or-dry aluminum-oxide or silicon-carbide abrasive paper. Do not remove metal.
3. Mask area to prevent overspray contamination.
4. Clean bare metal to be painted with a lint-free cloth dampened with enamel cleaner.
5. Prime bare metal, including bare metal under tip cover(s) as required, with at least two coats approved primer (chromate primer preferred; refer to § 23-75). Scuff first coat of primer with 320-grit abrasive paper (or very fine Scotch-Brite), and wipe down with a lint-free cloth dampened with enamel cleaner prior to applying second coat.

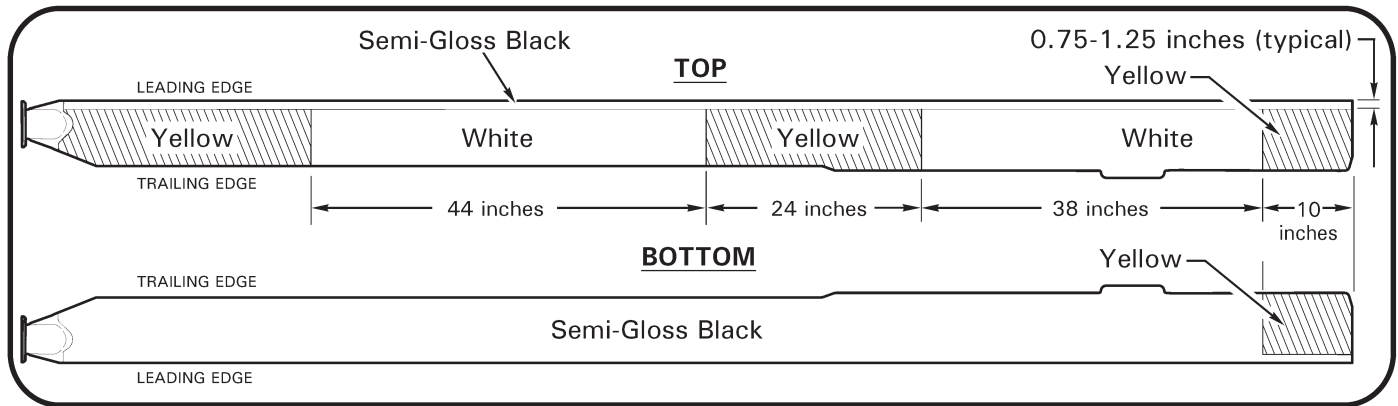


FIGURE 26-17 MAIN ROTOR BLADE PAINT SCHEME (A016-6 BLADE SHOWN)

26-52 Painting (continued)

6. Refer to Figure 26-17. Apply dark gray (root), flat black, white, and/or yellow polyurethane enamel, as required, to primed area in accordance with paint manufacturer’s recommendations.

NOTE

Allow Imron paint to cure at least 72 hours before flying in erosive conditions (such as drizzle, rain, or dust).

7. Install blade tip cover(s) if removed.
8. Remove masking materials.

26-60 Main Rotor Blade Tip Maintenance

After removing rounded tip covers, use 10X magnification when visually inspecting blade tip to verify no loose or blistered paint, white-powder corrosion products, or pitting of skins aft of skin-to-spar bond lines (upper & lower). If bare metal (other than spar leading edge) or corrosion is detected, proceed as follows:

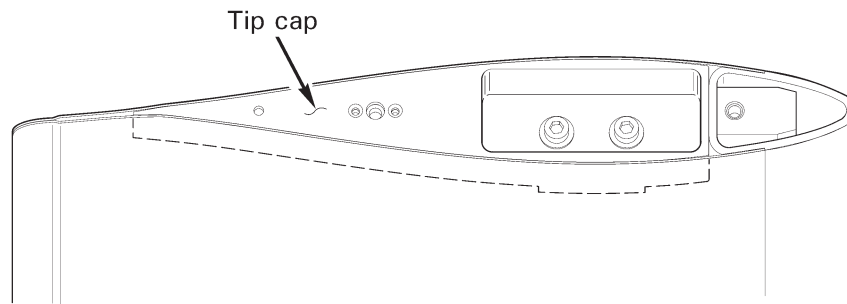
WARNING

Review appropriate Safety Data Sheet (SDS) when working in proximity to hazardous materials. Specific recommendations for use of personal protective equipment are located in the SDS.

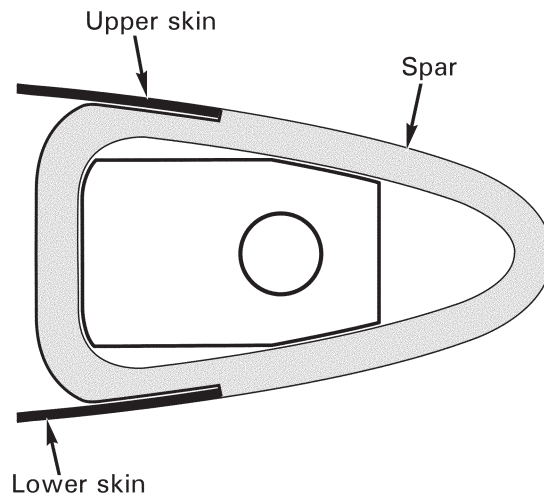
CAUTION

Do NOT use power tools or chemical paint strippers to remove blade paint.

1. Remove any corrosion and loose paint on tip cap and outboard edges of blade skins by hand-sanding vertical surface in a chordwise direction; use a hard, flat block with 220-grit aluminum-oxide abrasive paper, then finish sand with 320-grit aluminum-oxide abrasive paper. Remove only material necessary to eliminate corrosion.



2. Remove any corrosion and loose paint from skins on upper or lower surface of blade, aft of skin-to-spar bond joint, by hand-sanding in a spanwise direction using 220-grit aluminum-oxide abrasive paper and minimum 0.1 inch blend radius; finish sand with 320-grit aluminum-oxide abrasive paper. Remove only material necessary to eliminate corrosion.



26-60 Main Rotor Blade Tip Maintenance (continued)

3. Clean bare metal area with lint-free cloth dampened with acetone and allow to dry.
4. Seal exposed bond joints, including bond joints on vertical surfaces, with smooth layer of B270-1 sealant (poly-sulfide, refer to § 23-79) and allow to cure.
5. Prime remaining exposed metal with two coats of epoxy primer (chromated epoxy preferred).
6. Apply yellow paint topcoat within 2–48 hours of primer application. For best performance, allow paint to cure 48 hours before flight.
7. Install tip covers and special torque screws to 40 in.-lb wet with A257-9 anti-seize; ensure cover edges are flush with blade profile.