

MT950 Tow Cart Upgrade Kit Instructions

Kit installs MT978-15 rail to restrain tow cart arm from lifting during ground handling. Applies to MT950 Revision R and prior. (Restraint is incorporated at Revision S).

NOTE

Visit www.robinsonheli.com to verify kit instructions are current revision. Review instructions before installation; contact RHC Technical Support with questions. Verify kit contents match list; contact RHC Customer Service if parts are missing or damaged.

ITEM	PART NUMBER	KIT CONTENTS	QTY
1	KI-282Instr.	Kit Instructions	1
2	MT920-17	Spacer	1
3	MT978-15	Rail	1
4	91251A030	Screw	1

Special Tools

- Through-hole alignment pin (≈1/4-inch diameter)
- Through-hole alignment pin (≈3/16-inch diameter)

Kit Instructions

1. Raise MT954-2 arm assembly. Switch battery power off.
2. Go to www.robinsonheli.com > Customer Support > Tow Carts Manual > MT950, Chapter 3: Illustrated Parts Catalog (IPC) Figure 3-1. Remove & discard item 23. Retain hardware for installation.
3. Refer to Figure 1. Install MT978-15 rail on MT954-2 arm assembly and MT909-5 socket as shown. Secure using retained NAS1149F0832P washer and D210-8 nut.

NOTE

A second person may be necessary for torque requirements.

4. Refer to Figure 1. With solenoid fully retracted create a .015-inch gap between NAS1352-08LE6P screw head and slot as shown (rotate MT909-5 socket to adjust). Torque D210-8 nut to 40 ft-lb using a through-hole alignment pin (≈1/4-inch diameter) thru 0.265-0.272 inch diameter hole located in MT909-5 socket, or (≈3/16-inch diameter) thru MT997-3 bar & MT909-5 socket (Refer to IPC Figure 3-7). Remove through-hole alignment pin and verify .015-inch gap.
5. Refer to Figure 2. Install MT953-2 roller, MT920-17 spacer, MT953-1 journal, and associated hardware through MT978-15 rail and MT952-1 weldment as shown. Torque to 65 ft-lb.
6. Function test assembly per MT950 operating instructions § 1-20.

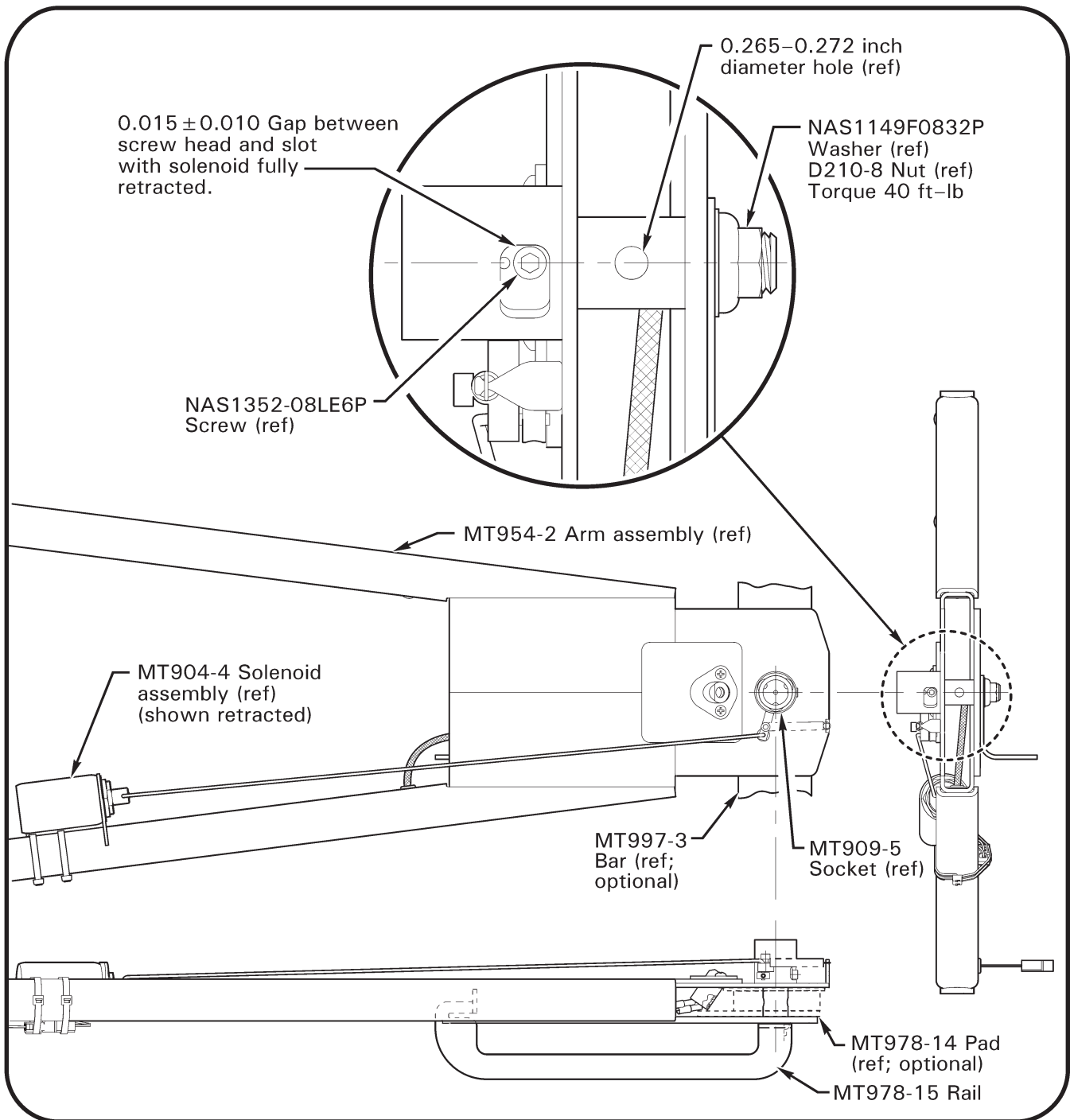


FIGURE 1 MT978-15 Rail installation

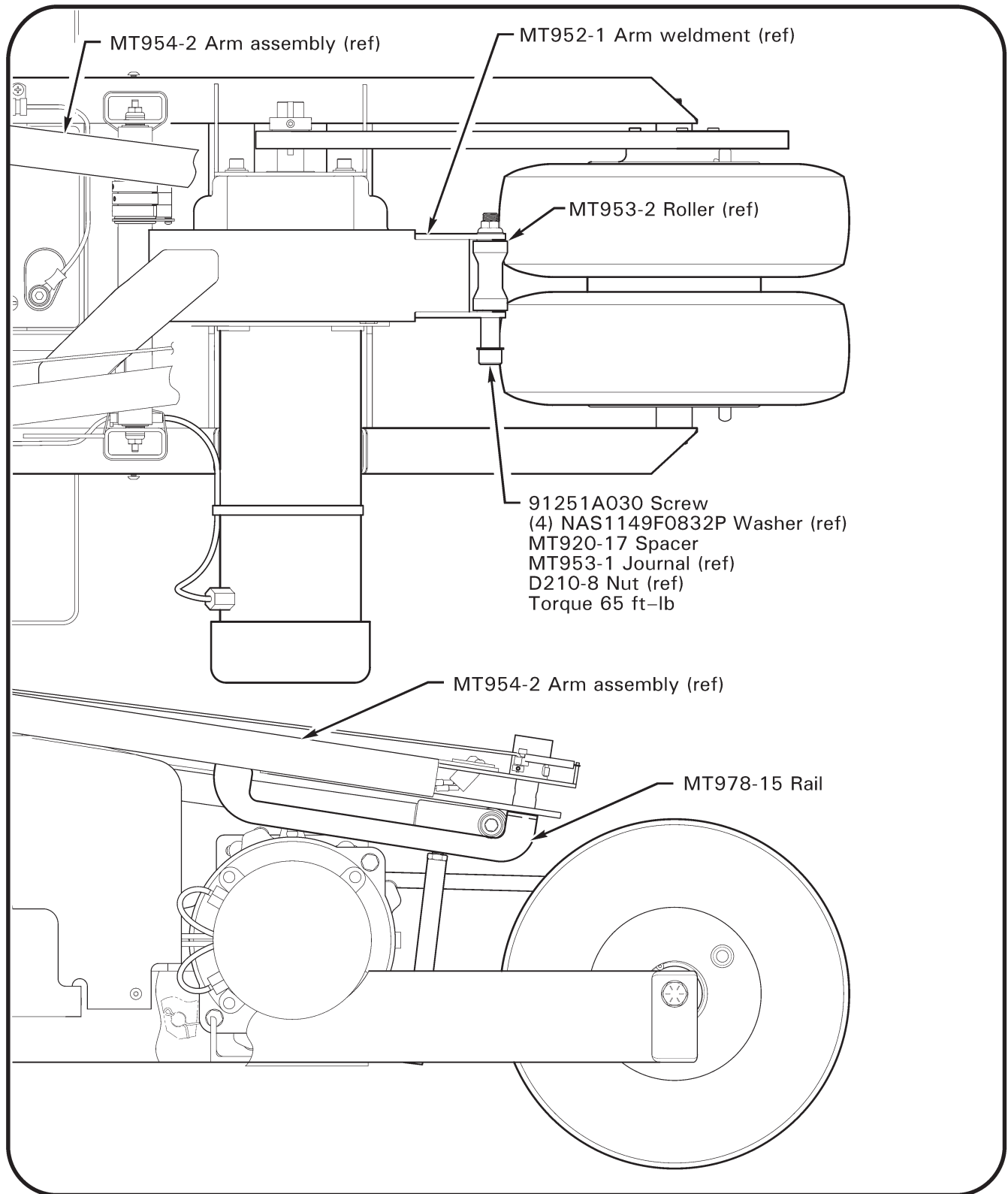


FIGURE 2 MT953-2 Roller installation