

Revised: 09 NOV 1999

**KI-94 B224-1 TR DRIVE SHAFT DAMPER CONVERSION KIT**

(allows use of B224-1 TR drive shaft in A023-22 &amp; -23 tailcones)

KIT CONTENTS:

4 each	A041-5	DU washer
2 each	A041-6	Spring washer
2 each	A041-10	Pin
1 each	A041-13	Arm
2 each	A105-9	Journal
1 each	A141-15	Washer
2 each	A141-18	Washer
1 each	A651-1	"KI-94 MOD" data plate
2 each	B330-7	Palnut
2 each	AN960-10	Washer (or NAS1149F0363P washer)
1 each	KI-94INSTR	Kit instructions
2 each	MS21042L3	Nut
2 each	NAS6603-3	Bolt
1 each	04DU04	Bushing

INSTRUCTIONS:

1. Verify kit contents match above list. Contact RHC Customer Service if any parts are missing or damaged.
2. Remove B224-1 tail rotor drive shaft per R22 Maintenance Manual(MM) Section 7.310. Discard two NAS6603-2 bolts and two AN960-10 washers which attach damper clip to tailcone.
3. See Figure 1 and MM Section 7.321. Remove A041-8 clip & A041-9 spacer(or A041-7 clip & A041-4 spacer, as applicable) and discard. Inspect remaining parts for wear.
4. Install supplied A041-13 arm per MM Section 7.321, replacing worn parts with supplied new parts as required. Ensure bushing and dowel pin meet dimensions shown in Figure 2.
5. Install A651-1 "KI-94 MOD" data plate adjacent to tail rotor drive shaft data plate as shown in Figure 3.
6. Install tail rotor drive shaft per MM Section 7.320 using supplied new NAS6603-3 bolts and AN960-10 washers.
7. Make appropriate maintenance record(logbook)entry.

Revised: 09 NOV 1999

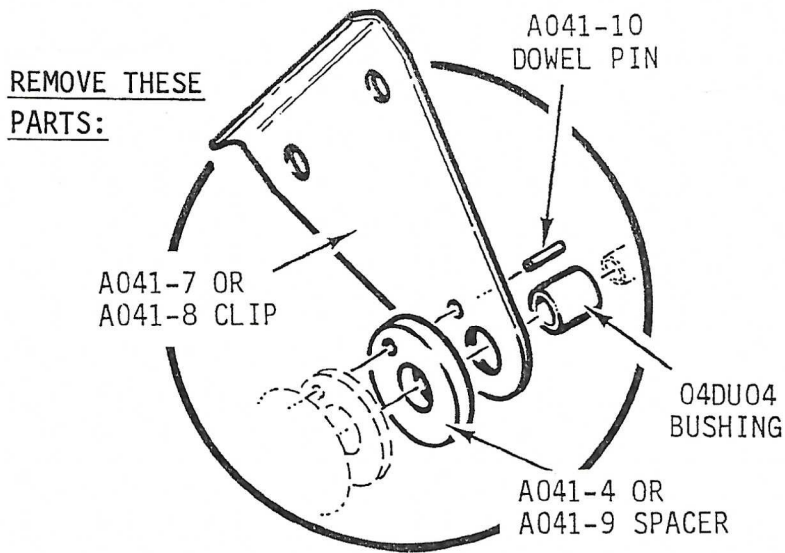


FIGURE 1

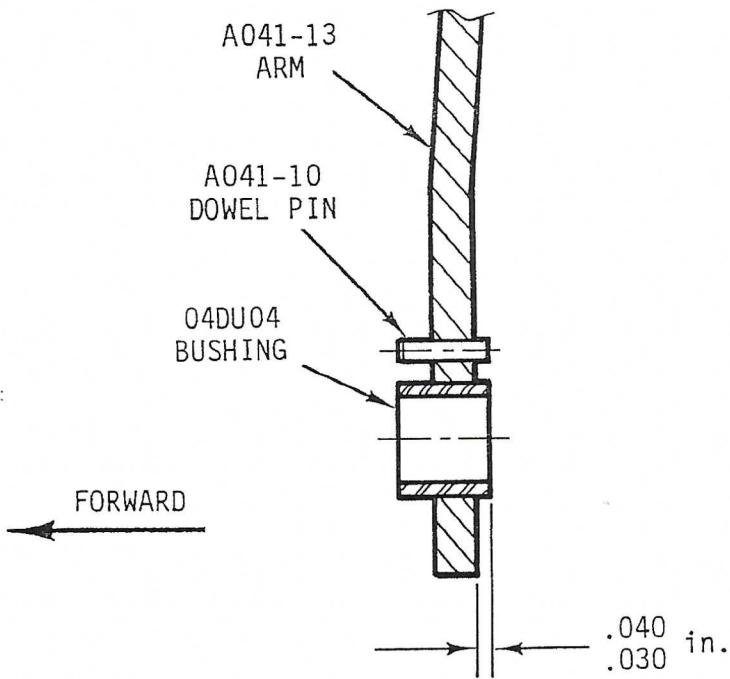


FIGURE 2

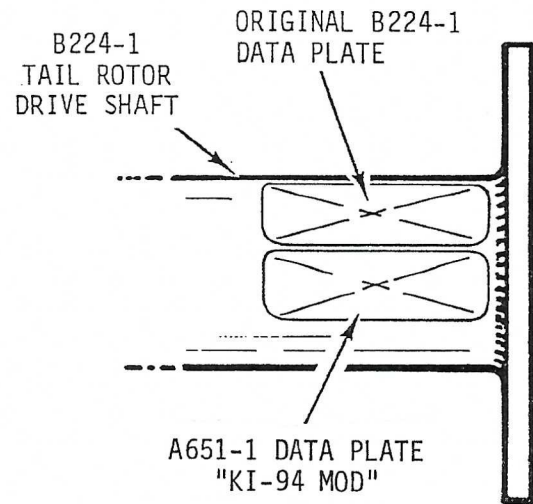


FIGURE 3