

Issued: 05 Nov 2002
Revised: 17 Nov 2008**KI-57-1 R22 BLIND ENCODER INSTALLATION KIT**KIT CONTENTS:

1 ea	A654-69	decals "Altitude Encoder Installed"
1 ea	A729-26	tube
1 ea	B161-4	¼-inch diameter spirap
1 ea	B240-3	blind encoder/digitizer
1 ea	B241-1	wire harness assembly
1 ea	B261-2	splice
4 ea	MS21042L04	nut
30 ea	MS3367-5-9	ty-rap
4 ea	MS35206-214	screw (AN515-4R5)
8 ea	NAS1149CN432R	washer
4 ea	NAS1149FN416P	washer (AN960-4L)
1 ea	50-4-N-O	elbow
1 ea	60-4-2-N-O	tee

INSTRUCTIONS:**NOTE**

Read instructions completely before installation. Appropriate Garmin or King terminals, wire stripping & terminal crimping tools, and specialized test equipment are required.

1. Verify kit contents conforms to above list. Contact RHC if any parts are missing or damaged.
2. Remove right seat back assembly, horizontal cover between seat bottoms, cyclic box cover, belly cover, A641 avionics face, and radio rack.
3. Mark forward face of right vertical firewall for drilling four 0.128-inch diameter holes per Figure 1 (some ships may already have holes with screws installed). Use blind encoder mounting holes to verify correct hole positions. Drill and deburr holes. Clean up debris.
4. Reference Figure 2. Install 60-4-2-N-O tee into blind encoder. Install A729-26 tube into tee and attach 50-4-N-O elbow on opposite end of tube.
5. Attach encoder to vertical firewall per Figure 2.
6. Reference Figure 2. Identify static line near blind encoder. Cut and trim static line as required and connect line to elbow and tee as shown. Wrap pitot line with B161-4 spirap as required to protect line from chafing.
7. Connect B241-1 wire harness to encoder. Route harness along existing main wire harness to transponder and ty-rap as required with MS3367-5-9 ty-raps.
8. Reference Figure 3. Cut and strip B241 harness wires as required and install appropriate terminals for Garmin or King transponder. Install terminal into transponder connector. Splice -567 wire into existing -263 power wire using B261-2 splice. If a -668 or -1814 wire is installed, replace existing B261-2 splice when connecting -567 wire. Ty-rap wiring as required.

Issued: 05 Nov 2002
 Revised: 17 Nov 2008

9. Install radio rack. Ty-rap wiring as required. Manipulate flight controls thru full range of travel and verify no interference.
10. Install radios, avionics face, covers and seat back assembly. Install A654-69 decal on visible flat surface of transponder face.
11. Test transponder and encoder per applicable regulations.
12. Refer to Weight & Balance Record in helicopter's Pilot's Operating Handbook section 6. Update Running Basic Empty Weight using following data:

Component	Weight (lb)	Longitudinal Arm (inches)	Longitudinal Moment (in.-lb)	Lateral Arm (inches)	Lateral Moment (in.-lb)
B240-3 Blind Encoder Installation	0.32	90.5	29	7.3	2.34

13. Make appropriate maintenance record entries.

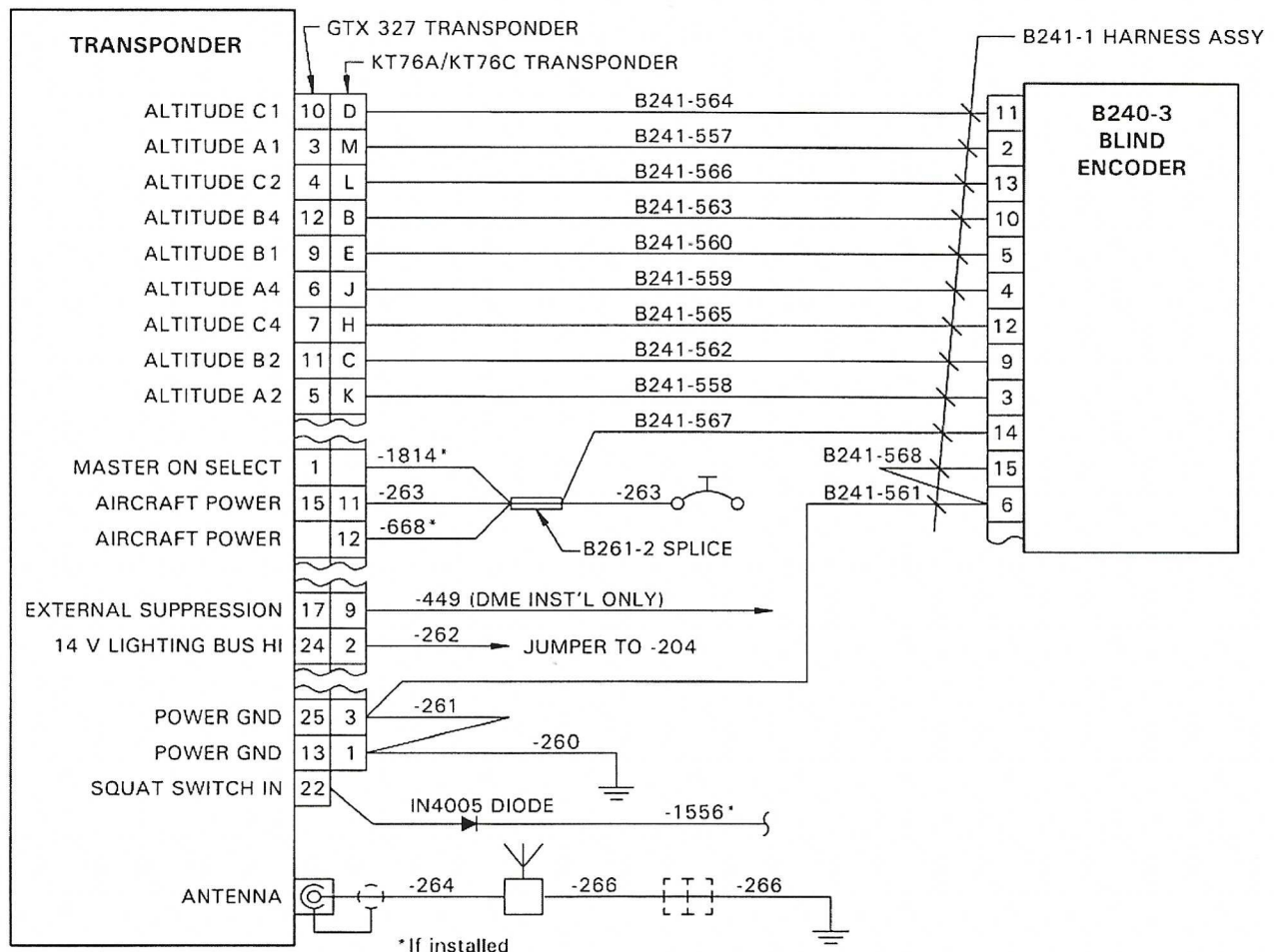


FIGURE 3 B240-3 - to - GTX 327/KT76A/KT76C SCHEMATIC

Issued: 05 Nov 2002
Revised: 17 Nov 2008

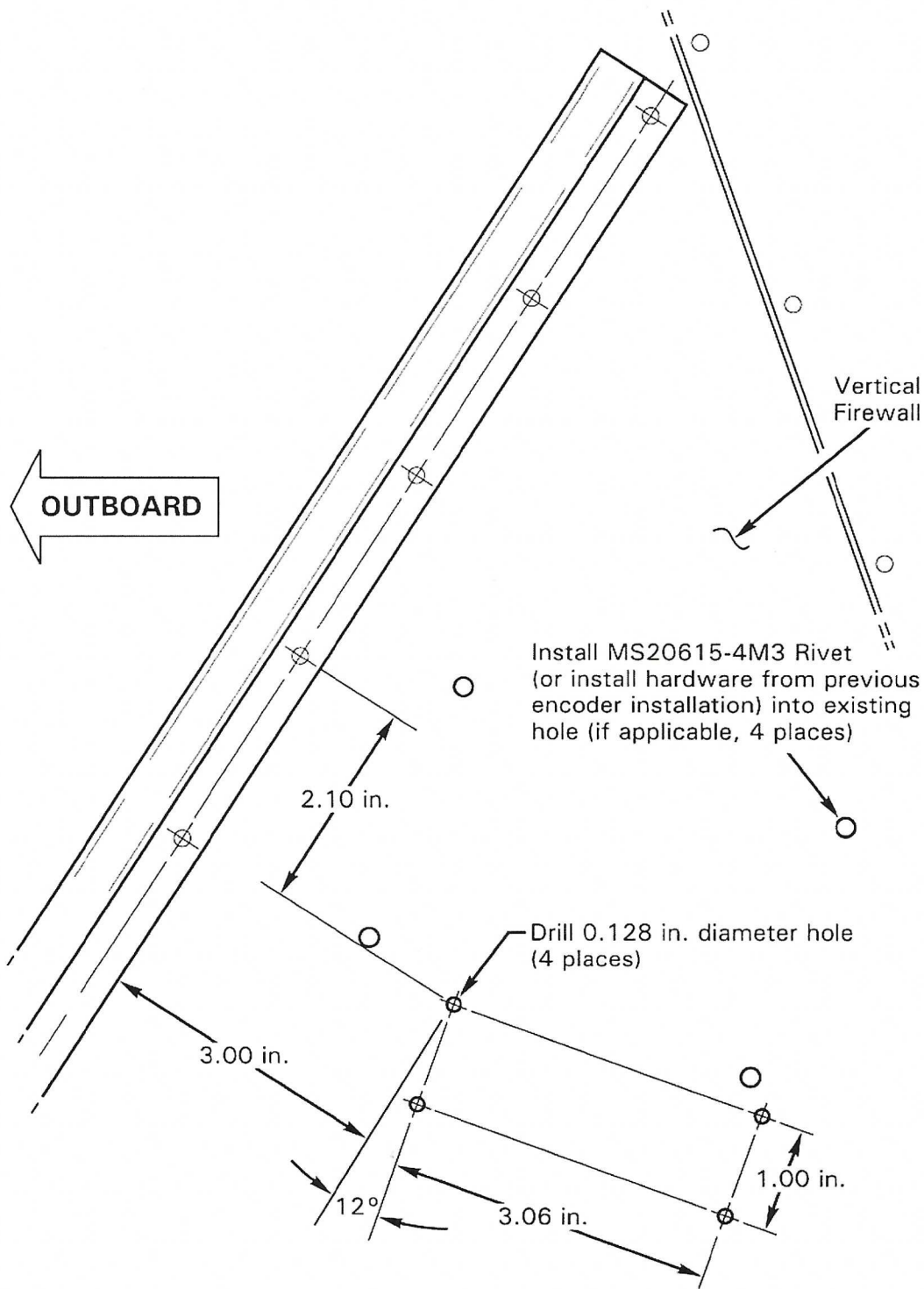


FIGURE 1 R22 VERTICAL FIREWALL DRILLING INSTRUCTIONS

(Right side seat back removed, view looking aft)

Issued: 05 Nov 2002
Revised: 17 Nov 2008

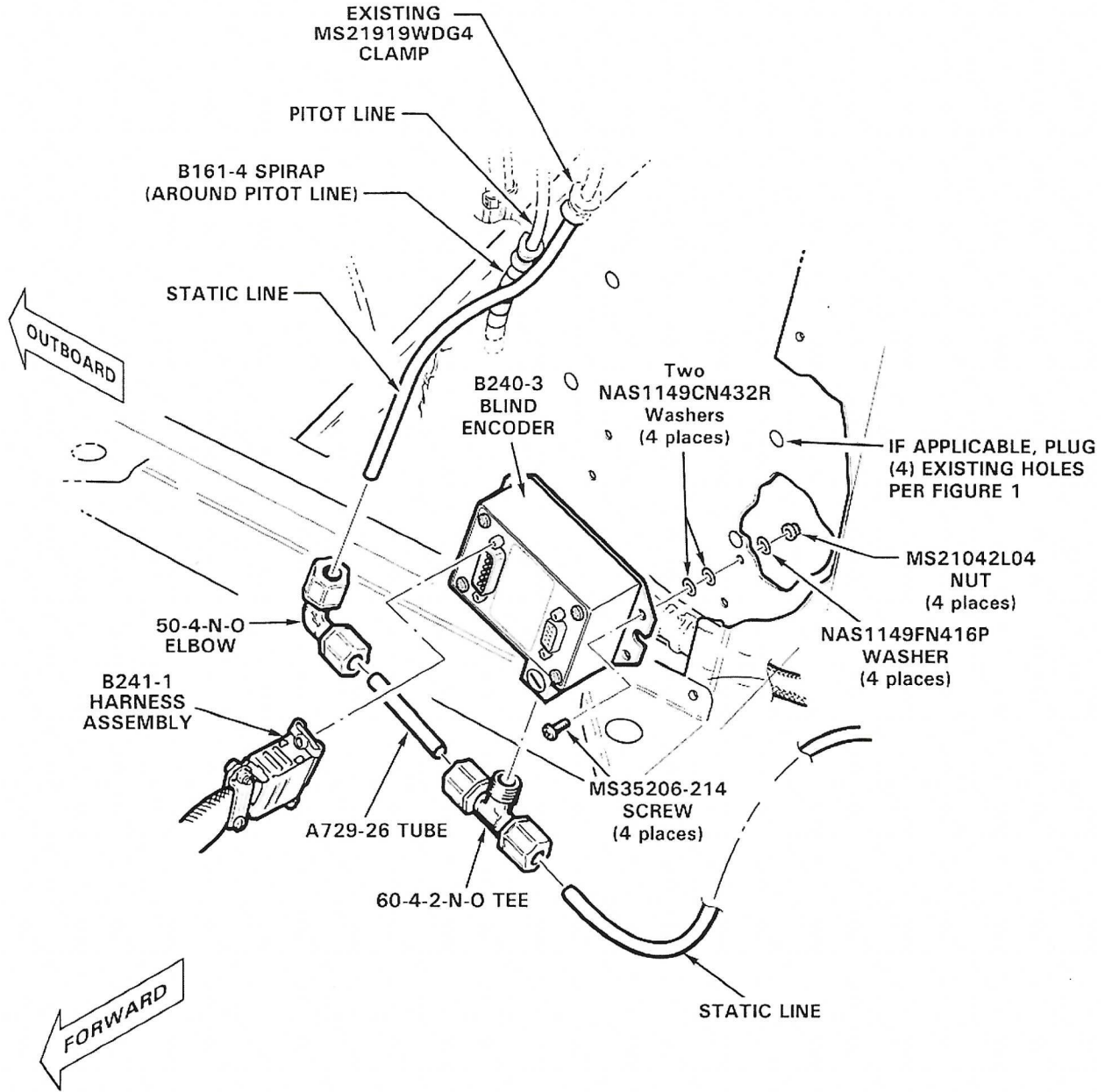


FIGURE 2 R22 B240-3 BLIND ENCODER INSTALLATION

(View looking aft)