

## CHAPTER 6

## DIMENSIONS AND DESCRIPTIONS

<i>Figure</i>	<i>Title</i>	<i>Page</i>
6-1	Access Panels – Belly . . . . .	6.0
6-3	Belly Antennas . . . . .	6.2
6-5	FM/DME/Transponder Antennas . . . . .	6.4
6-7	DME Installation . . . . .	6.6
6-9	NAV Antenna Installation . . . . .	6.8
6-11	ADF/Marker Beacon Antennas . . . . .	6.10
6-13	Kannad ELT Antenna Installation . . . . .	6.12
6-15	Kannad ELT Antenna Installation . . . . .	6.14
6-17	GPS Antenna Installation . . . . .	6.16
6-19	LORAN Antenna Installation . . . . .	6.18
6-21	Forward Upper Tailcone Antennas . . . . .	6.20
6-23	Aft Upper Tailcone Antennas . . . . .	6.22
6-25	Lower Tailcone Antenna . . . . .	6.24

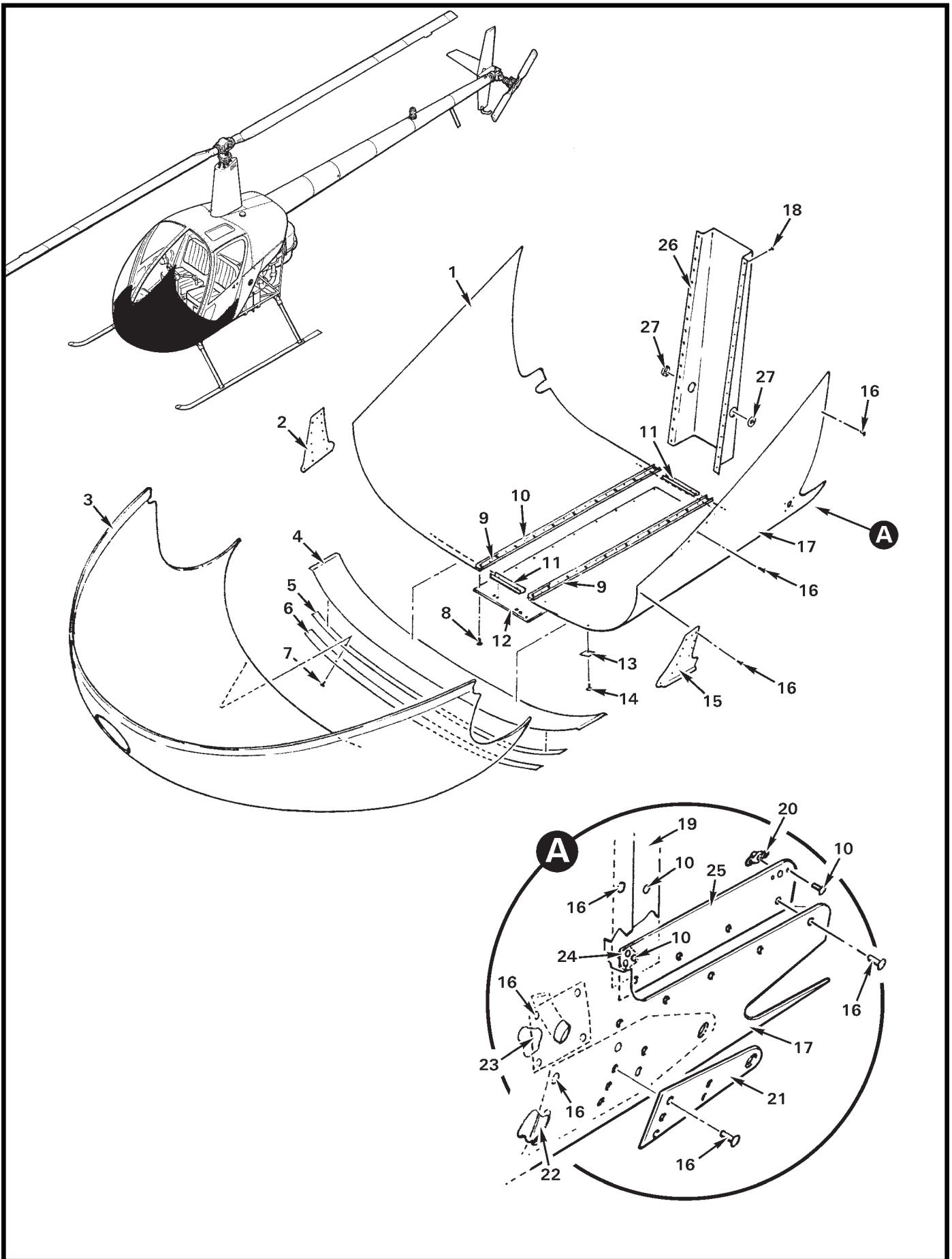


FIGURE AND INDEX NUMBER	PART NUMBER	DESCRIPTION	PARTS AVAIL	QTY PER ASSY
<b>ACCESS PANELS – BELLY</b>				
6-1-1	A015-4	Panel (RH) . . . . .	X	1
2	A015-6	Skin (RH) . . . . .	X	1
3	A272-1	Chin . . . . .	X	1
4	A475-2	Cover – Cross Tube . . . . .	X	1
5	A475-4	Spacer . . . . .	X	1
6	A475-3	Retainer . . . . .	X	1
7	MS20470AD3	Rivet . . . . .	X	A/R
8	MS27039C0807	Screw . . . . .	X	25
9	A738-4	Gang Channel . . . . .	X	2
10	MS20426AD3	Rivet (gang channel attach) . . . . .	X	14
11	A738-8	Gang Channel . . . . .	X	2
12	A794-2	Panel – Center Belly . . . . .	X	1
13	A475-5	Retainer . . . . .	X	8
14	MS27039C0806	Screw . . . . .	X	8
15	A015-5	Skin (LH) . . . . .	X	1
16	MS20470AD4	Rivet . . . . .	X	A/R
17	A015-3	Skin (LH) . . . . .	X	1
18	MS20615-3M3	Rivet . . . . .	X	1
19	A015-11	Strip (LH and RH) . . . . .	X	1
20	MS21069L08	Nutplate . . . . .	X	5
21	A286-1	Doubler (LH and RH) . . . . .	X	2
22	A286-2	Doubler (LH and RH) . . . . .	X	2
23	A458-1	Drain – Fuel . . . . .	X	1
24	MS21086L08	Nutplate . . . . .	X	1
25	B356-2	Strip (LH and RH) . . . . .	X	2
26	A233-3	Tunnel (vertical firewall) . . . . .	X	1
27	A231-9	Plug Assembly . . . . .	X	2

NOTES

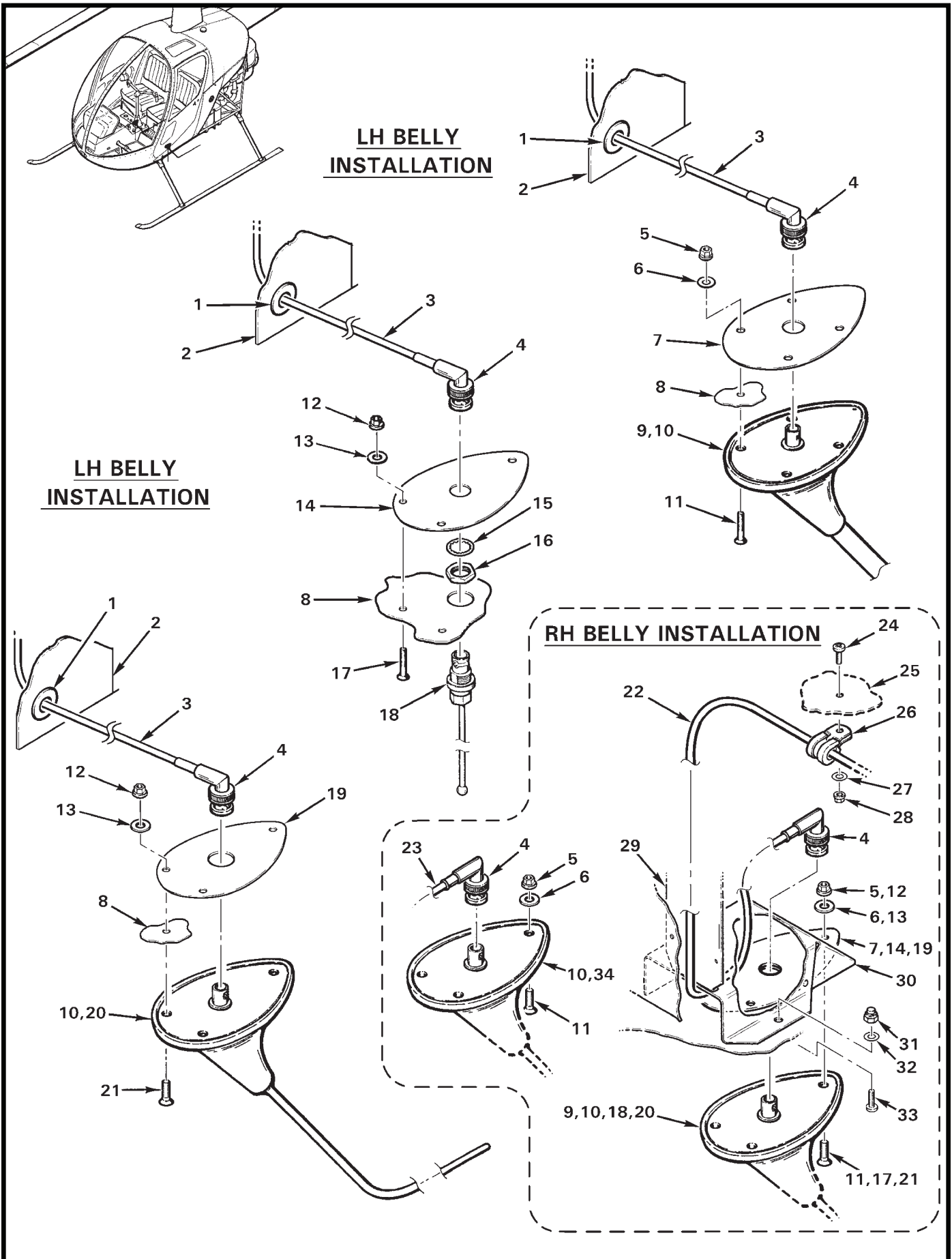


FIGURE AND INDEX NUMBER	PART NUMBER	DESCRIPTION	PARTS AVAIL	QTY PER ASSY
<b>BELLY ANTENNAS</b>				
6-3-1	MS35489-40	Grommet . . . . .	X	1
2	A292-1	Keel Panel (LH, Ref)		
3	-482	Cable (Ref)		
4	5225973-4	Plug . . . . .	X	1
5	MS21042L08	Nut . . . . .	X	A/R
6	NAS1149FN832P	Washer . . . . .	X	A/R
7	B322-4	Cover . . . . .	X	1
8	—	Belly Panel (Ref)		
9	CI-177-20	Antenna (UHF/FM, 450-470 MHz; install using item 10) . . . . .	X	1
10	B270-1	Sealant (seal around antenna base) . . . . .	X	A/R
11	MS24694-C7	Screw . . . . .	X	A/R
12	MS21042L3	Nut . . . . .	X	3
13	NAS1149F0332P	Washer . . . . .	X	3
14	B322-9	Cover . . . . .	X	1
15	—	Washer (Ref)		
16	—	Nut (Ref)		
17	MS27039C1-05	Screw . . . . .	X	3
18	CI-273	Antenna (UHF, 403-512 MHz; includes items 14 thru 16) . . . . .	X	1
	CI-271*	Antenna (UHF, 400-430 MHz; includes items 14 thru 16) . . . . .	X	1
19	B322-6	Cover . . . . .	X	1
20	CI-292-3	Antenna (VHF/FM, 138-174 MHz; install using items 10 and 19)	X	1
21	MS24694-C51	Screw . . . . .	X	3
22	-552	Cable (Ref, used with items 9, 18, and 20)		
23	-212	Cable (Ref, used with item 34)		
24	MS27039C0806	Screw (Ref)		
25	—	Panel (Ref)		
26	MS21919WDG4	Clamp . . . . .	X	1
27	NAS1149FN832P	Washer (Ref)		
28	MS21042L08	Nut (Ref)		
29	D384-4**	Cover (Ref)		
30	D384-3**	Cover . . . . .	X	1
31	B340-4	Nut . . . . .	X	2
32	NAS1149FN816P	Washer . . . . .	X	2
33	MS27039C0806	Screw . . . . .	X	2
34	CI-122	Antenna (VHF, 118-137 MHz; install using items 7 and 10) . . . . .	X	1

NOTES \* Used with Kenwood TK-860GK3 FM transceiver.  
 \*\* Included if no cabin heater or engine fuel primer is installed.

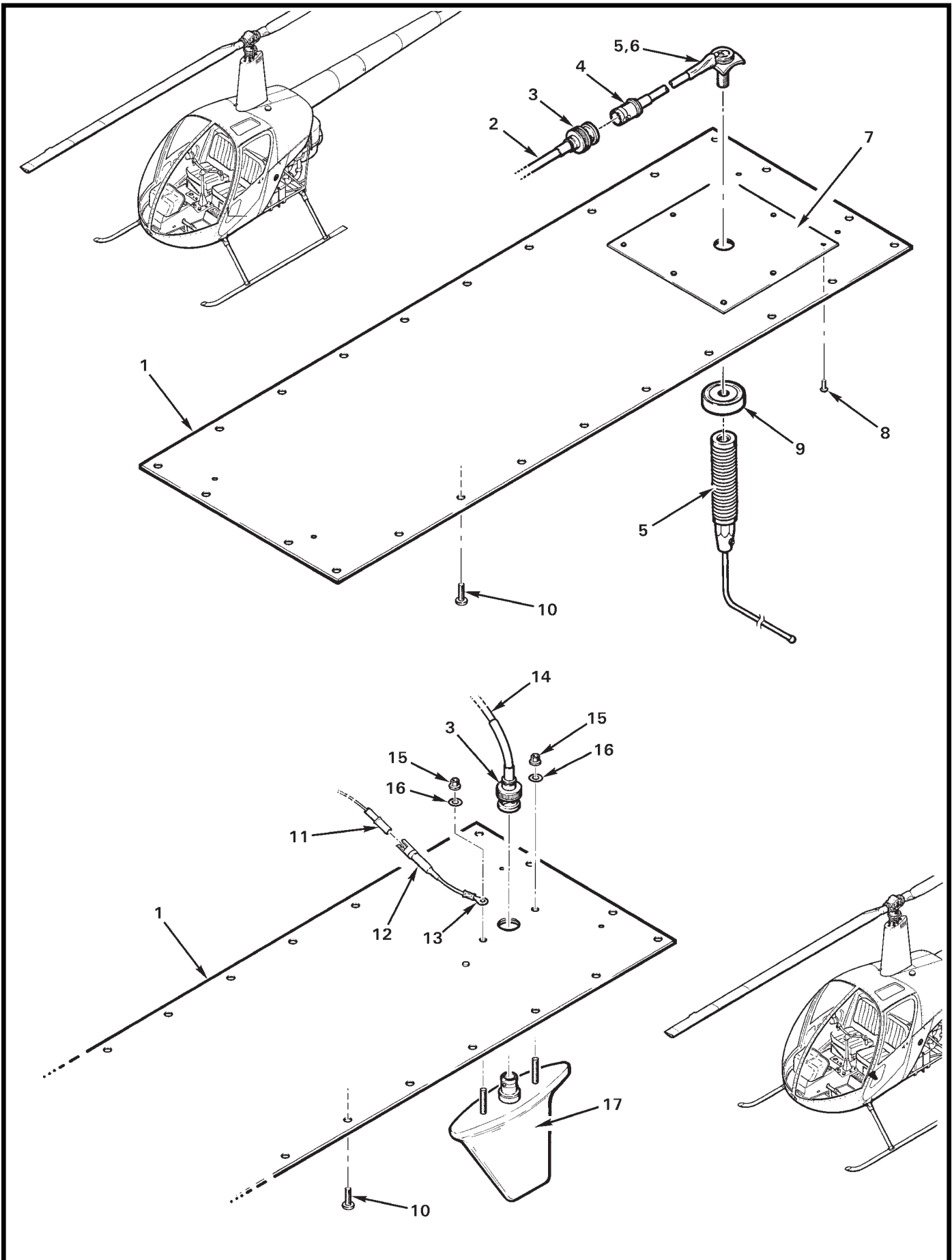


FIGURE AND INDEX NUMBER	PART NUMBER	DESCRIPTION	PARTS AVAIL	QTY PER ASSY
<b>FM/DME/TRANSPONDER ANTENNAS</b>				
6-5-1	A794-2	Panel – Center Belly (Ref)		
2	A850-682	Cable (Ref)		
3	5225395-6	Plug . . . . .	X	1
4	5225396-1	Jack . . . . .	X	1
5	LM WBQ K	Antenna (VHF, 134-160 MHz; install using item 6 on threads) . .	X	1
6	B270-11	Adhesive . . . . .	X	A/R
7	A830-3	Doubler . . . . .	X	1
8	MS20470AD3	Rivet . . . . .	X	8
9	—	Spacer (Ref) . . . . .	O	1
10	MS27039C0807	Screw (Ref)		
11	B263-11	Housing (Ref) . . . . .	X	1
	B263-2	Socket (Ref) . . . . .	X	1
12	B263-10	Housing . . . . .	X	1
	B263-1	Pin . . . . .	X	1
13	B260-3	Terminal (Ref)		
14	A850-452	Cable (Ref, DME installation)		
	A859-264	Cable (Ref, transponder installation)		
15	MS21042L08	Nut . . . . .	X	2
16	NAS1149FN816P	Washer . . . . .	X	2
17	CI-105-16	Antenna – DME/Transponder (see also Figure 97-13) . . . . .	X	1

NOTES

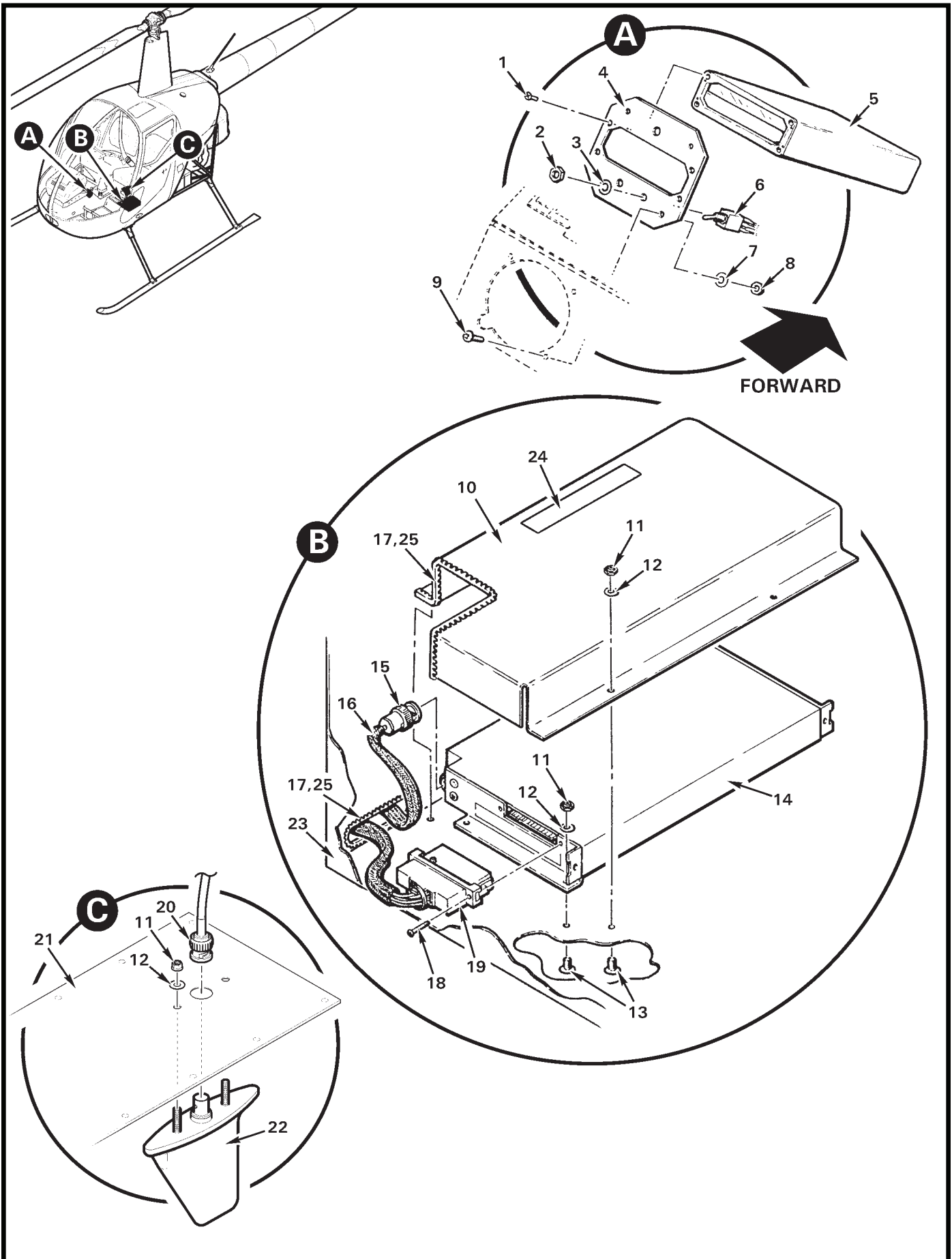




FIGURE AND INDEX NUMBER	PART NUMBER	DESCRIPTION	PARTS AVAIL	QTY PER ASSY
<b>DME INSTALLATION</b>				
6-7-1	AN507-4-40	Screw . . . . .	O	4
2	B227-4	Dress Nut . . . . .	X	3
3	B227-3	Lockwasher . . . . .	X	3
4	A590-1	Cover . . . . .	X	1
5	066-02069-0000	DME Indicator (Bendix/King KDI 574; includes item 1) . . . . .	O	1
6	B300-1	Switch (Incl items 2 and 3) . . . . .	X	3
7	NAS1149FN616P	Washer . . . . .	X	3
8	MS21042L06	Nut . . . . .	X	3
9	MS35206-228	Screw . . . . .	X	3
10	A603-2	Cover (Incl item 24) . . . . .	X	1
11	MS21042L08	Nut . . . . .	X	10
12	NAS1149FN816P	Washer . . . . .	X	10
13	MS27039C0806	Screw . . . . .	X	8
14	066-01070-0001	DME (Bendix/King KN63) . . . . .	O	1
15	030-0005-00	BNC Connector . . . . .	O	1
16	B274-518	Cable (wire no. A850-452) . . . . .	X	A/R
	B266-20	Sleeving . . . . .	X	A/R
17	MS21266-1N	Grommet (12-inch length, install using item 25) . . . . .	X	A/R
18	—	Screw . . . . .	X	2
19	—	Connector . . . . .	X	1
20	5225395-6	Plug . . . . .	X	1
21	A794-2	Panel . . . . .	X	1
22	CI-105-16	Antenna – DME/Transponder (see also Figure 6-5) . . . . .	X	1
23	A291-1	Seat Support Assembly (LH, Ref)		
24	A603-6	Decal . . . . .	X	1
25	B270-8qt	Adhesive . . . . .	X	A/R

NOTES

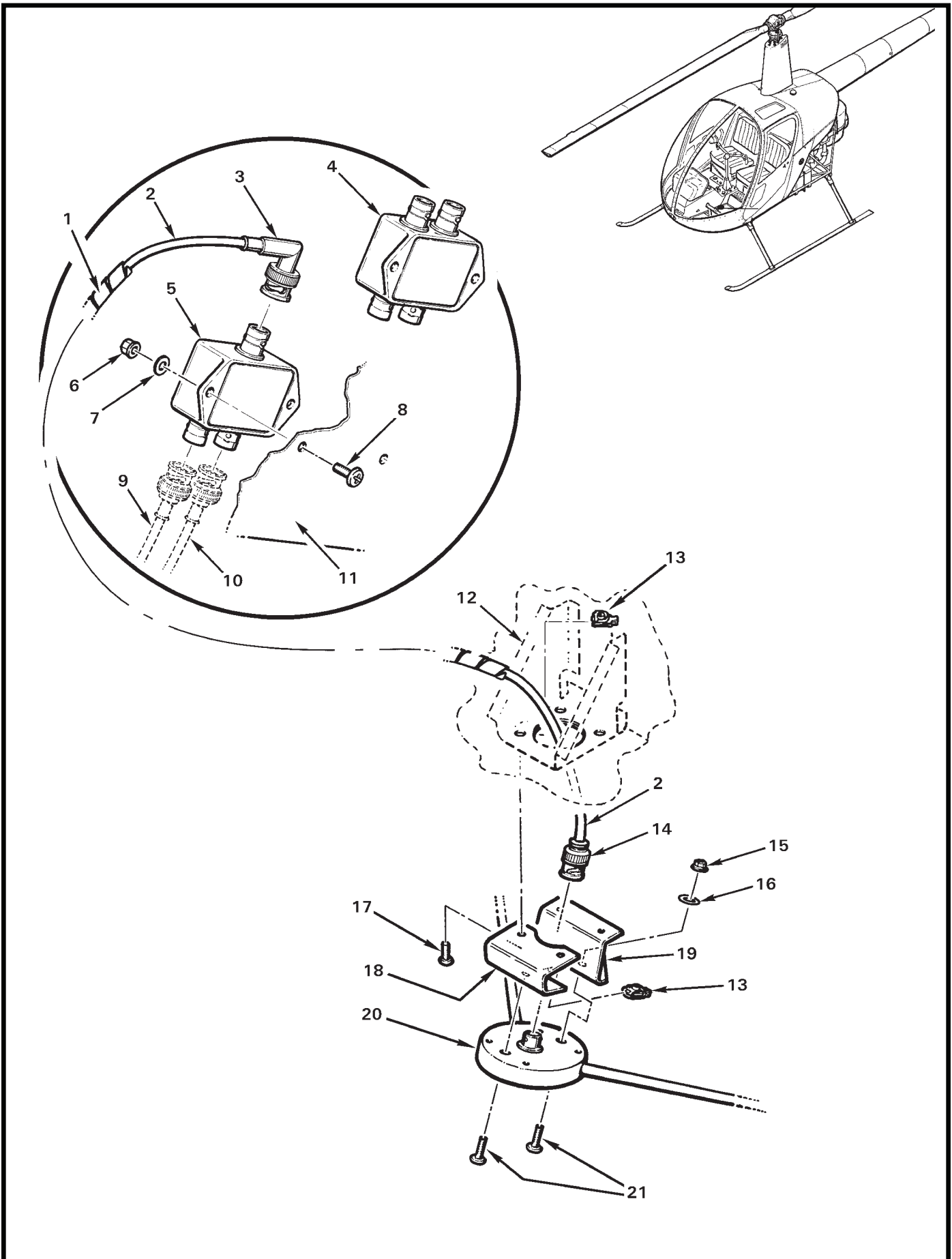


FIGURE AND INDEX NUMBER	PART NUMBER	DESCRIPTION	PARTS AVAIL	QTY PER ASSY
<b>NAV ANTENNA INSTALLATION</b>				
6-9-1	B161-4	Spirap . . . . .	X	A/R
2	A850-241	Cable (Ref; antenna-to-diplexer, if equipped)		
	A850-240	Cable (Ref; antenna-to-NAV receiver)		
3	5225973-4	Plug . . . . .	X	1
4	CI-505	Diplexer – Dual (for use when two NAV receivers and glideslope are installed) . . . . .	X	1
5	CI-507	Diplexer . . . . .	X	1
6	MS21042L08	Nut . . . . .	X	2
7	NAS1149FN816P	Washer . . . . .	X	2
8	MS27039C0806	Screw . . . . .	X	2
9	—	Cable (Ref, to radio; NAV)		
10	—	Cable (Ref, to radio; glideslope)		
11	A033	Panel – Console (LH, Ref)		
12	A669-3	Doubler (Ref) . . . . .	X	A/R
13	B162-4	Clipnut . . . . .	X	4
14	5225395-6	Plug . . . . .	X	1
15	MS21042L3	Nut . . . . .	X	1
16	NAS1149F0332P	Washer . . . . .	X	1
17	MS27039C1-07	Screw . . . . .	X	4
18	B159-1	Bracket (forward) . . . . .	X	1
19	B159-2	Bracket (aft) . . . . .	X	1
20	CI-259E	Antenna (NAV; 108-118 MHz [VOR/LOC], 329-335 MHz [glideslope]) . . . . .	X	1
21	MS27039C1-12	Screw . . . . .	X	4

NOTES

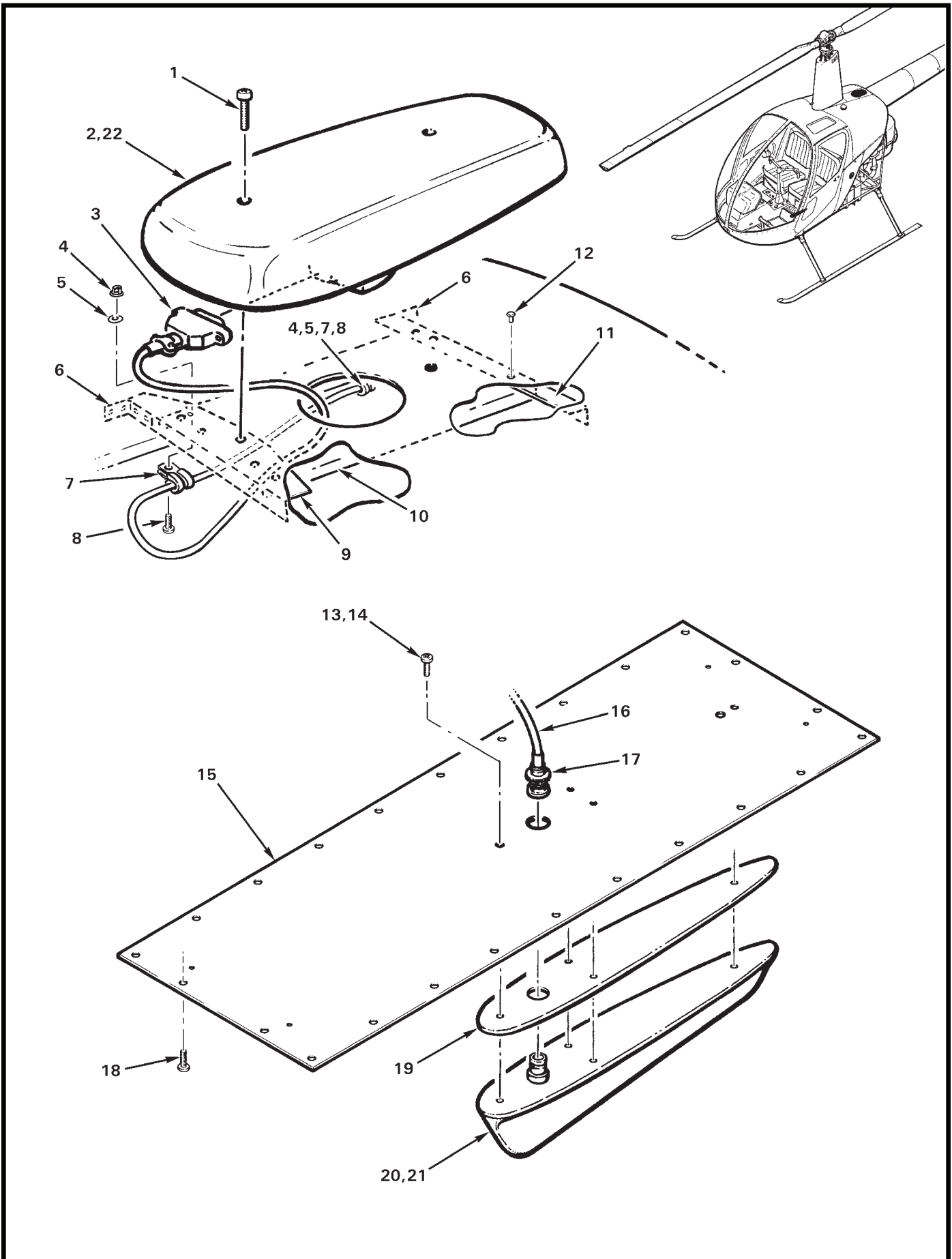


FIGURE AND INDEX NUMBER	PART NUMBER	DESCRIPTION	PARTS AVAIL	QTY PER ASSY
<b>ADF/MARKER BEACON ANTENNAS</b>				
6-11-1	089-05534-0020	Screw . . . . .	X	2
2	KA44B	Antenna – ADF (includes items 1 and 3; fill screw holes using item 22) . . . . .	O	1
3	200-02586-0000	Cable . . . . .	O	1
4	MS21042L08	Nut . . . . .	X	2
5	NAS1149FN816P	Washer . . . . .	X	2
6	A787-1	Angle . . . . .	X	2
7	MS21919WDG4	Clamp . . . . .	X	2
8	MS27039C0806	Screw . . . . .	X	2
9	A788-1	Stiffener . . . . .	X	1
10	047-04956-0003	Doubler Plate . . . . .	O	1
11	A788-2	Stiffener . . . . .	X	1
12	MS20470AD3	Rivet (used to install items 6, 9, and 11) . . . . .	X	18
13	MS27039C1-07	Screw (install using item 14 on threads) . . . . .	X	4
14	B270-11	Adhesive . . . . .	X	A/R
15	A794-2	Panel – Center Belly (Ref)		
16	A850-210	Cable (Ref)		
17	5225395-6	Plug . . . . .	X	1
18	MS27039C0807	Screw (Ref)		
19	—	Pad . . . . .	O	1
20	CI-102	Antenna – Marker Beacon (75 MHz, includes item 19; install using item 21 around base) . . . . .	O	1
21	B270-1	Adhesive . . . . .	X	A/R
22	B270-4	Sealant (for screw holes) . . . . .	X	A/R

NOTES

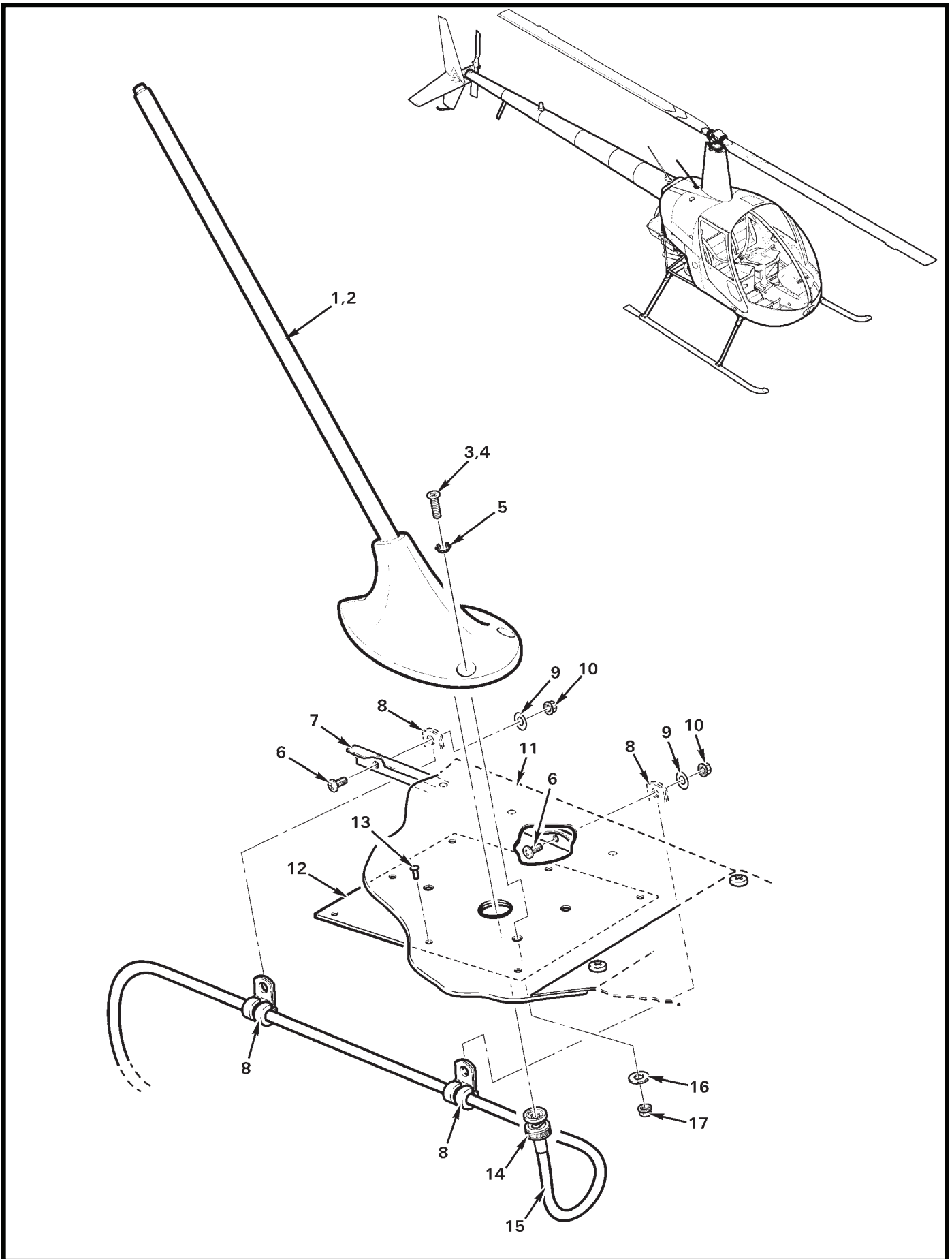


FIGURE AND INDEX NUMBER	PART NUMBER	DESCRIPTION	PARTS AVAIL	QTY PER ASSY
<b>KANNAD ELT ANTENNA INSTALLATION*</b>				
6-13-1	AV-300	Antenna (install using item 2) . . . . .	X	1
2	B270-1	Sealant . . . . .	X	A/R
3	21-84-5	Screw (install using item 4; included with item 1) . . . . .	O	3
4	B270-4	Sealant . . . . .	X	A/R
5	11-33-2	Lockwasher (countersunk; included with item 1) . . . . .	O	3
6	MS27039C0806	Screw . . . . .	X	2
7	B423-3	Stiffener (Ref)		
8	MS21919WDG3	Clamp . . . . .	X	2
9	NAS1149FN816P	Washer . . . . .	X	2
10	MS21042L08	Nut . . . . .	X	2
11	B429-2	Skin (Ref)		
12	A837-2	Doubler . . . . .	X	1
13	MS20470AD3	Rivet . . . . .	X	8
14	5225395-6	Plug (BNC) . . . . .	X	1
15	B274-518	Cable – Coaxial . . . . .	X	A/R
16	NAS1149F0316P	Washer . . . . .	X	3
17	MS21042L3	Nut . . . . .	X	3

NOTES \* Kannad ELT model AF Integra.

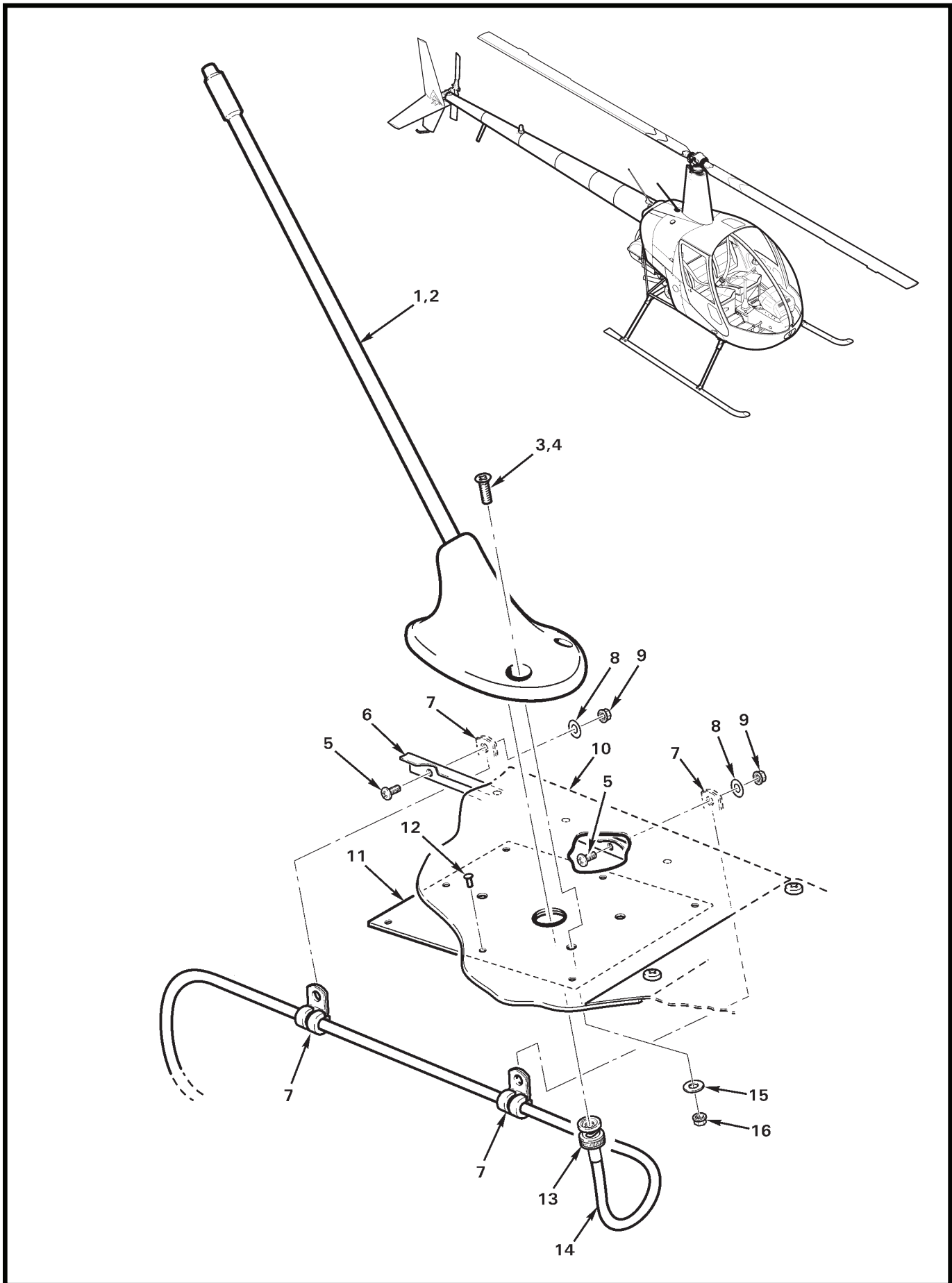




FIGURE AND INDEX NUMBER	PART NUMBER	DESCRIPTION	PARTS AVAIL	QTY PER ASSY
<b>KANNAD ELT ANTENNA INSTALLATION*</b>				
6-15-1	1327-82	Antenna (install using item 2) . . . . .	O	1
2	B270-1	Sealant . . . . .	X	A/R
3	MS24694-C51	Screw (install using item 4) . . . . .	X	3
4	B270-4	Sealant . . . . .	X	A/R
5	MS27039C0806	Screw . . . . .	X	2
6	B423-3	Stiffener (Ref)		
7	MS21919WDG3	Clamp . . . . .	X	2
8	NAS1149FN816P	Washer . . . . .	X	2
9	MS21042L08	Nut . . . . .	X	2
10	B429-2	Skin (Ref)		
11	A837-2	Doubler . . . . .	X	1
12	MS20470AD3	Rivet . . . . .	X	8
13	5225395-6	Plug (BNC) . . . . .	X	1
14	B274-518	Cable – Coaxial . . . . .	X	A/R
15	NAS1149F0316P	Washer . . . . .	X	3
16	MS21042L3	Nut . . . . .	X	3

NOTES \* Kannad ELT model 406 AF.

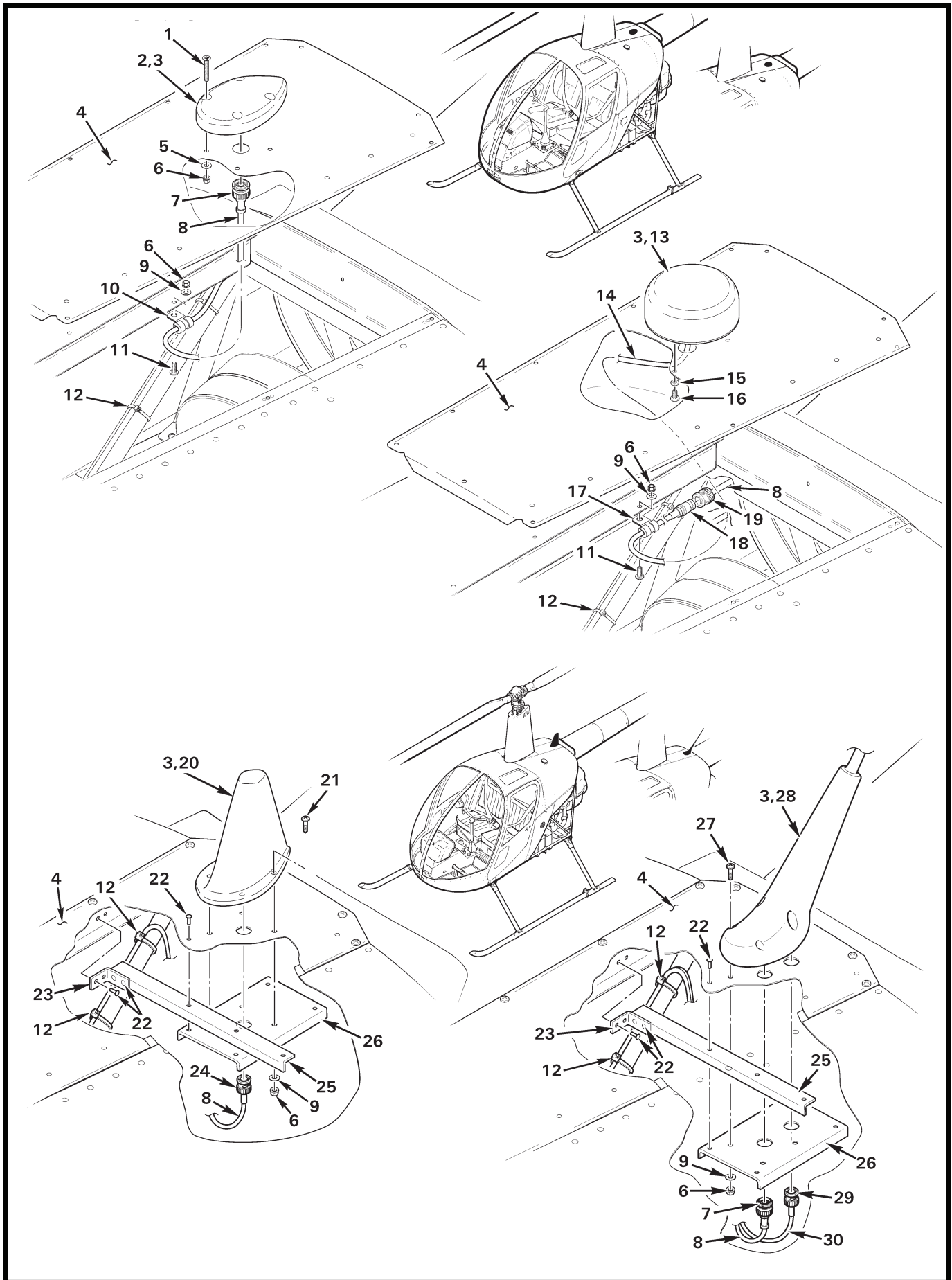


FIGURE AND INDEX NUMBER	PART NUMBER	DESCRIPTION	PARTS AVAIL	QTY PER ASSY
<b>GPS ANTENNA INSTALLATION</b>				
6-17-1	MS24694-S13	Screw . . . . .	X	1
2	013-00235-00*	Antenna – GPS (Garmin model GA 35. Install using item 3.) . .	X	1
3	B270-1	Sealant . . . . .	X	A/R
4	B429	Skin (Ref)		
5	NAS1149FN832P	Washer . . . . .	X	4
6	MS21042L08	Nut . . . . .	X	5
7	5225555-6	Plug (GPS) . . . . .	X	1
8	A850-468	Cable – (GPS, Ref)		
9	NAS1149FN816P	Washer . . . . .	X	5
10	MS21919WDG3	Clamp . . . . .	X	1
11	MS27039C0806	Screw . . . . .	X	1
12	MS3367-4-9	Ty-Rap (or MS3367-5-9). . . . .	X	A/R
13	010-00174-03*	Antenna – GPS (Garmin model GA 29F. For use when ELT is installed. No longer available; superceded by item 2.) . . . .	O	1
14	—	Cable (supplied with item 13)		
15	B332-42	Lockwasher . . . . .	X	2
16	92000A218	Screw . . . . .	X	2
17	MS21919WDG4	Clamp . . . . .	X	1
18	5225396-1	Jack . . . . .	X	1
19	5225395-6	Plug . . . . .	X	1
20	011-00013-00*	Antenna – GPS (install using item 3). . . . .	O	1
21	MS24694-C5	Screw . . . . .	X	4
22	MS20470AD3	Rivet . . . . .	X	9
23	A787-1	Angle . . . . .	X	1
24	5225395-1	Plug . . . . .	X	1
25	A788-1	Stiffener . . . . .	X	1
26	A904-1	Doubler . . . . .	X	1
27	MS27039C0811	Screw . . . . .	X	4
28	CI-4510-7C	Antenna (Ref, VHF/GPS; 118-137 MHz [VHF], 1575.42 MHz [GPS]. No longer available; order item 15 on Figure 6-23. For use when ELT is not installed.)		
29	225395-6	Plug (COM) . . . . .	X	1
30	A850-212	Cable – (COM, Ref)		

NOTES \* Garmin part no.

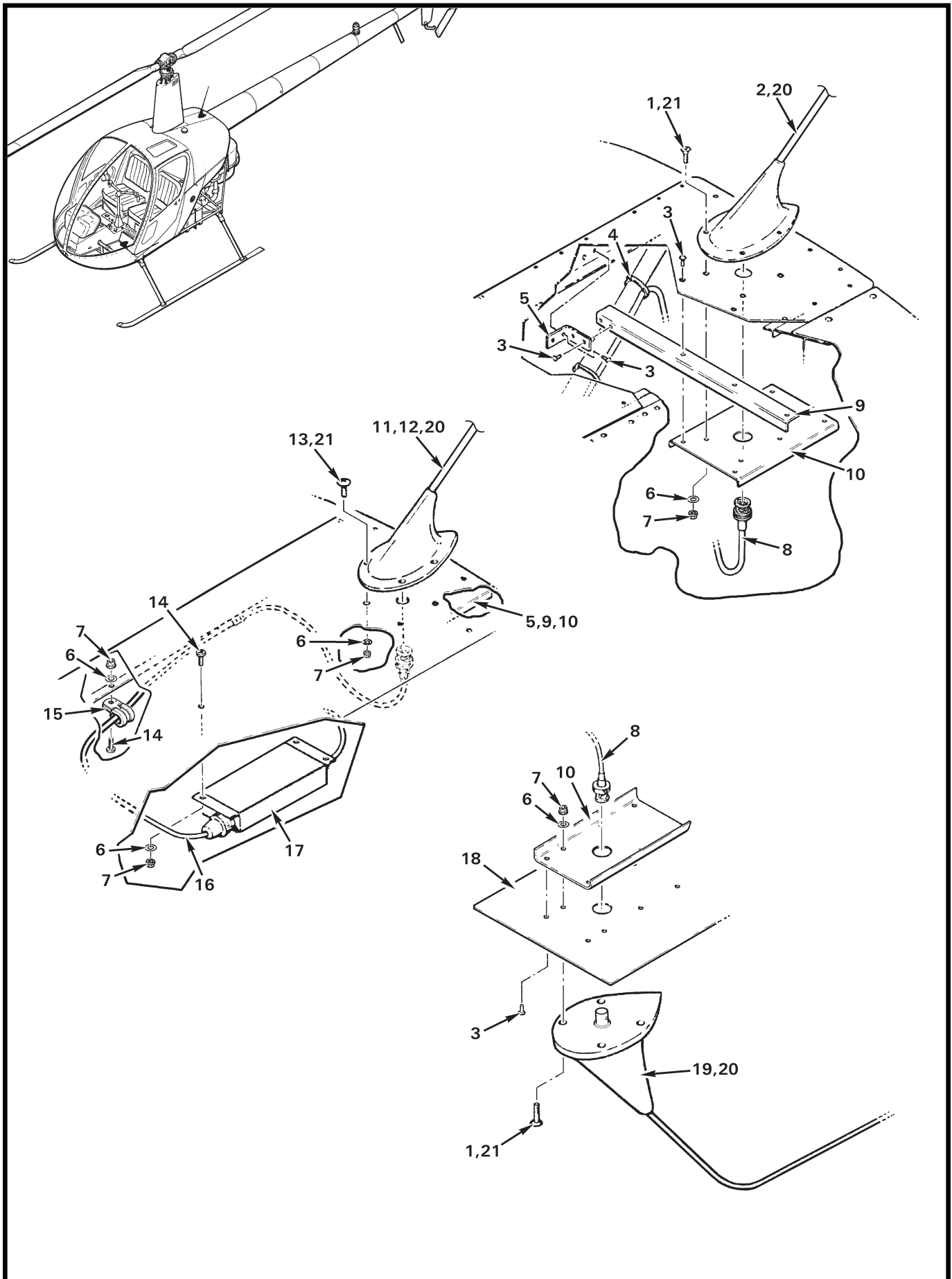


FIGURE AND INDEX NUMBER	PART NUMBER	DESCRIPTION	PARTS AVAIL	QTY PER ASSY
<b>LORAN ANTENNA INSTALLATION</b>				
6-19-1	MS24693-S51	Screw (install using item 21) . . . . .	X	4
2	A-16*	Antenna – Loran (Apollo I and II installations; install using item 20. No longer available.) . . . . .	O	1
3	MS20470AD3	Rivet . . . . .	X	9
4	MS3367-4-9	Ty-Rap . . . . .	X	A/R
5	A787-1	Angle . . . . .	X	1
6	NAS1149FN816P	Washer . . . . .	X	4
7	MS21042L08	Nut . . . . .	X	4
8	A850-468	Cable (Ref)		
9	A788-1	Stiffener . . . . .	X	1
10	A904-1	Doubler . . . . .	X	1
11	AN100*	Antenna – Loran (Northstar; install using item 20) . . . . .	O	1
12	KA0083*	Antenna – Loran (Bendix/King KLN 88; install using item 20. No longer available.) . . . . .	O	1
13	MS24694-C5	Screw (install using item 21) . . . . .	X	4
14	MS27039C0806	Screw . . . . .	X	3
15	MS21919WDG4	Clamp . . . . .	X	1
16	—	Cable Assembly (Ref)		
17	2210	Coupler (used with item 11; includes item 16) . . . . .	O	1
18	A794-2	Panel – Belly (Ref)		
19	A-23A*	Antenna – Loran (Apollo, for use when ADF is installed; install using item 20. No longer available.) . . . . .	O	1
20	B270-1	Sealant . . . . .	X	A/R
21	B270-4	Sealant . . . . .	X	A/R

NOTES \* Earlier R22s.

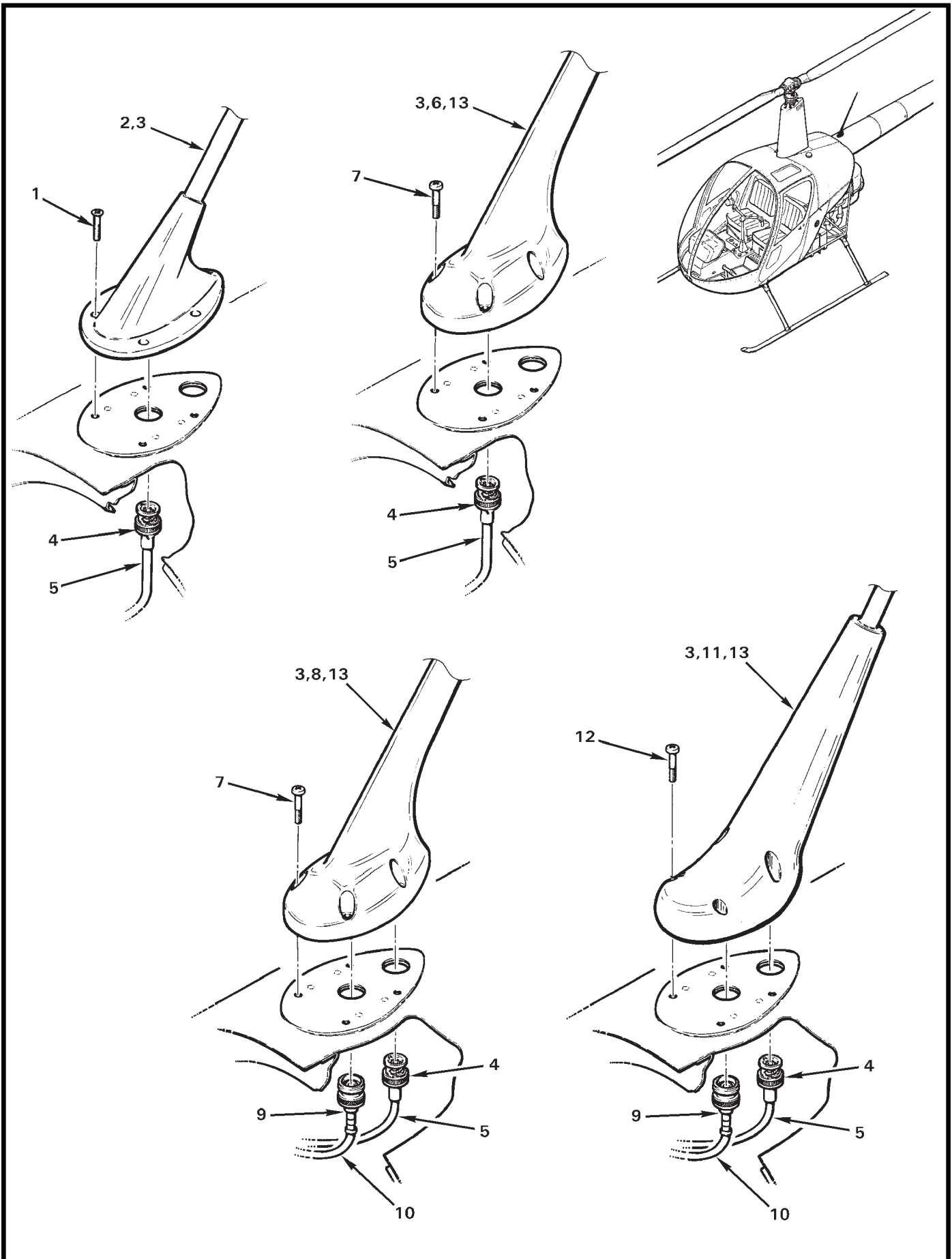


FIGURE AND INDEX NUMBER	PART NUMBER	DESCRIPTION	PARTS AVAIL	QTY PER ASSY
<b>FORWARD UPPER TAILCONE ANTENNAS</b>				
6-21-1	MS24694-C7	Screw . . . . .	X	4
2	CI-121	Antenna (VHF, 118-137 MHz; install using item 3 around base)	X	1
3	B270-1	Sealant . . . . .	X	A/R
4	5225395-6	Plug . . . . .	X	1
5	A850-212	Cable – COM (Ref)		
6	CI-248-5*	Antenna (VHF, 118-137 MHz) . . . . .	X	1
7	MS27039C0815	Screw (install using item 13) . . . . .	X	4
8	CI-2480-201*	Antenna (GPS/COM; 118-137 MHz [VHF], 1575.42 MHz [GPS])	X	1
9	5225555-6	Plug . . . . .	X	1
10	A850-468	Cable – GPS (Ref)		
11	CI-4510-7C*	Antenna (Ref, VHF/GPS; 118-137 MHz [VHF], 1575 MHz [GPS]. No longer available, order item 8.)		
12	MS27039C0813	Screw (install using item 13) . . . . .	X	4
13	B270-4	Sealant . . . . .	X	A/R

NOTES \* Install using item 3 around base and using item 13 to fill screw holes.

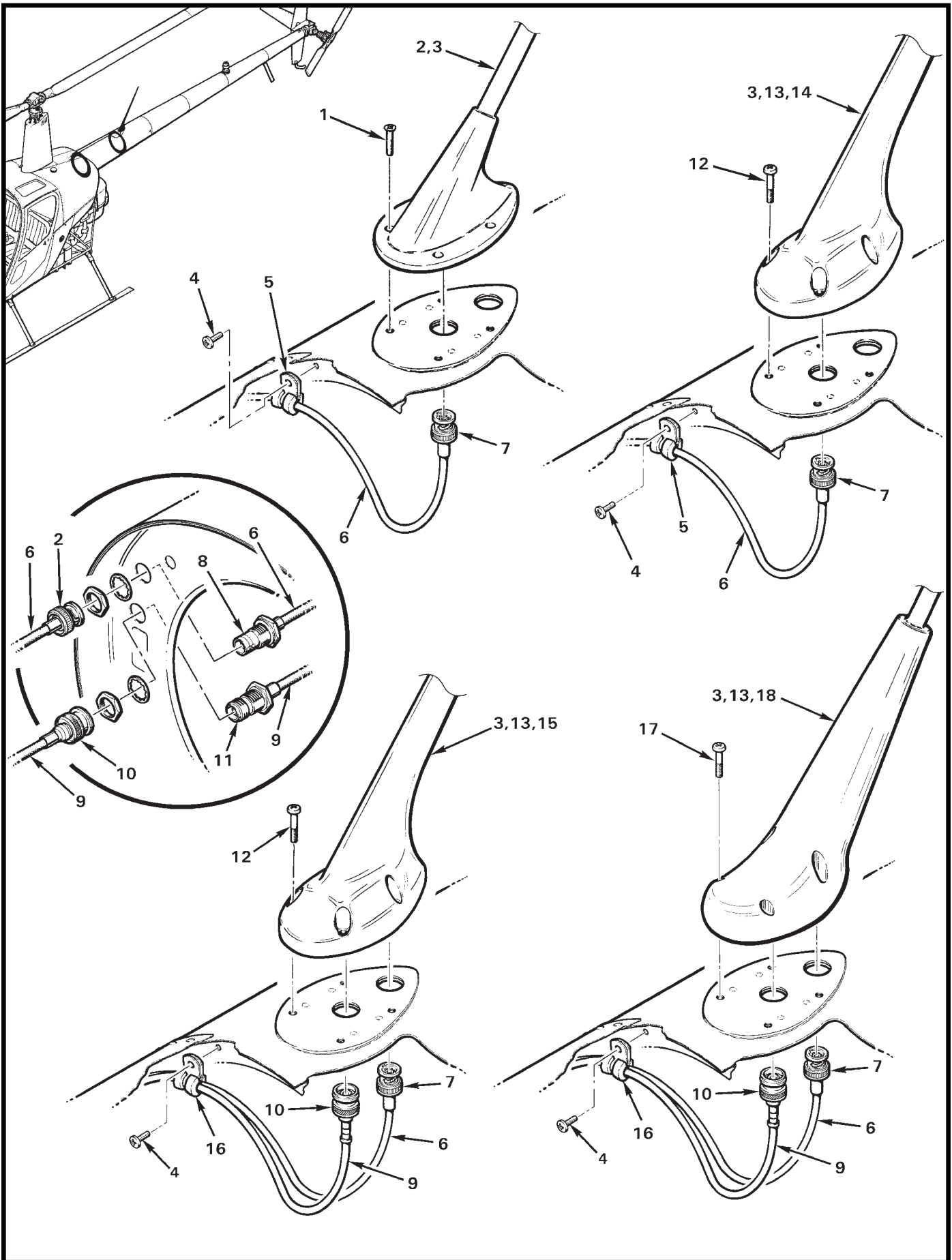




FIGURE AND INDEX NUMBER	PART NUMBER	DESCRIPTION	PARTS AVAIL	QTY PER ASSY
<b>AFT UPPER TAILCONE ANTENNAS</b>				
6-23-1	MS24694-C7	Screw . . . . .	X	4
2	CI-121	Antenna (VHF, 118-137 MHz; install using item 3 around base)	X	1
3	B270-1	Sealant . . . . .	X	A/R
4	MS27039C0810	Screw . . . . .	X	1
5	MS21919WDG3	Clamp . . . . .	X	1
6	A850-212	Cable – COM (Ref)		
7	5225395-6	Plug . . . . .	X	2
8	5225398-6	Jack – Bulkhead (includes washer and nut) . . . . .	X	1
9	A850-468	Cable – GPS (Ref)		
10	5225555-6	Plug . . . . .	X	2
11	5225557-6	Jack – Bulkhead (includes washer and nut) . . . . .	X	1
12	MS27039C0815	Screw (install using item 13) . . . . .	X	4
13	B270-4	Sealant . . . . .	X	A/R
14	CI-248-5*	Antenna (VHF, 118-137 MHz) . . . . .	X	1
15	CI-2480-201*	Antenna (GPS/COM; 118-137 MHz [VHF], 1575 MHz [GPS]) . .	X	1
16	MS21919WDG6	Clamp . . . . .	X	1
17	MS27039C0813	Screw (install using item 13) . . . . .	X	4
18	CI-4510-7C*	Antenna (Ref, VHF/GPS; 118-137 MHz [VHF], 1575.42 MHz [GPS]. No longer available, order item 15.)		

NOTES \* Install using item 3 around base and using item 13 to fill screw holes.

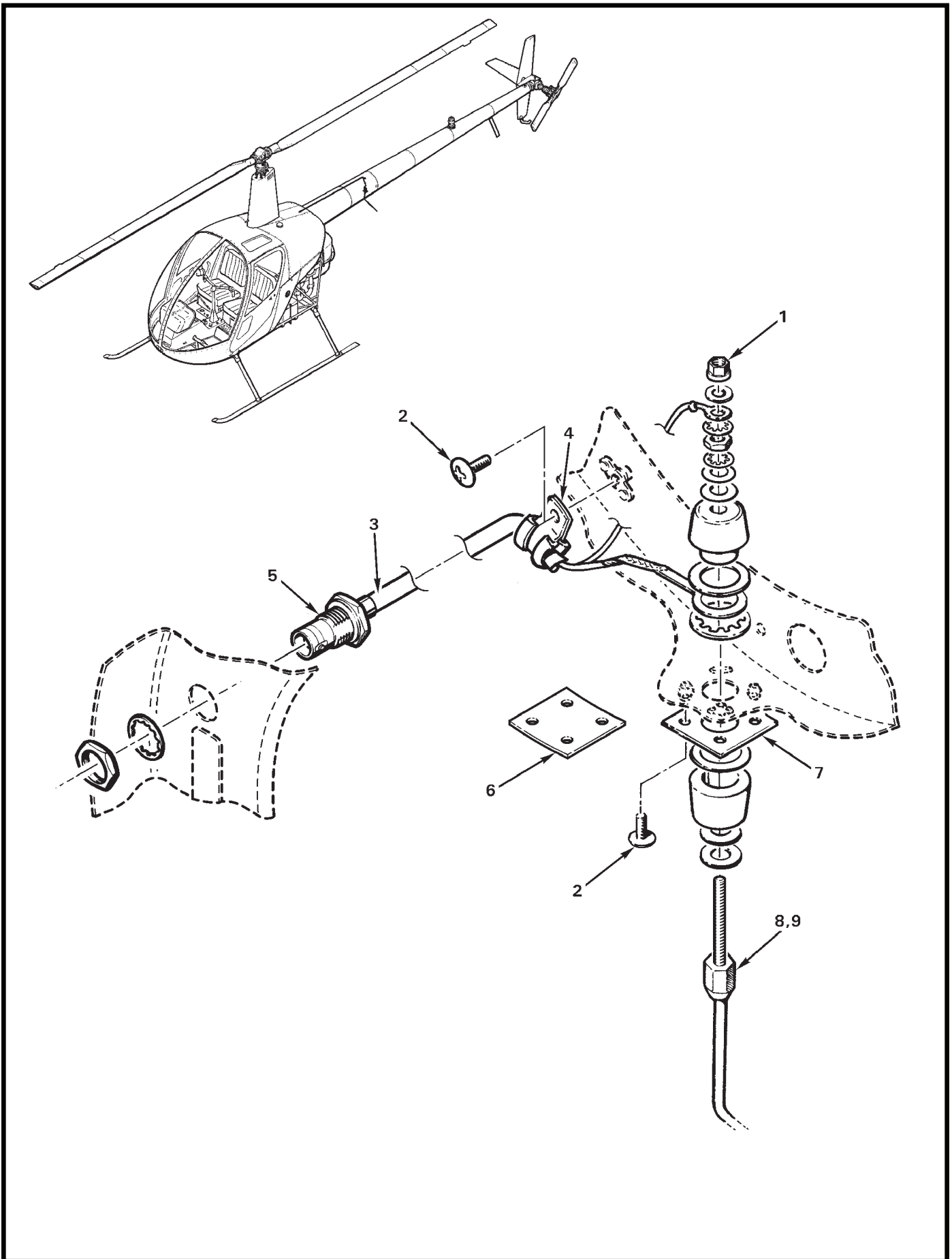


FIGURE AND INDEX NUMBER	PART NUMBER	DESCRIPTION	PARTS AVAIL	QTY PER ASSY
<b>LOWER TAILCONE ANTENNA</b>				
6-25-1	MS21042L3	Nut . . . . .	X	1
2	MS27039C0806	Screw . . . . .	X	5
3	—	Belden Cable – COM . . . . .	O	1
4	MS21919WDG3	Clamp . . . . .	X	4
5	5225398-6	Jack – Bulkhead (includes washer and nut) . . . . .	X	1
6	A746-2	Plate (in place when AV-534L antenna not installed) . . . . .	X	1
7	A746-1	Plate . . . . .	X	1
8	AV-534L	Antenna – COM (VHF) . . . . .	X	1
* * *				
9	KI-5	COM Antenna Installation Kit (Incl items 1 thru 5, 7, 8, and 10)	X	1
10	MS3367-4-9*	Ty-Rap . . . . .	X	5
11	5225395-6**	Plug . . . . .	X	1
12	B274-518**	Cable – COM (cabin side) . . . . .	X	1

NOTES \* Not shown; used to secure item 12 to upper frame.  
 \*\* Not shown.

Intentionally Blank