

CHAPTER 33

LIGHTS

<i>Figure</i>	<i>Title</i>	<i>Page</i>
33-1	Strobe Light Installation	33.0
33-5	Navigation Lights Installation – Right and Left Position	33.4
33-7	Navigation Lights Installation – Tail Position	33.6
33-9	Landing Lights Installation (HID)	33.8
33-11	Landing Lights Installation	33.10
33-13	Spotlight Installation (LED)	33.12
33-15	Spotlight Installation	33.14

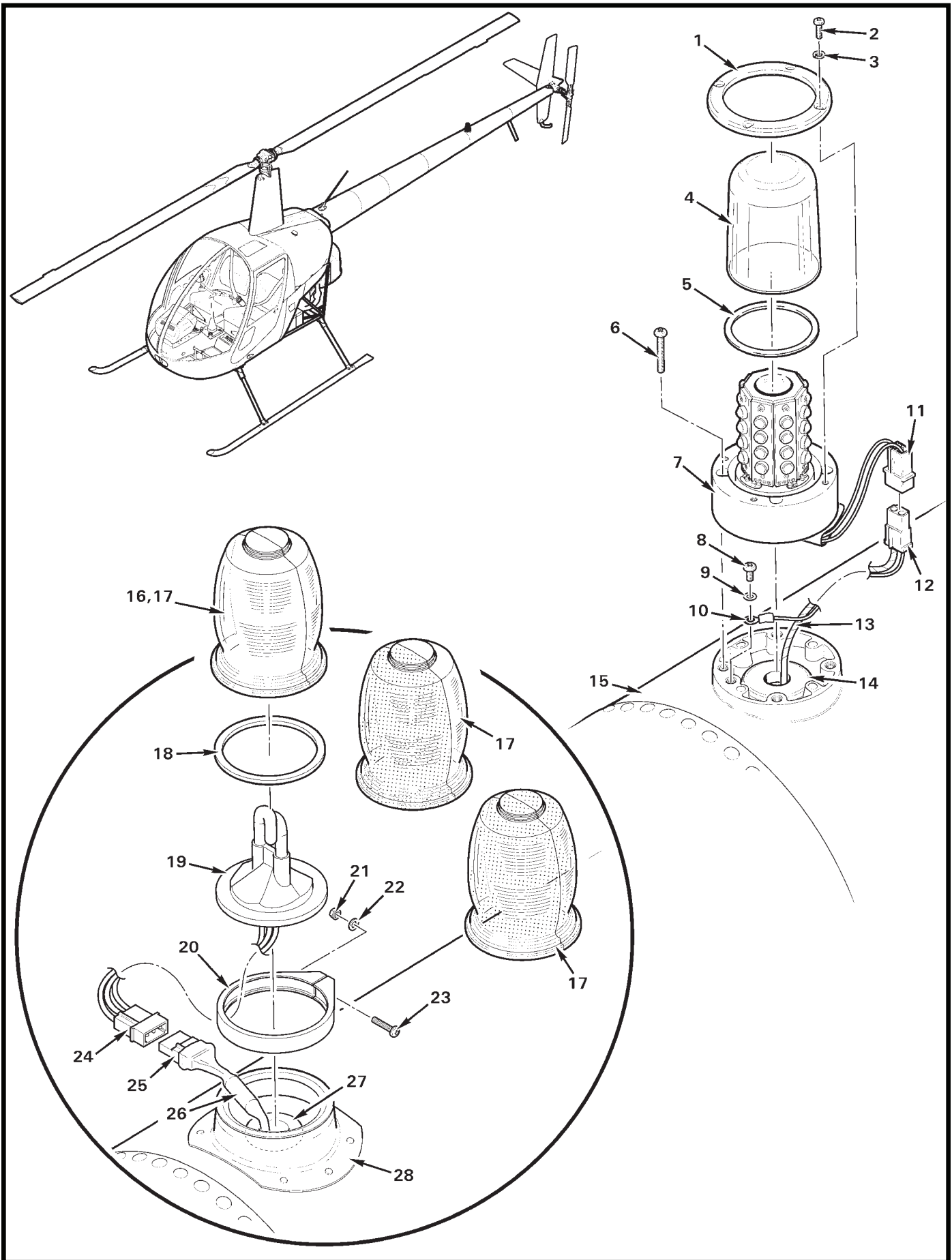


FIGURE AND INDEX NUMBER	PART NUMBER	DESCRIPTION	PARTS AVAIL	QTY PER ASSY
STROBE LIGHT INSTALLATION				
33-1-1	19-171047-100*	Retainer	O	1
2	140050505-14*	Screw	O	4
3	16-0050506135*	Lockwasher (or MS35338-135)	O	4
4	68-4971082A30*	Lens (clear)	O	1
5	38-0250885-00*	Gasket	O	1
6	MS35206-234	Screw	X	4
7	A708-14	Strobe Light (includes items 1 thru 5, and 11; 14-volt ships, red)	X	1
8	MS35206-227	Screw	X	1
9	NAS620-6L	Washer	X	1
10	B260-2	Terminal	X	1
11	02-0230007-00*	Housing	O	1
	—	Pin	O	2
12	B263-13	Housing	X	1
	B263-2	Socket	X	2
13	B161-2	Spirap	X	A/R
14	MS35489-15	Grommet	X	1
15	A023	Tailcone Assembly (Ref)		
16	A708-2**	Strobe Light – Assembly (Includes items 17, 18, and 19 thru 24. See Figure 96-25 for power supply installation.)	X	1
	A708-11**	Strobe Light – Assembly (Includes items 17, 18, and 19 thru 24. See Figure 96-25 for power supply installation.)	X	1
17	A708-7	Lens Assembly (red)	X	1
	A708-10	Lens Assembly (white)	X	1
	A708-12	Lens Assembly (red/white***)	X	1
18	A467*	Gasket (use with A708-2 assembly)	X	1
	38-0250429-00*	Gasket (use with A708-11 assembly)	X	1
19	A469B*	Bulb/Flash Tube Assembly	X	1
20	01-0450685-00*	Clamp	X	1
21	MS21042L06	Nut	X	4
22	NAS620-6	Washer	X	1
23	—	Screw	O	1
24	—	Connector (3-pin)	O	1
25	B263-15**	Housing (Ref)		
	B263-4**	Socket (Ref)		
26	B274-450**	Wire (Ref)		

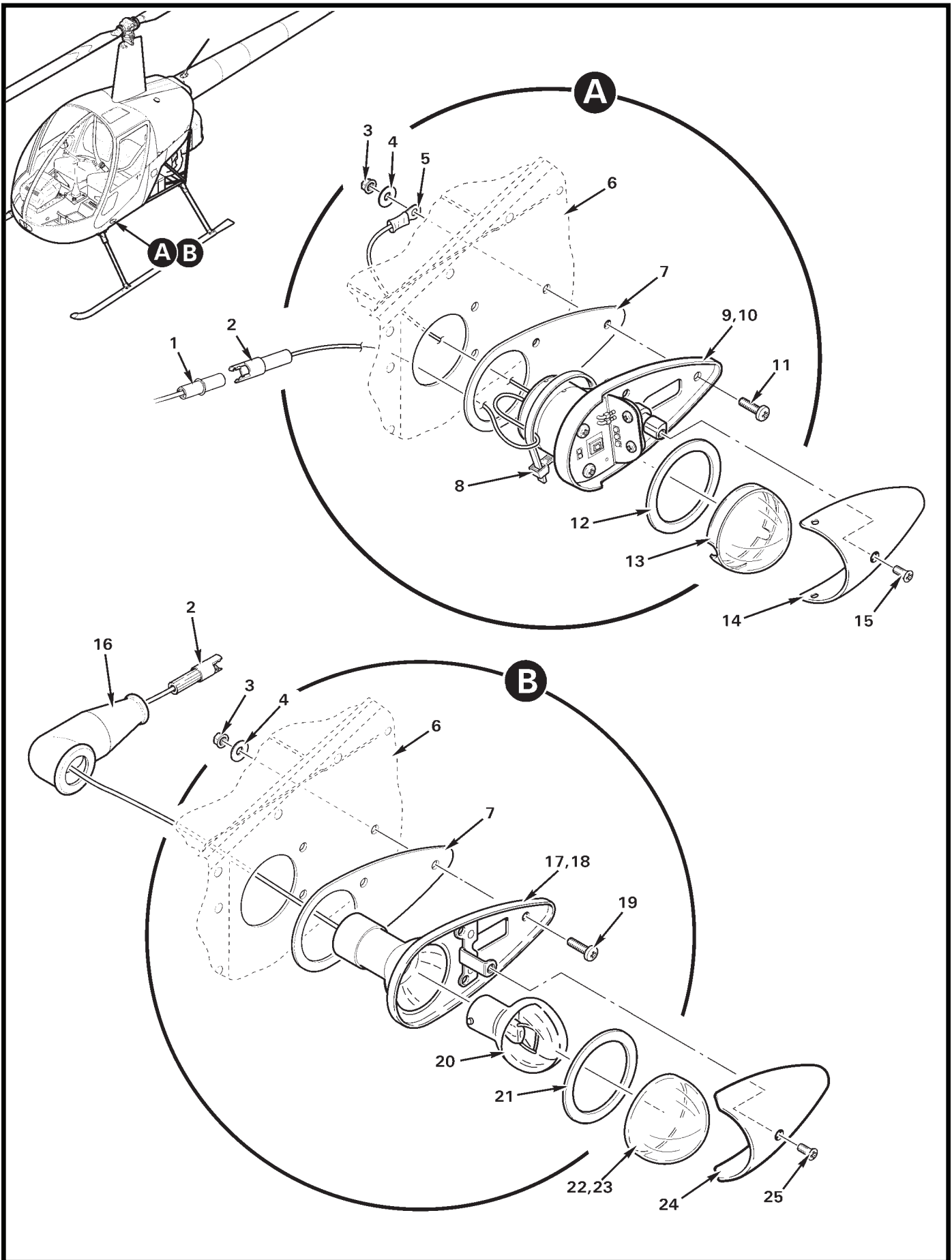
NOTES * Whelen part no.
 ** Earlier R22s. For items 25 thru 28 see Figure 53-19.
 *** Install red lens forward.

Continues

FIGURE AND INDEX NUMBER	PART NUMBER	DESCRIPTION	PARTS AVAIL	QTY PER ASSY
STROBE LIGHT INSTALLATION* (Cont'd)				
33-1-27 28	MS35489-18* C528-1*	Grommet (Ref) Mount – Strobe Light (Ref)		

NOTES * Earlier R22s. For items 25 thru 28 see Figure 53-19.

Intentionally Blank



Page 33.4 FIGURE 33-5 NAVIGATION LIGHTS INSTALLATION – RIGHT AND LEFT POSITION

FIGURE AND INDEX NUMBER	PART NUMBER	DESCRIPTION	PARTS AVAIL	QTY PER ASSY
		NAVIGATION LIGHTS INSTALLATION – RIGHT AND LEFT POSITION		
33-5-1	B263-11	Housing (Ref)		
2	B263-10	Housing	X	1
	B263-1	Pin	X	1
3	MS21042L06	Nut	X	3
4	NAS1149FN616P	Washer	X	3
5	B260-2	Terminal	X	1
6	A015-3	Skin (LH, Ref)		
	A015-4	Skin (RH, Ref)		
7	A779-1	Gasket	X	1
8	MS3367-5-9	Ty-Rap	X	1
9	A039-21	Position Light Assembly (LH, red LED; includes items 5, and 12 thru 15.)	X	1
10	A039-22	Position Light Assembly (RH green LED; includes items 5, and 12 thru 15. Not shown.)	X	1
11	MS35206-230	Screw	X	3
12	38-0230021-00*	Gasket	O	1
13	68-3950902A30*	Lens (clear)	X	1
14	19-150002-010*	Retainer	O	1
15	14-00505-08-27*	Screw	O	1
16	MS25171-2S	Nipple	X	1
17	A039-4**	Position Light Assembly (LH; includes items 2, 18, 20 thru 22, 24, and 25.)	X	1
	A039-5**	Position Light Assembly (RH; includes items 2, 18, 20 thru 22, 24, and 25.)	X	1
18	W1285-2*	Base Assembly (Ref)	O	1
19	MS35206-229	Screw	X	3
20	W1290-14*	Lamp	X	1
21	W1283*	Gasket	X	1
22	W1284R*	Lens (LH, red)	X	1
23	W1284G*	Lens (RH, green)	X	1
24	W1282*	Lens Retainer	X	1
25	—	Screw	O	1

NOTES * Whelen part no.
** Earlier R22s.

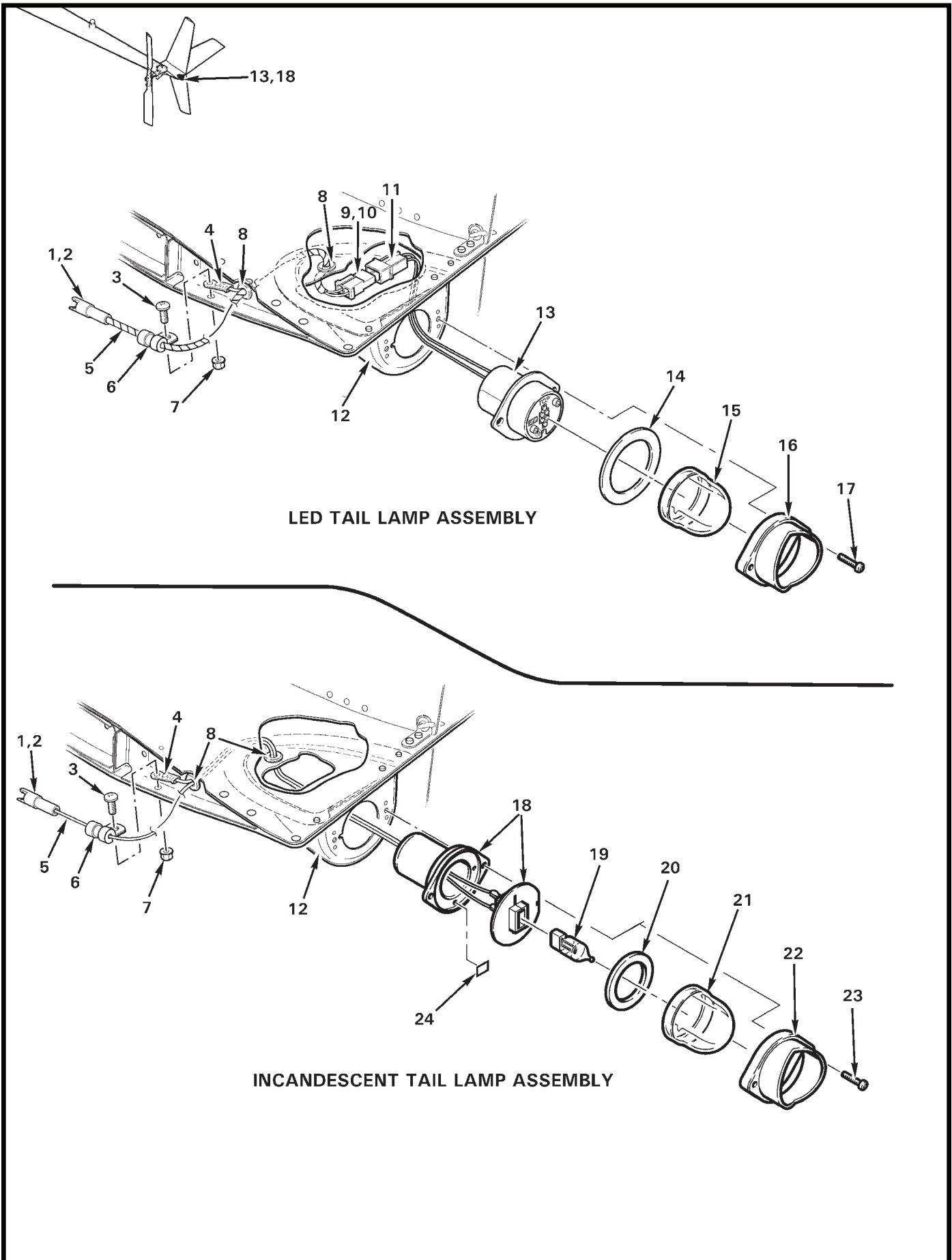


FIGURE AND INDEX NUMBER	PART NUMBER	DESCRIPTION	PARTS AVAIL	QTY PER ASSY
NAVIGATION LIGHTS INSTALLATION – TAIL POSITION				
33-7-1	B263-10	Housing	X	1
2	B263-1	Pin	X	1
3	MS27039C0806	Screw	X	1
4	B260-3	Terminal (ring tongue)	X	1
5	B161-2	Spirap	X	A/R
6	MS21919WDG2	Clamp	X	1
7	MS21042L08	Nut	X	1
8	MS35489-4	Grommet	X	2
9	B263-13	Housing	X	1
	B263-2	Socket	X	2
10	D049-5	Harness Assembly – Tail Light (Incl items 2, 4, 5, and 9)	X	1
11	—	Housing	O	1
	—	Pin	O	2
12	A529-1	Mount Assembly (Ref)	X	1
13	01-0771554-11*	Tail Light Assembly (LED; includes items 11, and 14 thru 17)	X	1
14	38-0231060-00*	Gasket	O	1
15	68-3970991-30*	Lens (clear)	O	1
16	01-0271552-11*	Lens Retainer	O	1
17	—	Screw	O	1
18	A698-1	Tail Light Assembly (Ref; no longer available. Superseded by item 13. To replace, order items 10 and 13.)		
19	34-0412070-63*	Lamp (halogen)	X	1
20	A455*	Gasket	X	1
21	A457A*	Lens (clear)	X	1
22	A425*	Lens Retainer	X	1
23	—	Screw	O	1
24	A701-1	Tape (foil)	X	A/R

NOTES * Whelen part no.

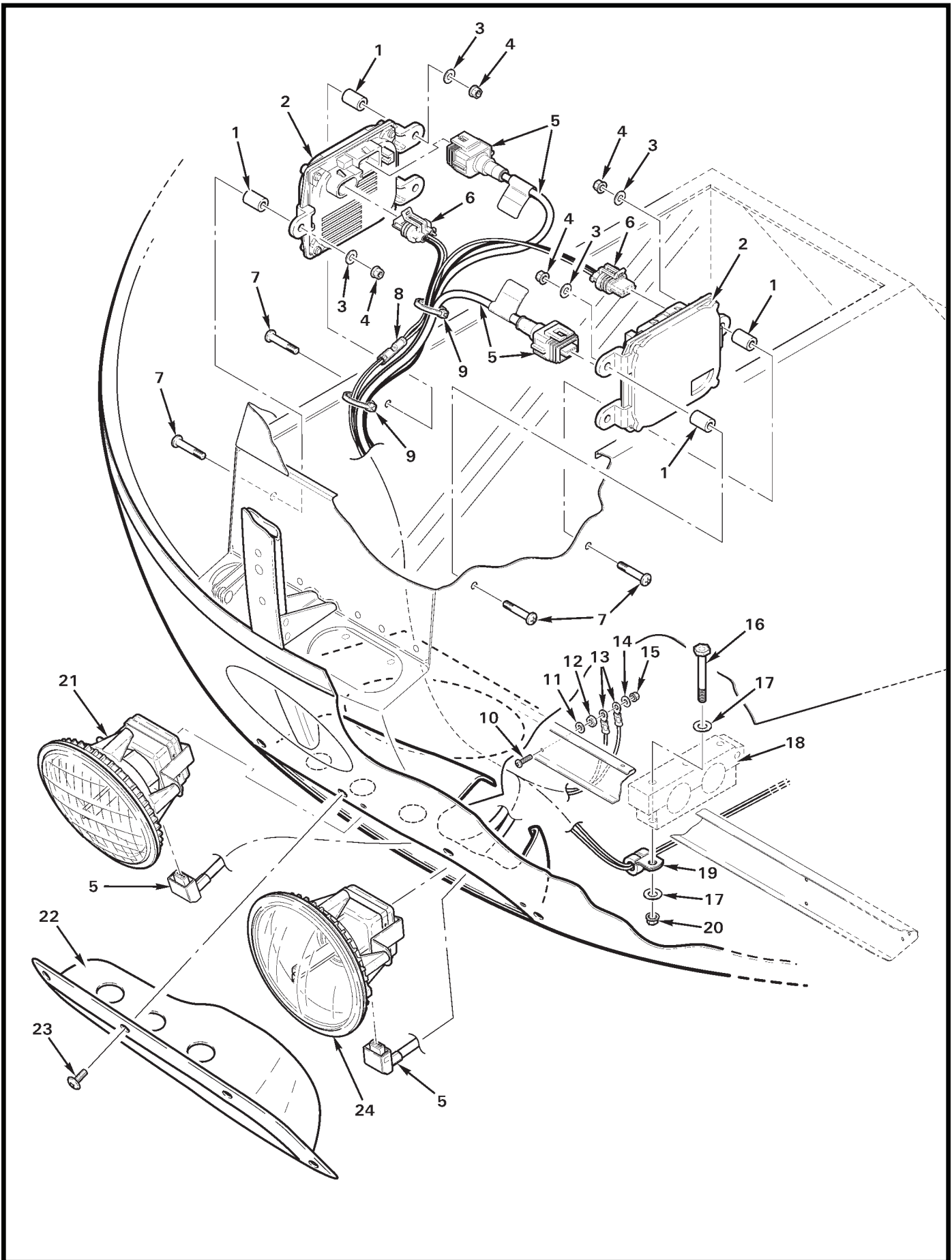


FIGURE AND INDEX NUMBER	PART NUMBER	DESCRIPTION	PARTS AVAIL	QTY PER ASSY
LANDING LIGHTS INSTALLATION (HID)				
33-9-1	A130-38	Spacer	X	4
2	B557-5	Ballast (Incl item 6)	X	2
3	NAS1149FN832P	Washer	X	4
4	MS21042L08	Nut	X	4
5	B557-6	Cable	X	2
6	B557-7	Power Cord (connector and wires)	O	2
7	MS27039C0816	Screw	X	4
8	B261-3	Splice (for power [white] wires)	X	1
9	MS3367-4-9	Ty-Rap	X	2
10	B567-43	Screw (brass)	X	1
11	NAS1149DN832H	Washer	X	1
12	B301-8	Nut (brass)	X	1
13	B260-3	Terminal	X	2
14	NAS1149FN816P	Washer	X	1
15	MS21042L08	Nut	X	1
16	NAS6603-20	Bolt (Ref)		
17	NAS1149F0332P	Washer (Ref)		
18	A318-1-2	Bearing Block Set (Ref)		
19	MS21919WDG4	Clamp	X	1
20	D210-3	Nut (Ref)		
21	B557-2	Lamp (RH; HID, flood)	X	1
22	A526-1	Retainer	X	1
23	AN526C832R8*	Screw	X	8
24	B557-1	Lamp (LH; HID, spot)	X	1

NOTES * B526 screws may be used in this location with B527-08 nylon washers (see part interchangeability list, page viii).

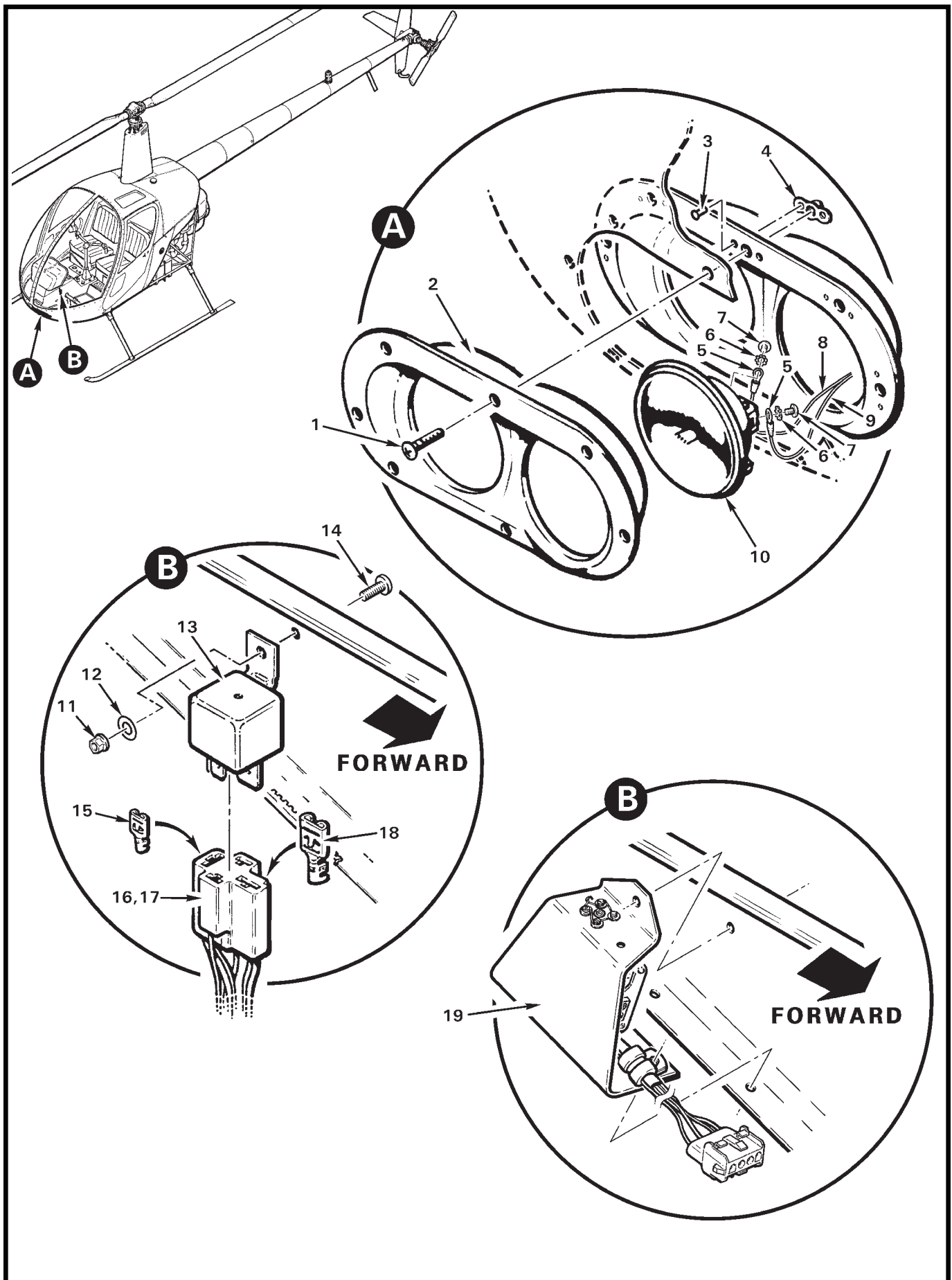


FIGURE AND INDEX NUMBER	PART NUMBER	DESCRIPTION	PARTS AVAIL	QTY PER ASSY
LANDING LIGHTS INSTALLATION				
33-11-1	AN526C832R8*	Screw	X	8
2	A526-1	Retainer – Landing Light	X	1
3	MS20426AD3	Rivet	X	16
4	MS21069L08	Nutplate	X	8
5	B260-3	Terminal	X	4
6	—	Lockwasher	O	2
7	—	Screw	O	2
8	A859-117	Wire (Ref)		
9	A859-115	Wire (Ref)		
10	B196-26	Lamp (GE, includes items 6 and 7)	X	2
11	MS21042L08	Nut	X	1
12	NAS1149FN816P	Washer	X	1
13	D260-1	Relay – Landing Lights	X	1
14	MS27039C0806	Screw	X	1
15	B262-6	Receptacle (small, used with item 16)	X	1
16	D260-5	Connector (70 amp)	X	1
17	B803-1	Harness Assembly (Incl items 15, 16 and 18)	X	1
18	B262-7	Receptacle (large, used with item 16)	X	1
19	A039-2	Relay – Landing Lights (Ref; no longer available. To replace, order item 20.)		
20	KI-61	Landing Light Relay Conversion Kit (Replaces A039-2 relay assembly with item 13. Includes items 13 and 17.)	X	1

NOTES * B526 screws may be used in this location with B527-08 nylon washers (see part interchangeability list, page viii).

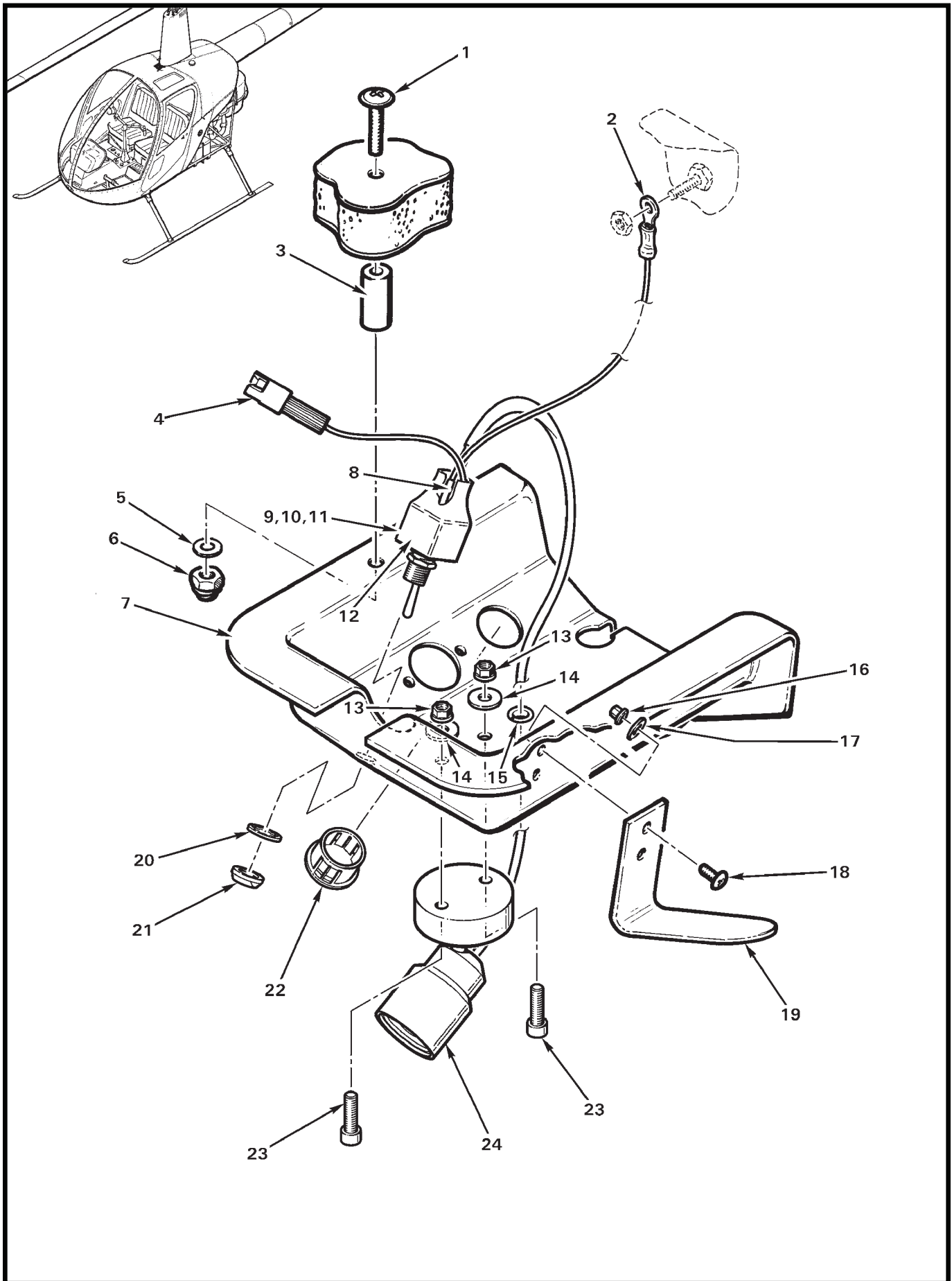


FIGURE AND INDEX NUMBER	PART NUMBER	DESCRIPTION	PARTS AVAIL	QTY PER ASSY
SPOTLIGHT INSTALLATION (LED)				
33-13-1	AN525-832R12	Screw	X	2
2	A039-1858	Wire – Ground	X	1
3	A130-34	Spacer	X	2
4	B263-10	Housing (used with item 9)	X	1
	B263-1	Pin	X	1
5	NAS1149FN816P	Washer	X	2
6	B340-4	Nut	X	2
7	A712-4	Cover	X	1
8	B158-2	Heat Shrink (around leads)	X	A/R
9	B300-5	Switch Assembly (Incl items 20 and 21)	X	1
10	B0207C422R0F5T	Resistor (not shown)	X	1
11	B0207C1K430F5T	Resistor (not shown)	X	1
12	B158-12	Heat Shrink	X	A/R
13	MS21042L06	Nut	X	2
14	NAS620-6L	Washer	X	2
15	NAS557-3A	Grommet	X	1
16	MS21042L04	Nut	X	2
17	NAS1149FN416P	Washer	X	2
18	MS35206-215	Screw	X	2
19	A752-1	Angle	X	1
20	B227-3	Lockwasher	X	1
21	B227-4	Dress Nut	X	1
22	2653	Hole Plug	X	2
23	NAS1352-06-8	Screw	X	2
24	D606-1	Spotlight	X	1
25	A039-14	Spot Light Assembly (LED with ICS; includes items 2, 4, 7 thru 19, 22 thru 24.)	X	1

NOTES

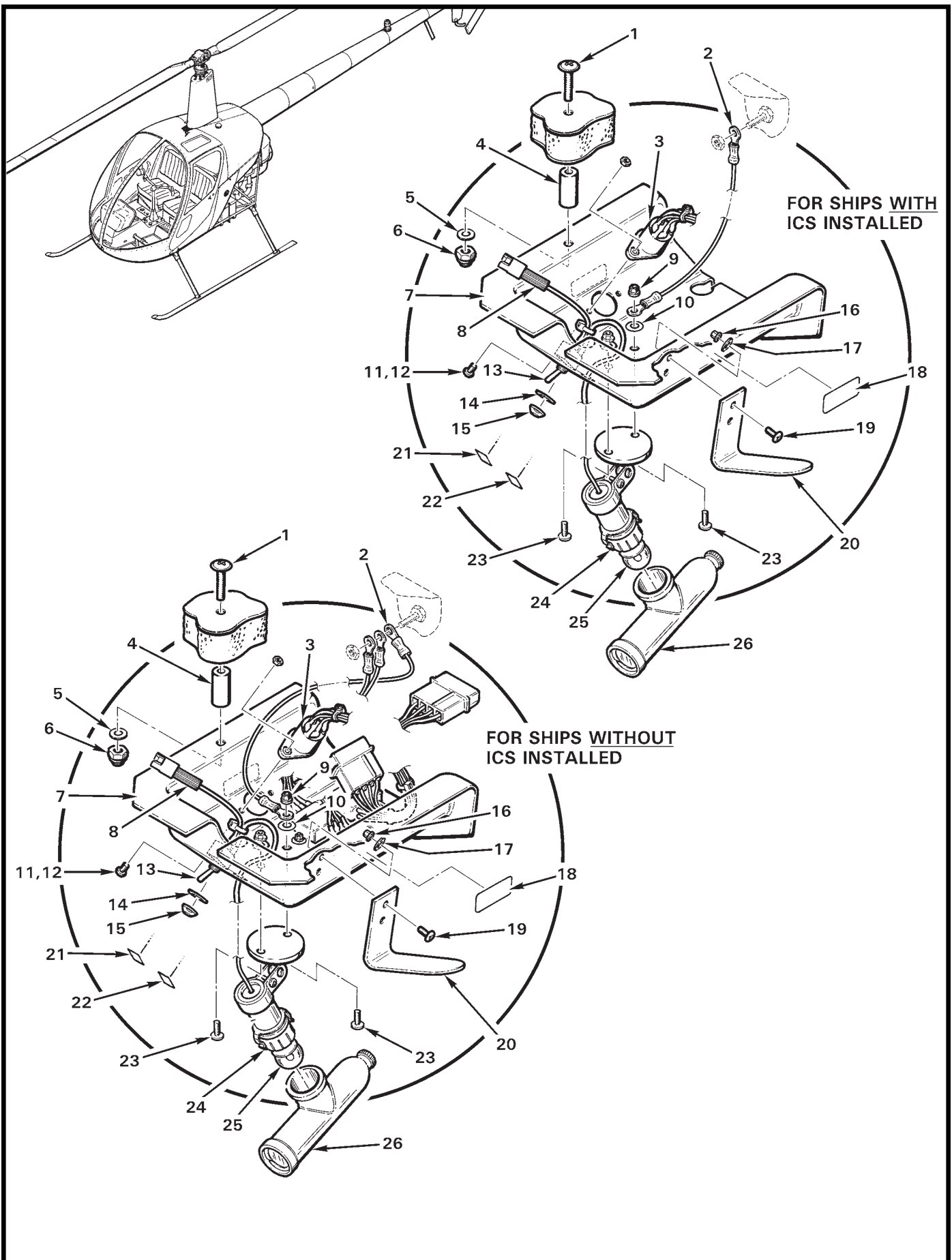


FIGURE AND INDEX NUMBER	PART NUMBER	DESCRIPTION	PARTS AVAIL	QTY PER ASSY
SPOTLIGHT INSTALLATION				
33-15-1	AN525-832R12	Screw	X	2
2	A039-120	Wire – Ground	X	1
3	TJ-120	Headset Jack (pilot and co-pilot)	X	2
4	A130-34	Spacer	X	2
5	NAS1149FN816P	Washer	X	2
6	B340-4	Nut	X	2
7	A712-1	Cover	X	1
8	B263-10	Housing (used with item 13)	X	1
	B263-1	Pin	X	1
9	MS21042L06	Nut	X	2
10	NAS1149FN616P	Washer	X	2
11	MS35206-215	Screw (seal threads using item 12)	X	4
12	B270-11	Adhesive	X	A/R
13	B300-1	Switch – Spotlight (Incl items 14 and 15)	X	1
14	B227-3	Lockwasher	X	1
15	B227-4	Dress Nut	X	1
16	MS21042L04	Nut	X	2
17	NAS1149FN416P	Washer	X	2
18	A654-16	Decal – “Headset”	X	1
19	MS35206-215	Screw	X	2
20	A752-1	Angle – Headset Holder	X	1
21	A654-15	Decal – “On”	X	1
22	A654-13	Decal – “Off”	X	1
23	MS35206-228	Screw	X	2
24	A1425A-2*	Spotlight (without bulb)	X	1
25	B196-2	Lamp	X	1
26	A039-14	Spotlight Assembly (Standard Audio. Includes items 2, 7 thru 13, 16, 17, 20, 23, and 24.)	X	1

NOTES * Grimes part no.

Intentionally Blank