
CHAPTER 95
INSTRUMENT SYSTEM

<i>Figure</i>	<i>Title</i>	<i>Page</i>
95-1	Garmin G500H Console – Instruments	95.0
95-5	Garmin G500H Console – GDU 620 Display	95.4
95-7	Garmin G500H Console – GDU 700L TXi Display	95.6
95-9	Garmin G500H Console – GDU 1060 TXi Display	95.8
95-11	Garmin G500H Console – Pitot/Static Tubes	95.10
95-13	Garmin G500H Console – Components	95.12
95-17	Aspen PFD Installation	95.16
95-19	Aspen PFD Installation – Pitot/Static Tubes	95.18
95-21	Aspen PFD and MFD Installation	95.20
95-25	Aspen PFD and MFD Installation – Pitot/Static Tubes	95.24
95-27	Eight-Instrument Console – Upper Panel	95.26
95-31	Eight-Instrument Console – Lower Panel	95.30
95-33	Eight-Instrument Console – Components	95.32
95-35	Seven-Instrument Console – Upper Panel	95.34
95-39	Seven-Instrument Console – Lower Panel	95.38
95-43	Nine-Instrument Console Assembly	95.42
95-45	Compass Installation	95.44
95-47	Pitot/Static Tubes Installation	95.46
95-51	Heated Pitot Installation	95.50

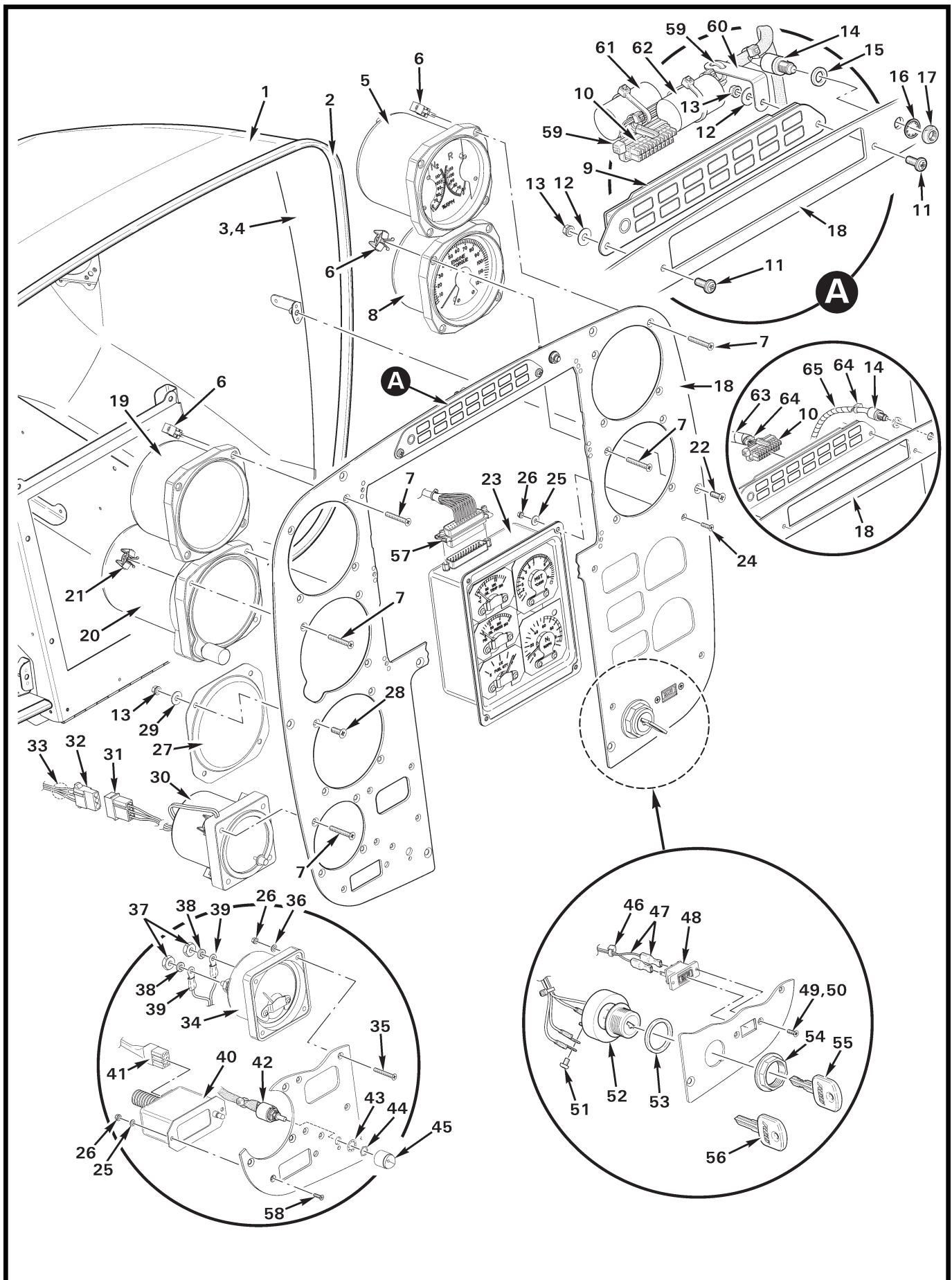


FIGURE AND INDEX NUMBER	PART NUMBER	DESCRIPTION	PARTS AVAIL	QTY PER ASSY
		GARMIN G500H CONSOLE – INSTRUMENTS		
95-1-1	G061	Shell Assembly (Ref)		
2	A226-11	Trim	X	A/R
3	G061-4	Liner (install using item 4)	X	1
4	B270-8qt	Adhesive	X	A/R
5	F792-1	Dual Tachometer	X	1
6	MS33737-15C	Nut	X	12
7	MS24693-S32	Screw	X	19
8	F600-2	Engine Torque Meter	X	1
9	G198-1	Panel – Annunciator	X	1
10	IPD1-10-D-P	Plug (Ref)		
11	MS35206-228	Screw	X	2
12	NAS1149FN616P	Washer	X	2
13	MS21042L06	Nut	X	A/R
14	B227-6	Switch Assembly (Incl items 15 thru 17)	X	1
15	94773A770	Washer	X	1
16	B227-3	Lockwasher	X	1
17	B227-4	Dress Nut	X	1
18	G065-1	Face Assembly (Ref)		
19	C599-2	Airspeed Indicator (140 knot $V_{NE'}$ KM/H; rev. N or later)	X	1
	C599-2R	Airspeed Indicator (140 knot $V_{NE'}$ KM/H; OH/EXCH)	X	A/R
	C599-1 *	Airspeed Indicator (130 knot $V_{NE'}$ KM/H; rev. N or later)	X	1
	C599-1R*	Airspeed Indicator (130 knot $V_{NE'}$ KM/H; OH/EXCH)	X	A/R
	C599-3	Airspeed Indicator (259 KM/H $V_{NE'}$ knots; optional, metric; rev. N or later)	X	1
	C599-3R	Airspeed Indicator (259 KM/H $V_{NE'}$ knots; optional, metric; OH/EXCH)	X	A/R
	C599-6	Airspeed Indicator (241 KM/H $V_{NE'}$ knots; optional, metric; rev. N or later)	X	1
	C599-6R	Airspeed Indicator (241 KM/H $V_{NE'}$ knots; optional, metric; OH/EXCH)	X	A/R
	C599-7**	Airspeed Indicator (120 knot $V_{NE'}$ KM/H; rev. N or later)	X	1
	C599-7R**	Airspeed Indicator (120 knot $V_{NE'}$ KM/H; OH/EXCH)	X	A/R
20	A613-1	Altimeter	X	1
21	MS33737-13C	Nut	X	3
22	MS24694-S4	Screw	X	8
23	G144-6	Instrument Cluster	X	1

NOTES * Police Helicopter; Float equipped helicopter.
 ** Electronic News Gathering (E.N.G.) Helicopter.

Continues

FIGURE AND INDEX NUMBER	PART NUMBER	DESCRIPTION	PARTS AVAIL	QTY PER ASSY
GARMIN G500H CONSOLE – INSTRUMENTS (Cont'd)				
95-1-24	MS24693-S5	Screw	X	4
25	NAS1149FN432P	Washer	X	6
26	MS21042L04	Nut	X	10
27	B190-6	Cover	X	A/R
28	MS24693-S27	Screw	X	A/R
29	NAS1149FN616P	Washer	X	A/R
30	A072-13	Clock Assembly	X	1
31	B263-14	Housing	X	1
	B263-1	Pin	X	3
32	B263-15	Housing	X	1
	B263-2	Socket	X	3
33	G717-133	Wire (Ref)		
	G717-134	Wire (Ref)		
	G717-137	Wire (Ref)		
34	G143-2	Ammeter (Incl item 37)	X	1
35	MS24693-S8	Screw	X	4
36	NAS620-4L	Washer	X	4
37	—	Nut	X	2
38	B332-42	Lockwasher	X	2
39	B260-3	Terminal	X	A/R
	G717-2312	Wire (Ref)		
	G717-2313	Wire (Ref)		
40	B341-1	Gage (OAT)	X	1
41	B341-4	Probe Assembly (OAT)	X	1
42	B398-1	Potentiometer (Ref)		
43	—	Lockwasher	O	1
44	—	Nut	O	1
45	MS91528-0C1B	Knob	X	1
46	MS3367-5-0	Ty-Rap	X	A/R
47	B262-1	Receptacle	X	2
	G717-2058	Wire (Ref)		
	G717-2275	Wire (Ref)		
48	G198-3	Indicator	X	1
49	MS24693-S4	Screw (install using item 50)	X	2
50	B270-20	Adhesive	X	A/R

NOTES

Continues

FIGURE AND INDEX NUMBER	PART NUMBER	DESCRIPTION	PARTS AVAIL	QTY PER ASSY
GARMIN G500H CONSOLE – INSTRUMENTS (Cont'd)				
95-1-51	—	Screw (#8)	O	3
52	F661-2	Switch (Incl item 51 and 54)	X	1
53	C130-60	Spacer	X	1
54	—	Nut	O	1
55	R8096	Key – Duplicate (Specify ship S/N and “PK” numbers when ordering.)	X	1
56	D768-8	Key (blank; black plastic-coated “R66” Logo)	X	1
57	B269-12	Receptacle	X	1
58	MS24693-S4	Screw	X	2
59	MS3367-4-9	Ty-Rap	X	2
60	B181-12	Support	X	1
61	G655-2	Time Delay – Fuel Filter	X	1
62	G655-1	Time Delay – Low Fuel	X	1
63	B161-4*	Spirap	X	A/R
64	MS3367-4-9*	Ty-Rap	X	4
65	B161-2*	Spirap	X	A/R

NOTES * See R66 SB-15 for earlier aircraft.

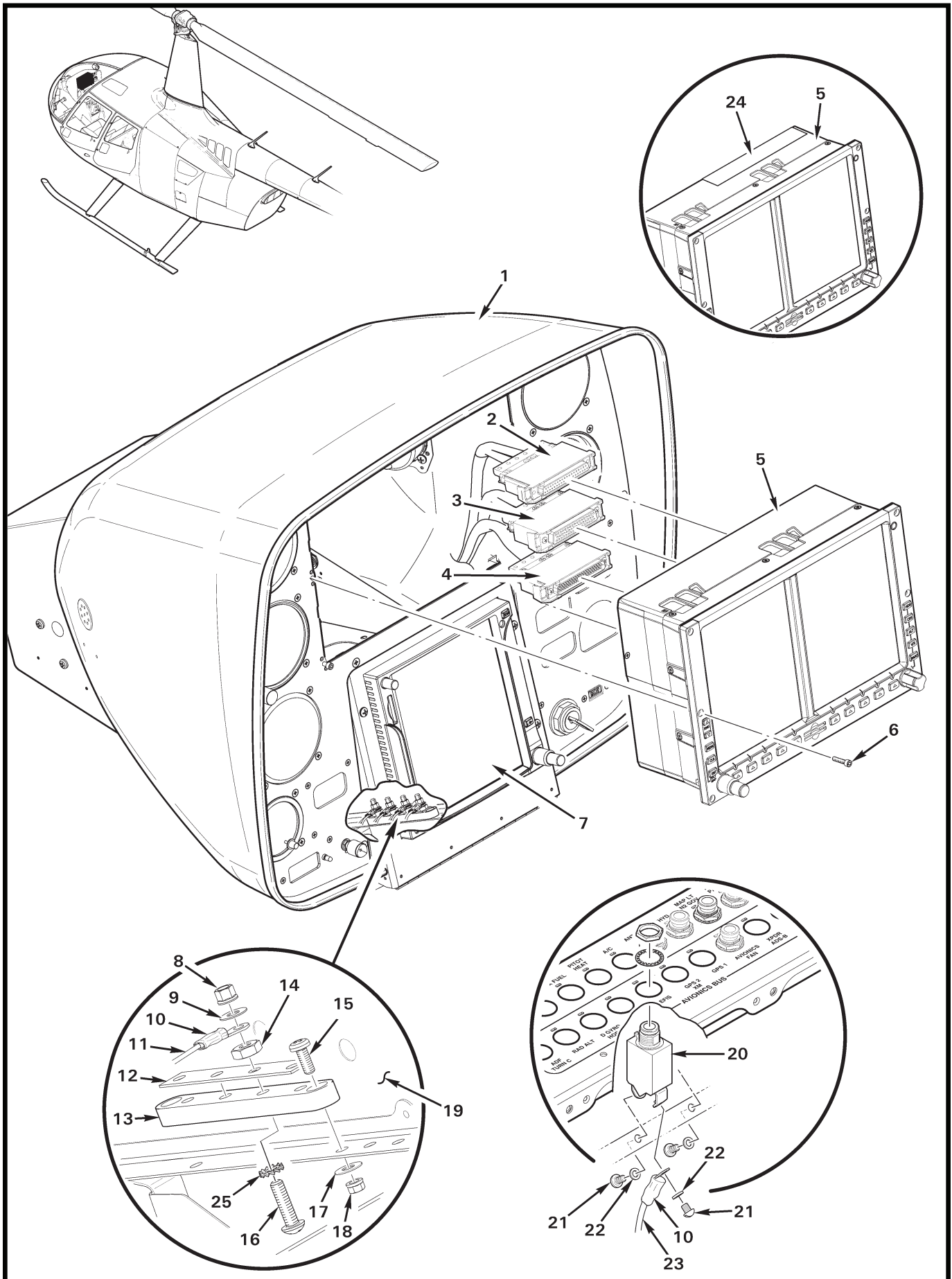


FIGURE AND INDEX NUMBER	PART NUMBER	DESCRIPTION	PARTS AVAIL	QTY PER ASSY
GARMIN G500H CONSOLE – GDU 620 DISPLAY				
95-5-1	G060	Console Assembly (Ref)		
2	—	Connector (Ref)		
3	—	Connector (Ref)		
4	—	Connector (Ref)		
5	GDU 620*	Display (PFD and MFD; includes items 2 thru 4, and 6)	X	1
6	211-64307-14*	Screw	O	6
7	GTN 700*	GPS Navigator Display (Ref, or GTN 600-series display [not shown]. See Figure 97-1 for installation.)		
8	MS21042L08	Nut	X	1
9	NAS1149FN816P	Washer	X	1
10	-2564	Wire (ground, Ref)		
11	B260-2	Terminal	X	1
12	A448-10	Bus Bar (4 holes)	X	1
13	C448-5	Block (4 holes)	X	1
14	B301-8	Nut	X	1
15	MS35206-228	Screw	X	2
16	B567-43	Screw	X	1
17	NAS1149FN616P	Washer	X	2
18	MS21042L06	Nut	X	2
19	F033	Lower Console Assembly (Ref)		
20	B297-5	Circuit Breaker (5 amp, includes items 21 and 22)	X	1
21	—	Screw	O	2
22	—	Washer	O	2
23	-2563	Wire (power, Ref)		
24	A701-5	Tape (earlier ships; see R66 SB-15)	X	A/R
25	91120A130	Washer	X	1

NOTES * Garmin part no.

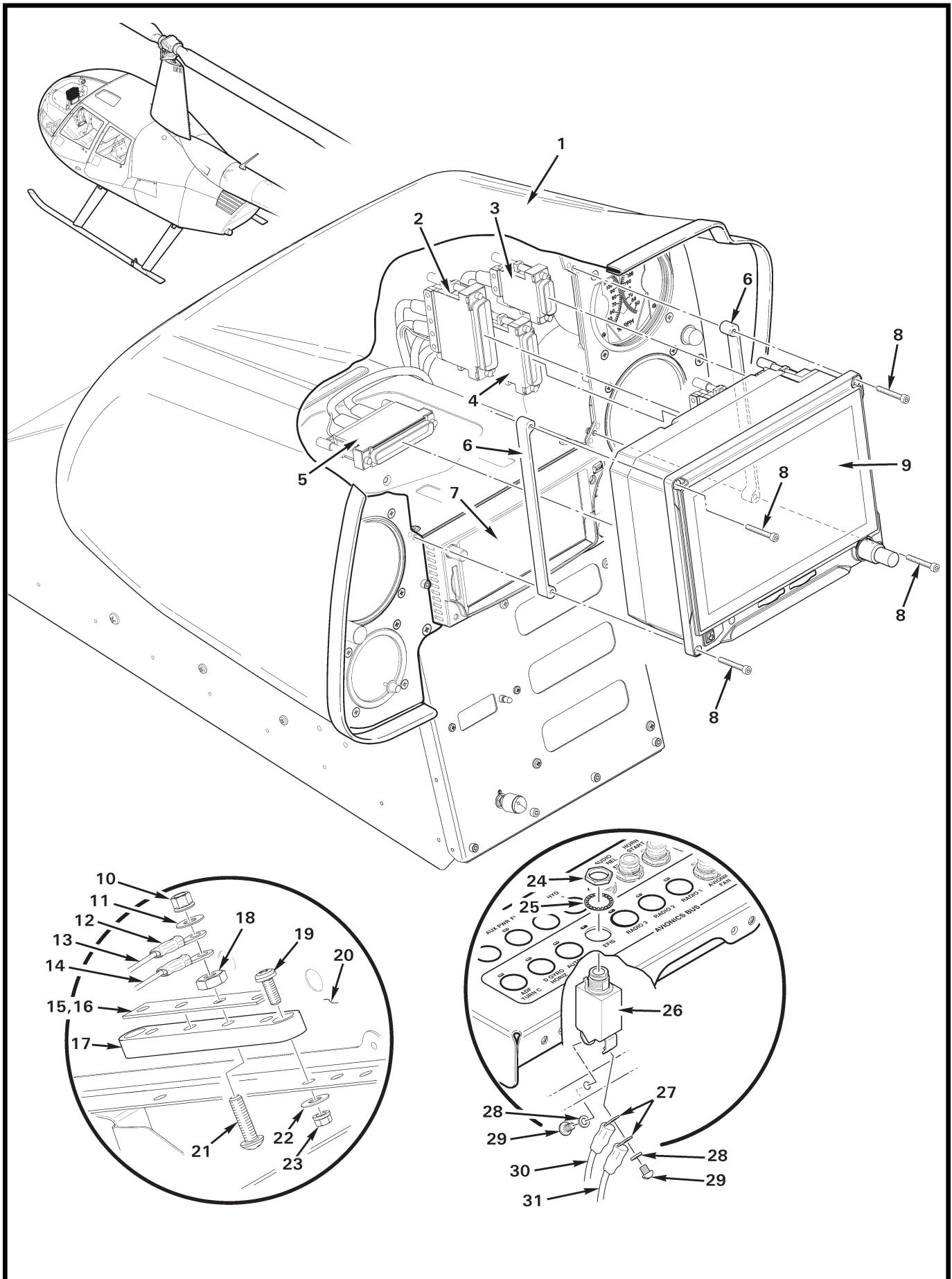


FIGURE AND INDEX NUMBER	PART NUMBER	DESCRIPTION	PARTS AVAIL	QTY PER ASSY
		GARMIN G500H CONSOLE – GDU 700L TXi DISPLAY		
95-7-1	G070	Console Assembly (Ref)		
2	—	Connector (Ref; “J4”)		
3	—	Connector (Ref; “J1”)		
4	—	Connector (Ref; “J2”)		
5	—	Connector (Ref; “J3”)		
6	A356-14	Spacer	X	2
7	GTN 625*	GPS (Ref; See Figure 97-1 for installation.)		
	GTN 635*	GPS/COM (Ref; See Figure 97-1 for installation.)		
	GTN 650*	GPS/NAV/COM (Ref; See Figure 97-1 for installation.)		
8	211-64307-14*	Screw (or NAS1352-06-16)	O	4
9	GDU 700L TXi*	Display (PFD and MFD; includes items 2 thru 6)	X	1
10	MS21042L08	Nut	X	1
11	NAS1149FN816P	Washer	X	1
12	B260-3	Terminal	X	1
13	-2564	Wire (Ref;ground, GDU 700L TXi display)		
14	-2589	Wire (Ref;ground, GSU 75 ADAHRS)		
15	C448-2	Terminal Block Assembly (Incl items 16 thru 18, and 21)	X	1
16	A448-10	Bus Bar (4 holes)	X	1
17	C448-5	Block (4 holes)	X	1
18	B301-8	Nut	X	1
19	MS35206-228	Screw	X	2
20	F033	Lower Console Assembly (Ref)		
21	B567-43	Screw (B270-9 adhesive under screw head)	X	1
22	NAS1149FN616P	Washer	X	2
23	MS21042L06	Nut	X	2
24	—	Nut	O	1
25	—	Washer	O	2
26	B297-5	Circuit Breaker (5 amp, includes items 24, 25,28 and 29)	X	1
27	B260-2	Terminal	X	2
28	—	Washer	O	2
29	—	Screw	O	2
30	-2563	Wire (Ref; power, GDU 700L TXi display)		
31	-2695	Wire (Ref; power, GSU 75 ADAHRS)		

NOTES * Garmin part no.

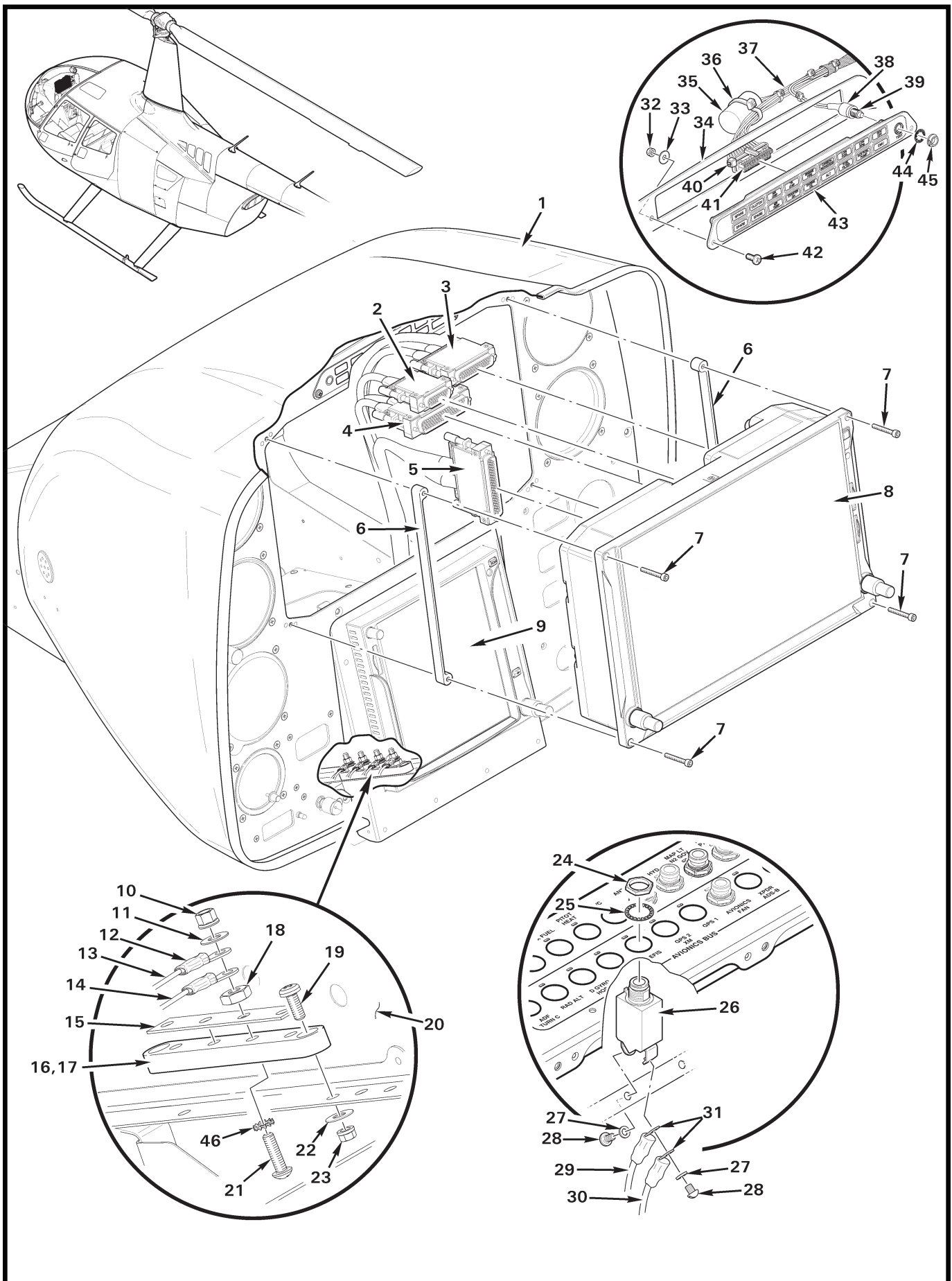


FIGURE AND INDEX NUMBER	PART NUMBER	DESCRIPTION	PARTS AVAIL	QTY PER ASSY
		GARMIN G500H CONSOLE – GDU 1060 TXi DISPLAY		
95-9-1	G060	Console Assembly (Ref)		
2	—	Connector (Ref; “J1”)		
3	—	Connector (Ref; “J2”)		
4	—	Connector (Ref; “J4”)		
5	—	Connector (Ref; “J3”)		
6	A356-15	Spacer	X	1
7	211-64307-14*	Screw (or NAS1352-06-16)	O	4
8	GDU 1060 TXi*	Display (PFD and MFD; includes items 2 thru 5, and 7)	X	1
9	GTN 750Xi*	GPS/NAV/COM (Ref; See Figure 97-1 for installation.)		
	GTN 725Xi*	GPS (Ref; See Figure 97-1 for installation. Not shown.)		
	GTN 650Xi*	GPS/NAV/COM – Single (Ref; See Figure 97-1 for installation. Not shown.)		
	GTN 635Xi*	GPS/COM – Single (Ref; See Figure 97-1 for installation. Not shown.)		
	GTN 625Xi*	GPS (Ref; See Figure 97-1 for installation. Not shown.)		
10	MS21042L08	Nut	X	1
11	NAS1149FN816P	Washer	X	1
12	B260-3	Terminal	X	1
13	-2564	Wire (Ref;ground, GDU 1060 TXi display)		
14	-2589	Wire (Ref;ground, GSU 75 ADAHRS)		
15	A448-10	Bus Bar (4 holes)	X	1
16	C448-2	Terminal Block (4 holes; incl items 15,17, 18, 21 and 46) . . .	X	1
17	C448-5	Block (4 holes)	X	1
18	B301-8	Nut	X	4
19	MS35206-228	Screw	X	2
20	F033	Lower Console Assembly (Ref)		
21	B567-43	Screw	X	4
22	NAS1149FN616P	Washer	X	2
23	MS21042L06	Nut	X	2
24	—	Nut	O	1
25	—	Washer	O	2
26	B297-5	Circuit Breaker (5 amp, includes items 24, 25, 27 and 28) . . .	X	1
27	—	Lockwasher	O	2
28	—	Screw (6-32 x 3/16 or 1/4 inch as required)	O	2
29	-2563	Wire (Ref; power, GDU 1060 TXi display)		

NOTES * Garmin part no.

Continues

FIGURE AND INDEX NUMBER	PART NUMBER	DESCRIPTION	PARTS AVAIL	QTY PER ASSY
		GARMIN G500H CONSOLE – GDU 1060 TXi DISPLAY (Cont'd)		
95-9-30	-2695	Wire (Ref; power, GSU 75 ADAHRS)		
31	B260-2	Terminal	X	2
32	MS21042L06	Nut	X	2
33	NAS1149FN616P	Washer	X	2
34	G065	Face Assembly (Ref)		
35	G655-2	Time Delay Assembly – Fuel Filter	X	1
36	MS3367-5-0	Ty-Rap	X	1
37	G717-04	Harness Assembly – Console (Ref)		
38	B158-6	Heat Shrink	X	A/R
39	B227-6	Switch Assembly (Incl items 44 and 45)	X	1
40	MS3367-4-9	Ty-Rap	X	2
41	IPD1-12-D-P	Plug	X	1
	CC79L-2024-01-F	Socket	X	20
42	MS35206-228	Screw	X	2
43	G198-6	Panel – Annunciator (standard)	X	1
	G198-7	Panel – Annunciator (lithium battery installed, not shown)	X	1
44	B227-3	Lockwasher	X	1
45	B227-4	Dress Nut	X	1
46	91120A130	Washer	X	4

NOTES

Intentionally Blank



FIGURE AND INDEX NUMBER	PART NUMBER	DESCRIPTION	PARTS AVAIL	QTY PER ASSY
GARMIN G500H CONSOLE – PITOT/STATIC TUBES				
95-11-1	G060	Console Assembly (Ref)		
2	C599	Airspeed Indicator (Ref)		
3	10-4-2-N-0	Fitting	X	2
4	A729-27	Tube	X	1
5	A729-23	Tube	X	2
6	50-4-N-0	Elbow	X	1
7	A613-1	Altimeter (Ref)		
8	A729-70	Tube	X	1
9	60-4-2-N-0	Tee	X	1
10	15-4-N-0	Union	X	2
11	A729-28	Tube	X	2
NOTES				

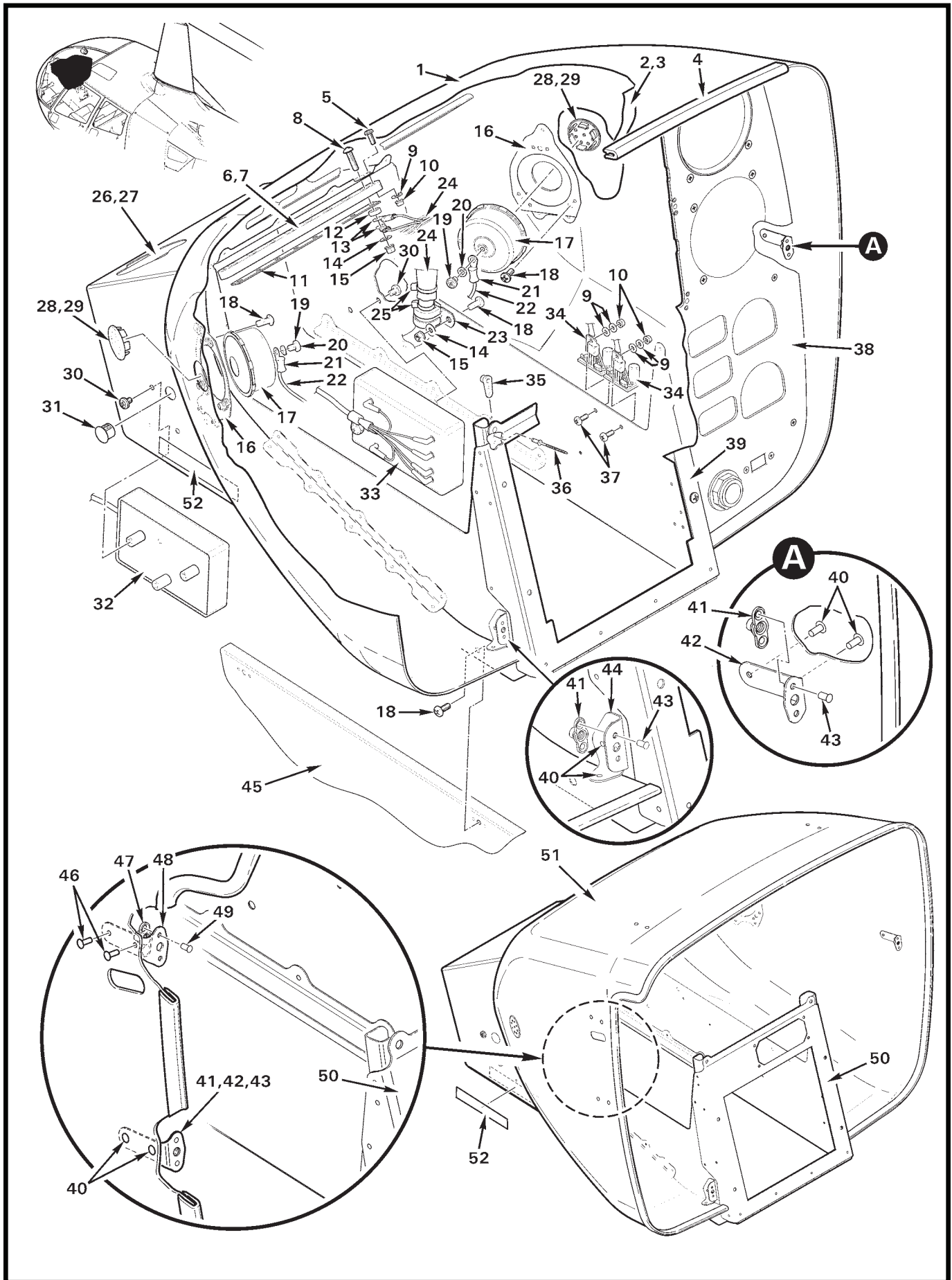


FIGURE AND INDEX NUMBER	PART NUMBER	DESCRIPTION	PARTS AVAIL	QTY PER ASSY
		GARMIN G500H CONSOLE – COMPONENTS		
95-13-1	G061-1	Shell Assembly (Garmin GTN 600-series GPS installed. Includes items 2 thru 4, 16, 28, 29, 35, 36, and 39 thru 44.)	X	1
	G061-2	Shell Assembly (Garmin GTN 600-series GPS installed. Includes items 2 thru 4, 16, 28, 29, 35, 36, and 39 thru 44.)	X	1
	G061-3	Shell Assembly (Garmin GTN 700-series GPS installed. Includes items 2 thru 4, 16, 28, 29, 35, 36, and 39 thru 44.)	X	1
2	G061-4	Liner (vinyl, install using item 3)	X	1
3	B270-8qt	Adhesive	X	A/R
4	A226-11	Trim	X	A/R
5	MS53206-228	Screw	X	2
6	C448-3	Block Assembly (Incl items 7, 8, 11, and 12)	X	1
7	C448-6	Block	X	1
8	B567-43	Screw (install using B270-9 adhesive)	X	8
9	NAS620-6	Washer	X	6
10	MS21042L06	Nut	X	4
11	A448-14	Bus Bar (8 holes)	X	1
12	B301-8	Nut	X	8
13	B260-2	Terminal	X	18
14	NAS1149FN816P	Washer	X	9
15	MS21042L08	Nut	X	9
16	C479-1	Mount Assembly (Ref)		
17	B320-3	Horn Assembly (includes items 19 thru 22, and 1-pin connector)	X	2
18	MS27039C0806	Screw	X	11
19	MS35206-241	Screw	X	1
20	B332-42	Lock Washer	X	1
21	B260-3	Terminal	X	2
22	B320-79	Wire (Ref)		
23	MS21919WDG_	Clamp (clamp size as required to prevent play in wire harness installation)	X	1
24	G717-01	Wire Harness Assembly (Ref; includes items 13, 25, and 34)		
25	MS3367-5-9	Ty-Rap	X	A/R
26	A226-3	Seal (install using item 27)	X	A/R
27	B270-13	Sealant	X	A/R
28	9688K643	Hole Plug (install using item 29)	X	2
29	B270-18	Adhesive	X	A/R

NOTES

Continues

FIGURE AND INDEX NUMBER	PART NUMBER	DESCRIPTION	PARTS AVAIL	QTY PER ASSY
GARMIN G500H CONSOLE – COMPONENTS (Cont’d)				
95-13-30	MS35206-241	Screw	X	6
31	2633	Hole Plug	X	1
32	A569-11	Low RPM Warning Unit (includes connector)	X	1
33	B395-1	Dimmer Assembly (includes connector)	X	1
34	D359-1	Regulator Assembly	X	2
35	MS21071L08	Nutplate	X	2
36	MS20605R3W2	Rivet (blind)	X	4
37	MS35206-228	Screw	X	2
38	G065	Face Assembly (Ref)		
39	G064	Face Assembly (Ref)		
40	MS20470AD3	Rivet	X	16
41	MS21069L08	Nutplate	X	6
42	B181-6	Angle	X	4
43	NAS1097AD3	Rivet	X	12
44	B181-11	Angle (RH, install using item 40 [4])	X	1
	B181-10	Angle (LH, install using item 40 [4], not shown)	X	1
45	F033	Lower Console Assembly (Ref)		
46	MS20470AD3	Rivet	X	2
47	MS21069L08	Nutplate	X	1
48	B181-6	Angle	X	1
49	NAS1097AD3	Rivet	X	2
50	G064-7	Face Assembly (Ref)		
51	G061-5	Shell Assembly (Police Helicopter. Technisonic TDFM-9000 transceiver installed. Includes items 2 thru 4, 16, 28, 29, 35, 36, 39 thru 44, and 46 thru 50.)	X	1
52	G682-25	Decal – “BEFORE LIFTING CONSOLE...”	X	1

NOTES

Intentionally Blank

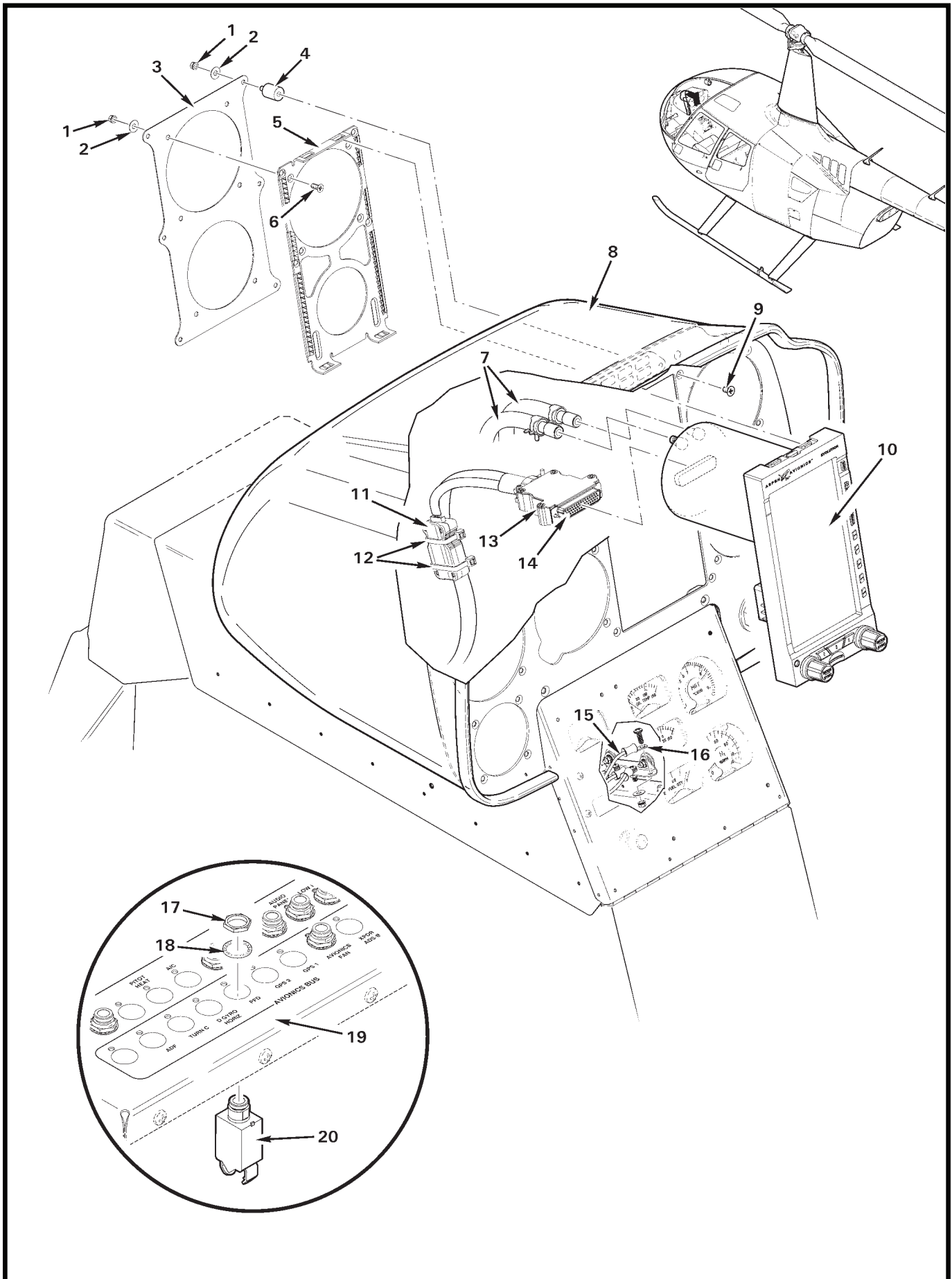


FIGURE AND INDEX NUMBER	PART NUMBER	DESCRIPTION	PARTS AVAIL	QTY PER ASSY
ASPEN PFD INSTALLATION				
95-17-1	MS21042L06	Nut	X	12
2	NAS1149FN616P	Washer	X	12
3	C801-1	Panel	X	1
4	248-00002-001	Isolator	O	6
5	403-00003-001	Bracket	O	1
6	MS24693-S26	Screw	X	6
7	A729-48	Tube (Ref, see Figure 95-19)		
8	G050-8	Console Assembly (Ref)		
9	MS24693-S24	Screw	X	6
10	910-00001-104	Module (PFD, Aspen)	O	1
11	920-00004-117	Module	O	1
12	MS3367-4-9	Ty-Rap	X	2
13	116-00026-006	Backshell	O	1
14	116-00022-002	Connector	O	1
15	-2557	Wire (Ref; ground)		
16	B260-3	Terminal	X	1
17	—	Nut	O	1
18	—	Lockwasher	O	1
19	F490	Circuit Breaker Panel (Ref)		
20	B297-7	Circuit Breaker (7.5 amp, includes items 17 and 18)	X	1

NOTES

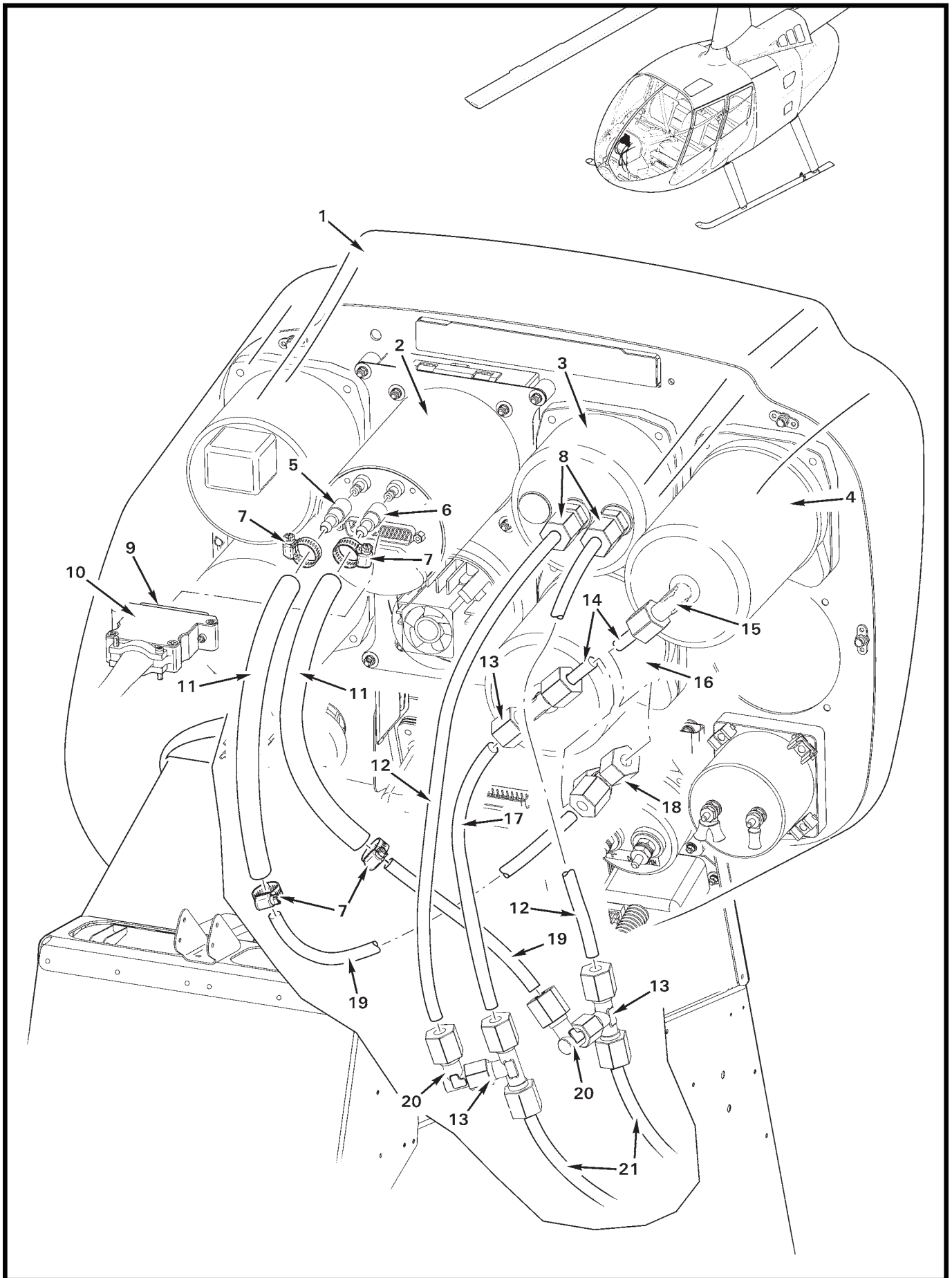


FIGURE AND INDEX NUMBER	PART NUMBER	DESCRIPTION	PARTS AVAIL	QTY PER ASSY
ASPEN PFD INSTALLATION – PITOT/STATIC TUBES				
95-19-1	G050-8	Console Assembly (Ref)		
2	910-00001-104	Module (PFD, Aspen)	O	1
3	C599	Airspeed Indicator (Ref)		
4	A602-1	Rate-of-Climb Indicator (Ref)		
5	275-00001-001	Coupler (static)	O	1
6	275-00001-002	Coupler (pitot)	O	1
7	271-00001-001	Clamp	O	4
8	10-4-2-N-0	Fitting	X	2
9	116-00022-002	Connector	O	1
10	116-00026-006	Backshell	O	1
11	A729-48	Tube	X	2
12	A729-23	Tube	X	2
13	60-4-2-N-0	Tee	X	3
14	A729-27	Tube	X	2
15	40-4-2-N-0	Elbow	X	1
16	A613	Altimeter (Ref, see Figure 95-1)		
17	A729-25	Tube	X	1
18	70-4-N-0	Tee	X	1
19	A729-52	Tube	X	1
20	45-4-2-N-0	Elbow	X	2
21	A729-28	Tube	X	2
NOTES				

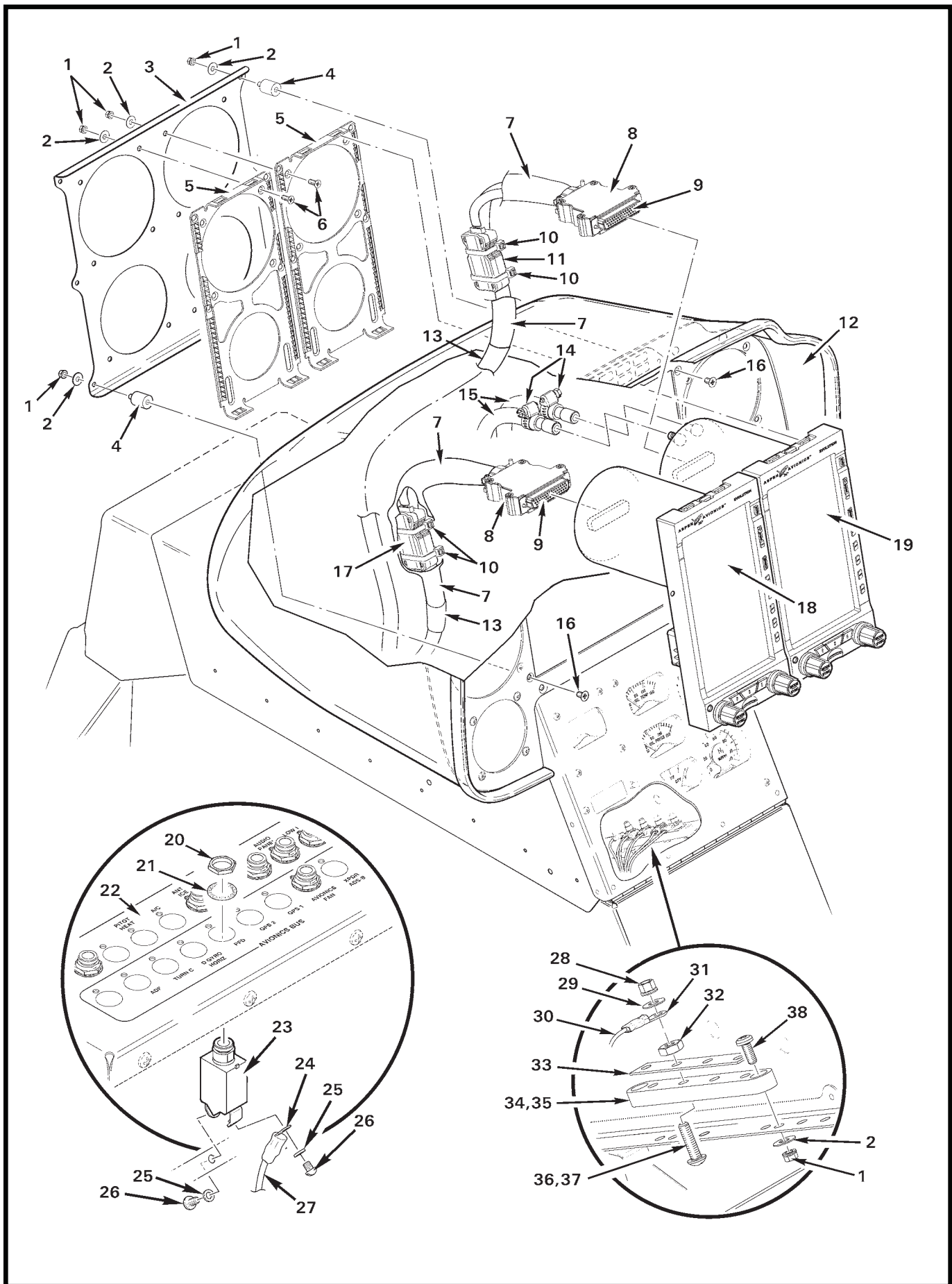


FIGURE AND INDEX NUMBER	PART NUMBER	DESCRIPTION	PARTS AVAIL	QTY PER ASSY
ASPEN PFD AND MFD INSTALLATION				
95-21-1	MS21042L06	Nut	X	18
2	NAS1149FN616P	Washer	X	18
3	C801-2	Plate	X	1
4	248-00002-001	Isolator	O	6
5	403-00003-001	Bracket	O	2
6	MS24693-S26	Screw	X	12
7	B274-607	Braid (tin-plated copper)	X	A/R
8	116-00026-006	Backshell	O	2
9	116-00022-002	Connector	O	2
10	MS3367-4-9	Ty-Rap	X	4
11	920-00004-117	Configuration Module	O	1
12	G050-8	Console Assembly (Ref)		
13	7861K46	Heat Shrink	O	2
14	271-00001-001	Clamp	O	4
15	A729-48	Tube (Ref, see Figure 95-25)		
16	MS24693-S24	Screw	X	6
17	920-00004-105	Configuration Module	O	1
18	910-00001-102	Module (MFD, Aspen)	O	1
19	910-00001-104	Module (PFD, Aspen)	O	1
20	—	Nut	O	1
21	—	Lockwasher	O	1
22	F490-1	Circuit Breaker Panel (Ref)		
23	B297-7	Circuit Breaker (7.5 amp, includes items 20, 21, 25, and 26) . .	X	1
24	B260-2	Terminal	X	1
25	—	Washer	O	2
26	—	Screw	O	2
27	-2555	Wire (Ref, power)		
28	MS21042L08	Nut	X	1
29	NAS1149FN816P	Washer	X	1
30	-2557	Wire (Ref; ground)		
31	B260-3	Terminal	X	1
32	B301-8	Nut	X	1
33	A448-10	Bus Bar (4 hole)	X	1
34	C448-2	Block Assembly (Incl items 32, 33, and 35 thru 37)	X	1
35	C448-5	Block	X	1

NOTES

Continues

FIGURE AND INDEX NUMBER	PART NUMBER	DESCRIPTION	PARTS AVAIL	QTY PER ASSY
ASPEN PFD/MFD INSTALLATION (Cont'd)				
95-21-36	B567-43	Screw (install using item 37)	X	1
37	B270-9	Adhesive	X	A/R
38	MS35206-228	Screw	X	2
NOTES				

Intentionally Blank

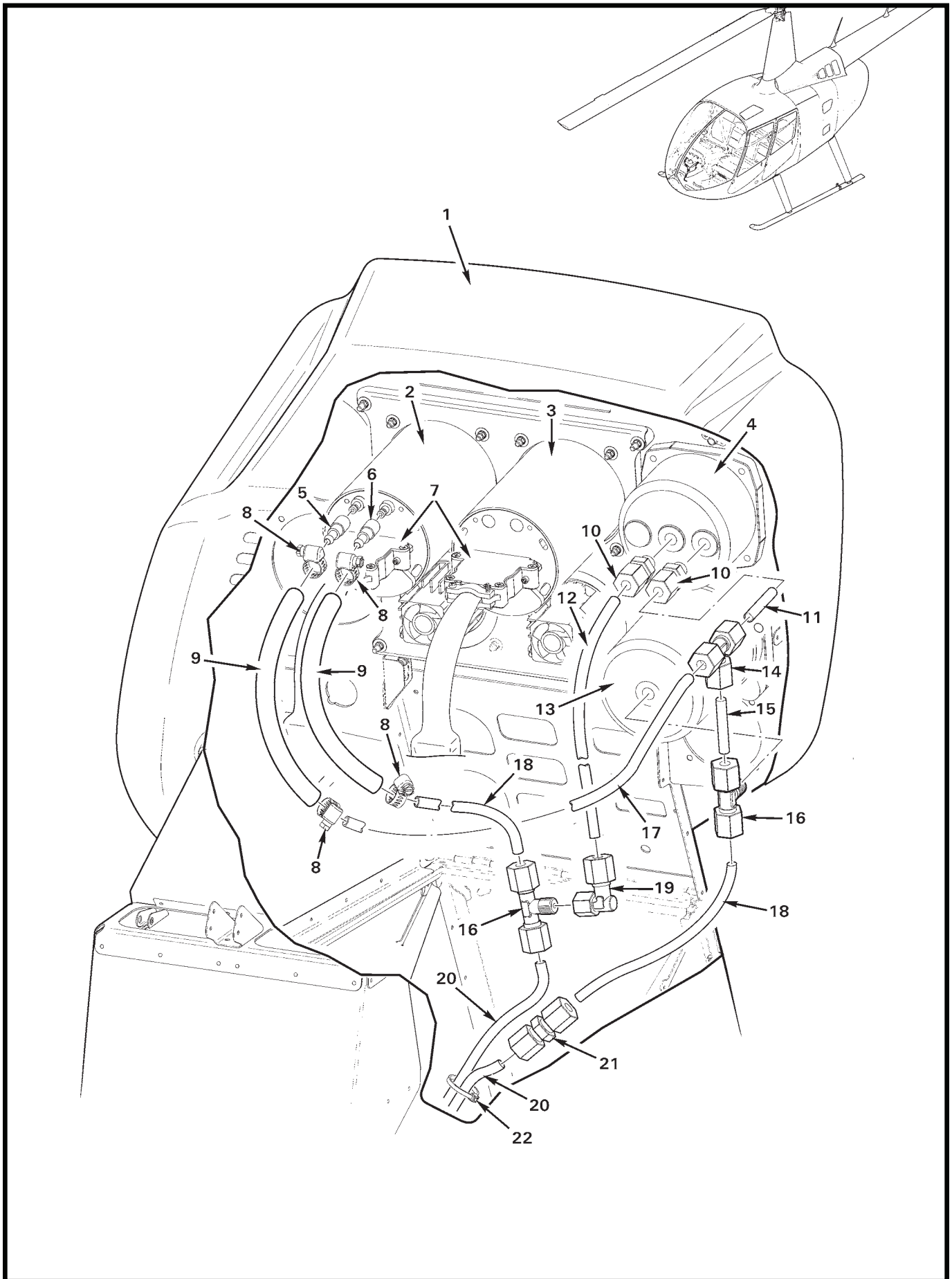


FIGURE AND INDEX NUMBER	PART NUMBER	DESCRIPTION	PARTS AVAIL	QTY PER ASSY
ASPEN PFD AND MFD INSTALLATION – PITOT/STATIC TUBES				
95-25-1	G050-8	Console Assembly (Ref)		
2	910-00001-104	Module (Ref; PFD, Aspen)		
3	910-00001-102	Module (Ref; MFD, Aspen)		
4	C599	Airspeed Indicator (Ref)		
5	275-00001-001	Coupler (static)	O	1
6	275-00001-002	Coupler (pitot)	O	1
7	116-00022-002	Connector (Ref)		
	116-00026-006	Backshell (Ref)		
8	271-00001-001	Clamp	O	4
9	A729-48	Tube	X	2
10	10-4-2-N-0	Fitting	X	2
11	A729-69	Tube	X	1
12	A729-23	Tube	X	1
13	A613-1	Altimeter (Ref, see Figure 95-27)		
14	70-4-N-0	Tee	X	1
15	A729-70	Tube	X	1
16	60-4-2-N-0	Tee	X	2
17	A729-25	Tube	X	1
18	A729-52	Tube	X	2
19	45-4-2-N-0	Elbow	X	1
20	A729-28	Tube (Ref)		
21	15-4-N-0	Union	X	1
22	MS3367-5-9	Ty-Rap	X	A/R

NOTES

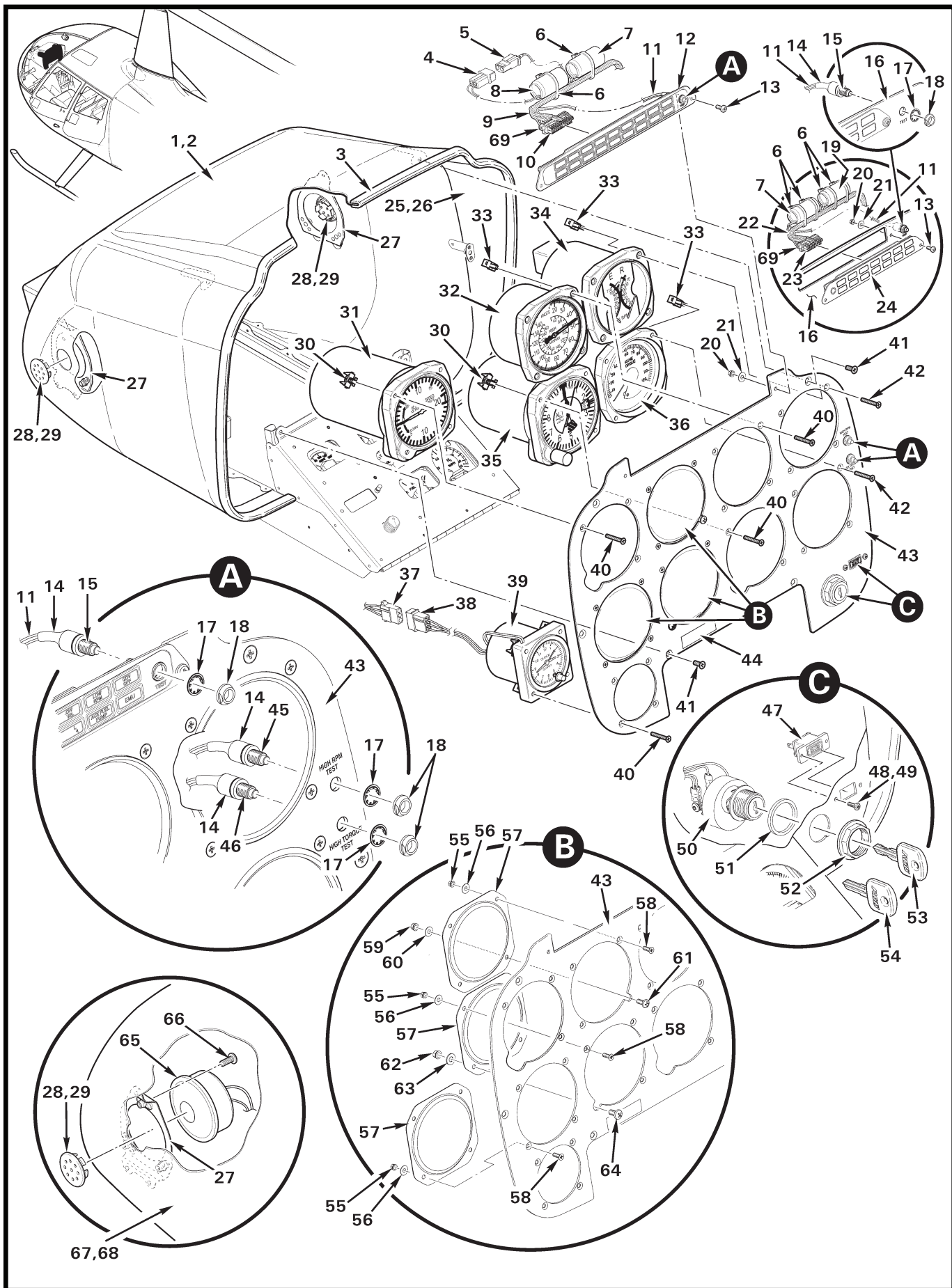


FIGURE AND INDEX NUMBER	PART NUMBER	DESCRIPTION	PARTS AVAIL	QTY PER ASSY
		EIGHT-INSTRUMENT CONSOLE – UPPER PANEL		
95-27-1	G050-22	Console Assembly – Low (Incl items 2, 9, 12, 13, 20, 21, 30 thru 36, 39 thru 44, 47, 48, 49, and 55 thru 64)	X	1
2	G051-23	Shell Assembly (Incl items 3, and 25 thru 29)	X	1
3	A226-11	Trim (retaining rib on inside)	X	A/R
4	B263-12	Housing	X	1
	B263-1	Pin	X	2
5	B263-13	Housing (Ref)		
	B263-2	Socket (Ref)		
6	MS3367-5-0	Ty-Rap	X	A/R
7	G655-2	Time Delay Assembly (fuel filter warning)	X	1
8	G655-4	Time Delay Assembly (12 gal. fuel warning; includes item 4)	X	1
9	G716-03	Harness Assembly – Console (Incl items 6, 7, 8, 11, 14, 15, 37, and 50)	X	1
10	IPD1-12-D-P	Plug	X	1
	CC79L-2024-01-F	Socket	X	20
11	G716-2005	Wire (Ref, to test switch)		
	G716-2029	Wire (Ref, to test switch)		
	G716-3066	Wire (Ref, to test switch)		
12	G198-6	Annunciator Panel	X	1
	G198-7	Annunciator Panel (lithium battery installed)	X	1
	G198-1*	Annunciator Panel (spares)	X	1
13	MS35206-228	Screw	X	2
14	B158-6	Heat Shrink	X	A/R
15	B227-6	Switch – Test (Incl items 17 and 18)	X	1
16	G055-6	Face	X	1
17	B227-3	Lockwasher	X	1
18	B227-4	Dress Nut	X	1
19	G655-1*	Time Delay Assembly (low fuel warning)	X	1
20	MS21042L06	Nut	X	2
21	NAS1149FN616P	Washer	X	2
22	G716-02*	Harness Assembly – Console (Ref)		
23	IPD1-10-D-P*	Plug	X	1
	CC79L-2024-01-F*	Socket	X	16
24	G198-1	Annunciator Panel	X	1
25	G051-10	Liner (install using item 26)	X	A/R
26	B270-8qt	Adhesive	X	A/R

NOTES * Earlier aircraft.

Continues

FIGURE AND INDEX NUMBER	PART NUMBER	DESCRIPTION	PARTS AVAIL	QTY PER ASSY
		EIGHT-INSTRUMENT CONSOLE – UPPER PANEL (Cont'd)		
95-27-27	C479-1	Mount Assembly (Ref)		
28	9688K643	Hole Plug (install using item 29 between plug and shell)	X	2
29	B270-18	Adhesive	X	A/R
30	MS33737-13C	Nut	X	6
31	A602-1	Rate-of-Climb Indicator	X	1
32	C599-2	Airspeed Indicator (140 knot V_{NE} , KM/H)	X	1
	C599-1	Airspeed Indicator (130 knot V_{NE} , KM/H; Police and ENG) . . .	X	1
	C599-3	Airspeed Indicator (259 KM/H V_{NE} knots; optional, metric) . .	X	1
	C599-6	Airspeed Indicator (241 KM/H V_{NE} knots; optional, metric) . .	X	1
33	MS33737-15C	Nut	X	12
34	F792-2	Dual Tachometer (with audio alert)	X	1
	F792-1*	Dual Tachometer (without audio alert; install using items 33 and 40)	X	1
35	A613-1	Altimeter	X	1
36	F600-3	Engine Torque Meter (with audio alert)	X	1
	F600-2*	Engine Torque Meter (without audio alert; install using items 33 and 40)	X	1
37	B263-15	Housing	X	1
	B263-2	Socket	X	3
38	B263-14	Housing	X	1
	B263-1	Pin	X	3
39	A072-13	Clock Assembly (Incl item 38)	X	1
40	MS24693-S32	Screw	X	22
41	MS24694-S4	Screw	X	6
42	MS24693-S29	Screw	X	8
43	G055-14	Face	X	1
44	A743-1	Call Letters Plate (specify call letters; install using A701-7) . .	X	A/R
45	B227-6	Switch Assembly – High RPM Test (Incl items 17 and 18) . . .	X	1
46	B227-6	Switch Assembly – High Torque Test (Incl items 17 and 18)	X	1
47	G198-3	Indicator (rotor brake)	X	1
48	MS24693-S4	Screw (install using item 49)	X	2
49	B270-20	Adhesive	X	A/R
50	F661-2	Switch – Ignition (Incl item 52)	X	1
51	C130-60	Spacer	X	1
52	—	Nut	O	1

NOTES * Earlier aircraft.

Continues

FIGURE AND INDEX NUMBER	PART NUMBER	DESCRIPTION	PARTS AVAIL	QTY PER ASSY
EIGHT-INSTRUMENT CONSOLE – UPPER PANEL (Cont'd)				
95-27-53	D768-8	Key (blank; black plastic-coated "R66" logo)	X	1
54	R8428	Key – Duplicate (specify ship S/N and "PK" numbers when ordering)	X	1
55	MS21042L06	Nut	X	A/R
56	NAS1149FN616P	Washer	X	A/R
57	B190-6	Cover	X	A/R
58	MS24693-S27	Screw	X	A/R
59	MS21042L08	Nut	X	A/R
60	NAS1149FN816P	Washer	X	A/R
61	MS27039C0806	Screw	X	A/R
62	D210-3	Nut	X	A/R
63	NAS1149F0332P	Washer	X	A/R
64	MS27039C1-06	Screw	X	A/R
65	B320-6*	Horn Assembly	X	2
	B320-3*	Horn Assembly	X	2
66	MS27039C0806	Screw	X	6
67	G050-8*	Console Assembly – Low (Ref)	X	1
68	G051-9*	Shell Assembly (Ref)	X	1
69	MS3367-4-9	Ty-Rap	X	2

NOTES * Earlier aircraft.

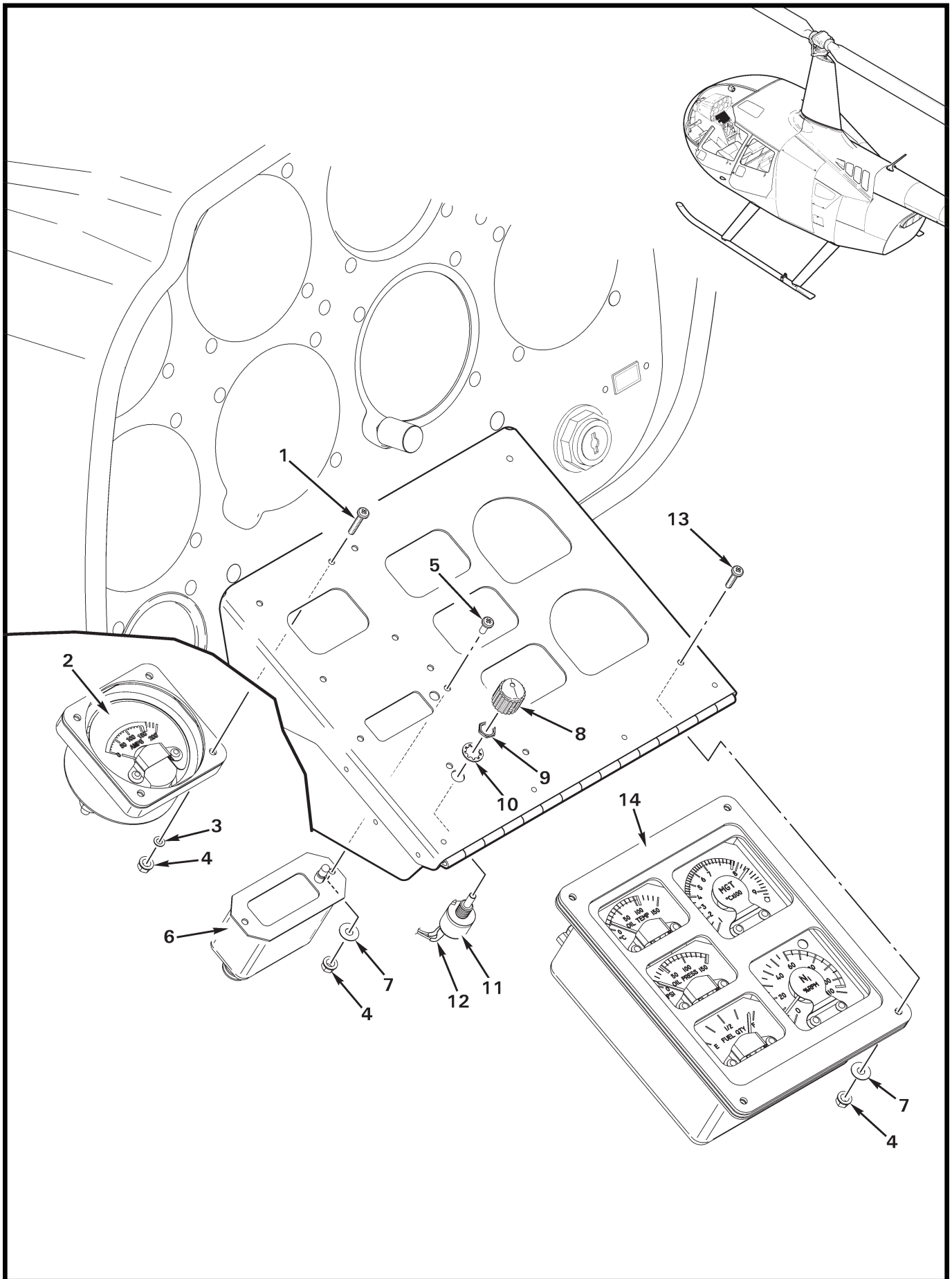


FIGURE AND INDEX NUMBER	PART NUMBER	DESCRIPTION	PARTS AVAIL	QTY PER ASSY
EIGHT-INSTRUMENT CONSOLE – LOWER PANEL				
95-31-1	MS35206-219	Screw	X	4
2	G143-2	Ammeter	X	1
3	NAS620-4L	Washer	X	4
4	MS21042L04	Nut	X	10
5	MS35206-214	Screw	X	2
6	B341-1	Gage – Outside Air Temperature	X	1
7	NAS1149FN432P	Washer	X	6
8	MS91528-0C1B	Knob	X	1
9	—	Nut	O	1
10	—	Lockwasher	O	1
11	B398-1	Potentiometer (Incl items 9 and 10)	X	1
12	B158-2	Heat Shrink	X	A/R
13	MS35206-217	Screw	X	4
14	G144-6	Instrument Cluster	X	1

NOTES

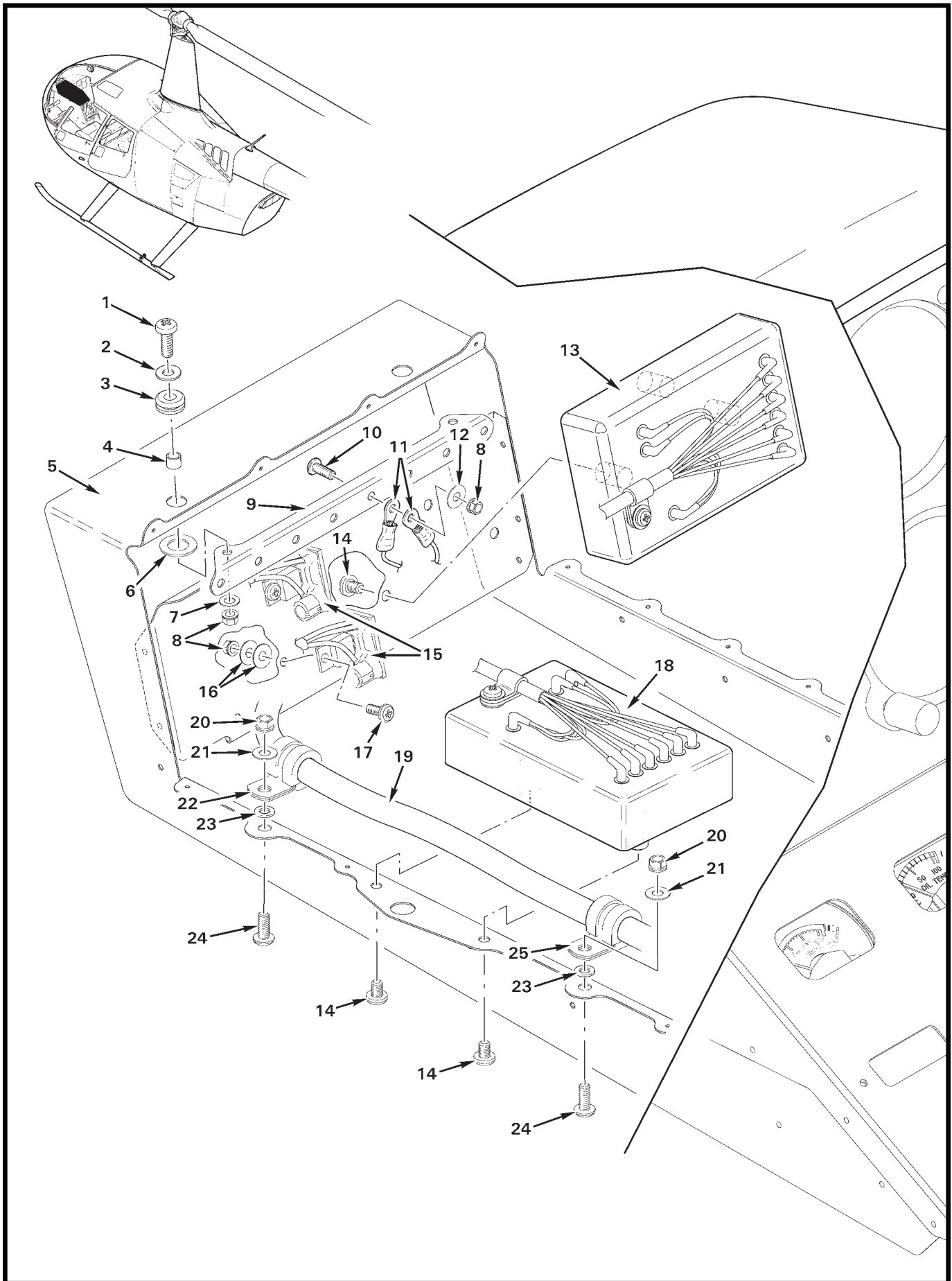


FIGURE AND INDEX NUMBER	PART NUMBER	DESCRIPTION	PARTS AVAIL	QTY PER ASSY
EIGHT-INSTRUMENT CONSOLE – COMPONENTS				
95-33-1	MS35206-230	Screw	X	2
2	NAS1149FN632P	Washer	X	2
3	MS35489-4	Grommet	X	2
4	C130-59	Spacer	X	2
5	G050-8	Console Assembly (Ref)		
6	NAS1149F0532P	Washer	X	2
7	NAS620-6L	Washer	X	2
8	MS21042L06	Nut	X	12
9	A448-18	Bus Bar (8-hole)	X	1
10	B567-25	Screw	X	8
11	B260-2	Terminal	X	20
12	NAS1149FN616P	Washer	X	8
13	B395-1	Dimmer Assembly (includes connector)	X	1
14	MS35206-241	Screw	X	8
15	D359-1	Voltage Regulator (Ref)	O	2
16	NAS620-6	Washer	X	4
17	MS35206-228	Screw	X	2
18	A569-11	Low RPM Warning Unit (includes connector)	X	1
19	G716-02	Console Harness Assembly (Ref; includes items 11 and 15)		
20	MS21042L08	Nut	X	2
21	NAS1149FN816P	Washer	X	2
22	MS21919WDG6	Clamp	X	1
23	NAS620-8	Washer	X	2
24	MS27039C0807	Screw	X	2
25	MS21919WDG7	Clamp	X	1

NOTES

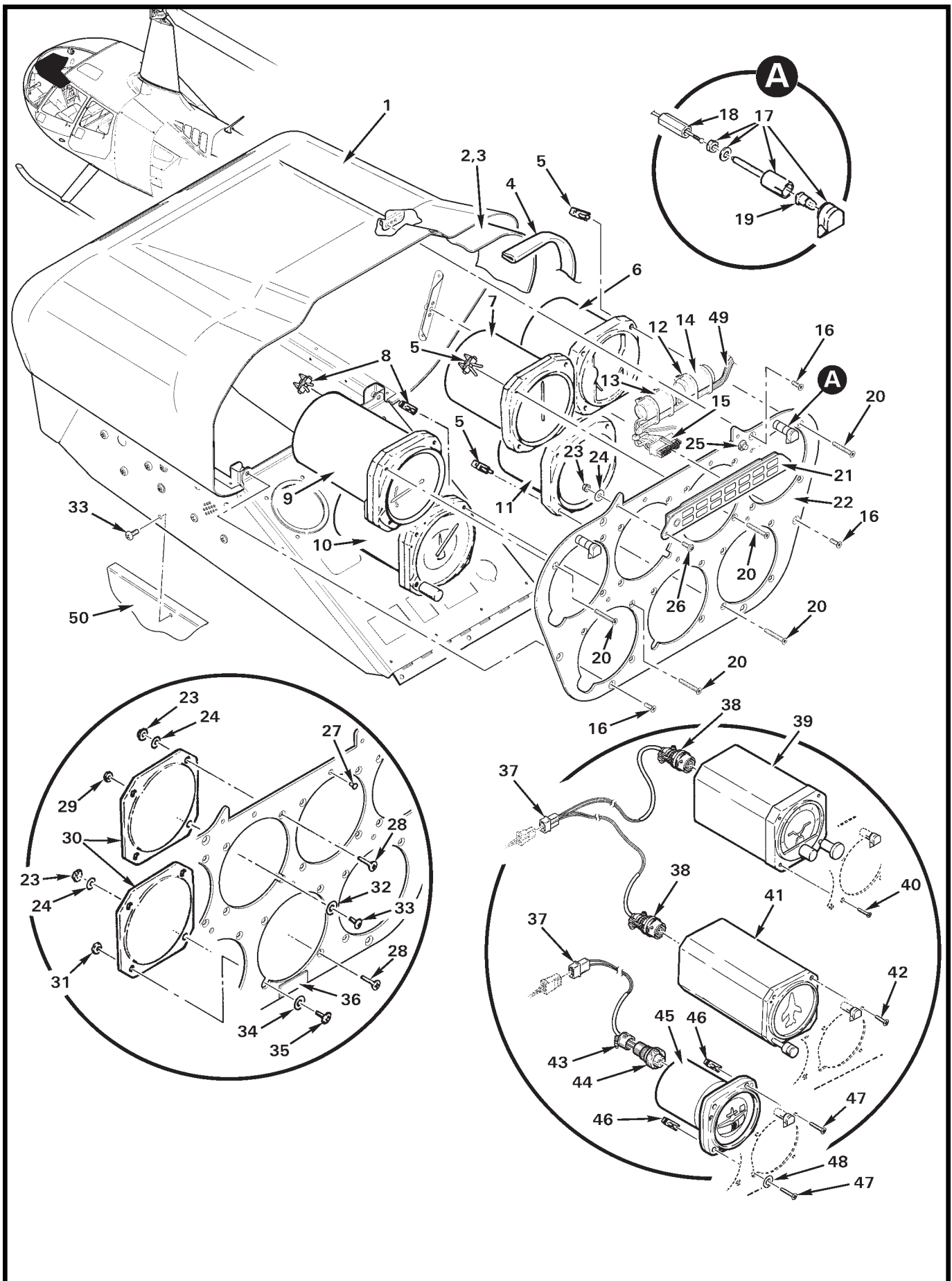


FIGURE AND INDEX NUMBER	PART NUMBER	DESCRIPTION	PARTS AVAIL	QTY PER ASSY
		SEVEN-INSTRUMENT CONSOLE – UPPER PANEL		
95-35-1	B051-18	Shell Assembly – Console (Incl items 2 thru 4)	X	1
2	B051-4	Visor Liner (install using item 3)	X	1
3	B270-8qt	Adhesive	X	A/R
4	A226-11	Trim	X	A/R
5	MS33737-15C	Nut	X	12
6	F792-1	Engine/Rotor Tachometer	X	1
7	C599-2	Airspeed Indicator (140 knot V_{NE} , KM/H)	X	1
	C599-1	Airspeed Indicator (130 knot V_{NE} , KM/H)	X	1
	C599-3	Airspeed Indicator (259 KM/H V_{NE} , knots; optional, metric) . .	X	1
	C599-6	Airspeed Indicator (241 KM/H V_{NE} , knots; optional, metric) . .	X	1
8	MS33737-13C	Nut	X	6
9	A602-1	Rate-of-Climb Indicator	X	1
10	A613-1	Altimeter (in.-Hg)	X	1
	A613-2	Altimeter (feet/Milibar, optional)	X	1
11	F600-2	Torque Meter	X	1
12	MS3367-4-9	Ty-Rap	X	A/R
13	G655-2	Time Delay Assembly (fuel filter warning)	X	1
14	G655-1	Time Delay Assembly (low fuel warning)	X	1
15	IPD1-10-D-P	Plug	X	1
	CC79L-2024-01-F	Socket	X	16
16	MS24694-S4	Screw	X	6
17	B195-11	Post Light (Incl item 19)	X	2
18	B195-9	Connector Nut	X	A/R
19	B196-21	Lamp (#327)	X	1
20	MS24693-S32	Screw	X	18
21	G198-1	Annunciator Panel	X	1
22	B197-6	Face	X	1
	B197-7	Face (with HSI, not shown)	X	1
23	MS21042L06	Nut	X	6
24	NAS1149FN616P	Washer	X	6
25	B227-6	Switch (test)	X	1
26	MS35206-228	Screw	X	2
27	2590	Hole Plug	X	5
28	MS24693-S27	Screw	X	6
29	MS21042L08	Nut	X	1

NOTES

Continues

FIGURE AND INDEX NUMBER	PART NUMBER	DESCRIPTION	PARTS AVAIL	QTY PER ASSY
SEVEN-INSTRUMENT CONSOLE – UPPER PANEL (Cont'd)				
95-35-30	B190-5	Cover – “R66” Logo	X	A/R
	B190-6	Cover (no logo)	X	A/R
31	MS21042L3	Nut	X	1
32	NAS1149FN816P	Washer	X	3
33	MS27039C0806	Screw	X	1
34	NAS1149F0332P	Washer	X	1
35	MS27039C1-06	Screw	X	1
36	A743-1	Call Letters Plate (specify call letters)	X	A/R
37	B263-12	Housing	X	1
	B263-1	Pin	X	2
38	MS3116F8-4S	Plug	X	1
39	B823-10	Attitude Indicator	O	1
	B823-12	Attitude Indicator with Inclinator	X	1
40	MS24693-S30	Screw	X	3
41	B823-11	Directional Gyro	X	1
42	MS24693-S28	Screw	X	1
43	MS3057-4A	Strain Relief	X	1
44	MS3106A-10SL-3S	Plug	X	1
45	B329-1	Turn Coordinator	X	1
46	MS33737-12C	Nut	X	4
47	MS24693-S32	Screw	X	4
48	AS42193-2-017-24A	Washer (countersunk, required for enlarged hole)	X	1
49	G716-01	Harness Assembly (Ref; includes items 12, 13, 15, and 18. No longer available.)	O	1
50	F033	Lower Console Assembly (Ref)		

NOTES

Intentionally Blank

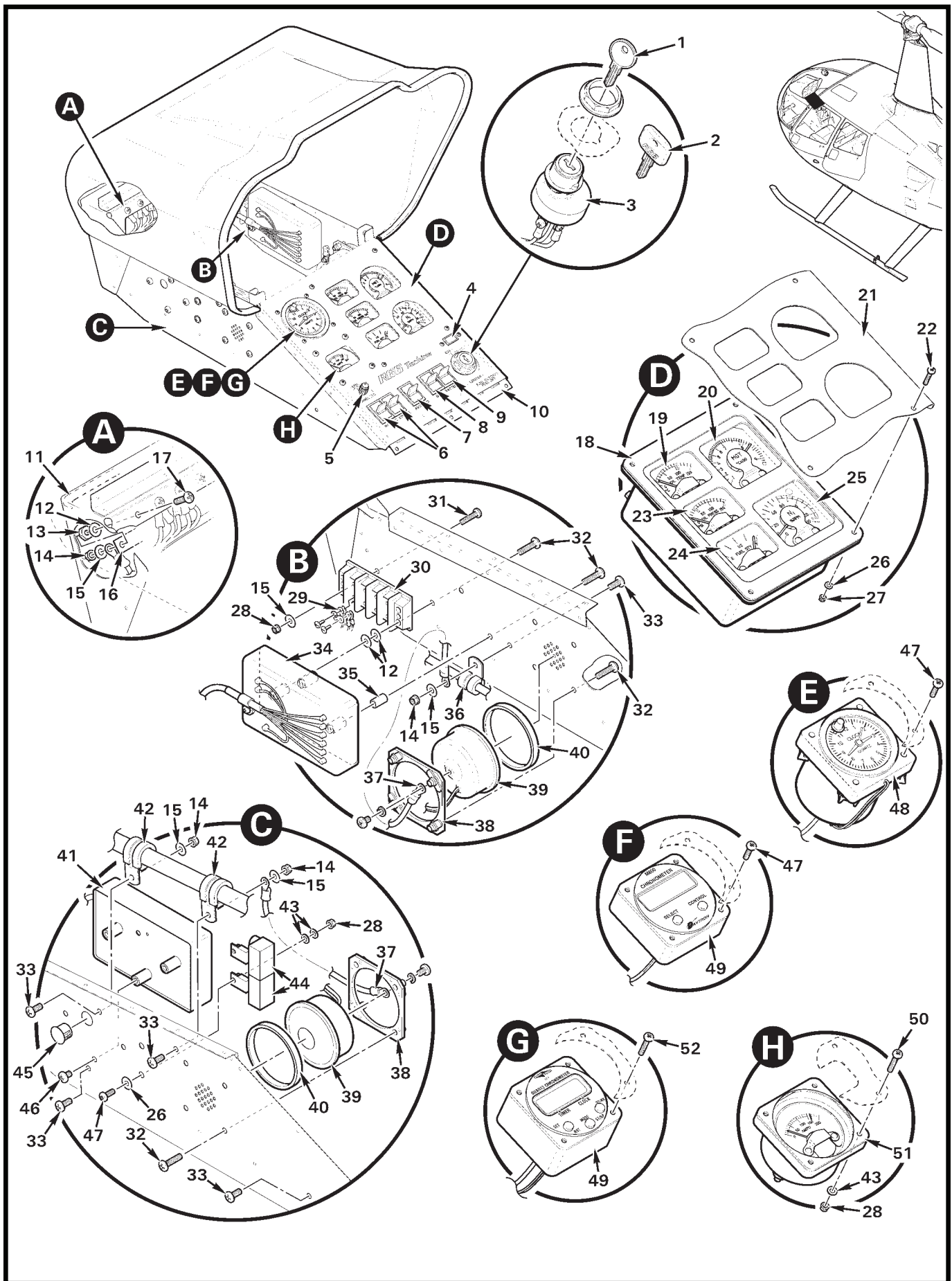


FIGURE AND INDEX NUMBER	PART NUMBER	DESCRIPTION	PARTS AVAIL	QTY PER ASSY
		SEVEN-INSTRUMENT CONSOLE – LOWER PANEL		
95-39-1	R8096	Key – Duplicate (specify ship S/N and “PK” numbers when ordering)	X	1
2	D768-8	Key (blank; black plastic-coated, “R66” logo)	X	1
3	F661-2	Switch	X	1
4	G198-2	Indicator – Rotor Brake	X	1
5	MS91528-0C1B	Knob (dimmer)	X	1
6	B184-1	Switch Assembly	X	2
7	B184-13	Switch Assembly	X	1
8	B184-11	Switch Assembly	X	1
9	B184-2	Switch Assembly	X	1
10	A356-2	Hinge	X	1
11	A226-3	Seal (install using B270-4 or -13 adhesive)	X	A/R
12	NAS1149DN832H	Washer	X	10
13	B301-8	Nut	X	8
14	MS21042L08	Nut	X	11
15	NAS1149FN816P	Washer	X	12
16	A448-14	Bus Bar	X	1
17	B567-43	Screw	X	8
18	G144-6	Instrument Cluster (Incl items 19, 20, and 23 thru 25)	X	1
19	—	Oil Temperature Gage	O	1
20	—	MGT Gage	O	1
21	B051-20	Face – Cluster Panel	X	1
22	MS35206-217	Screw	X	4
23	—	Oil Pressure Gage	O	1
24	—	Fuel Quantity Gage	O	1
25	—	N1 Meter	O	1
26	NAS1149FN616P	Washer	X	5
27	MS21042L04	Nut	X	1
28	MS21042L06	Nut	X	7
29	601985-2	Jumper Tab	X	3
30	601716-4	Terminal Block	X	1
31	MS35206-231	Screw	X	1
32	MS27039C0810	Screw	X	11
33	MS27039C0806	Screw	X	7
34	B395-1	Dimmer Assembly (includes connector)	X	1

NOTES

Continues

FIGURE AND INDEX NUMBER	PART NUMBER	DESCRIPTION	PARTS AVAIL	QTY PER ASSY
SEVEN-INSTRUMENT CONSOLE – LOWER PANEL (Cont'd)				
95-39-35	A130-34	Spacer	X	2
36	MS21919WDG4	Clamp	X	1
37	B320-79	Wire – Jumper (Ref)	O	2
38	A479-1	Plate	X	2
39	B320-3	Horn (Incl item 37)	X	2
40	A479-2	Ring	X	2
41	A569-11	Low RPM Warning Unit (includes connector)	X	1
42	MS21919WDG8	Clamp	X	2
43	NAS620-6	Washer	X	8
44	D359-1	Regulator – Voltage	X	2
45	2633	Hole Plug	X	2
46	MS35206-241	Screw	X	3
47	MS35206-228	Screw	X	6
48	A072-8	Clock Assembly	X	1
49	A064-4	Chronometer Assembly (Davtron 800)	X	1
		Chronometer Assembly (Astrotech AT420000)	X	1
50	MS35206-232	Screw	X	4
51	G143-1	Ammeter	X	1
52	—	Screw (supplied with item 49 [Astrotech])	X	4

NOTES

Intentionally Blank

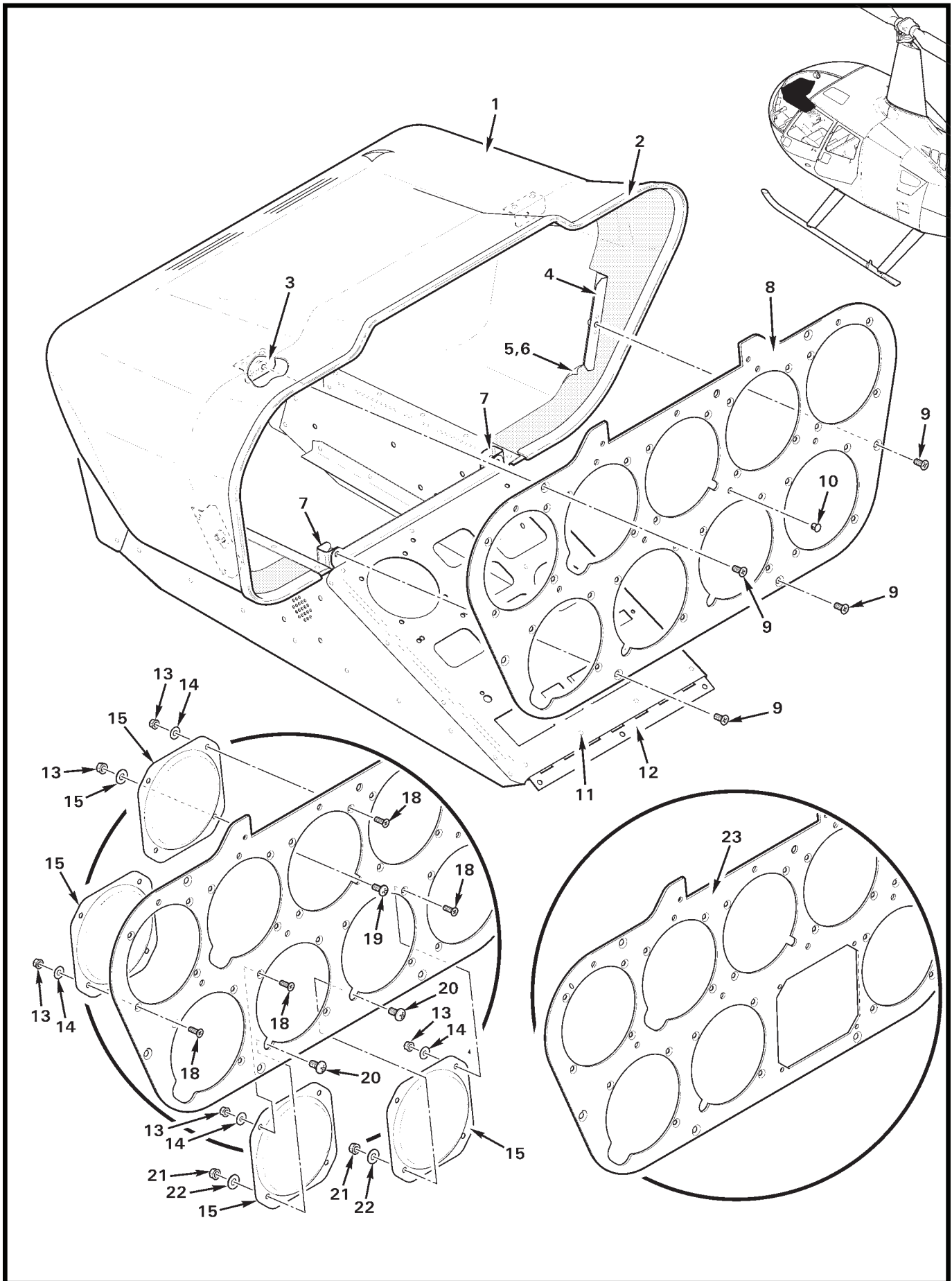


FIGURE AND INDEX NUMBER	PART NUMBER	DESCRIPTION	PARTS AVAIL	QTY PER ASSY
NINE-INSTRUMENT CONSOLE ASSEMBLY				
95-43-1	B051-19*	Console Assembly (Incl items 2 thru 7, 12, and lower panels)	X	1
2	A226-11	Trim	X	A/R
3	B181-2	Angle	X	2
4	B181-3	Angle	X	2
5	B051-8	Liner (vinyl; install using item 6)	X	1
6	B270-8qt	Adhesive	X	A/R
7	A365-11	Angle	X	2
8	B206-4	Face	X	1
9	MS24694-S4	Screw	X	6
10	2590	Hole Plug (if no post light installed)	X	A/R
11	MS20426AD3	Rivet	X	4
12	A356-2	Hinge (install using item 11)	X	1
13	MS21042L06	Nut	X	A/R
14	NAS1149FN616P	Washer	X	A/R
15	B190-6	Cover	X	A/R
16	MS21042L08	Nut	X	A/R
17	NAS1149FN816P	Washer	X	A/R
18	MS24693-S27	Screw	X	A/R
19	MS27039C0806	Screw	X	A/R
20	MS27039C1-06	Screw	X	A/R
21	MS21042L3	Nut	X	A/R
22	NAS1149F0332P	Washer	X	A/R
23	B206-5	Face (used when HSI is installed)	X	1

NOTES * For instrument and other component installation, see Figure 95-35 and Figure 95-39.

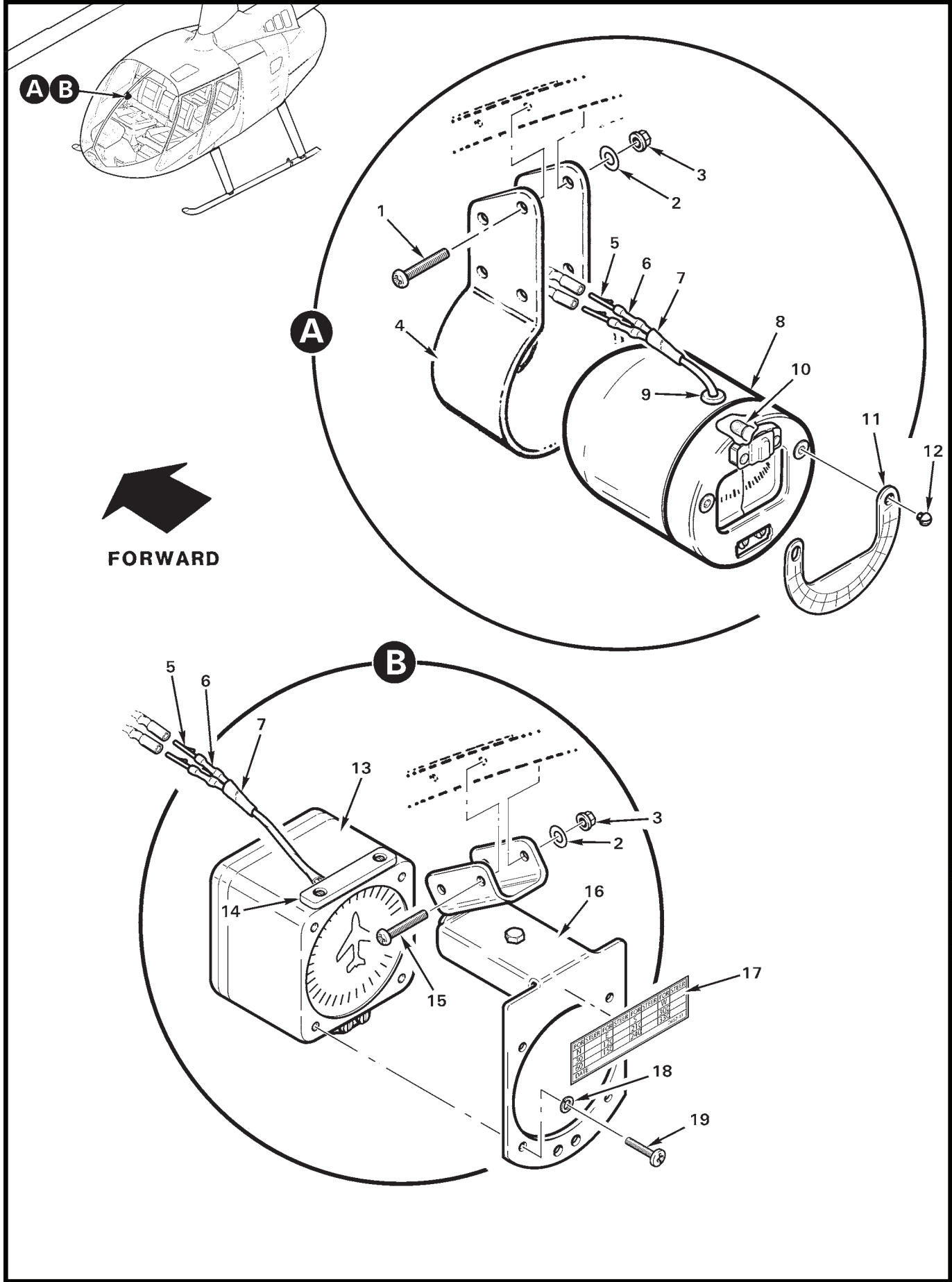


FIGURE AND INDEX NUMBER	PART NUMBER	DESCRIPTION	PARTS AVAIL	QTY PER ASSY
COMPASS INSTALLATION				
95-45-1	MS35214-47	Screw	X	4
2	NAS1149DN816J	Washer	X	A/R
3	NAS1291C08M	Nut	X	A/R
4	C685-1	Mount – Compass	X	1
5	B263-1	Pin	X	2
6	B158-2	Heat Shrink (0.125 in. dia, black)	X	A/R
7	B158-3	Heat Shrink (0.187 in. dia, black)	X	A/R
8	A022-4	Compass Assembly (Incl items 5 thru 7, 9, and 10 thru 12) . .	X	1
9	MS35489-4	Grommet	X	1
10	B196-21	Lamp	X	1
11	—	Deviation Plate (Ref)	O	1
12	—	Screw	O	2
13	B148-5	Compass Assembly – Vertical Card (Incl items 5 thru 7, 14, and 19)	X	1
14	PAI-28V	Light Bar (Ref)		
15	MS35214-47	Screw	X	2
16	B339-2	Mount – Vertical Card Compass	X	1
17	D682-43	Deviation Placard – Vertical Card Compass	X	1
18	MS35338-136B	Lockwasher	X	4
19	—	Screw	O	4

NOTES

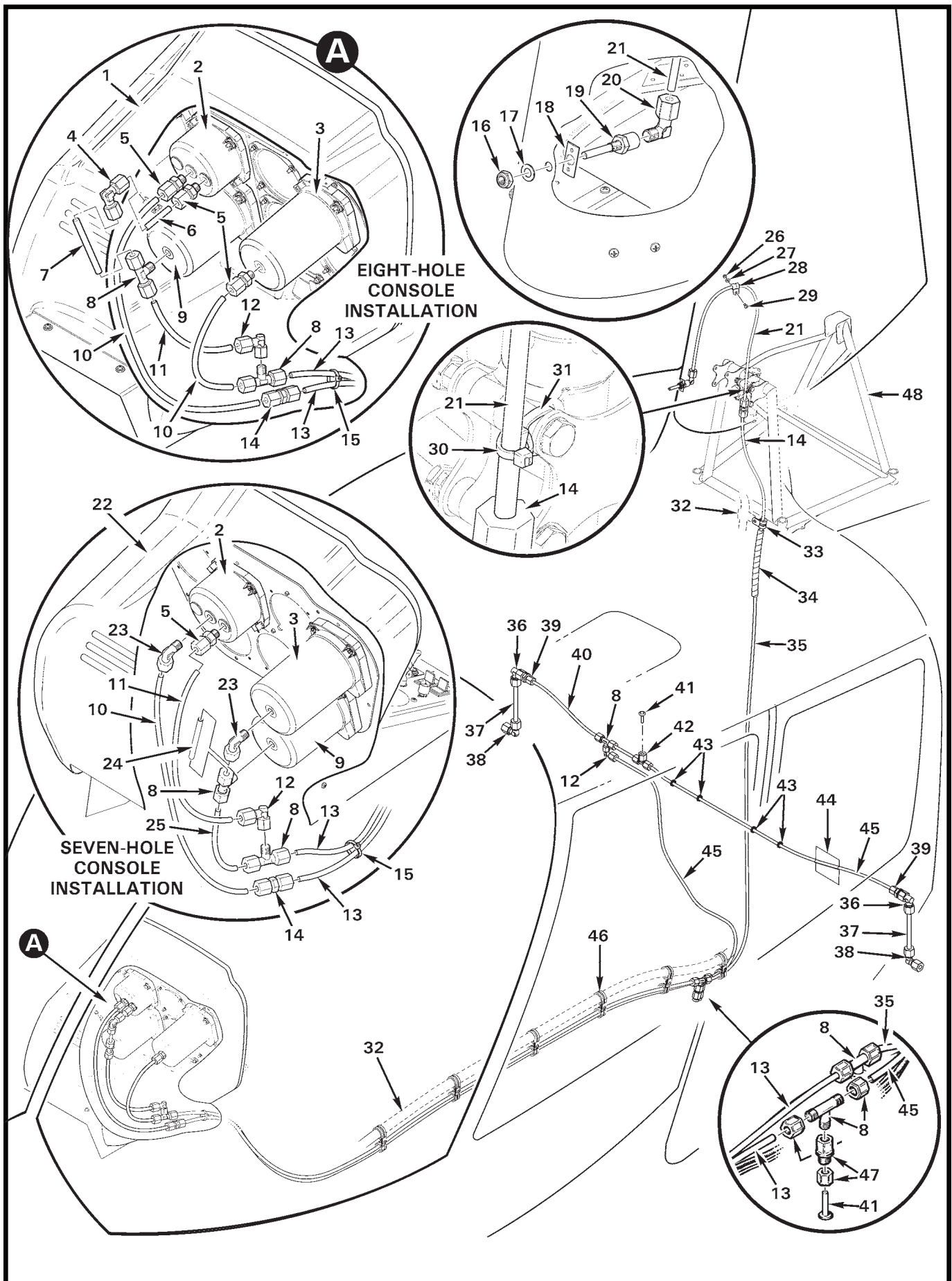


FIGURE AND INDEX NUMBER	PART NUMBER	DESCRIPTION	PARTS AVAIL	QTY PER ASSY
PITOT/STATIC TUBES INSTALLATION				
95-47-1	G050	Console Assembly (eight-instrument, Ref)		
2	C599	Airspeed Indicator (Ref, see Figure 95-27 or 95-35)		
3	A602-1	Rate-of-Climb Indicator (Ref)		
4	50-4-N-0	Elbow	X	1
5	10-4-2-N-0	Connector	X	1
6	A729-69	Tube	X	1
7	A729-70	Tube	X	1
8	60-4-2-N-0	Tee	X	5
9	A613	Altimeter (Ref)		
10	A729-23	Tube	X	1
11	A729-21	Tube	X	1
12	45-4-2-N-0	Elbow	X	1
13	A729-28	Tube	X	2
14	15-4-N-0	Union	X	1
15	MS3367-5-9	Ty-Rap	X	A/R
16	MS21083-N5	Nut	X	1
17	NAS1149D0516J	Washer	X	1
18	A246-3	Spacer	X	1
19	A262-1	Pitot Tube	X	1
20	A596-1	Elbow	X	1
21	A729-54	Tube	X	1
22	B050	Console Assembly (seven-instrument, Ref)		
23	40-4-2-N-0	Elbow	X	1
24	A729-26	Tube	X	1
25	A729-25	Tube	X	1
26	MS21042L08	Nut	X	1
27	NAS1149FN816P	Washer	X	1
28	MS21919WDG4	Clamp	X	1
29	MS27039C0806	Screw	X	1
30	MS3367-4-9	Ty-Rap (secures item 21 to item 31)	X	1
31	MS3367-5-9	Ty-Rap (secures item 30 to item 48)	X	1
32	F059	Main Electrical Harness Assembly (Ref)		
33	MS21919WDG4	Clamp (installed with item 32)	X	1
34	B161-8	Spirap	X	A/R
35	A729-6	Tube	X	1

NOTES

Continues

FIGURE AND INDEX NUMBER	PART NUMBER	DESCRIPTION	PARTS AVAIL	QTY PER ASSY
PITOT/STATIC TUBES INSTALLATION (Cont'd)				
95-47-36	45-6-6-N-0	Elbow	X	2
37	A729-32	Tube	X	2
38	50-6-N-0	Elbow	X	2
39	10-4-6-N-0	Fitting	X	2
40	A729-52	Tube	X	1
41	PI0808S	Plug	X	3
42	70-4-N-0	Tee	X	1
43	MS35489-6	Grommet	X	4
44	A701-2	Tape (6 inch wide, aluminum foil)	X	A/R
45	A729-24	Tube	X	1
46	MS21919WDG	Clamps (Ref; secures item 13 to item 32)		
47	25-4-2-N-0	Connector	X	1
48	G201-1	Frame (Ref)		

NOTES

Intentionally Blank

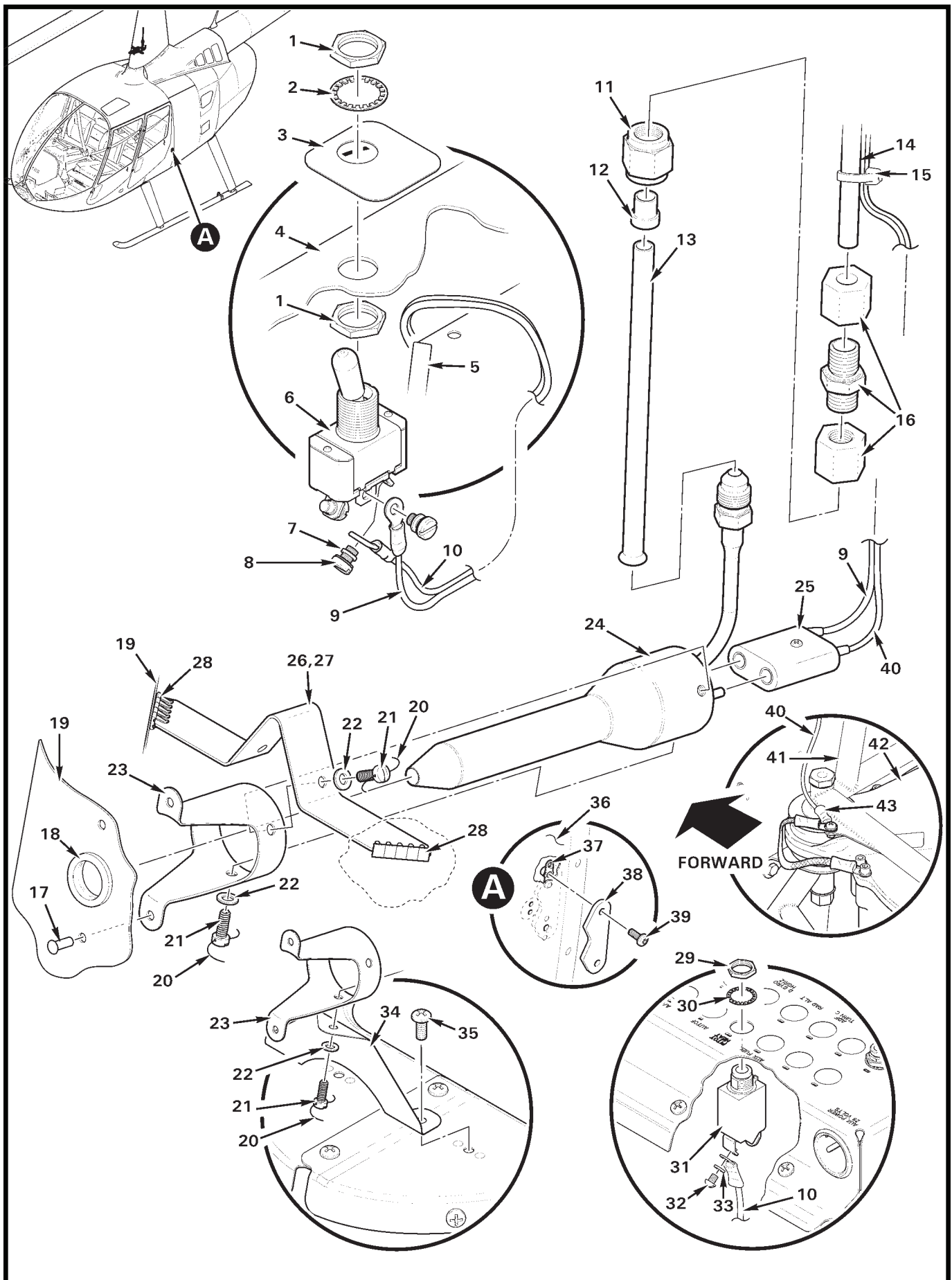


FIGURE AND INDEX NUMBER	PART NUMBER	DESCRIPTION	PARTS AVAIL	QTY PER ASSY
HEATED PITOT INSTALLATION				
95-51-1	—	Nut	O	2
2	—	Lockwasher	O	1
3	D339-3	Name plate	X	1
4	F444-1	Cover – Cyclic Box (Ref)		
5	A226-11	Trim	X	A/R
6	B300-4	Switch (Incl items 1, 2, 7, and 8)	X	1
7	—	Washer	O	2
8	—	Screw	O	2
9	-709	Wire (Ref)		
10	-710	Wire (Ref)		
11	AN818-4D	Nut	X	1
12	MS20819-4D	Sleeve	X	1
13	D339-4	Tube	X	1
14	A729-54	Tube (Ref; see also Figure 95-47)		
15	MS3367-4-9	Ty-Rap (or MS3367-6-0)	X	A/R
16	15-4-N-0	Union	X	1
17	MS20470AD4	Rivet	X	2
18	MS35489-17X	Grommet	X	1
19	F261-1	Mast Fairing (Ref)		
20	MS20995C20	0.020 in. dia Safety Wire	X	A/R
21	AN502-6-6	Screw	X	3
22	NAS620-6	Washer	X	3
23	D339-1	Mount	X	1
24	D340-2	Pitot Tube Assembly (Incl item 25)	X	1
25	—	Connector (with sockets)	O	1
26	D339-6	Bumper Assembly (incl items 27 and 28)	X	1
27	D339-7	Bumper	X	1
28	A225-1	Grommet	X	2
29	—	Nut	O	1
30	—	Lockwasher	O	1
31	B297-10	Circuit Breaker (10-amp; includes items 29,30, 32 and 33) . .	X	1
32	—	Screw	O	1
33	—	Washer	O	1
34	D339-2	Brace	X	1
35	MS27039C0806	Screw	X	2

NOTES

Continues

FIGURE AND INDEX NUMBER	PART NUMBER	DESCRIPTION	PARTS AVAIL	QTY PER ASSY
HEATED PITOT INSTALLATION (Cont'd)				
95-51-36	F015-3	Skin (Ref)		
37	MS21069L04	Nutplate	X	2
38	D372-4	Dam – Static Port (LH shown, RH opposite)	X	2
39	MS35206-214	Screw	X	4
40	D340-708	Wire (ground; see MM for schematic)	X	1
41	G201-1	Frame (Ref)		
42	F006	MRGB (Ref)		
43	B260-4	Terminal	X	1

NOTES