

CHAPTER 90
POLICE VERSION

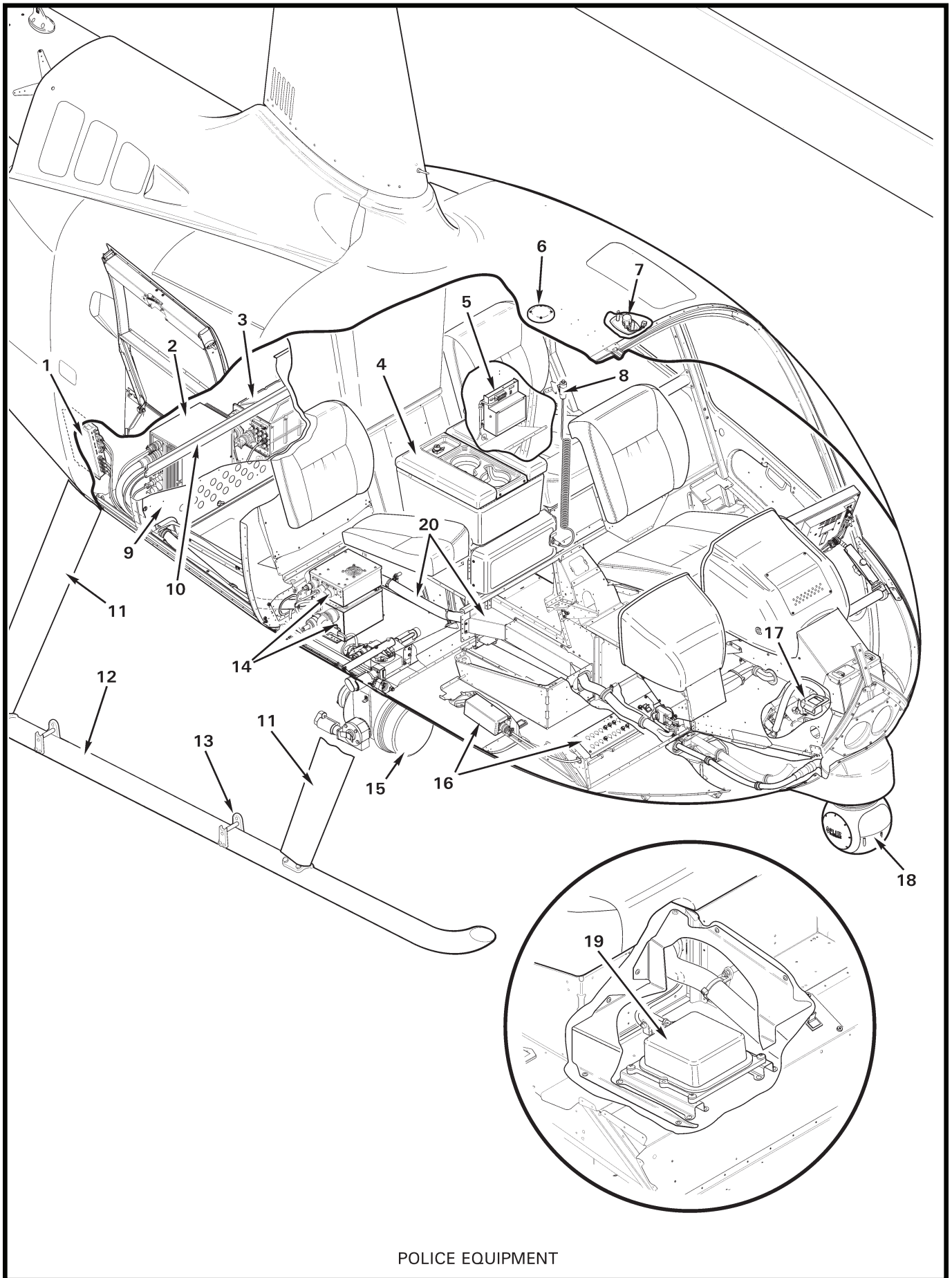
<i>Figure</i>	<i>Title</i>	<i>Page</i>
–	R66 Police Equipment	90.iv
–	R66 Police Equipment	90.vi
90-1	C060-3 Interior Light Installation	90.0
90-3	C813-5 Transceiver Installation (G070 Console)	90.2
90-5B	C813-4 Transceiver Installation (G060 Console)	90.5A
90-7	C813-2 Transceiver Installation	90.6
90-7B	G460-2 Audio Control Installation	90.7A
90-9	G460-1 Audio Control Installation	90.8
90-13	C823-16 Dual Audio Control Installation	90.12
90-15	C849-4 Blower Installation	90.14
90-17	F051-1 Camera System Installation – Gimbal Fairing and Cover	90.16
90-19	F051-1 Camera System Installation – Gimbal and Lower Support Assembly	90.18
90-21	F051-1 Camera System Installation – Upper Gimbal Support Assembly	90.20
90-23	F051-1 Camera System Installation – Electronics Control Unit & Controller Assembly	90.22
90-25	F060-2 Intercom System Installation – Audio Control	90.24
90-27	F060-2 Intercom System Installation – Floor Switches	90.26
90-29	F079-1 PA/Siren System – Speaker Installation	90.28
90-31	F079-1 PA/Siren System – Components Installation	90.30
90-33	F081 Searchlight Installation – Gimbal and Gearmotor Assemblies	90.32
90-37	F081 Searchlight Installation – Slass ECU and Junction Box Assembly	90.36
90-39	F081 Searchlight Installation – Control Assembly	90.38
90-39B	F818 GTN 6XX-series GPS/NAV/COM Installation (G070 Console)	90.39A
90-41	G415-1 DVR Installation (Optional)	90.40
90-43	G416-5 Monitor Installation	90.42
90-45B	G416-4 Monitor Installation	90.45A
90-47	G416-1 Monitor Installation	90.46
90-51	Pilot’s Side Console – GDU 1060 TXi Display	90.50
90-53B	Pilot’s Side Console – GPS/NAV/COM Installation	90.53A

CHAPTER 90

POLICE VERSION (Cont'd)

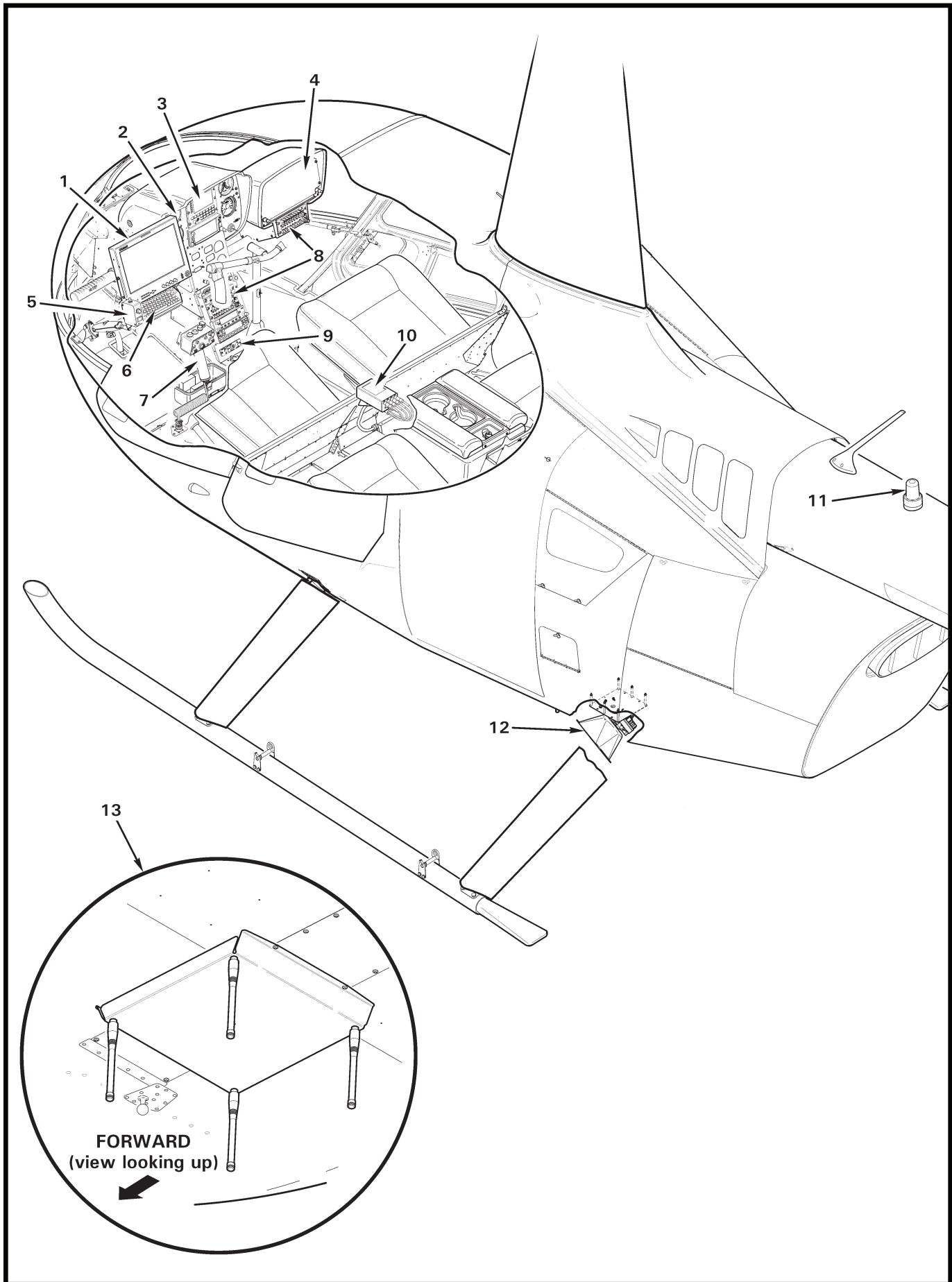
<i>Figure</i>	<i>Title</i>	<i>Page</i>
90-55	G423-1 Aux Electrical System – 28-to-14V Converter & CB Panel . .	90.54
90-57	G423-1 Aux Electrical System – Harness Assembly	90.56
90-59	G423-1 Aux Electrical System – Relay	90.58
90-61	G425-1 Wall Installation	90.60
90-63	G437-1 Lojack Installation – Display	90.62
90-65	G437-1 Lojack Installation – Receiver	90.64
90-67	G437-1 Lojack Installation – Antennas	90.66
90-69	G608 Mapping System – Computer Installation	90.68
I 90.71B	G608-7/-8 Mapping System – Computer Installation	90.71A
90-73	G608 Mapping System – Components Installation	90.72
90-75	G608-1 Mapping System Installation	90.74
90-77	G685-1 Aux Strobe Installation	90.76
90-79	G749-1 Aft Console Installation	90.78

Intentionally Blank



POLICE EQUIPMENT

ITEM NUMBER	DESCRIPTION	FIGURE
R66 POLICE EQUIPMENT		
-	Robinson R66 Police Helicopter Equipment Installation (Incl items 1 thru 19, and items 1 thru 13 on page 90.vii.)	-
1	Lojack Receiver	90-65
2	Camera Control Unit	90-23
3	Mapping System Computer	90-69
		90-75
4	Aft Console	90-79
5	PA/Siren Amplifier	90-31
6	Mapping System Antenna	90-73
7	Interior Light	90-1
8	Remote Transmit Switch	97-53
9	Wall Installation	90-61
10	Beam Installation	90-61
11	Landing Gear Fairing	32-5
12	Extended Landing Gear	32-1
13	C719-1 Ground Handling Wheel Support	32-1
14	Searchlight ECU and Junction Box	90-37
15	Searchlight	90-33
16	Power Converter and Aux Circuit Breaker Panel	90-55
17	Avionics Blower	90-15
18	FLIR Gimbal Camera	90-17
		90-19
		90-21
19	Mapping System IMU Sensor	90-73
20	G423 Aux Electrical System – Harness Assembly	90-56
NOTES		



ITEM NUMBER	DESCRIPTION	FIGURE
R66 POLICE EQUIPMENT		
1	Co-Pilot Monitor	90-43 90-45B 90-47
2	Airspeed Indicator	95-1 95-27
3	Transceiver Installation	90-3 90-5B 90-7 90-39B
4	Pilot Side Console – EFIS Monitor Pilot Side Console – GPS/NAV/COM	90-51 90-53B
5	Searchlight	90-33 90-37 90-39
6	Mapping System Keyboard	90-69 90-75
7	Camera Controller	90-23
8	Audio Control Installation	90-7B 90-9 90-13 90-25
9	PA/Siren Control	90-31
10	DVR Installation	90-41
11	Aux Strobe Light	90-77
12	PA/Siren System Speaker	90-29
13	Lojack Antennas	90-67
NOTES		

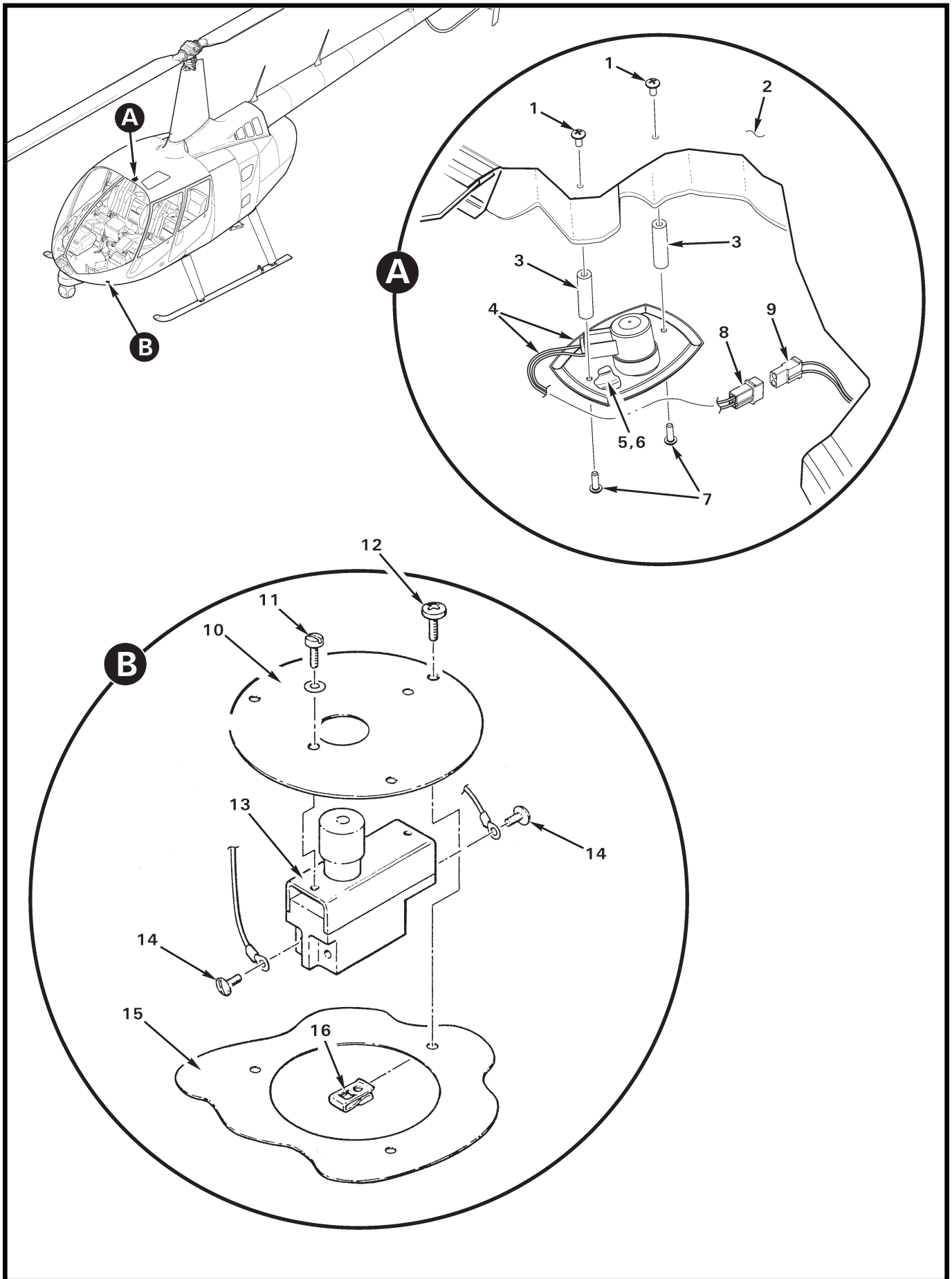


FIGURE AND INDEX NUMBER	PART NUMBER	DESCRIPTION	PARTS AVAIL	QTY PER ASSY
C060-3 INTERIOR LIGHT INSTALLATION				
90-1-1	AN526C832R6	Screw	X	2
2	F273-1	Roof (Ref)		
3	D098-3	Spacer	X	2
4	D098-1	Light Assembly (Incl item 5 and 6)	X	1
5	A226-15	Trim (install using item 6 as required)	X	A/R
6	B270-17	Adhesive	X	A/R
7	MS27039C0805	Screw	X	2
8	B263-12	Housing	X	1
	B263-1	Pin	X	2
9	B263-13	Housing (Ref)		
	B263-2	Socket (Ref)		
10	A797-1	Cover	X	1
11	AN502-6-6	Screw (or NAS1351-06-6P)	X	2
12	MS27039C0806	Screw	X	3
13	B525-1	Switch (light; includes item 14)	X	1
14	—	Screw	O	2
15	F232-1	Panel – Floor (Ref, LH)		
16	B162-3	Clipnut	X	3

NOTES

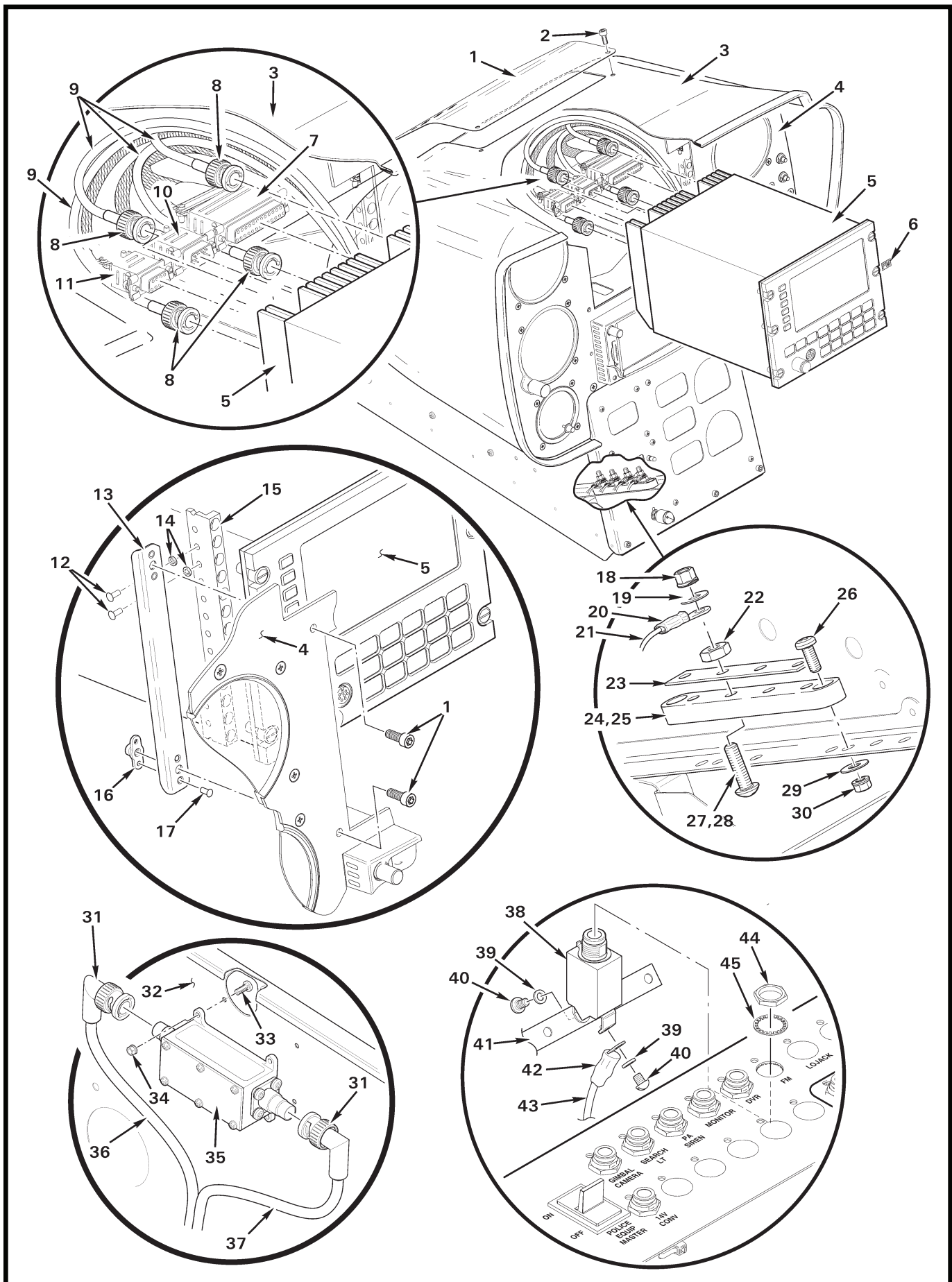


FIGURE AND INDEX NUMBER	PART NUMBER	DESCRIPTION	PARTS AVAIL	QTY PER ASSY
		C813-5 TRANSCEIVER INSTALLATION (G070 CONSOLE)		
90-3-1	G413-14	Cover	X	1
2	NAS1352-08-8	Screw	X	4
3	G070	Console Assembly (Ref)		
4	G075	Face (Ref)		
5	TDFM-9000	Transceiver (FM)	X	1
6	G682-24	Decal – “FM” (installed on item 4)	X	1
7	B269-12	Socket Receptacle (25-socket; reference wires -2778 [2], -2775 [2], -1908 [2, white and blue], -1911 [2, white and blue], and -1914 [2, white and blue])	X	1
	B269-23	Backshell	X	1
8	5225395-6	Plug (BNC)	X	A/R
9	—	Cable (Ref, to antenna)		
10	B269-77	Plug (15-pin; reference wires -1909 [2, white and blue], -1912 [2, white and blue], -1915 [2, white and blue], and -2394 [2, white and blue])	X	1
	B269-22	Backshell	X	1
11	B269-78	Socket Receptacle (15-socket; reference wire -2395[white] and -2395[blue])	X	1
	B269-22	Backshell	X	1
12	MS20470AD4	Rivet	X	8
13	G413-9	Angle Assembly (Incl items 16 and 17)	X	2
14	NAS620-5	Washer	X	A/R
15	A917-8	Strip	X	2
16	MS21069L08	Nutplate	X	2
17	NAS1097AD3	Rivet	X	4
18	MS21042L08	Nut	X	4
19	NAS1149FN816P	Washer	X	4
20	B260-3	Terminal	X	1
21	-2773	Wire (Ref; ground)		
22	B301-8	Nut	X	4
23	A448-10	Bus Bar (4 holes)	X	1
24	C448-2	Block Assembly (Incl items 22, 23, 25, 27, and 28)	X	1
25	C448-5	Block (Ref)		
26	MS35206-228	Screw	X	4
27	B567-43	Screw (install using item 28 under head)	X	4
28	B270-9	Adhesive	X	A/R

NOTES

Continues

FIGURE AND INDEX NUMBER	PART NUMBER	DESCRIPTION	PARTS AVAIL	QTY PER ASSY
C813-5 TRANSCEIVER INSTALLATION (G070 CONSOLE; Cont'd)				
90-3-29	NAS620-6	Washer	X	2
30	MS21042L06	Nut	X	2
31	5225973-4	Plug (90° BNC)	X	2
32	F033-1	Console Assembly – Lower (Ref)		
33	MS35206-214	Screw	X	2
34	MS21042L04	Nut	X	2
35	133956-1	Filter (required when VHF module is installed)	X	1
36	–	Cable (to item 5, Ref)		
37	–	Cable (to VHF antenna, Ref)		
38	B297-10	Circuit Breaker (10 amp; includes items 39, 40, 44, and 45) . .	X	1
39	–	Lockwasher	O	2
40	–	Screw	O	2
41	A448-12	Bus Bar (12 hole)	X	1
42	B260-2	Terminal	X	1
43	–2772	Wire (Ref; power)		
44	–	Nut	O	1
45	–	Lockwasher	O	1
NOTES				

Intentionally Blank

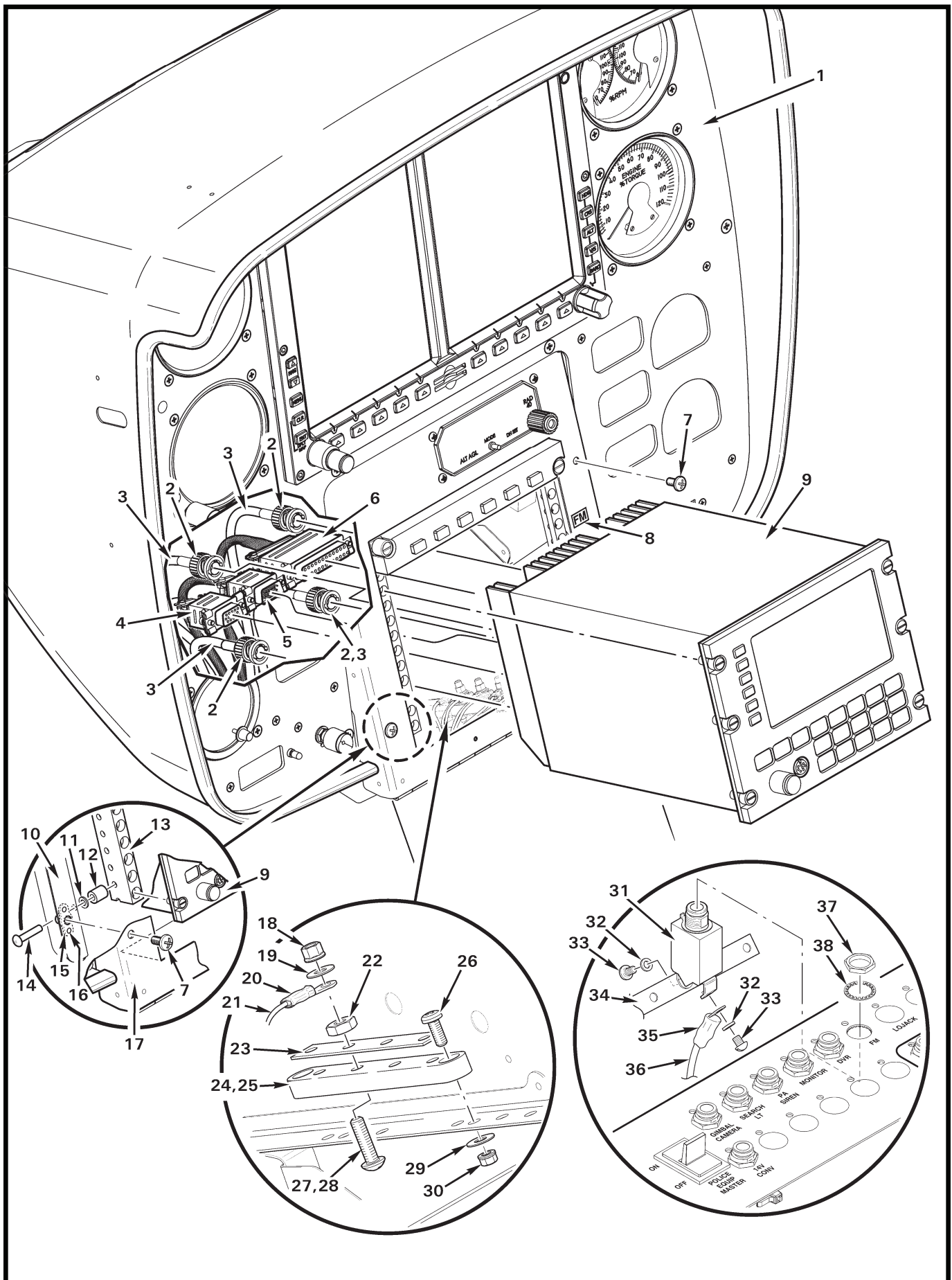


FIGURE AND INDEX NUMBER	PART NUMBER	DESCRIPTION	PARTS AVAIL	QTY PER ASSY
		C813-4 TRANSCEIVER INSTALLATION (G060 CONSOLE)		
90-5B-1	G060-4	Console Assembly (Ref)		
2	5225395-6	Plug	X	A/R
3	—	Cable (Ref; to antenna)		
4	B269-78	Socket Receptacle (15-socket; reference wire -2395[white] and -2395[blue])	X	1
5	B269-77	Plug (15-pin; reference wires -1909 [2, white and blue], -1912 [2, white and blue], -1915 [2, white and blue], and -2394 [2, white and blue])	X	1
6	B269-12	Socket Receptacle (25-socket; reference wires -2778 [2], -2775 [2], 1908 [2, white and blue], -1911 [2, white and blue], and -1914 [2, white and blue])	X	1
7	MS27039C0805	Screw	X	4
8	G682-24	Decal – “FM”	X	1
9	TDFM-9000	Transceiver (FM)	X	1
10	C905-6	Angle	X	2
11	NAS620-5	Washer	X	A/R
12	A130-55	Spacer	X	2
13	A917-8	Strip	X	2
14	MS20470AD3	Rivet	X	6
15	MS21069L08K	Nutplate	X	4
16	NAS1097AD3	Rivet	X	8
17	G064-7	Face (Ref)		
18	MS21042L08	Nut	X	4
19	NAS1149FN816P	Washer	X	4
20	B260-3	Terminal	X	1
21	-2773	Wire (Ref; ground)		
22	B301-8	Nut	X	4
23	A448-10	Bus Bar (4 holes)	X	1
24	C448-2	Block Assembly (Incl items 22, 23, 25, 27, and 28)	X	1
25	C448-5	Block (Ref)		
26	MS35206-228	Screw	X	4
27	B567-43	Screw (install using item 28 under head)	X	4
28	B270-9	Adhesive	X	A/R
29	NAS620-6	Washer	X	2
30	MS21042L06	Nut	X	2
31	B297-10	Circuit Breaker (10 amp; includes items 32, 33, 37, and 38) . .	X	1

NOTES

Continues

FIGURE AND INDEX NUMBER	PART NUMBER	DESCRIPTION	PARTS AVAIL	QTY PER ASSY
C813-4 TRANSCEIVER INSTALATION (G060 CONSOLE; Cont'd)				
90-5B-32	-	Lockwasher	O	2
33	-	Screw	O	2
34	A448-12	Bus Bar (12 hole)	X	1
35	B260-2	Terminal	X	1
36	-2772	Wire (Ref; power)		
37	-	Nut	O	1
38	-	Lockwasher	O	1
NOTES				

Intentionally Blank

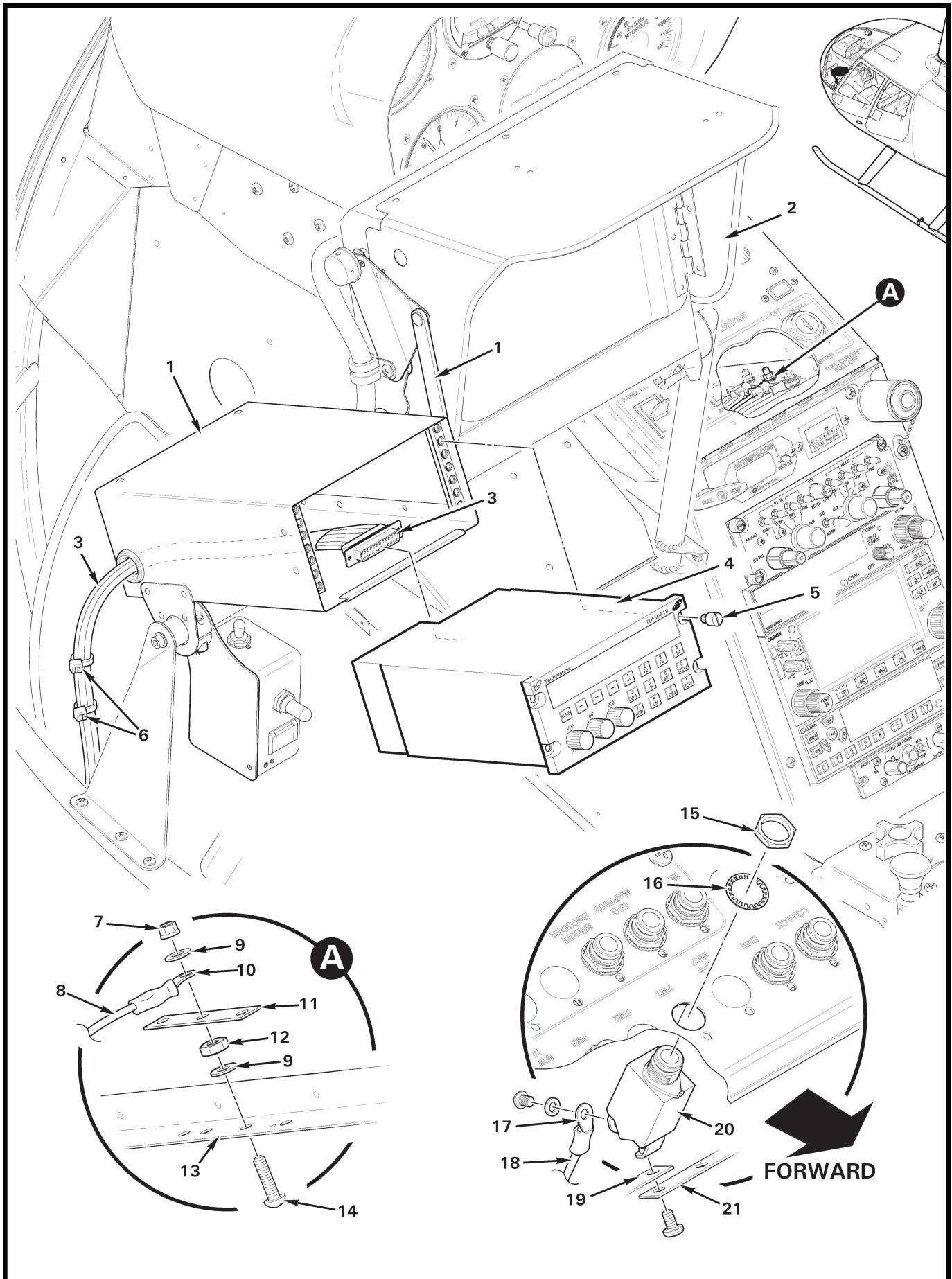


FIGURE AND INDEX NUMBER	PART NUMBER	DESCRIPTION	PARTS AVAIL	QTY PER ASSY
C813-2 TRANSCEIVER INSTALLATION				
90-7-1	G413-1	Box Assembly	X	1
2	D763-3	Visor Assembly (Ref, see Figure 90-47)		
3	D613-4	Harness Assembly	X	1
4	TDFM-600	Transceiver – Technisonic	X	1
5	—	Screw	O	4
6	MS3367-5-0	Ty-Rap	X	A/R
7	MS21042L08	Nut	X	1
8	-1898	Wire (Ref)		
9	NAS1149DN832H	Washer	X	2
10	B260-3	Terminal (Ref)		
11	A448-15	Bus Bar (Ref, 3-hole)		
12	B301-8	Nut	X	1
13	F365-1	Angle (Ref)		
14	B567-43	Screw	X	1
15	—	Nut	O	1
16	—	Washer	O	1
17	B260-2	Terminal (Ref)		
18	-1897	Wire (Ref)		
19	A448-13	Bus Bar (Ref)		
20	B297-7	Circuit Breaker (7 amp; includes items 14 and 15)	X	1
21	A448-12	Bus Bar (Ref, 9-hole)		

NOTES

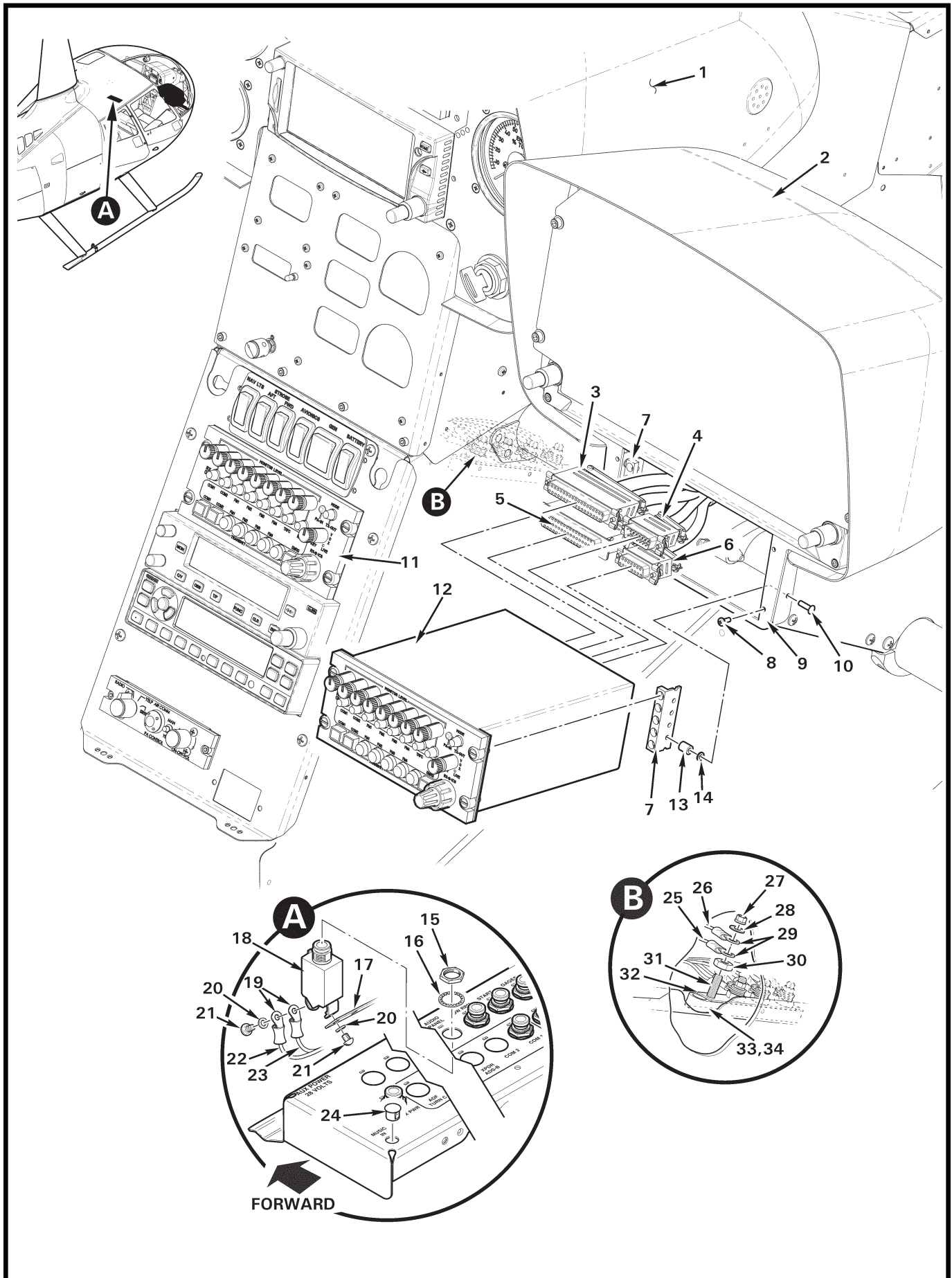


FIGURE AND INDEX NUMBER	PART NUMBER	DESCRIPTION	PARTS AVAIL	QTY PER ASSY
G460-2 AUDIO CONTROL INSTALLATION				
90-7B-1	G070	Console Assembly (Ref)		
2	G071	Pilot Avionics Console Assembly (Ref)		
3	SD37F00JVLX*	Receptacle (37-socket [at J201])	X	2
	B269-62	Socket	X	29
4	SD15M00JVL2*	Plug (15-pin [at J202])	X	2
	B269-61	Pin	X	A/R
5	SD50F00JVLX*	Receptacle (50-socket [at J101])	X	2
	B269-62	Socket	X	A/R
6	SD15F00WEZ*	Receptacle (50-socket [at J102])	X	2
	B269-62	Socket	X	5
7	A917-6	Strip	X	2
8	MS35206-214	Screw	X	4
9	G413-7	Face Assembly (Ref)		
10	MS20470AD4	Rivet	X	4
11	A711L**	Audio Control Panel (co-pilot module)	X	1
12	A711L**	Audio Control Panel (pilot module)	X	1
13	A130-55	Spacer	X	8
14	NAS620-5	Washer (as required for shimming)	X	A/R
15	—	Nut	O	1
16	—	Lockwasher	O	1
17	A448	Bus Bar (Ref)		
18	B297-3	Circuit Breaker (3-amp; includes items 15, 16, 20, and 21) . .	X	1
19	B260-2	Terminal	X	2
20	—	Lockwasher	O	2
21	—	Screw	O	2
22	-644	Wire (Ref; power, co-pilot module)		
23	-2745	Wire (Ref; power, pilot module)		
24	2613	Hole Plug (at "MUSIC IN" location)	X	1
25	-643	Wire (Ref; ground, co-pilot module)		
26	-2746	Wire (Ref; ground, pilot module)		
27	MS21042L08	Nut	X	1
28	NAS1149FN816	Washer	X	1
29	B260-3	Terminal	X	2
30	B301-8	Nut	X	4
31	B567-43	Screw	X	4

NOTES * Positronic Industries, Inc. part number.
 ** Technisonic part number.

Continues

FIGURE AND INDEX NUMBER	PART NUMBER	DESCRIPTION	PARTS AVAIL	QTY PER ASSY
G460-2 AUDIO CONTROL INSTALLATION (Cont'd)				
90-7B-32	A448-10	Bus Bar (4 hole)	X	1
33	C448-2	Block Assembly (Incl items 30 thru 32 and 34)	X	1
34	C448-5	Block (4 holes)	X	1
NOTES				

Intentionally Blank

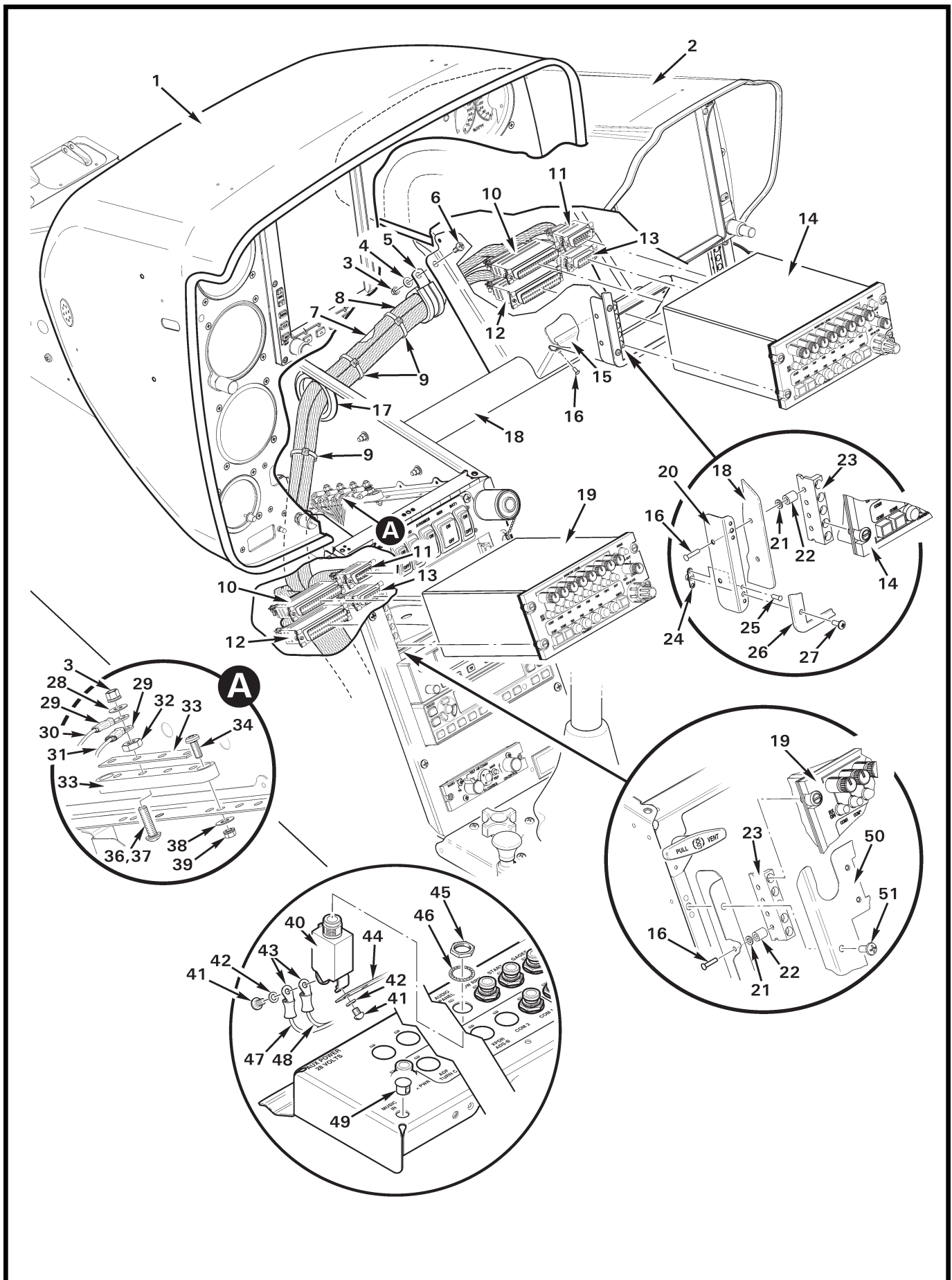


FIGURE AND INDEX NUMBER	PART NUMBER	DESCRIPTION	PARTS AVAIL	QTY PER ASSY
G460-1 AUDIO CONTROL INSTALLATION				
90-9-1	G060-4	Console Assembly (Ref)		
2	G704-2	Pilot Avionics Console Assembly (Ref)		
3	MS21042L08	Nut	X	2
4	NAS1149FN832P	Washer	X	1
5	MS21919WDG__	Clamp (size as required so that harness has no play in clamp) . .	X	1
6	MS27039C0806	Screw	X	1
7	—	Wires/Cable to GPS Transceiver (Ref)		
8	B266-8	Sleeving	X	A/R
9	MS3367-5-0	Ty-Rap (or MS3367-7-0)	X	A/R
10	SD37F00JVLX*	Receptacle (37-socket [at J201]; refer to R66 MM chapter 98 for wire assignments)	X	2
	B269-62	Socket	X	29
11	SD15M00JVL2*	Plug (15-pin [at J202]; refer to R66 MM chapter 98 for wire assignments)	X	2
	B269-61	Pin	X	A/R
12	SD50F00JVLX*	Receptacle (50-socket [at J101]; refer to R66 MM chapter 98 for wire assignments)	X	2
	B269-62	Socket	X	A/R
13	SD15F00WEZ*	Receptacle (50-socket [at J102]; refer to R66 MM chapter 98 for wire assignments)	X	2
	B269-62	Socket	X	5
14	A711L**	Audio Control Panel (pilot module)	X	1
15	G704-20	Support	X	1
16	MS20470AD3	Rivet	X	11
17	B401-3	Grommet	X	1
18	G703-13	Support Assembly	X	1
19	A711L**	Audio Control Panel (co-pilot module)	X	1
20	G704-21	Angle Assembly (Incl items 28 and 29)	X	2
21	NAS620-5	Washer (as required for shimming)	X	A/R
22	A130-55	Spacer	X	2
23	A917-6	Strip	X	2
24	MS21069L04	Nutplate	X	2
25	NAS1097AD3	Rivet (countersunk)	X	4
26	G704-18	Face (Ref; for use with Garmin GTN 650 installed)		
	G704-19	Face (Ref ;for use with Garmin GTN 750 installed)		
27	MS35206-214	Screw	X	4

NOTES * Positronic Industries, Inc. part number.
 ** Technisonic part number.

Continues

FIGURE AND INDEX NUMBER	PART NUMBER	DESCRIPTION	PARTS AVAIL	QTY PER ASSY
G460-1 AUDIO CONTROL INSTALLATION (Cont'd)				
90-9-28	NAS1149FN816	Washer	X	2
29	B260-3	Terminal	X	2
30	-643	Wire (Ref; ground, co-pilot module)		
31	-2746	Wire (Ref; ground, pilot module)		
32	B301-8	Nut	X	4
33	A448-10	Bus Bar (4 hole)	X	1
34	MS35206-228	Screw	X	2
35	C448-2	Block Assembly (Incl items 30,34, and 35)	X	1
36	B567-43	Screw (install using item 35)	X	4
37	B270-9	Adhesive	X	A/R
38	NAS1149FN616P	Washer	X	2
39	MS21042L06	Nut	X	2
40	B297-3	Circuit Breaker (3-amp; includes items 39, 40, 43, and 44) . .	X	1
41	—	Screw	O	2
42	—	Lockwasher	O	2
43	B260-2	Terminal	X	2
44	A448	Bus Bar (Ref)		
45	—	Nut	O	1
46	—	Lockwasher	O	1
47	-644	Wire (Ref; power, co-pilot module)		
48	-2745	Wire (Ref; power, pilot module)		
49	2613	Hole Plug	X	1
50	F640	Face Assembly (Ref; avionics)		
51	MS27039C0807	Screw (Ref)		

NOTES

Intentionally Blank

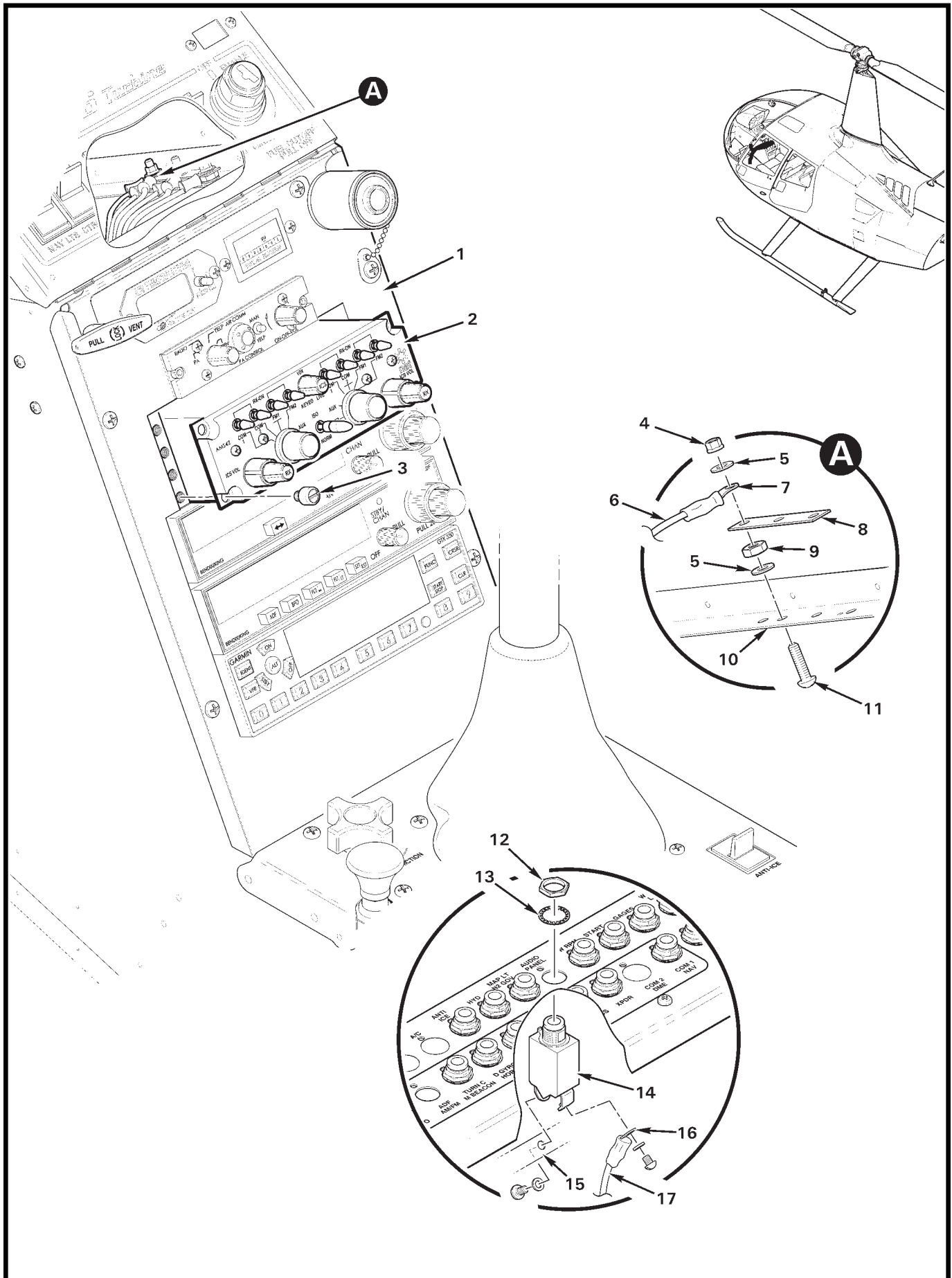


FIGURE AND INDEX NUMBER	PART NUMBER	DESCRIPTION	PARTS AVAIL	QTY PER ASSY
C823-16 DUAL AUDIO CONTROL INSTALLATION				
90-13-1	G225	Face Assembly (Ref)		
2	AMS42	Dual Audio Control (N.A.T.)	X	1
3	MS24693-S32	Screw	X	3
4	MS21042L08	Nut	X	1
5	NAS1149DN832H	Washer	X	2
6	-951	Wire (Ref)		
7	B260-3	Terminal (Ref)		
8	A448-15	Bus Bar (3-hole)	X	1
9	B301-8	Nut	X	1
10	F365-1	Angle (Ref)		
11	B567-43	Screw	X	1
12	—	Nut	O	1
13	—	Lockwasher	O	1
14	B297-2	Circuit Breaker (2 amp; includes items 12 and 13)	X	1
15	A448-1	Bus Bar (Ref)		
16	B260-3	Terminal (Ref)		
17	-950	Wire (Ref)		
NOTES				

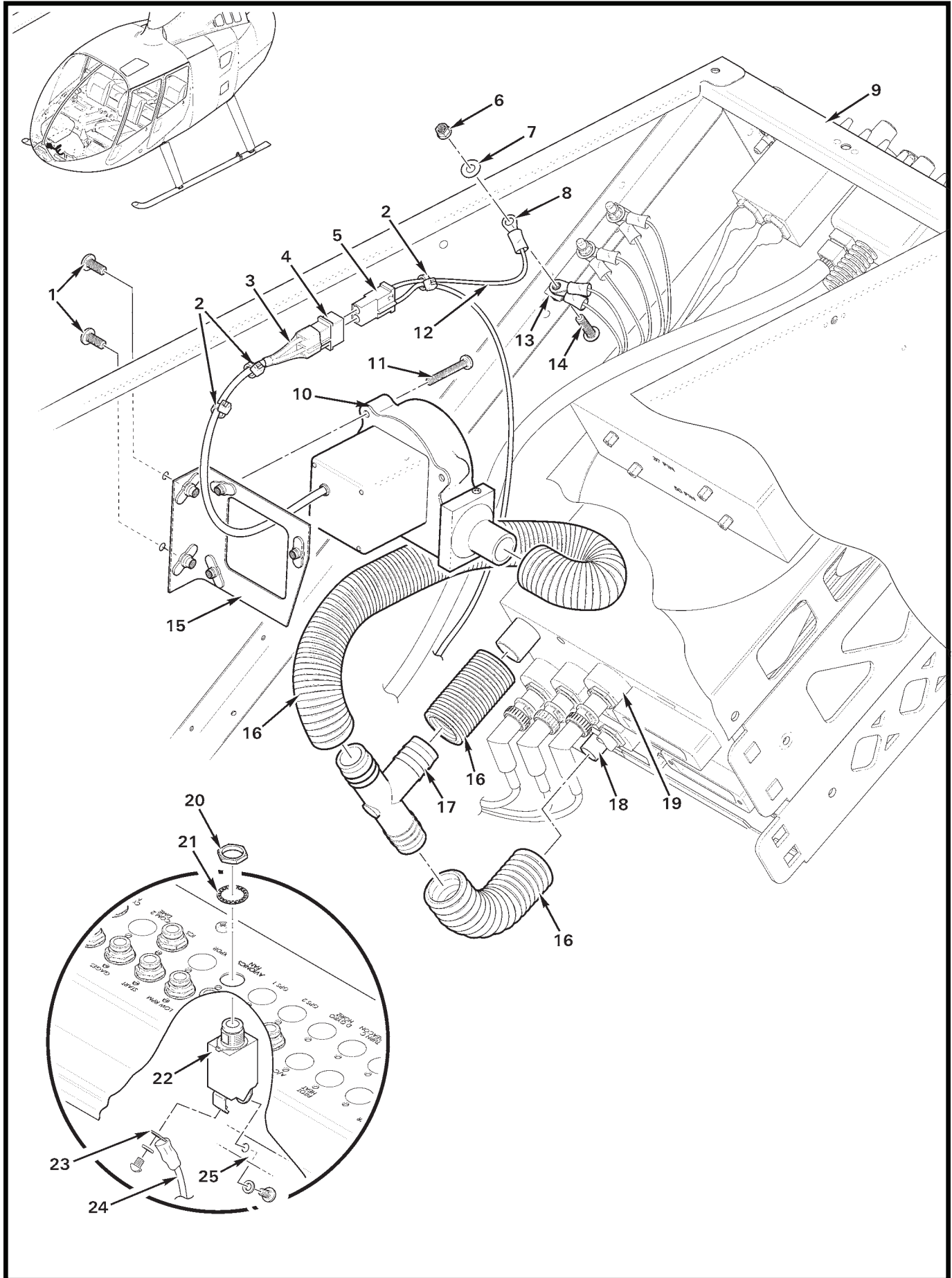


FIGURE AND INDEX NUMBER	PART NUMBER	DESCRIPTION	PARTS AVAIL	QTY PER ASSY
C849-4 BLOWER INSTALLATION				
90-15-1	MS270390806	Screw	X	2
2	MS3367-4-9	Ty-Rap	X	A/R
3	B158-408	Heat Shrink	X	A/R
4	B263-12	Housing	X	1
	B263-1	Pin	X	2
5	B263-13	Housing	X	1
	B263-2	Socket	X	2
6	MS21042L08	Nut (Ref)		
7	NAS1149FN816P	Washer (Ref)		
8	B260-3	Terminal	X	1
9	F033	Lower Console Assembly (Ref)		
10	TB1-1.5D	Blower	X	1
11	MS35206-233	Screw	X	3
12	-1147	Wire (Ref)		
13	A448-4	Bus Bar (Ref; 3-hole)		
14	B567-43	Screw (Ref)		
15	D651-1	Bracket	X	1
16	5399K17	Hose	X	A/R
17	A457-5	Tee	X	1
18	GTX 330	Transponder – Garmin (Ref)		
19	GNS 430W	Transceiver – Garmin (Ref)		
20	—	Nut	O	1
21	—	Washer	O	1
22	B294-2	Circuit Breaker (2 amp; includes items 20 and 21)	X	1
23	B260-2	Terminal (Ref)		
24	-1014	Wire (Ref)		
25	A448-1	Bus Bar (Ref)		

NOTES

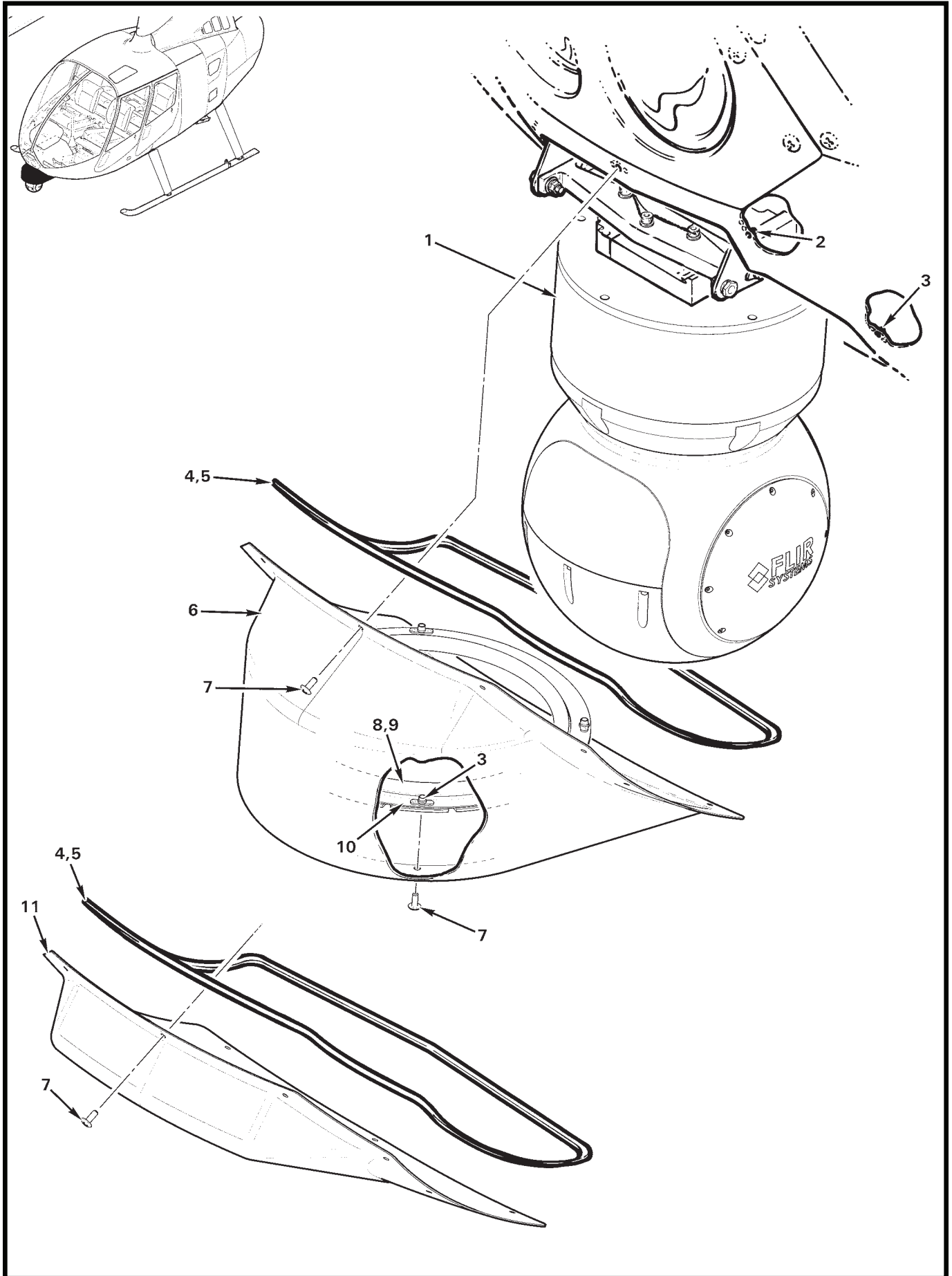


FIGURE AND INDEX NUMBER	PART NUMBER	DESCRIPTION	PARTS AVAIL	QTY PER ASSY	
90-17-1	19205-201	F051-1 CAMERA SYSTEM INSTALLATION – GIMBAL FAIRING AND COVER			
	2	MS21071L08	Gimbal Assembly (Ref; Model # Flir Systems, see Figure 90-19)		
	3	MS21069L08	Nutplate (Ref)	X	2
	4	MS21069L08	Nutplate ([10] on helicopter chin, [4] on item 11)	X	A/R
	5	A226-3	Seal (install using item 5)	X	A/R
	6	B270-8	Sealant (silicone)	X	A/R
	7	B332-42	Fairing	X	1
	8	G412-1	Screw	X	12
	9	05-00020	Seal (install using item 9)	X	A/R
	10	B270-18	Adhesive	X	A/R
	11	D350-6	Ring Assembly (includes item 3 [4])	X	1
	G548-1596	Cover (for use when item 1 is removed)	X	1	
NOTES					

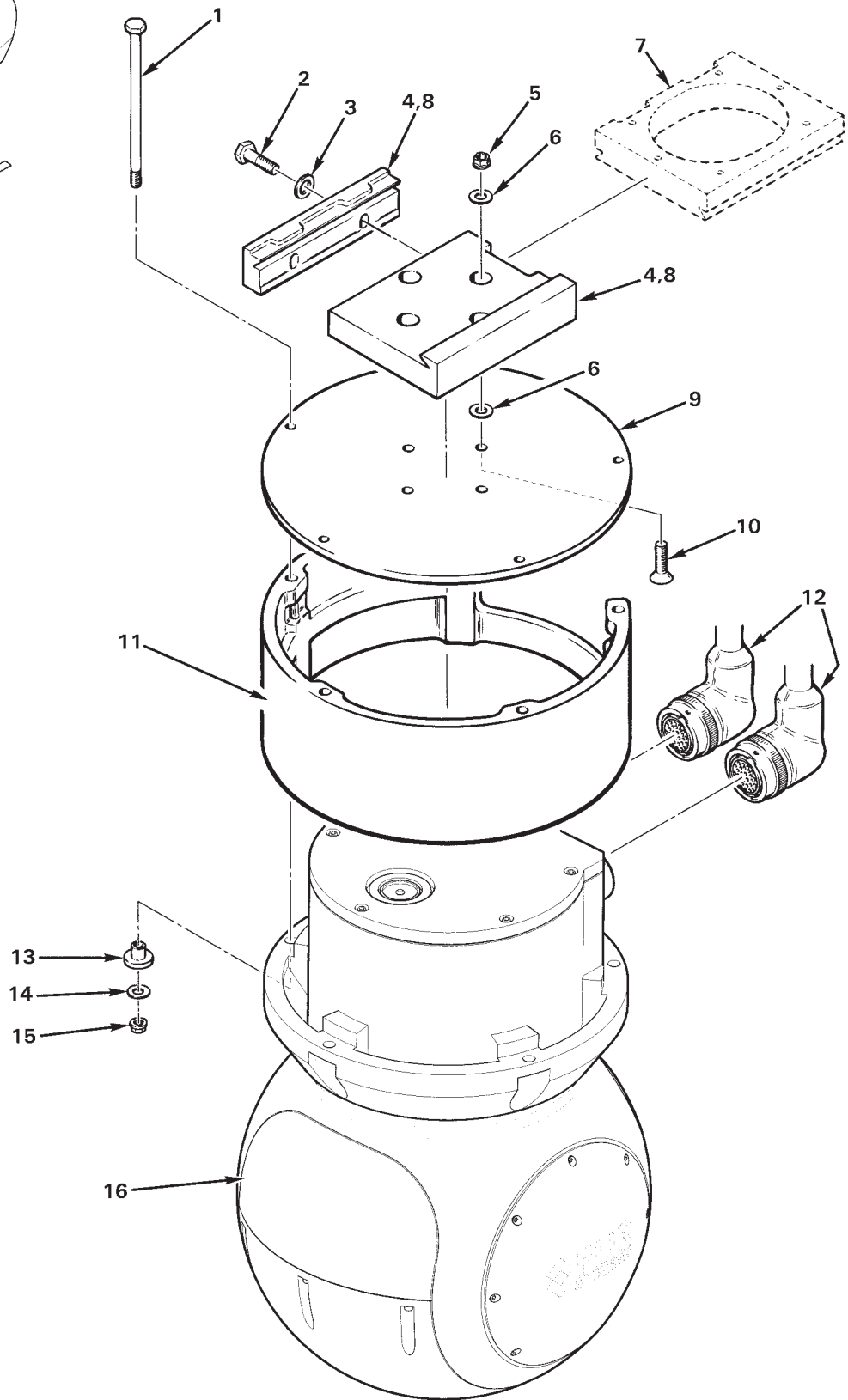
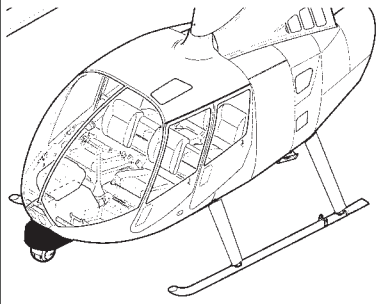


FIGURE AND INDEX NUMBER	PART NUMBER	DESCRIPTION	PARTS AVAIL	QTY PER ASSY
F051-1 CAMERA SYSTEM INSTALLATION – GIMBAL AND LOWER SUPPORT ASSEMBLY				
90-19-1	AN3-040A	Bolt	O	5
2	—	Bolt	O	2
3	—	Washer	O	2
4	IR-4100-1 *	Adapter Assembly	O	1
5	MS21042L4	Nut	X	4
6	NAS1149D0463P	Washer	O	8
7	D400-2	Block (Ref)		
8	IR-410*	Adapter Assembly – Gimbal Installation (Incl items 1 thru 6, 9 thru 11, and 13 thru 15)	X	1
9	IR-610-1*	Mount Plate	O	1
10	MS24693S297	Screw	O	4
11	IR-630-1*	Spacer	O	1
12	10349-104-1-C1**	Cable Pair (Ref)		
13	IR-620-1*	Bushing	O	5
14	NAS1149D0363J	Washer	O	5
15	MS21042L3	Nut	X	5
16	19205-201	Gimbal (Model U8000/U8500; Flir Systems, N. Billerica, MA)	X	1
<p>NOTES * Paravion Tech, Inc. part no. ** Inframetrics part no.</p>				

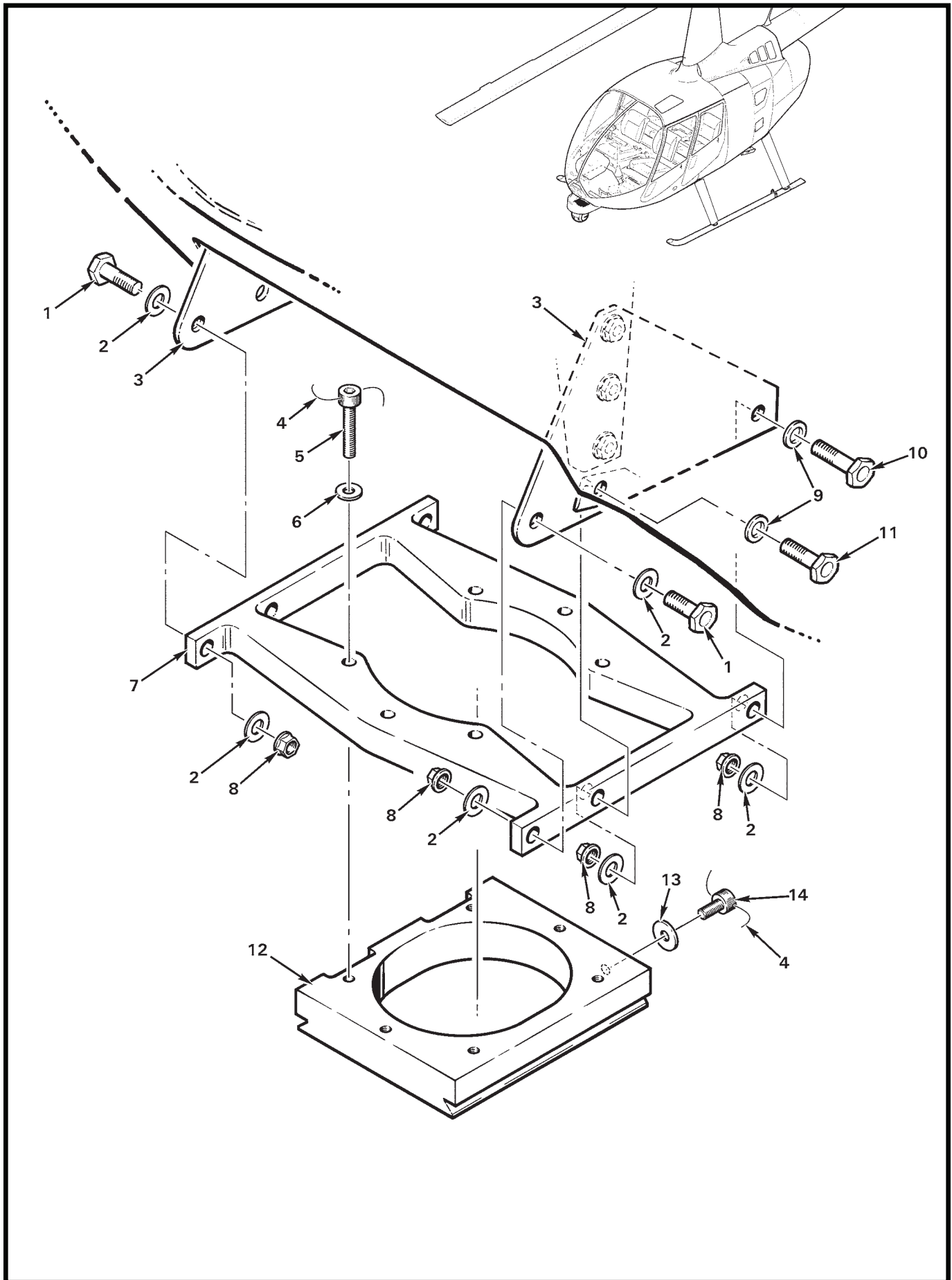


FIGURE AND INDEX NUMBER	PART NUMBER	DESCRIPTION	PARTS AVAIL	QTY PER ASSY
F051-1 CAMERA SYSTEM INSTALLATION – UPPER GIMBAL SUPPORT ASSEMBLY				
90-21-1	NAS6604-4	Bolt	X	2
2	NAS1149F0432P	Washer	X	8
3	D349-1	Support (Ref)		
4	MS20995C32	0.032 in. dia Safety Wire	X	A/R
5	NAS1352-3-16P	Screw	X	6
6	NAS1149F0332P	Washer	X	6
7	D349-3	Plate	X	1
8	MS21042L4	Nut	X	6
9	A141-11	Washer	X	4
10	NAS6604-7	Bolt	X	2
11	NAS6604-5	Bolt	X	2
12	D400-2	Block Assembly	X	1
13	A141-18	Washer	X	1
14	NAS1352-3-8P	Screw	X	1

NOTES

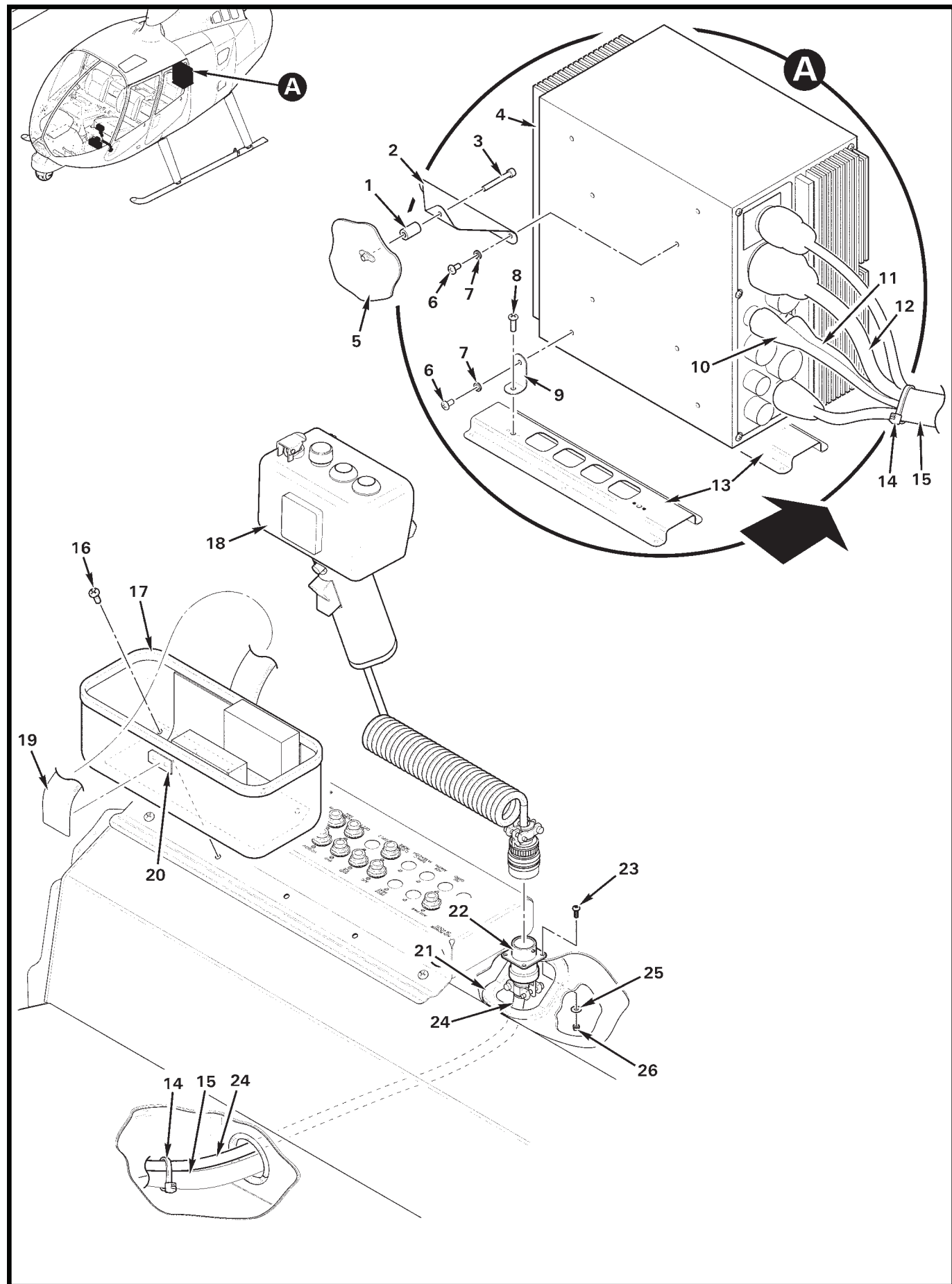


FIGURE AND INDEX NUMBER	PART NUMBER	DESCRIPTION	PARTS AVAIL	QTY PER ASSY
F051-1 CAMERA SYSTEM INSTALLATION – ELECTRONICS CONTROL UNIT & CONTROLLER ASSEMBLY				
90-23-1	A130-50	Spacer	O	1
2	G429-10	Support	X	1
3	NAS1352-08-16P	Screw	X	1
4	19206-2*	Flir Electronics Control Unit	O	1
5	F233-1	Firewall (Ref)		
6	MS27039C0805	Screw	X	4
7	B332-42	Lockwasher	X	4
8	MS27039C0806	Screw	X	2
9	D428-16	Bracket	X	2
10	G548-937	Cable (Ref)		
11	G548-1596	Cable (Ref)		
12	3202312KHA200	Cable (Ref)		
13	G429-1	Support Assembly	X	2
14	MS3367-5-0	Ty-Rap	X	A/R
15	G548-1	Wire Harness (Ref)		
16	MS27039C0807	Screw	X	3
17	D417-5	Box Installation	X	1
18	D616-1	Controller Assembly	X	1
19	B219-4	Strap Assembly (Ref)		
20	A913-2	Strip (Ref)		
21	A226-15	Trim	X	A/R
22	MS3120E12-105	Receptacle (Ref)		
23	MS35206-214	Screw	X	4
24	G548-8106	Cable (Ref)		
25	NAS1149FN416P	Washer	X	4
26	MS21042L04	Nut	X	4

NOTES * FLIR Part Number.

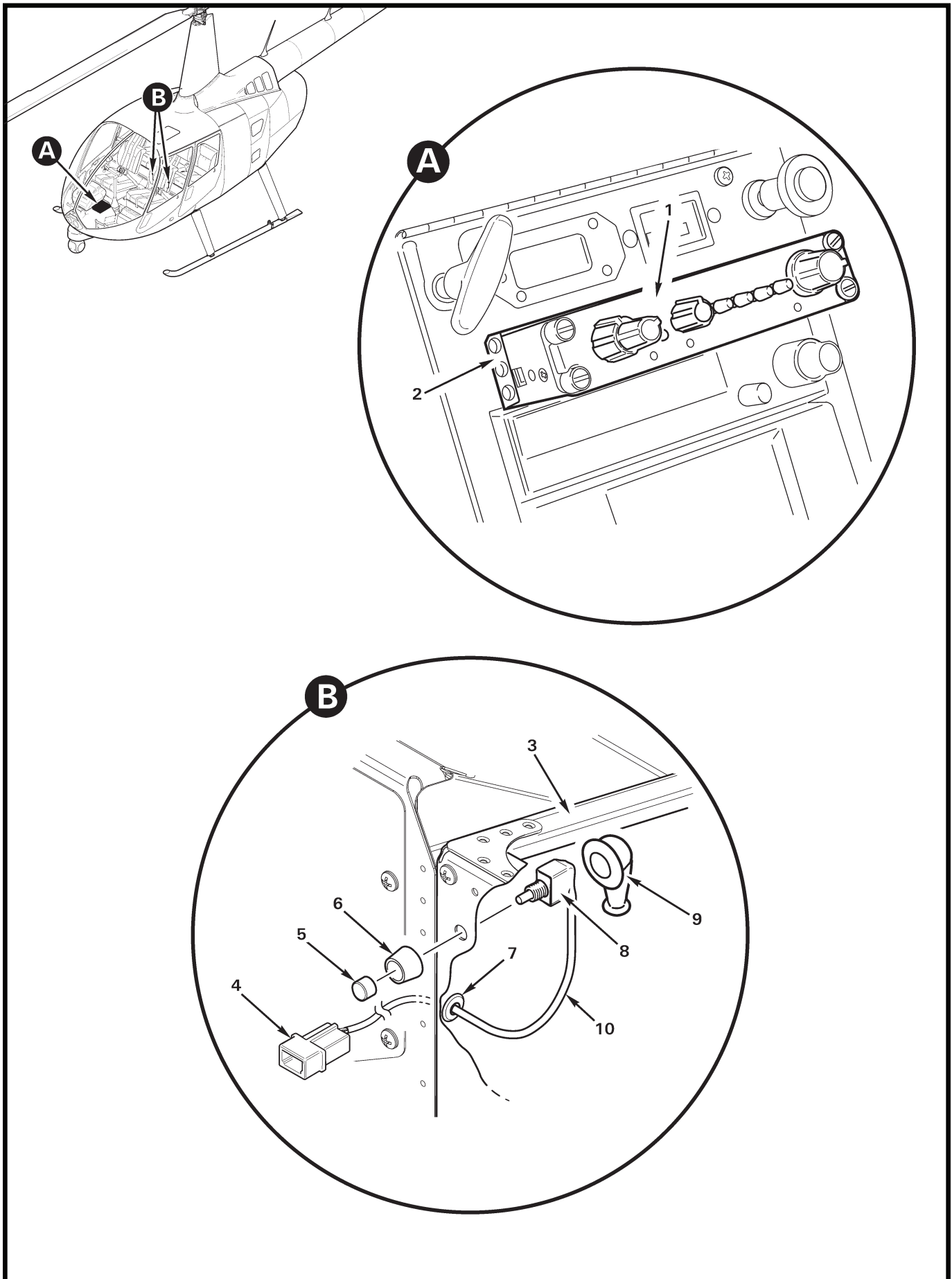


FIGURE AND INDEX NUMBER	PART NUMBER	DESCRIPTION	PARTS AVAIL	QTY PER ASSY
F060-2 INTERCOM SYSTEM INSTALLATION – AUDIO CONTROL				
90-25-1	AA12S-600	Audio Control	X	1
2	A917-2	Strip	X	2
3	F291-3	Support Assembly – Aft (Ref; LH)		
4	B263-12	Housing	X	1
	B263-1	Pin	X	1
5	—	Cap	O	1
6	—	Nut	O	1
7	MS35489-4	Grommet	X	1
8	C049-10	Harness Assembly – LH (Incl items 5 thru 8)	X	1
	C049-13	Harness Assembly – RH (Incl items 5 thru 8)	X	1
9	MS25171-1S	Nipple	X	1
10	B158-2	Heat Shrink	X	A/R
NOTES				

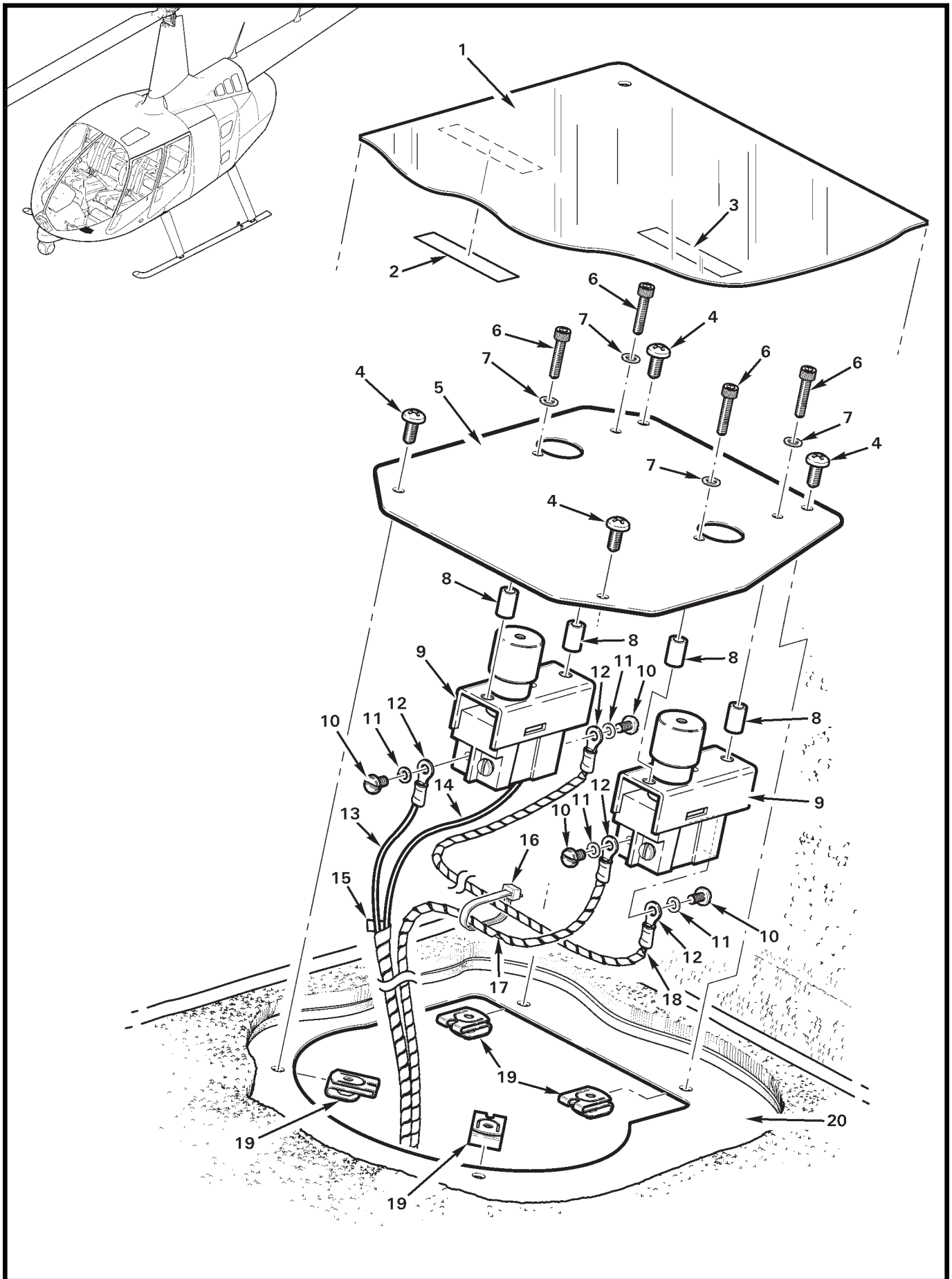


FIGURE AND INDEX NUMBER	PART NUMBER	DESCRIPTION	PARTS AVAIL	QTY PER ASSY
F060-2 INTERCOM SYSTEM INSTALLATION – FLOOR SWITCHES				
90-27-1	G469-1	Scuff Plate (Ref; LH)		
2	C654-30	Decal – “Intercom”	X	1
3	C654-31	Decal – “Transmit”	X	1
4	MS27039C0806	Screw	X	4
5	C797-1	Cover	X	1
6	NAS1351-06-12P	Screw	X	4
7	NAS620-6	Washer	X	4
8	A130-34	Spacer	X	4
9	A565-2	Switch – Foot (Incl items 10 and 11)	X	2
10	—	Screw	O	3
11	—	Lockwasher	O	3
12	B260-2	Terminal	X	5
13	F059-283	Wire (Ref)		
14	F059-284	Wire (Ref)		
15	B161-2	Spirap	X	A/R
16	MS3367-5-9	Ty-Rap	X	A/R
17	F060-686	Wire (Ref)		
18	F060-687	Wire (Ref)		
19	B162-3	Clipnut	X	4
20	F232-1	Panel – Floor (Ref; LH)		

NOTES

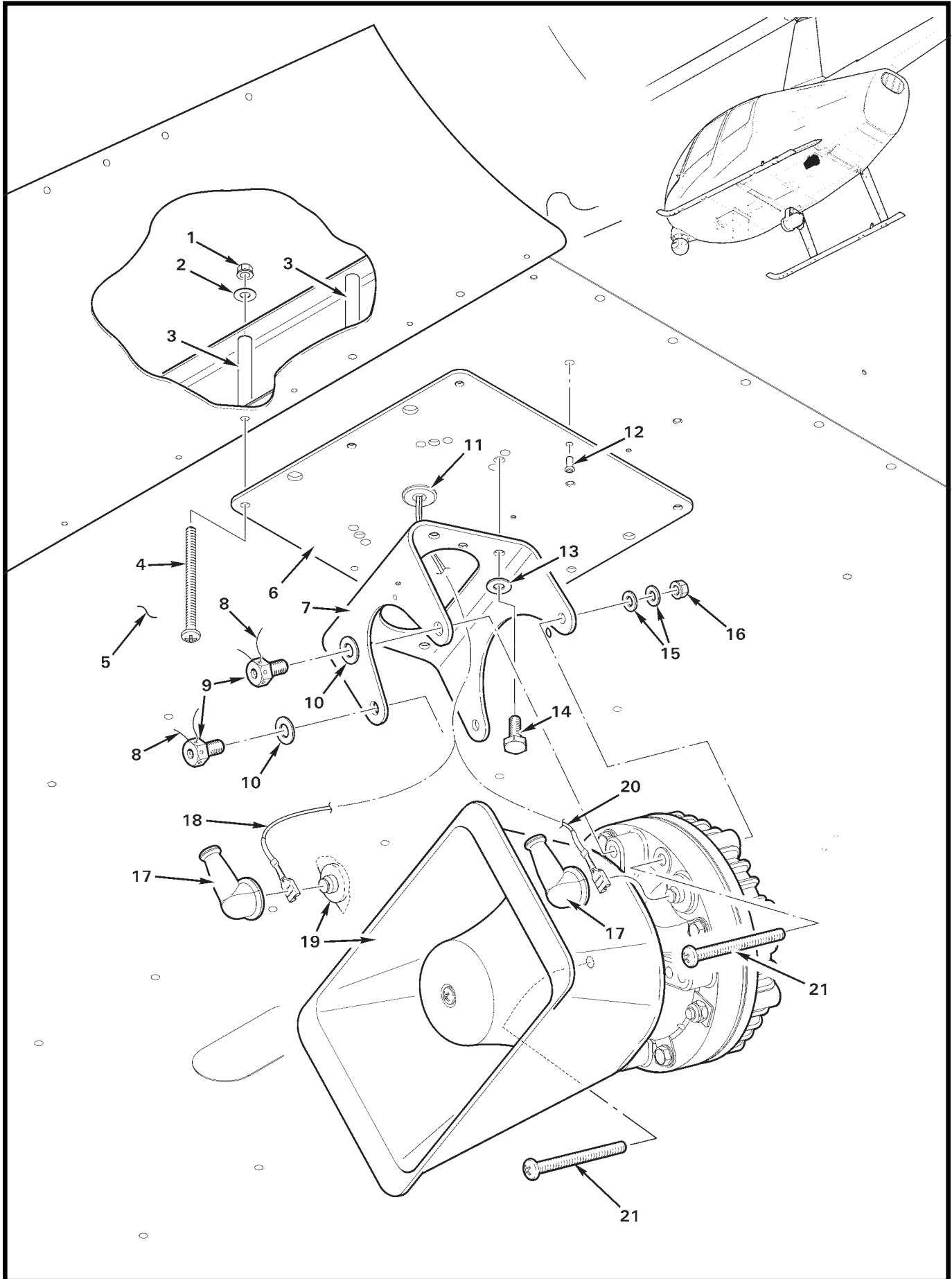


FIGURE AND INDEX NUMBER	PART NUMBER	DESCRIPTION	PARTS AVAIL	QTY PER ASSY
PA/SIREN SPEAKER INSTALLATION				
90-29-1	MS21042L08	Nut	X	6
2	NAS1149FN816P	Washer	X	6
3	C130-55	Spacer	X	6
4	MS27039C0835	Screw (outboard)	X	3
	MS27039C0834	Screw (inboard, not shown)	X	3
5	G917-1	Belly (Ref)		
6	F644-3	Plate Assembly	X	1
7	F644-1	Bracket	X	1
8	MS20995C32	0.032 in. dia Safety Wire	X	A/R
9	MS27004-04-03	Bolt	X	2
10	NAS1149F0432P	Washer	X	2
11	MS35489-35	Grommet	X	1
12	NAS9301B-4-02	Rivet	X	2
13	NAS1149F0332P	Washer	X	4
14	NAS6603-3	Bolt	X	4
15	NAS620-10L	Washer	X	4
16	MS21042L3	Nut	X	2
17	MS25171-1S	Nipple	X	2
18	—	Wire (white, no. 2344; Ref)		
19	SA340-TS	Speaker	X	1
20	—	Wire (black, no. 2345; Ref)		
21	NAS603-34P	Screw	X	2
NOTES				

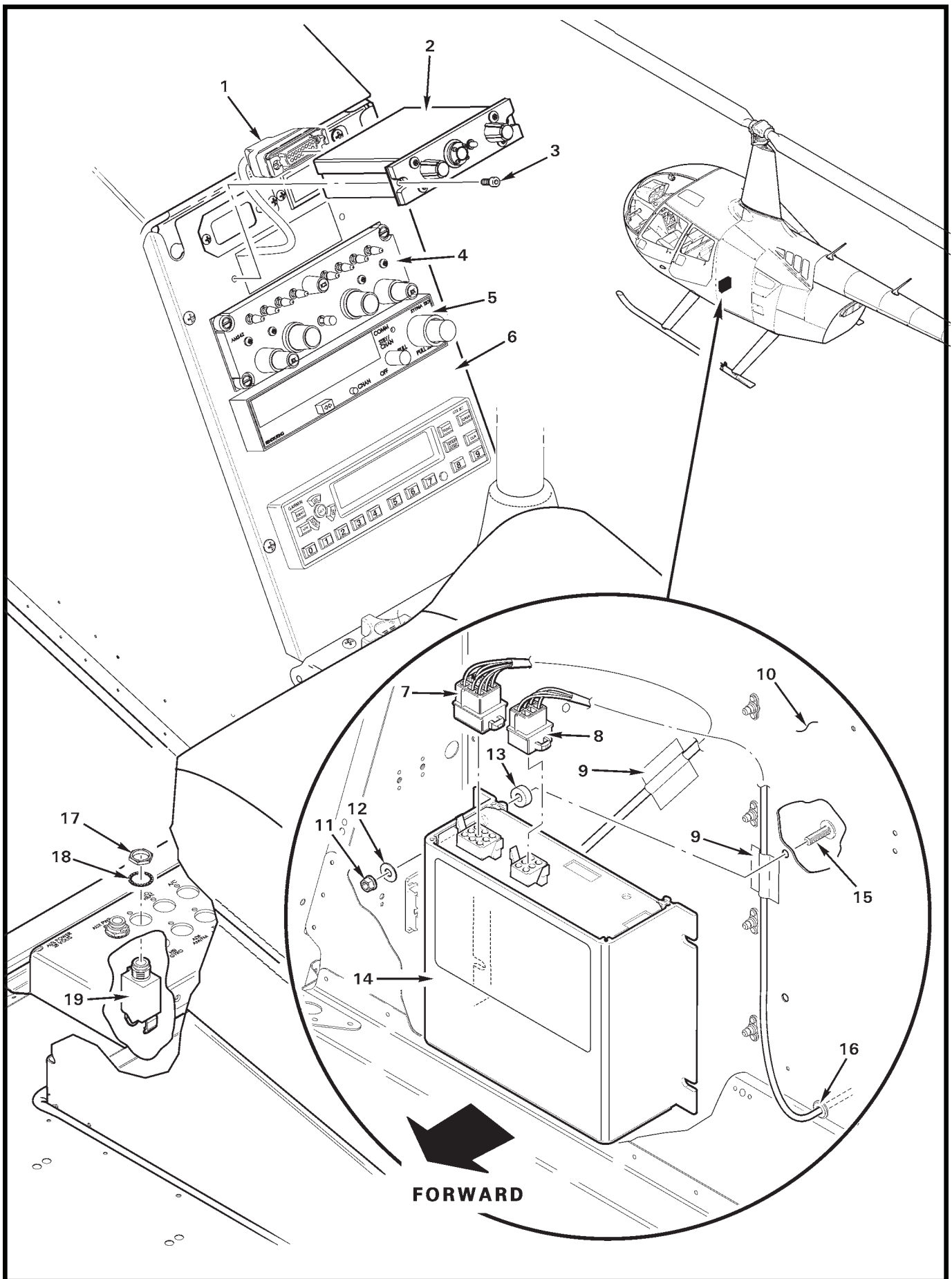


FIGURE AND INDEX NUMBER	PART NUMBER	DESCRIPTION	PARTS AVAIL	QTY PER ASSY
PA/SIREN SYSTEM COMPONENTS				
90-31-1	—	Connector (Ref)		
2	A687-2	PA/Siren Control	X	1
3	NAS1352-06-6	Screw	X	2
4	AMS42	Audio Control (dual; Ref)		
5	KY197	Com Transceiver (Bendix/King, Ref)		
6	G225	Face Assembly – Avionics (Ref)		
7	B263-20	Housing	X	1
	B263-1	Pin	X	6
8	B263-18	Housing	X	1
	B263-1	Pin	X	4
9	A701-1	Foil Tape	X	A/R
10	G259-1	Panel (Bulkhead; Ref)		
11	MS21042L08	Nut	X	3
12	NAS1149FN832P	Washer	X	3
13	A130-37	Spacer	X	3
14	BETA 124R	Amplifier	X	1
15	AN525-832R9	Screw	X	3
16	MS35489-5	Grommet	X	1
17	—	Nut	O	1
18	—	Lockwasher	O	1
19	B297-7	Circuit Breaker (7.5 amp; includes items 17 and 18)	X	1
NOTES				

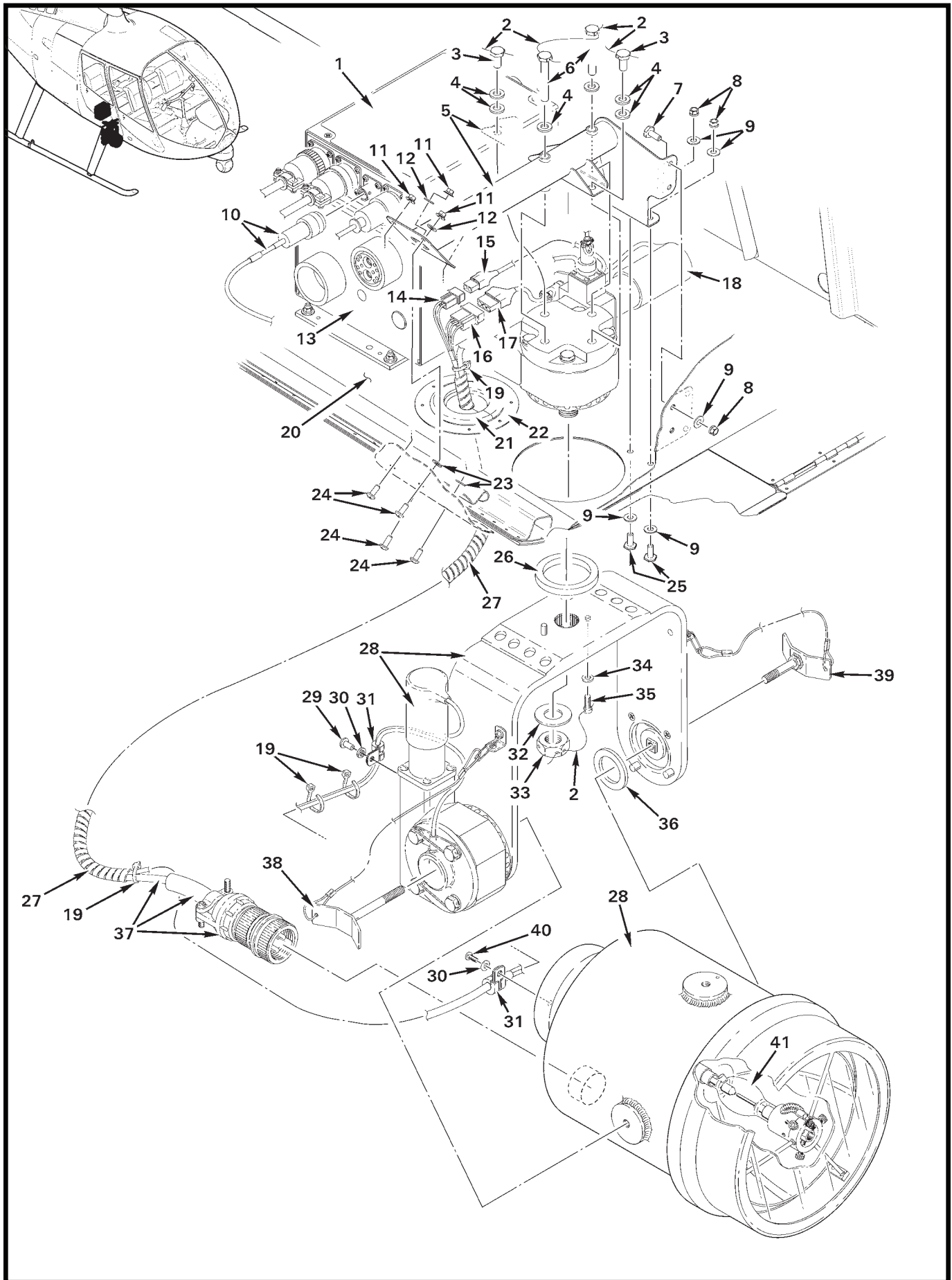


FIGURE AND INDEX NUMBER	PART NUMBER	DESCRIPTION	PARTS AVAIL	QTY PER ASSY
		F081 SEARCHLIGHT INSTALLATION – GIMBAL AND GEARMOTOR ASSEMBLIES		
90-33-1	U8-7102C	Slass ECU (Ref)		
2	MS20995C32	0.032 in. dia Safety Wire	X	A/R
3	NAS6604H2	Bolt	X	2
4	NAS1149F0463P	Washer	X	6
5	D401-7	Support Weldment	X	1
6	NAS6604H21	Bolt	X	2
7	NAS6603-2	Bolt	X	2
8	MS21042L3	Nut	X	4
9	NAS1149F0332P	Washer	X	6
10	D599-4	Harness Assembly (Ref)		
11	MS21042L08	Nut	X	4
12	NAS1149FN816P	Washer	X	2
13	032347	Junction Box (Ref)		
14	B263-32	Housing	X	1
	B263-1	Pin	X	2
15	B263-33	Housing	X	1
	B263-2	Socket	X	2
	B158-8	Heat Shrink	X	A/R
16	B263-34	Housing	X	1
	B263-1	Pin	X	3
17	B263-35	Housing	X	1
	B263-2	Socket	X	3
	B158-12	Heat Shrink	X	A/R
18	D432-2	Gearmotor (Incl items 15 and 17)	X	1
19	MS3367-4-9	Ty-Rap	X	4
20	D015-3	Skin (Ref)		
21	D402-1	Grommet	X	1
22	D564-1	Doubler (Ref)		
23	NAS1149FN832P	Washer (forward screws)	X	2
24	MS27039C0806	Screw	X	4
25	B238-1	Bolt	X	2
26	D405-4	Washer (0.25-inch felt, adhesive backed)	X	1
27	B161-8	Spirap	X	A/R
28	D432-1	Gimbal Assembly (slaved; includes items 14, 16, 19,26, 29 thru 31, 36, 40, and 41)	O	1

NOTES

Continues

FIGURE AND INDEX NUMBER	PART NUMBER	DESCRIPTION	PARTS AVAIL	QTY PER ASSY
F081 SEARCHLIGHT INSTALLATION – GIMBAL AND GEARMOTOR ASSEMBLIES (Cont'd)				
90-33-29	MS27039C1-06	Screw	X	1
30	B332-43	Lockwasher	X	1
31	MS21919WDG3	Clamp	X	2
32	MS15795-820	Washer	O	1
33	NAS509-10	Nut	O	1
34	—	Washer	O	1
35	MS51960-65	Screw	O	1
36	D405-6	Washer (0.12-inch felt, adhesive backed)	X	1
37	032435-210-36-14	Harness Assembly (Ref)		
38	017821-105	Wingbolt Assembly (long)	O	1
39	017821-101	Wingbolt Assembly (short)	O	1
40	MS35206-328	Screw	X	1
41	030060-1	Lamp (xenon, 500-watt)	X	1
NOTES				

Intentionally Blank

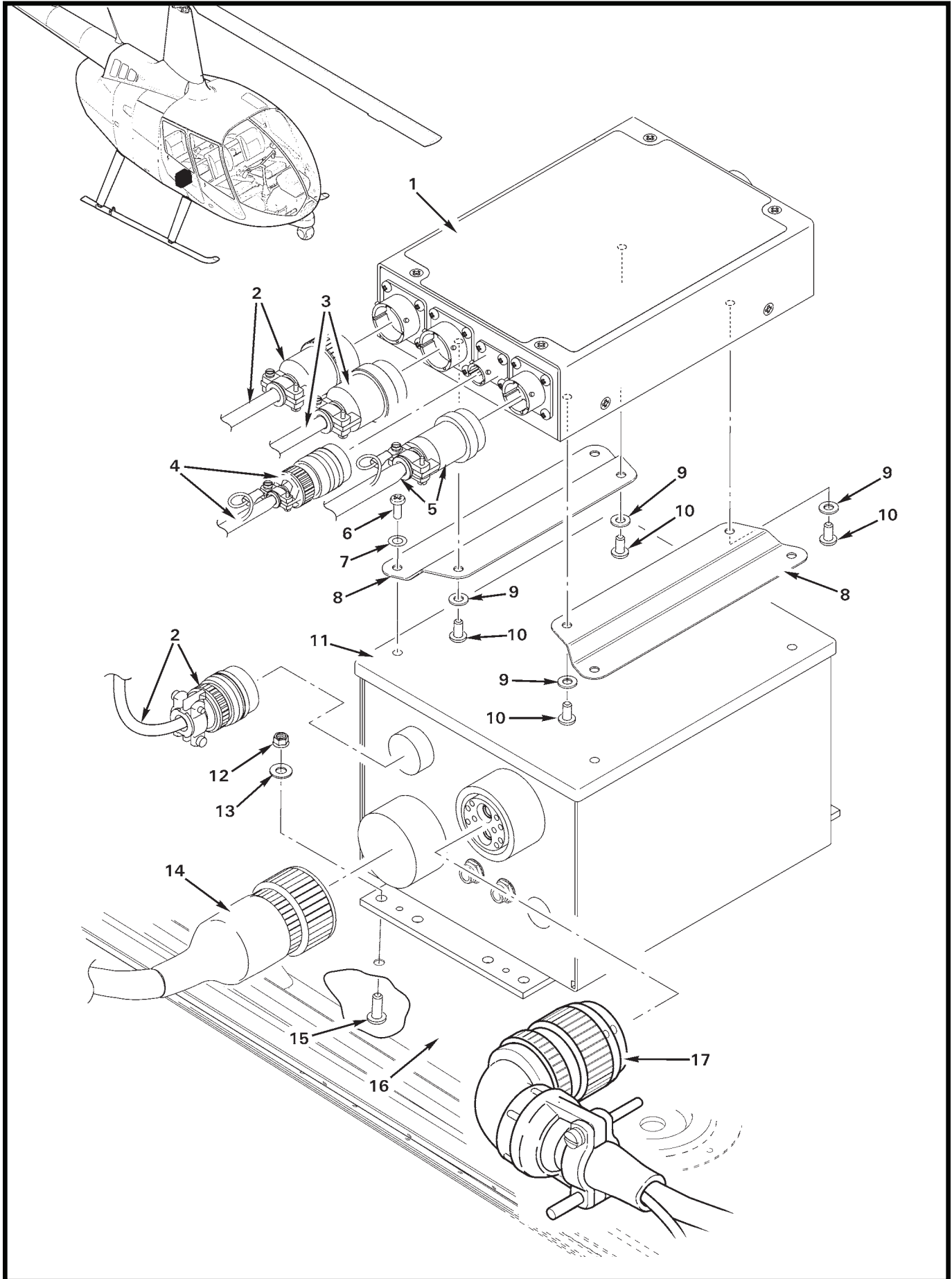


FIGURE AND INDEX NUMBER	PART NUMBER	DESCRIPTION	PARTS AVAIL	QTY PER ASSY
F081 SEARCHLIGHT INSTALLATION – SLASS ECU AND JUNCTION BOX ASSEMBLY				
90-37-1	U8-7102C	Slass ECU	X	1
2	D599-15	Harness Assembly (Ref, to item 11)	X	1
3	D599-13	Harness Assembly (Ref, to D426-3 Control)	X	1
4	D599-4	Harness Assembly (Ref, to AZ/ELEV Control)	X	1
5	D599-12	Harness Assembly (Ref, to FLIR)	X	1
6	—	Screw (included with item 11)	O	4
7	—	Washer (included with item 11)	O	4
8	G429-9	Support	X	2
9	NAS1149FN832P	Washer	X	4
10	MS27039C0805	Screw	X	4
11	032347	Junction Box Assembly (Ref)		
12	MS21042L3	Nut	X	4
13	NAS1149F0332P	Washer	X	4
14	—	Harness Assembly (Ref, to forward junction box assembly)		
15	MS27039C1-08	Screw	X	4
16	F015-3	Panel (Ref)		
17	032435-201-36-14	Harness Assembly (Ref, to searchlight gimbal)		
NOTES				

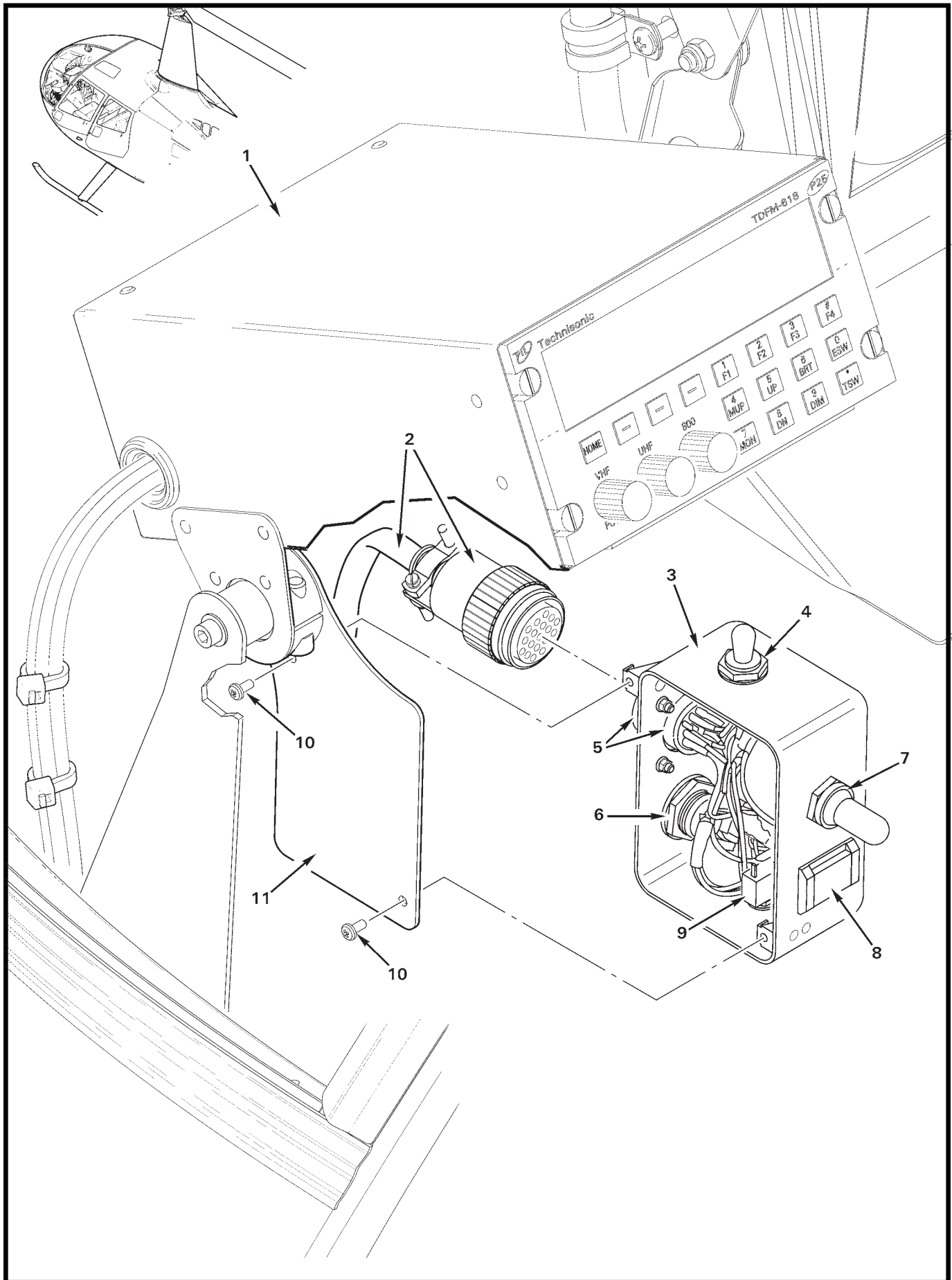


FIGURE AND INDEX NUMBER	PART NUMBER	DESCRIPTION	PARTS AVAIL	QTY PER ASSY
F081 SEARCHLIGHT INSTALLATION – CONTROL ASSEMBLY				
90-39-1	—	Transceiver (Ref)		
2	D599-13	Harness Assembly (Ref)		
3	D426-5	Control Assembly – Searchlight (Incl items 4 thru 9)	X	1
4	M-2027BB1W01-RA	Switch (on-off / start)	X	1
	B158-1	Heat Shrink	X	A/R
5	MS3112E14-9	Receptacle	X	1
	B158-1	Heat Shrink	X	A/R
6	PB-346112E	Switch (focus)	X	1
7	91MOT-B-E	Switch (joystick)	X	1
8	UB-15NBKW01E-JE	Switch (slave)	X	1
	B158-1	Heat Shrink	X	A/R
9	MB-2411S1W01-FB	Switch (calibrate)	X	1
	B158-1	Heat Shrink	X	A/R
	AT512CH	Conical Nut (not shown)	X	1
10	MS35206-227	Screw	X	2
11	D410-9	Support (Ref)		

NOTES

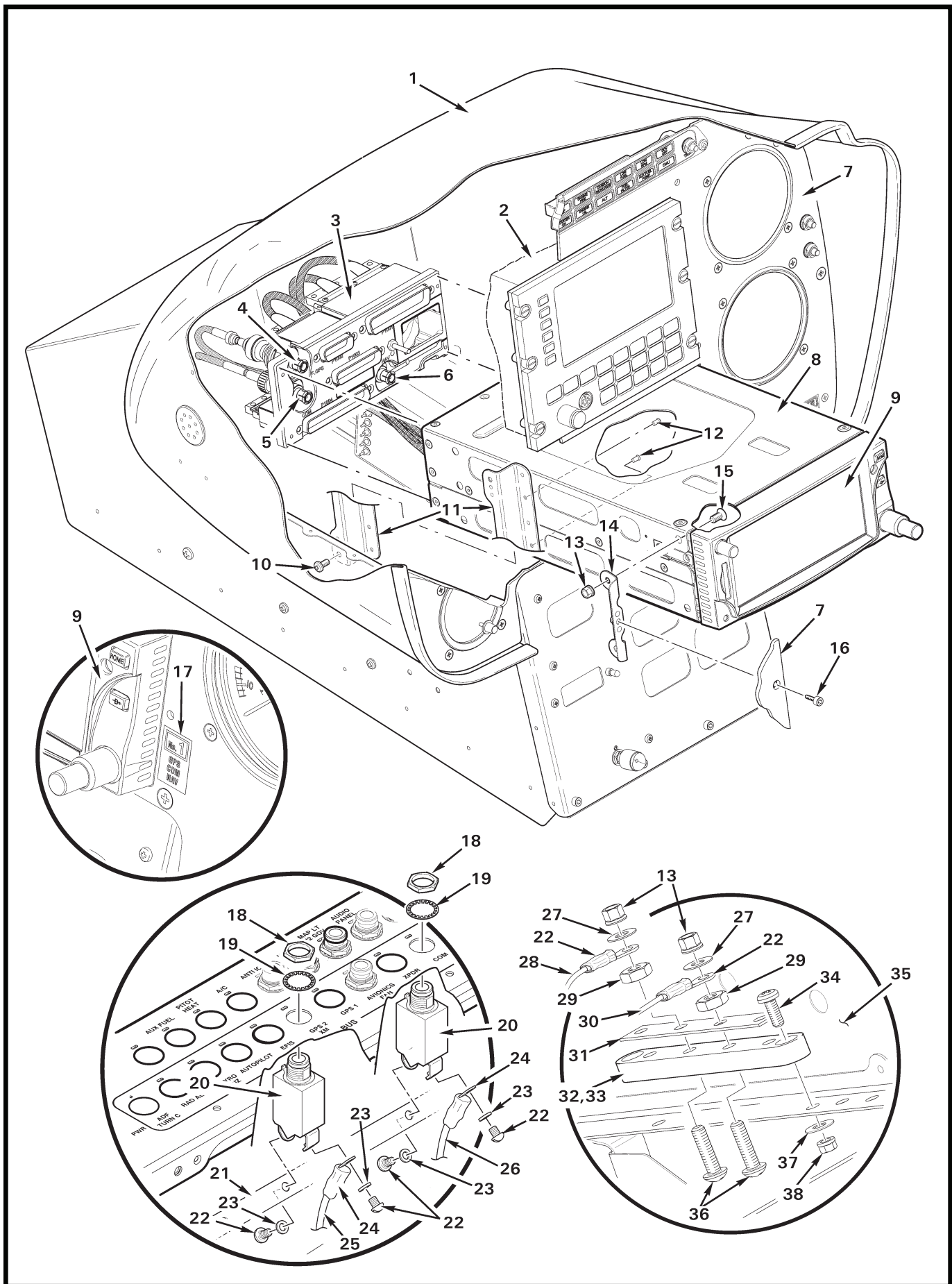


FIGURE AND INDEX NUMBER	PART NUMBER	DESCRIPTION	PARTS AVAIL	QTY PER ASSY
		F818 GTN 6XX-SERIES GPS/NAV/COM INSTALLATION (G070 CONSOLE)		
90-39B-1	G070	Console Assembly (Ref)		
2	TDFM-9000	Transceiver (FM, Ref)		
3	011-02325-0X*	Connector Kit (P1001 thru P1004, Ref)		
4	330-00053-02*	Connector (GPS, BNC/TNC; Ref)		
5	330-00053-01*	Connector (COM, BNC; Ref)		
6	330-00053-01*	Connector (NAV, BNC; Ref)		
7	G075	Face (Ref)		
8	115-01293-00*	Mounting Rack (Ref)		
9	GTN 650Xi*	Transceiver (GPS/COM/NAV)	X	1
10	MS35206-227	Screw	X	5
11	A356-10	Stiffener Assembly	X	2
12	NAS1097AD3	Rivet	X	4
13	MS21042L08	Nut	X	6
14	A356-9	Angle Assembly	X	2
15	MS24694-S2	Screw	X	4
16	NAS1352-06-6	Screw	X	2
17	F654-39	Decal – “No. 1/2/3, GPS COM NAV”	X	1
18	—	Nut	O	1
19	—	Lockwasher	O	1
20	B297-5	Circuit Breaker (5 amp; includes items 18, 19, 22, and 23) . .	X	2
21	A448	Bus Bar (Ref)		
22	—	Screw	O	1
23	—	Lockwasher	O	1
24	B260-3	Terminal	X	2
25	-466	Wire (Ref, GPS 1)		
	-1426	Wire (Ref, GPS 2)		
26	-200	Wire (Ref, COM 1)		
	-703	Wire (Ref, COM 2)		
27	NAS1149FN816P	Washer	X	2
28	-465	Wire (Ref, GPS 1)		
	-1427	Wire (Ref, GPS 2)		
29	B301-8	Nut	X	2
30	-201	Wire (Ref, COM 1)		
	-704	Wire (Ref, COM 2)		
31	A448-10	Bus Bar (4 holes)	X	1

NOTES * Garmin part no.

Continues

FIGURE AND INDEX NUMBER	PART NUMBER	DESCRIPTION	PARTS AVAIL	QTY PER ASSY
F818 GTN 6XX-SERIES GPS/NAV/COM INSTALLATION (G070 CONSOLE) (Cont'd)				
90-39B-32	C448-2	Terminal Block Assembly (Incl items 29, 31, 33, and 35)	X	1
33	C448-5	Block (4 holes)	X	1
34	MS35206-228	Screw	X	2
35	F033-1	Console Assembly – Lower (Ref)		
36	B567-43	Screw	X	2
37	NAS1149FN616P	Washer	X	2
38	MS21042L06	Nut	X	2
NOTES				

Intentionally Blank

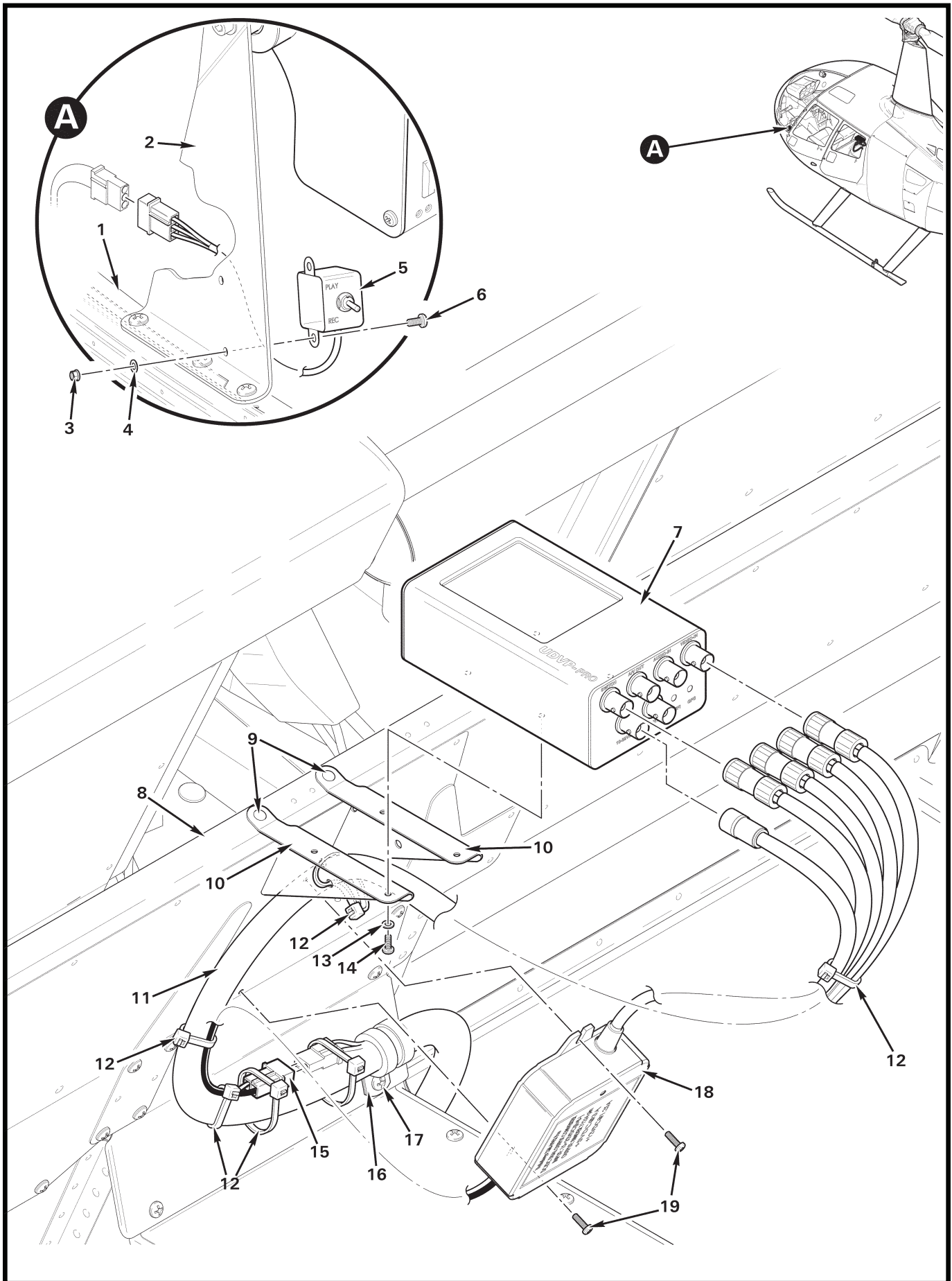


FIGURE AND INDEX NUMBER	PART NUMBER	DESCRIPTION	PARTS AVAIL	QTY PER ASSY
G415-1 DVR INSTALLATION (OPTIONAL)				
90-41-1	F090-1	Frame (Ref)		
2	D407-17	Brace (Ref)		
3	MS21042L06	Nut	X	2
4	NAS620-6L	Washer	X	2
5	D565-12	Switch Assembly	X	1
6	MS35206-227	Screw	X	2
7	UDVP-PRO	DVR (Datatoys)	X	1
8	F383-4	Channel (Ref)		
9	MS20470AD4	Rivet	X	4
10	D856-5	Bracket	X	2
11	G458-1	Harness Assembly (Ref)		
12	MS3367-5-0	Ty-rap	X	A/R
13	B332-40	Washer	X	4
14	MS35206-214	Screw	X	4
15	B263-32	Housing	X	1
	B263-1	Pin	X	2
16	MS21919WDG*	Clamp	X	1
17	MS27039C0807	Screw	X	1
18	XM-DVR-PRO	Converter	X	1
19	MS35206-215	Screw	X	2

NOTES

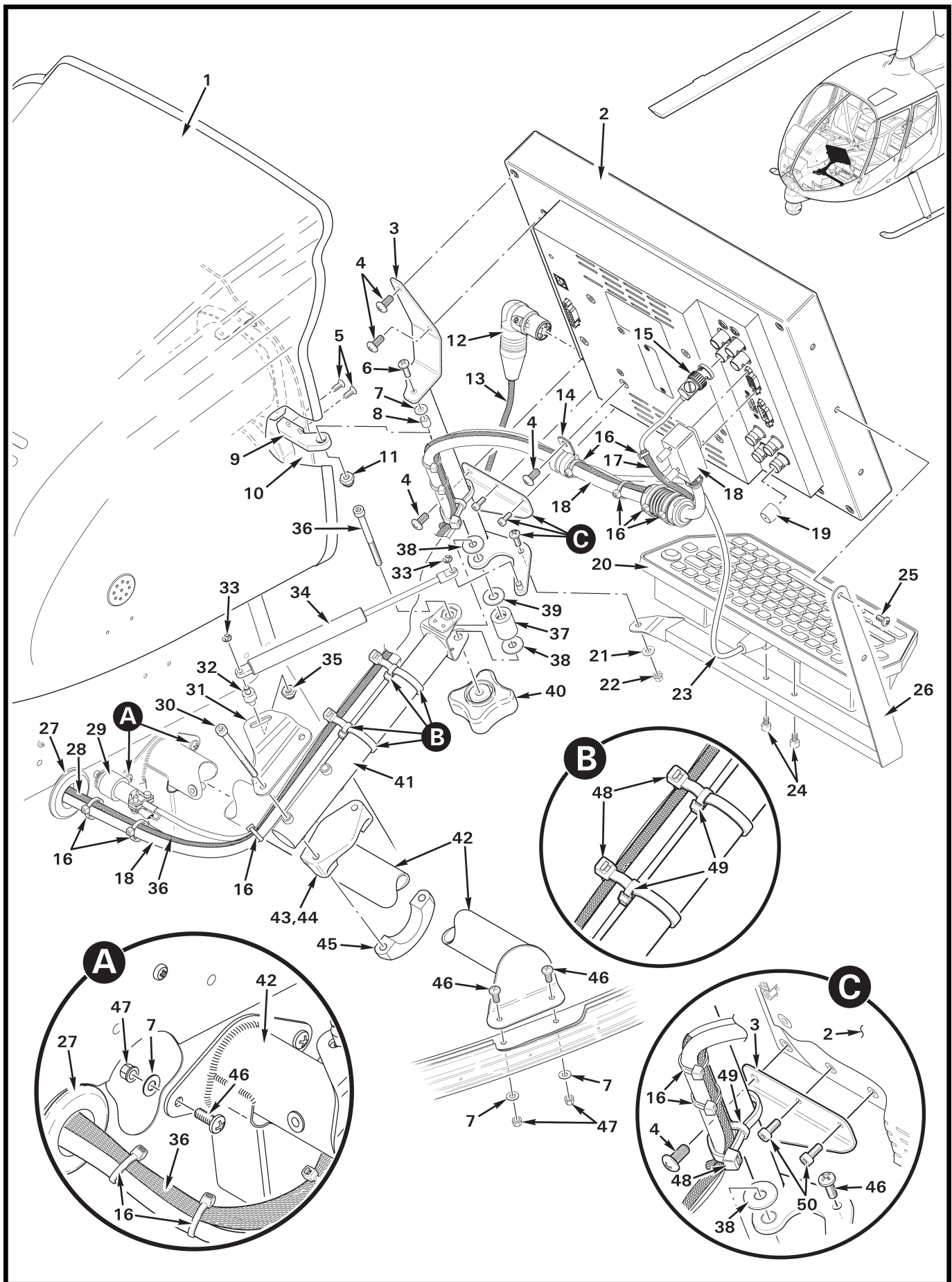


FIGURE AND INDEX NUMBER	PART NUMBER	DESCRIPTION	PARTS AVAIL	QTY PER ASSY
G416-5 MONITOR INSTALLATION				
90-43-1	G070	Console Assembly (Ref)		
2	BHB12HDR15*	Monitor	X	1
3	G417-5	Pivot Assembly	X	1
4	MS27039C1-06	Screw	X	4
5	MS35206-228	Screw	X	2
6	MS27039C0808	Screw	X	1
7	NAS1149FN816P	Washer	X	5
8	A105-5	Journal	X	1
9	G418-26	Block Assembly	X	1
10	G075	Face (Ref)		
11	B340-4	Nut	X	1
12	NC4FRX	Plug	X	1
13	B266-4	Sleeving	X	A/R
14	MS21919WDG6	Clamp	X	1
15	112588	Plug	X	1
	B158-3	Heat Shrink	X	A/R
	G458-937	Wire (video 1, Ref)		
16	MS3367-4-0	Ty-Rap	X	A/R
17	B226-8	Sleeving	X	A/R
18	P502-006-RA	Cable	X	1
19	—	Cap (Ref)		
20	D210-6	Keyboard Assembly	X	1
21	NAS1149FN816P	Washer	X	A/R
22	B340-4	Dress Nut	X	1
23	—	Cord (Ref)		
24	NAS1352-08-4P	Screw	X	2
25	MS27039C1-06	Screw	X	2
26	G417-7	Tray Weldment	X	2
27	MS35489-22	Grommet	X	1
28	B266-12	Sleeving	X	A/R
29	MS3116F8-4P	Plug (Ref)		
30	91251A355	Screw	X	2
31	G418-25	Support	X	1
32	G418-3	Stud	X	1
33	MS16633-2015	Ring	X	2

NOTES * Boland part number.

Continues

FIGURE AND INDEX NUMBER	PART NUMBER	DESCRIPTION	PARTS AVAIL	QTY PER ASSY
G416-5 MONITOR INSTALLATION (Cont'd)				
90-43-34	9417K4	Gas Spring (McMaster-Carr part number, 20 lb)	X	1
35	B340-8	Nut	X	1
36	MS20074-04-13	Bolt	X	1
37	G418-17	Tube	X	1
38	A141-7	Washer	X	2
39	A141-45	Washer	X	1
40	2454K28	Knob (hand tight)	X	1
41	G418-6	Support Assembly	X	1
42	G705-9	Support Assembly	X	1
43	B630-1	Clamp Assembly (Incl items 44 and 45)	X	1
44	B630-3	Clamp	X	1
45	B630-2	Clamp Assembly	X	1
46	MS27039C0806	Screw	X	4
47	MS21042L08	Nut	X	4
48	MS3367-7-0	Ty-Rap	X	2
49	MS3367-5-0	Ty-Rap	X	2
50	91290A111	Screw	X	2
NOTES				

Intentionally Blank

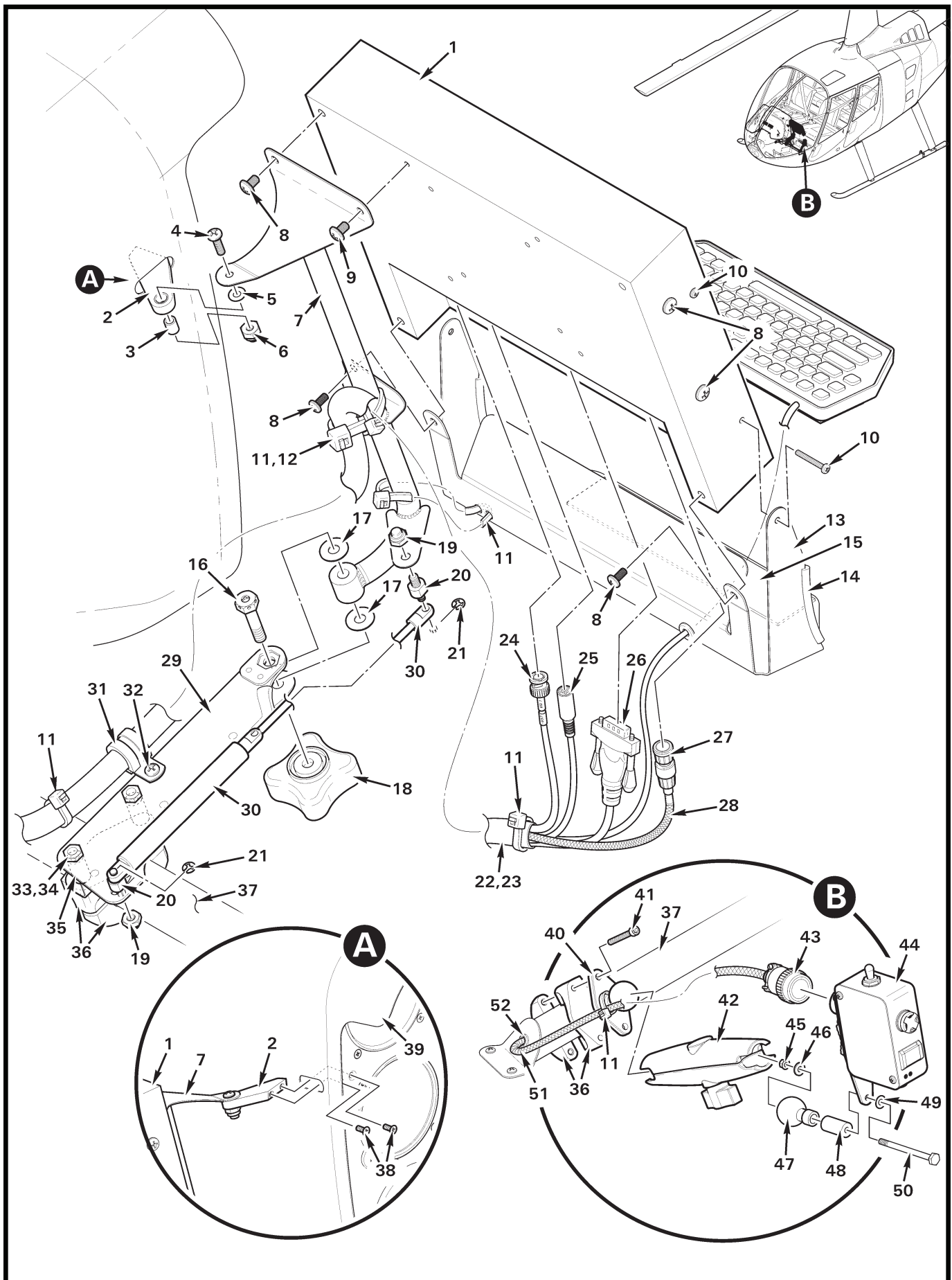


FIGURE AND INDEX NUMBER	PART NUMBER	DESCRIPTION	PARTS AVAIL	QTY PER ASSY
G416-4 MONITOR INSTALLATION				
90-45B-1	DVI 10LDB_RH*	Monitor	O	1
2	G417-3	Block Assembly	X	1
3	A105-5	Journal	X	1
4	MS27039C0808	Screw	X	1
5	NAS1149FN816P	Washer (between journal and weldment)	X	1
6	B340-4	Nut	X	1
7	G417-1	Pivot Assembly	X	1
8	MS27039C1-04	Screw	X	6
9	90116A205	Screw	X	1
10	MS35206-226	Screw	X	4
11	MS3367-5-0	Ty-Rap	X	A/R
12	MS3367-7-0	Ty-Rap	X	A/R
13	G417-4	Tray Assembly	X	1
14	A226-11	Trim	X	A/R
15	B175-11	Hook Tape	X	A/R
16	MS20074-04-10	Bolt	X	1
17	A141-7	Washer (each side of pivot assembly)	X	2
18	2454K28	Knob (hand tight)	X	1
19	B340-8	Nut	X	2
20	G418-3	Stud	X	2
21	MS16633-2015	Ring	X	2
22	G458	Harness Assembly (Ref; Police)		
23	B226-8	Sleeving	X	A/R
24	-937	Wire (Ref)		
	2065-11-9	BNC Plug	X	1
	B158-3	Heat Shrink	X	A/R
25	F8V308-12	S-VIDEO Cable	X	1
26	F2N028-02-GLD	Cable (receptacle end)	X	1
27	-882	Wire (Ref)		
	-936	Wire (Ref)		
	16282-2PG-311	Plug	X	1
	B158-01	Heat Shrink	X	A/R
28	B266-4	Sleeving	X	A/R
29	G417-2	Support Assembly	X	1
30	9417K421	Gas Spring	X	1

NOTES * Boland part number.

Continues

FIGURE AND INDEX NUMBER	PART NUMBER	DESCRIPTION	PARTS AVAIL	QTY PER ASSY
G416-4 MONITOR INSTALLATION (Cont'd)				
90-45B-31	MS21919WDG8	Clamp	X	1
32	MS27039C0806	Screw	X	1
33	NAS6603-25	Bolt	X	2
34	NAS1149F0316P	Washer	X	2
35	A130-59	Spacer	X	2
36	B630-1	Clamp Assembly	X	1
37	G703-8	Support (Ref)		
38	MS24693-26	Screw	X	2
39	G060-4	Console (Ref)		
40	RAM-B-238	Mount	X	1
41	NAS1351-3-24	Screw	X	2
42	RAM-B-201-C	Arm	X	1
43	MS3116F14-19S	Plug (D599-13 harness)	X	1
	MS3116F12-10S	Plug (D599-14 harness)	X	1
44	D426-9	Searchlight Control (slaved to camera)	X	1
	D426-10	Searchlight Control (manual)	X	1
45	D210-3	Nut	X	1
46	NAS1149F0363P	Washer (between mount and nut)	X	1
47	RAM-B-367	Mount	X	1
48	G429-17	Spacer	X	1
49	NAS1149F0316P	Washer (between bolt and plate)	X	1
50	NAS6603-36	Bolt	X	1
51	D599-13	Harness (slave, includes item 43)	X	1
	D599-14	Harness (manual, includes item 43)	X	1
52	MS35489-9	Grommet	X	1

NOTES

Intentionally Blank

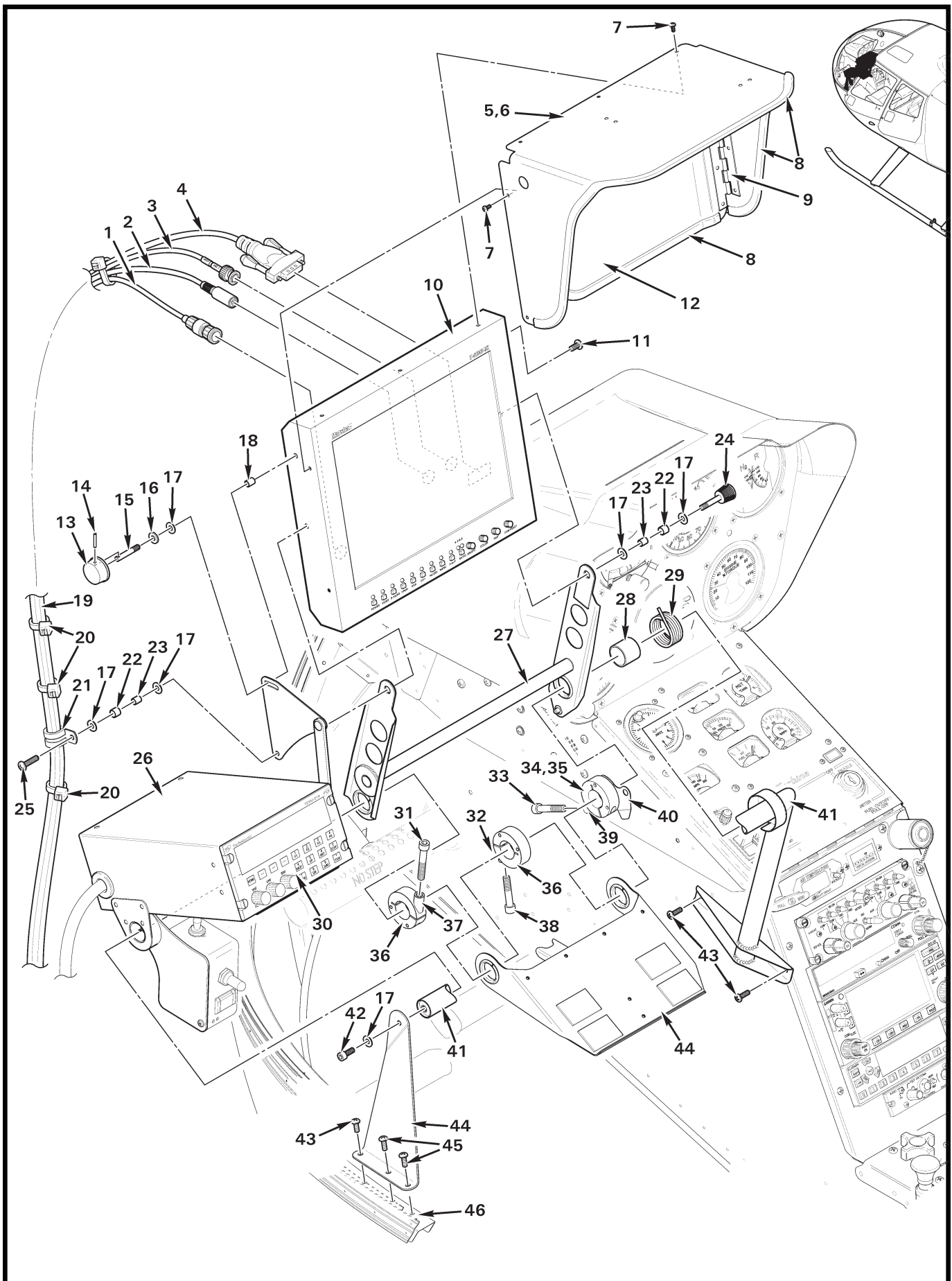


FIGURE AND INDEX NUMBER	PART NUMBER	DESCRIPTION	PARTS AVAIL	QTY PER ASSY
G416-1 MONITOR INSTALLATION				
90-47-1	16282-2PG	Plug (Ref)		
2	F8V308-1	S-Video Cable (Ref)		
3	2065-11-9	BNC Plug (Ref)		
4	F2N08-6-GLD	Cable (Ref)		
5	D763-3	Visor Assembly (Incl items 6, 8, 9, and 12)	X	1
6	D764-2	Visor	X	1
7	MS35206-225	Screw	X	7
8	A226-11	Trim	X	A/R
9	D694-4	Hinge	X	1
10	V-R1041-RH	Monitor (Ref; Marshall 10.4 inch)		
11	MS27039C1-06	Screw	X	1
12	D765-2	Screen	X	1
13	A483-1	Knob	X	1
14	MS16562-27	Spring Pin	X	1
15	D407-13	Shaft	X	1
16	NAS1149F0363P	Washer	X	1
17	NAS1149F0332P	Washer	X	6
18	A130-25	Spacer	X	1
19	G458-1	Harness Assembly (Ref)		
20	MS3367-5-0	Ty-Rap	X	A/R
21	MS21919WDG8	Clamp	X	1
22	04DU04	Bearing	X	2
23	A105-9	Journal	X	2
24	DK-225	Knob	X	1
25	MS27039C1-12	Screw	X	1
26	G413-1	Box Assembly (Ref, see Figure 90-7)		
27	D409-8	Pivot Assembly	X	1
28	D410-5	Tube	X	1
29	D410-6	Spring	X	1
30	TDFM-600	Transceiver (Ref; see Figure 90-7)		
31	NAS1351-4-24	Screw	X	1
32	C130-57	Spacer	X	1
33	NAS1351-4-24	Screw	X	1
34	D445-1	Collar Assembly (Incl items 33, 35, 39, and 40)	X	1
35	D410-3	Collar	X	1

NOTES

Continues

FIGURE AND INDEX NUMBER	PART NUMBER	DESCRIPTION	PARTS AVAIL	QTY PER ASSY
G416-1 MONITOR INSTALLATION (Cont'd)				
90-47-36	D410-3	Screw	X	1
37	C130-34	Spacer	X	1
38	NAS1351-4-20	Screw	X	1
39	C130-34	Spacer	X	2
40	D410-2	Arm	X	1
41	D406-9	Support Assembly	X	1
42	NAS1352-3-8	Screw	X	1
43	MS27039C0806	Screw	X	3
44	D609-4	Tray Assembly (Ref)		
45	MS27039C0807	Screw	X	2
46	F090-1	Frame (Ref)		
NOTES				

Intentionally Blank

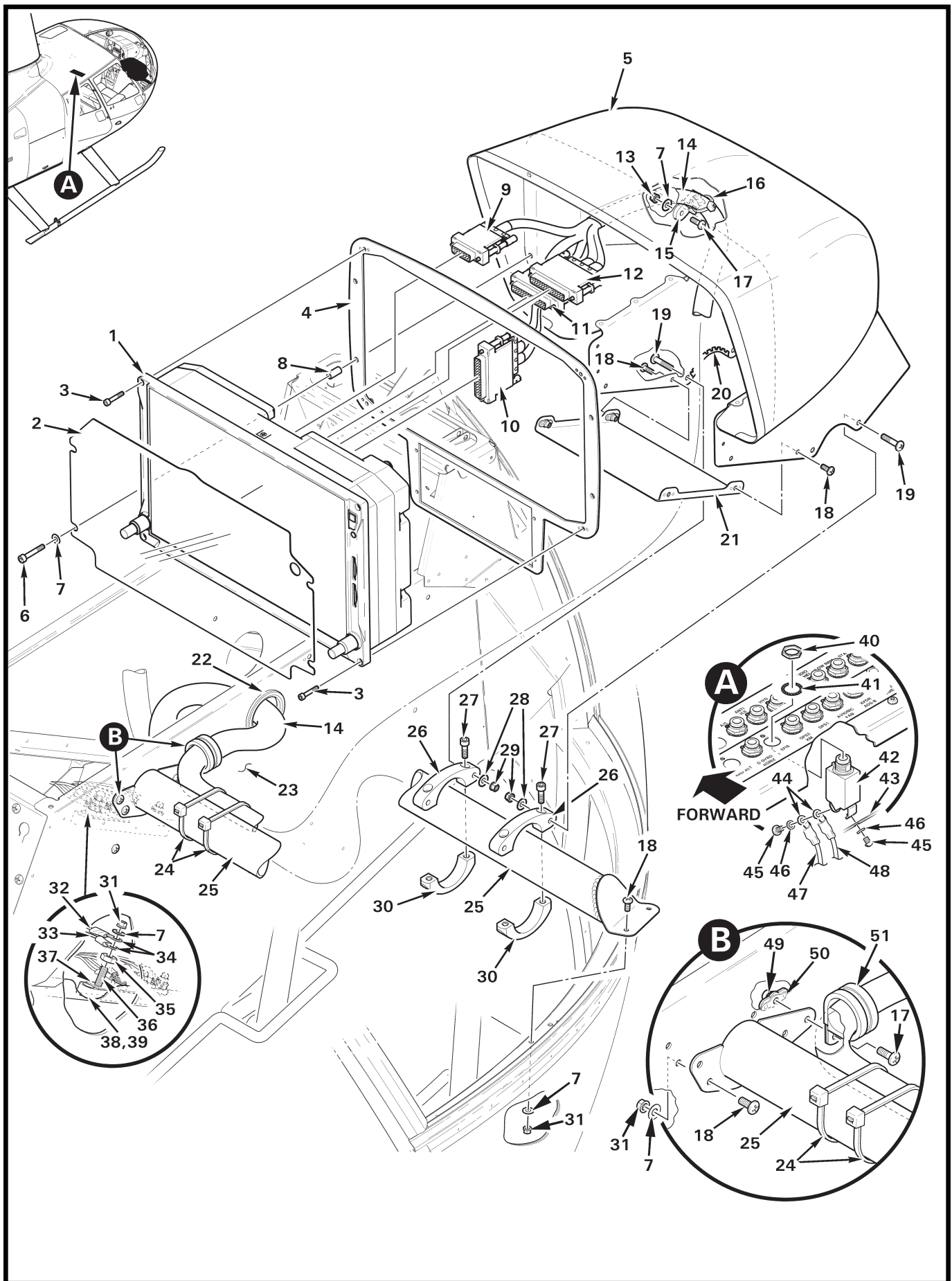


FIGURE AND INDEX NUMBER	PART NUMBER	DESCRIPTION	PARTS AVAIL	QTY PER ASSY
		PILOT'S SIDE CONSOLE – GDU 1060 TXi DISPLAY		
90-51-1	GDU 1060 TXi*	Display (PFD and MFD; includes items 3, and 9 thru 12)	X	1
2	D327-5	Shield	X	1
3	211-64307-14*	Screw (or NAS1352-06-16)	O	4
4	G413-7	Face Assembly	X	1
5	G071-10	Console Assembly	X	1
6	NAS1352-08-16	Screw	X	4
7	NAS1149FN816P	Washer	X	1
8	C130-63	Spacer	X	4
9	—	Connector (Ref; "J1")		
10	—	Connector (Ref; "J3")		
11	—	Connector (Ref; "J4")		
12	—	Connector (Ref; "J2")		
13	MS21042L08	Nut	X	6
14	F816-3	Harness Assembly (Incl items 9 thru 12)	X	1
15	D268-1	Support	X	1
16	MS3367-5-0	Ty-Rap	X	A/R
17	MS27039C0807	Screw	X	2
18	MS27039C0806	Screw	X	9
19	MS27039C1-13	Screw	X	4
20	A225-1	Grommet	X	A/R
21	G413-11	Cover Assembly	X	1
22	B401-3	Grommet	X	1
23	F033-1	Console Assembly – Lower (Ref)		
24	MS3367-7-0	Ty-Rap	X	1
25	G703-19	Support Assembly	X	1
26	B630-16	Clamp	X	2
27	NAS1351-3-16	Screw	X	2
28	NAS1149F0316P	Washer	X	4
29	D210-3	Nut	X	4
30	B630-11	Clamp Assembly	X	2
31	MS21042L08	Nut	X	1
32	-2589	Wire (Ref; ground, GSU 75 ADAHRS)		
33	-2564	Wire (Ref; ground, GDU 1060 TXi display)		
34	B260-3	Terminal	X	1
35	B301-8	Nut	X	1

NOTES * Garmin part no.

Continues

FIGURE AND INDEX NUMBER	PART NUMBER	DESCRIPTION	PARTS AVAIL	QTY PER ASSY
PILOT'S SIDE CONSOLE – GDU 1060 TXi DISPLAY (Cont'd)				
90-51-36	B567-43	Screw	X	1
37	A448-10	Bus Bar (4 holes)	X	1
38	C448-2	Terminal Block (4 holes; includes items 35 thru 37 and 39) . .	X	1
39	C448-5	Block (4 holes)	X	1
40	—	Nut	O	1
41	—	Washer	O	2
42	B297-5	Circuit Breaker (5 amp; includes items 40, 41, 45, and 46) . .	X	1
43	—	Bus Bar (Ref)		
44	B260-2	Terminal	X	2
45	—	Screw	O	2
46	—	Washer	O	2
47	-2563	Wire (Ref; power, GDU 1060 TXi display)		
48	-2695	Wire (Ref; power, GSU 75 ADAHRS)		
49	MS21069L08K	Nutplate (install using item 50)	X	1
50	MS20426AD3	Rivet	X	2
51	MS21919WDG16	Clamp	X	1
NOTES				

Intentionally Blank

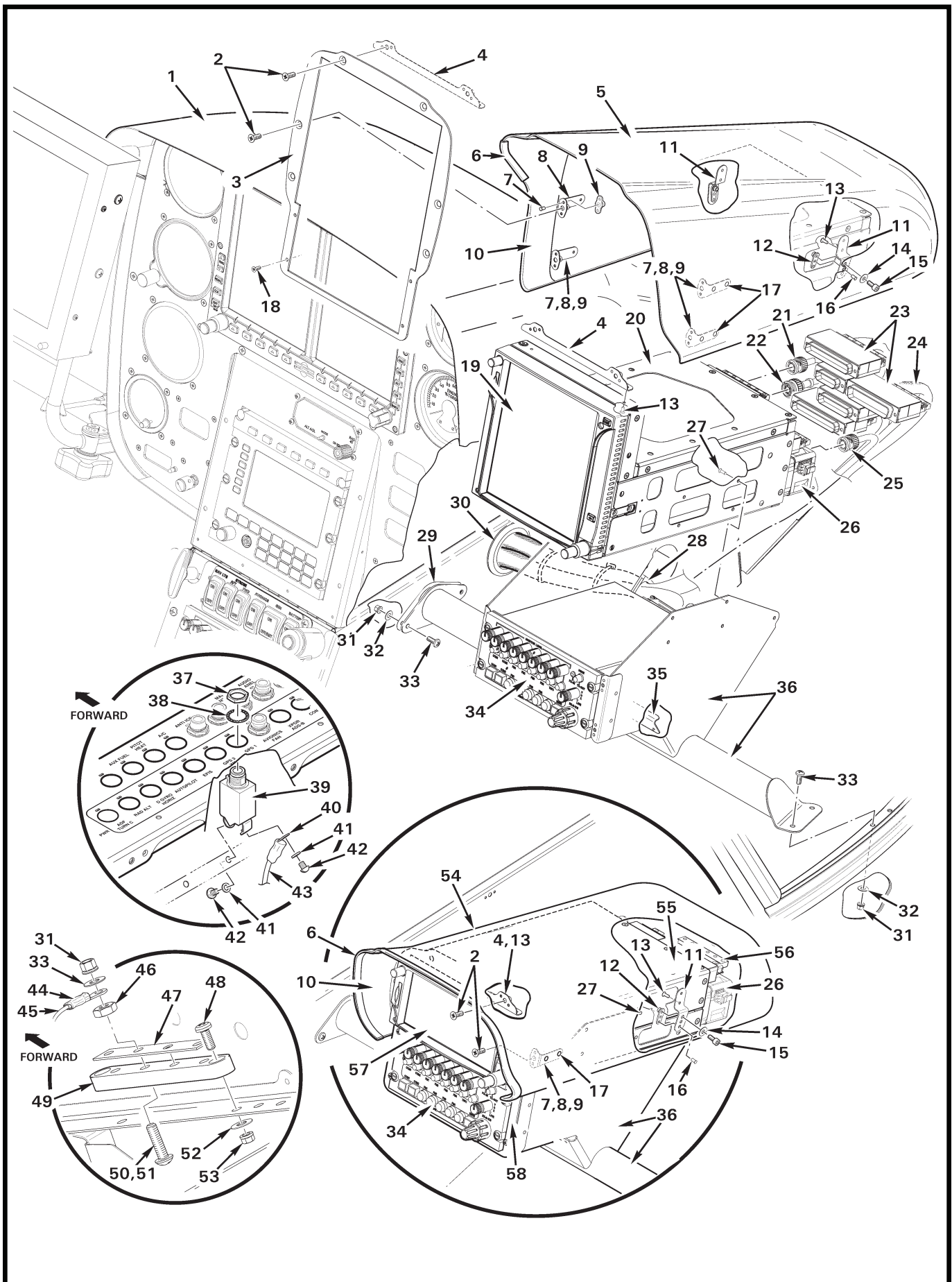


FIGURE AND INDEX NUMBER	PART NUMBER	DESCRIPTION	PARTS AVAIL	QTY PER ASSY
		PILOT'S SIDE CONSOLE – GPS/NAV/COM INSTALLATION		
90-53B-1	G060-4	Console Assembly (Ref)		
2	MS24694-S4	Screw	X	A/R
3	G704-19	Face	X	1
4	G704-7	Angle Assembly (includes nutplates)	X	1
5	G704-2	Shell Assembly (Incl item 6 thru 10)	X	1
6	A226-11	Trim (install with retaining rib on inside)	X	A/R
7	NAS1097AD3	Rivet	X	2
8	B181-6	Angle	X	A/R
9	NAS21069A08	Nutplate	X	4
10	B298-10	Vinyl	X	A/R
11	D704-10	Bracket Assembly (Incl items 12 and 16)	X	2
12	MS21071L06	Nutplate	X	1
13	MS20426AD3	Rivet	X	7
14	NAS1149FN616P	Washer	X	2
15	92196A145	Screw	X	2
16	MS20426AD3	Rivet	X	2
17	MS20470AD3	Rivet	X	4
18	MS35206-214	Screw	X	4
19	GTN 750*	Transceiver (GPS/NAV/COM; includes items 20, 23, and 26)	X	1
20	115-01294-__*	Mounting Rack	O	1
21	5225395-6	Plug (BNC; installed on GPS antenna cable)	X	1
22	5225555-6	Plug (TNC; installed on COM antenna cable)	X	A/R
23	011-02326-0X*	Connector Kit ([5] connectors [P1001 thru P1005], see R66 Maintenance Manual for wire assignments)	O	1
24	B266-8	Sleeving	X	A/R
25	5225395-6	Plug (BNC; installed on NAV antenna cable)	X	1
26	371-00014-01*	Fan	O	1
27	NAS1097AD4	Rivet	X	10
28	MS21919WDG__	Clamp (Ref, see Figure 97-33)		
29	G703-12	Shim	X	A/R
30	B401-3	Grommet	X	1
31	MS21042L08	Nut	X	5
32	NAS1149FN816P	Washer	X	4
33	MS27039C0806	Screw	X	4
34	A711L**	Audio Control Panel (Ref, see Figure 90-9)		

NOTES * Garmin part no.
 ** Technisonic part no.

Continues

FIGURE AND INDEX NUMBER	PART NUMBER	DESCRIPTION	PARTS AVAIL	QTY PER ASSY
		PILOT'S SIDE CONSOLE – GPS/NAV/COM INSTALLATION (Cont'd)		
90-53B-35	G704-20	Support (see Figure 90-9)	X	1
36	G705-10	Support Assembly	X	1
37	—	Nut	O	1
38	—	Washer	O	1
39	B297-5	Circuit Breaker (5 amp, includes items 37, 38, 40, and 42) . .	X	1
40	B260-2	Terminal	X	1
41	—	Lockwasher	O	2
42	—	Screw	O	2
43	-466	Wire (Ref; power [GPS 1])		
	-1426	Wire (Ref; power [GPS 2])		
44	B260-3	Terminal	X	1
45	-465	Wire (Ref; ground [GPS 1])		
	-1427	Wire (Ref; ground [GPS 2])		
46	B301-8	Nut	X	4
47	A448-10	Bus Bar (4-hole)	X	1
48	MS35206-228	Screw	X	2
49	C448-2	Block Assembly (Incl items 46, 47, 50, and 51)	X	1
50	B567-43	Screw (install using item 51)	X	4
51	B270-9	Adhesive	X	A/R
52	NAS1149FN616P	Washer	X	2
53	MS21042L06	Nut	X	2
54	G704-1	Shell Assembly (Incl items 6 thru 10)	X	1
55	115-01293-__ *	Mounting Rack	O	1
56	011-02325-0X	Connector Kit ([4] connectors [P1001 thru P1004], see R66 MM §98 for wire assignments)	O	1
57	GTN 650*	Transceiver (Incl items 25, 55, and 56)	X	1
	GTN 635*	Transceiver (Incl items 25, 55, and 56)	X	1
58	G704-18	Face	X	1

NOTES * Garmin Corp. part no.

Intentionally Blank

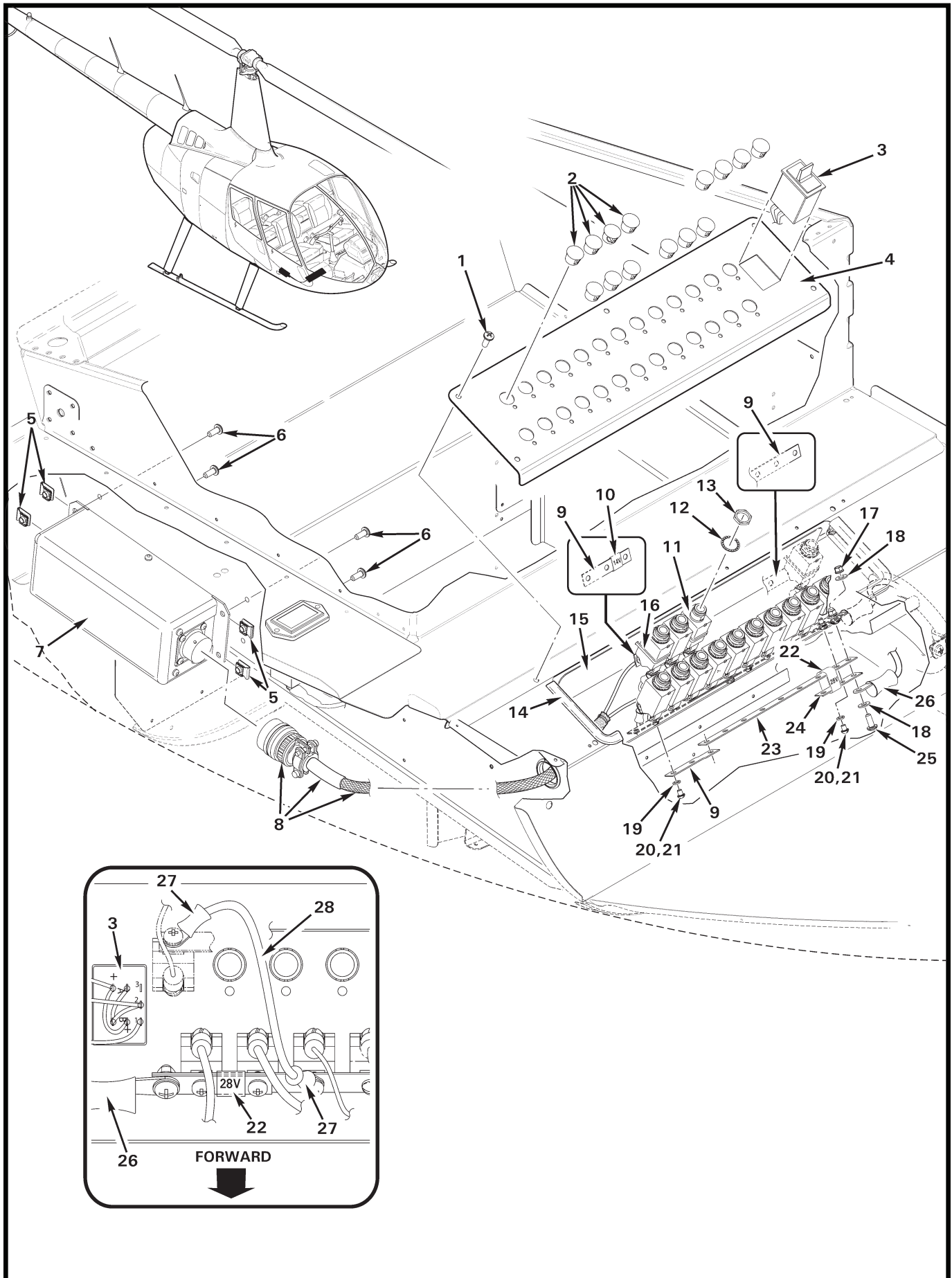


FIGURE AND INDEX NUMBER	PART NUMBER	DESCRIPTION	PARTS AVAIL	QTY PER ASSY
		G423-1 AUX ELECTRICAL SYSTEM – 28-TO-14 VOLT CONVERTER & CB PANEL		
90-55-1	90337A182	Screw (or MS27039C0807)	X	5
2	2633	Hole Plug	X	A/R
3	G049-1	Switch Assembly	X	1
4	G422-1	Panel (police)	X	1
5	B162-2*	Clipnut	X	4
6	MS27039C0806*	Screw	X	4
7	LT-71A*	Converter – Power (28-to-14 volt, 8-amp output)	X	1
8	D392-11*	Harness Assembly	X	1
9	A448-1	Bus Bar (6 breakers)	X	A/R
	A448-4	Bus Bar (3 breakers)	X	A/R
	A448-9	Bus Bar (9 breakers)	X	A/R
	A448-10	Bus Bar (4 breakers)	X	A/R
	A448-14	Bus Bar (8 breakers)	X	A/R
10	B158-6	Heat Shrink (labeled “14V”)	X	A/R
11	B297-2	Circuit Breaker (2-amp; includes items 12 and 13)	X	2
	B297-5*	Circuit Breaker (5-amp; includes items 12 and 13)	X	5
	B297-7	Circuit Breaker (7.5-amp; includes items 12 and 13)	X	A/R
	B297-15	Circuit Breaker (15-amp; includes items 12 and 13)	X	1
12	—	Washer (internal teeth)	O	1
13	—	Nut	O	1
14	A226-15	Trim	X	A/R
15	G596-3	Shield (clear polycarbonate)	X	1
16	MS3367-4-9	Ty-Rap (used with item 15)	X	A/R
17	MS21042L08	Nut	X	1
18	NAS1149DN832H	Washer	X	2
19	—	Washer (split)	O	1
20	—	Screw (or item 21)	O	1
21	MS35206-226	Screw	X	1
22	B158-406	Heat Shrink (labeled “28V”)	X	A/R
23	A448-12	Bus Bar (9 breakers, one hole “offset”)	X	1
24	A448-13	Bus Bar (3 breakers, one hole “offset”; used as a doubler)	X	1
25	MS27039C0806	Screw	X	1
26	-874	Wire (power “in” from relay; Ref)		
27	B260-11	Terminal	X	2
28	-1603	Wire (jumper, 28-volt; Ref)		

NOTES * Earlier R66 police ships.

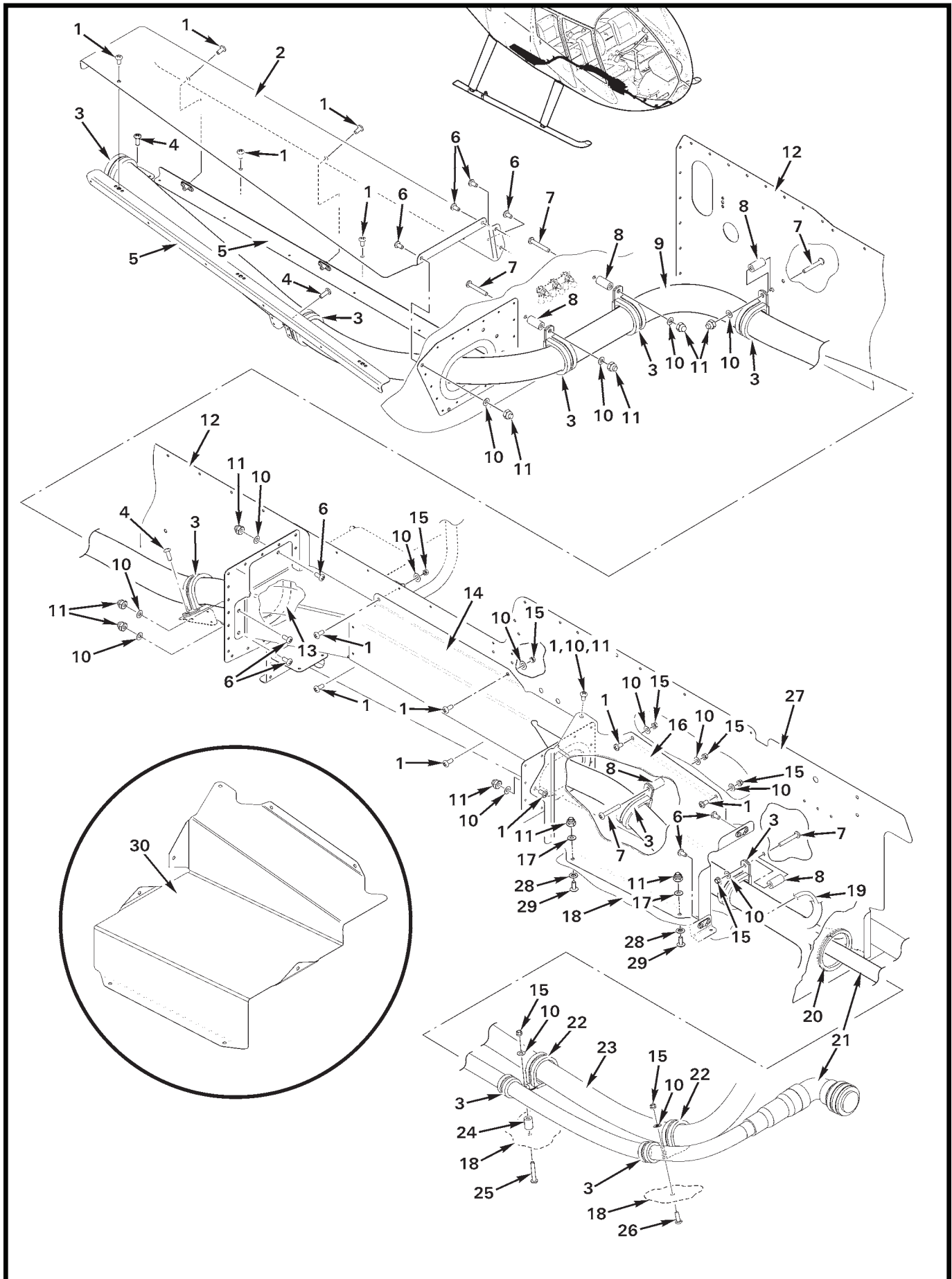


FIGURE AND INDEX NUMBER	PART NUMBER	DESCRIPTION	PARTS AVAIL	QTY PER ASSY
		G423-1 AUX ELECTRICAL SYSTEM – HARNES ASSEMBLY		
90-57-1	MS27039C0805	Screw	X	A/R
2	G701-1	Guard	X	1
3	MS21919WDG_	Clamp (DG4 thru 26 as required)	X	10
4	MS27039C0807	Screw	X	3
5	G701-3	Angle Assembly (Ref)		
6	MS27039C0806	Screw	X	13
7	MS27039C0818	Screw	X	5
8	C130-56	Spacer	X	5
9	G458-1	Harness Assembly (Ref)		
10	NAS1149FN816P	Washer	X	A/R
11	B340-4	Nut	X	A/R
12	F292-2	Keel Panel – RH (Ref)		
13	A226-15	Trim	X	A/R
14	G700-3	Cover Assembly	X	1
15	MS21042L08	Nut	X	8
16	G702-1	Cover Assembly (for ships without Inertial Monitoring Unit installed)	X	1
17	NAS1149FN832P	Washer	X	2
18	F272-1	Chin (Ref)		
19	D392-11 *	Harness Assembly (to 14-volt converter)		
20	NAS557-28A	Grommet	X	1
21	—	Camera Cable (Ref)		
22	MS21919WCH18	Clamp (Ref; heater hose)		
23	A785-39	Hose (Ref; heater installation)		
24	A130-38	Spacer	X	1
	A130-33*	Spacer	X	1
25	MS27039C0817	Screw	X	1
	MS27039C0813*	Screw	X	1
26	AN526C832R9	Screw	X	1
27	F293-2	Keel Panel – RH (Ref)		
28	B527-08	Washer (nylon)	X	2
29	B526-6	Screw	X	2
30	G702-11	Cover (for ships with Inertial Monitoring Unit installed)	X	1

NOTES * Earlier police ships.

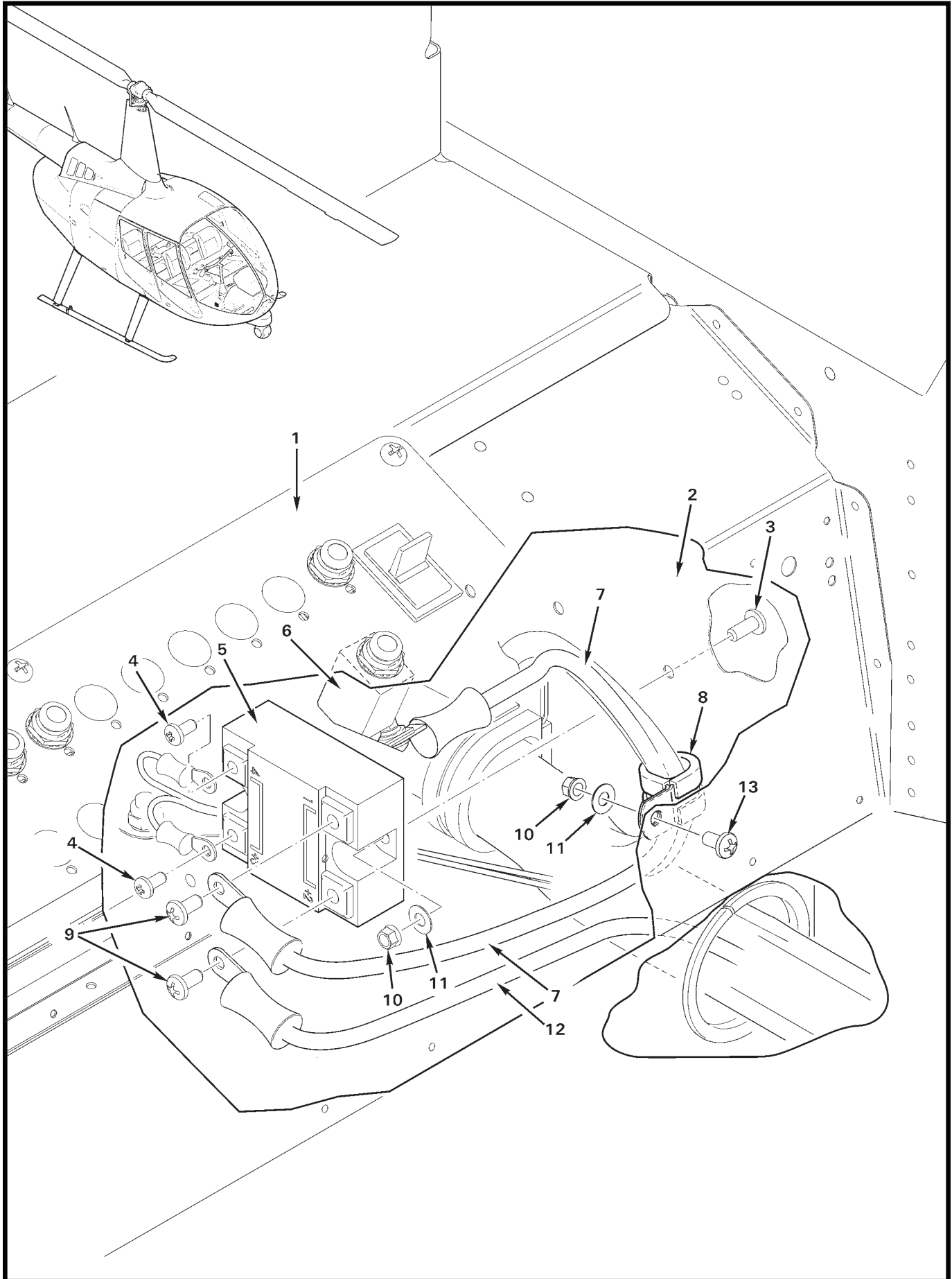


FIGURE AND INDEX NUMBER	PART NUMBER	DESCRIPTION	PARTS AVAIL	QTY PER ASSY
G423-1 AUX ELECTRICAL SYSTEM – RELAY				
90-59-1	G422	Panel – Aux Circuit Breaker (Ref)		
2	F293-2	Keel Panel – RH (Ref)		
3	MS27039C0806	Screw	X	2
4	—	Screw (small)	O	2
5	D06D100	Relay (Incl items 4 and 9)	X	1
6	B297-7	Circuit Breaker – “14V CONV” (Ref, see Figure 90-55)		
7	-874	Wire (Ref)		
8	MS21919WDG	Clamp (MS21919WDG4 thru 26 as required)	X	1
9	—	Screw (large)	O	2
10	MS21042L08	Nut	X	2
11	NAS1149FN816P	Washer	X	2
12	A780-63	Cable Assembly (wire #873; Ref)		
13	MS27039C0805	Screw	X	1

NOTES

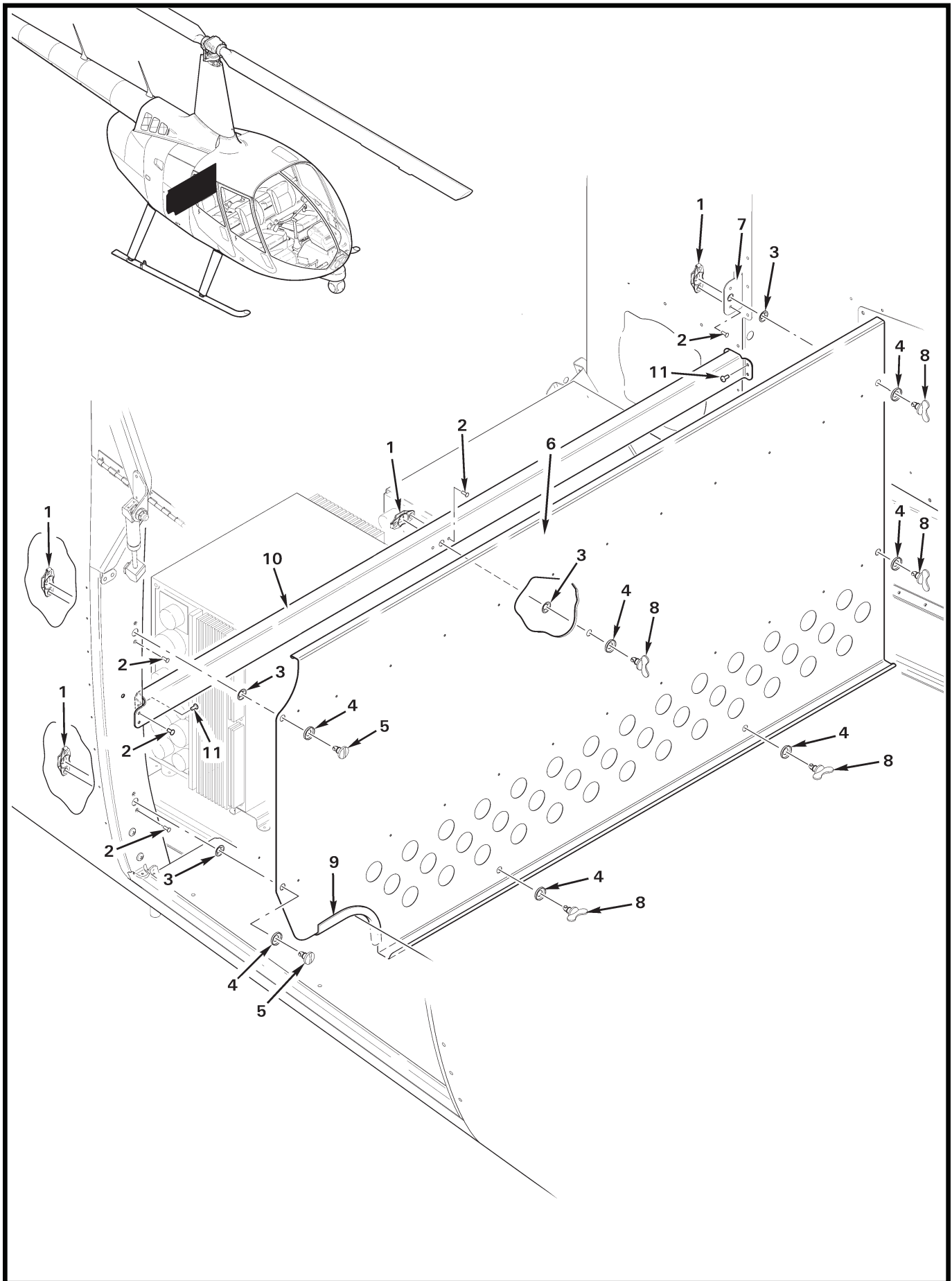


FIGURE AND INDEX NUMBER	PART NUMBER	DESCRIPTION	PARTS AVAIL	QTY PER ASSY
G425-1 WALL INSTALLATION				
90-61-1	85-35-295-15	Receptacle	X	A/R
2	MS20426AD4	Rivet	X	16
3	85-34-201-20	Retaining Ring	X	7
4	85-46-101-39	Washer	X	7
5	85-11-140-16	Stud	X	2
6	G428-1	Wall Assembly (Incl items 3 thru 5, and 8)	X	1
7	G428-2	Angle Assembly (Incl item 1; Ref)		
8	85-12-140-16	Stud	X	5
9	A226-15	Trim	X	A/R
10	G431-5	Beam Assembly (Incl items 1 and 2)	X	1
11	MS20470AD4	Rivet	X	6
NOTES				

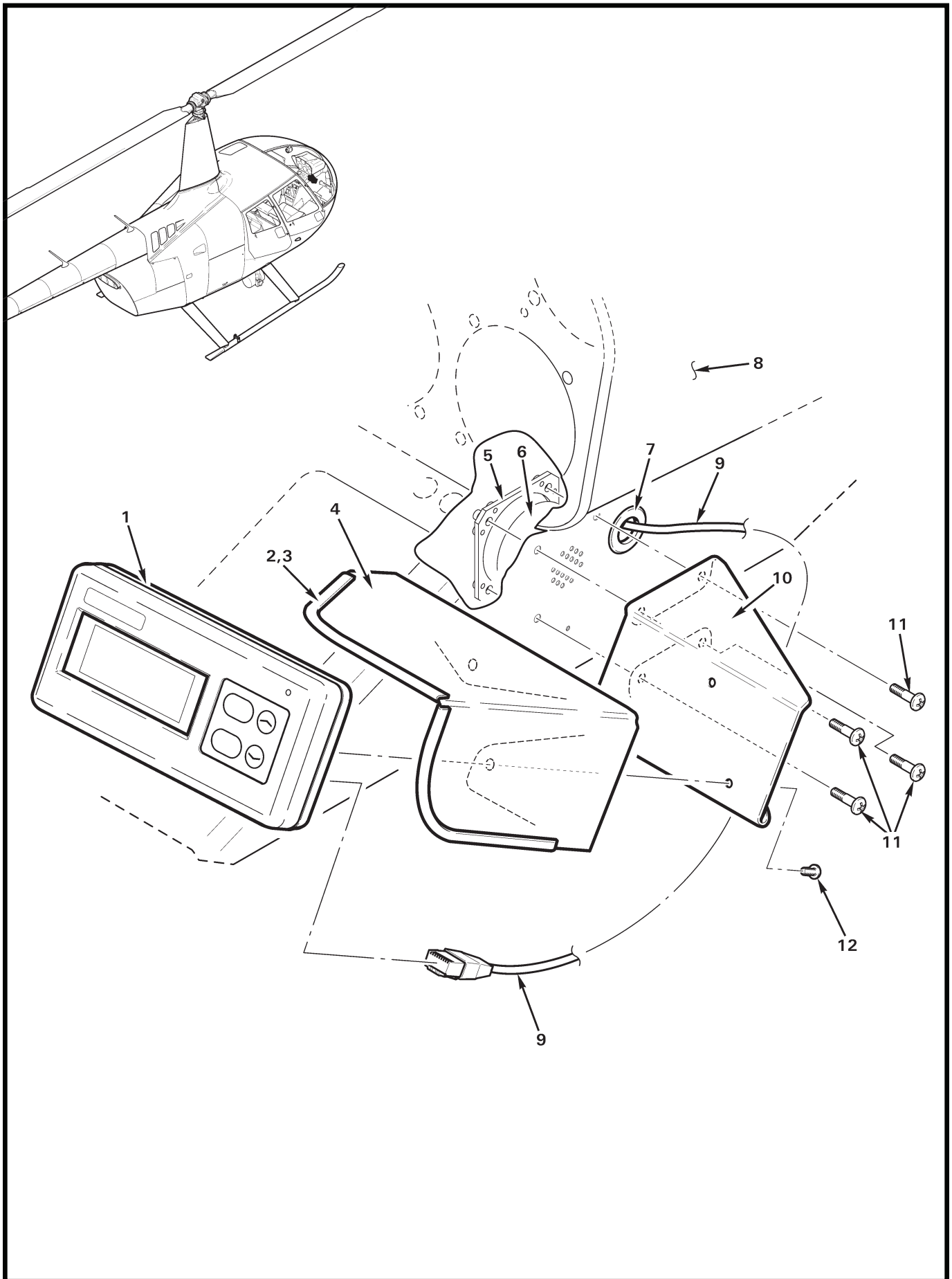


FIGURE AND INDEX NUMBER	PART NUMBER	DESCRIPTION	PARTS AVAIL	QTY PER ASSY
G437-1 LOJACK INSTALLATION – DISPLAY				
90-63-1	4106-0006-00	Display	O	1
2	A226-9	Molding	X	A/R
3	B270-8qt	Adhesive	X	A/R
4	D600-3	Visor Assembly (Incl items 2 and 3)	X	1
5	A479-2	Ring (Ref)		
6	B320-3	Horn Assembly (Ref)		
7	MS35489-149	Grommet	X	1
8	B050	Console Assembly (Ref)		
9	0001-0039-00	Cable (Ref)		
10	D436-6	Support	X	1
11	MS27039C0810	Screw	X	10
12	MS27039C1-04	Screw	X	2

NOTES

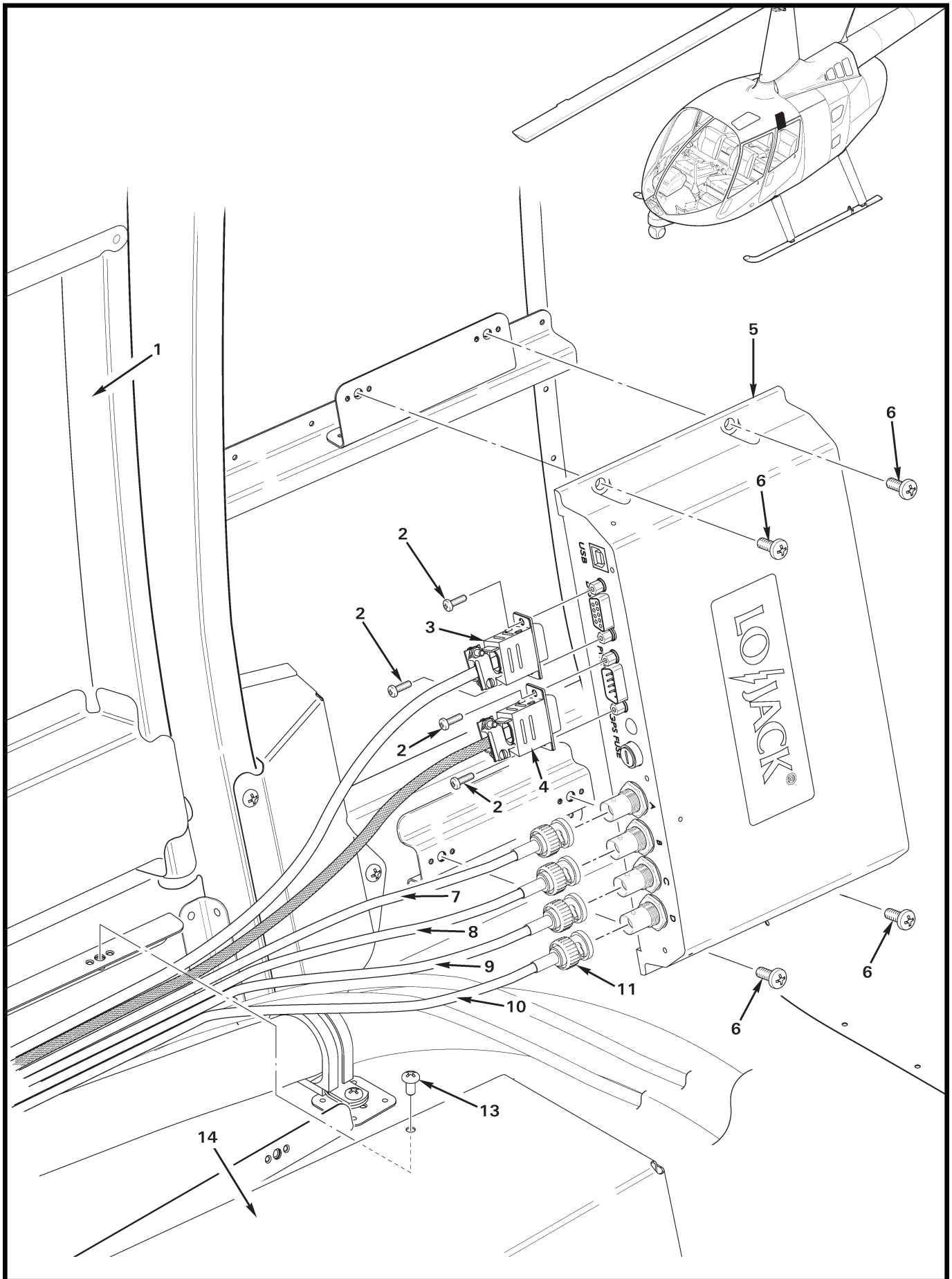


FIGURE AND INDEX NUMBER	PART NUMBER	DESCRIPTION	PARTS AVAIL	QTY PER ASSY
G437-1 LOJACK INSTALLATION – RECEIVER				
90-65-1	G900-1	Baggage Door Assembly (Ref)		
2	—	Screw	O	4
3	B269-3	Plug	X	1
	B269-21	Backshell	X	1
	B269-31	Screw Lock (male)	X	2
4	B269-4	Receptacle	X	1
	B269-2	Terminator	X	1
	B269-62	Socket	X	1
	B269-21	Backshell	X	1
	B269-31	Screw Lock (male)	X	2
	B260-3	Terminal (#1892 wire at ground)	X	1
5	4107-0003-10	Receiver (or PTC2A-E)	O	1
6	MS27039C1-08	Screw	X	4
7	D431-2402	Cable Assembly (Incl item 11)	X	1
8	D431-2403	Cable Assembly (Incl item 11)	X	1
9	D431-2404	Cable Assembly (Incl item 11)	X	1
10	D431-2405	Cable Assembly (Incl item 11)	X	1
11	225395-1	Plug (BNC)	X	1
12	G707-1	Cover (Ref)		
13	MS27039C0805	Screw (Ref)		
14	G701-1	Guard	X	1

NOTES

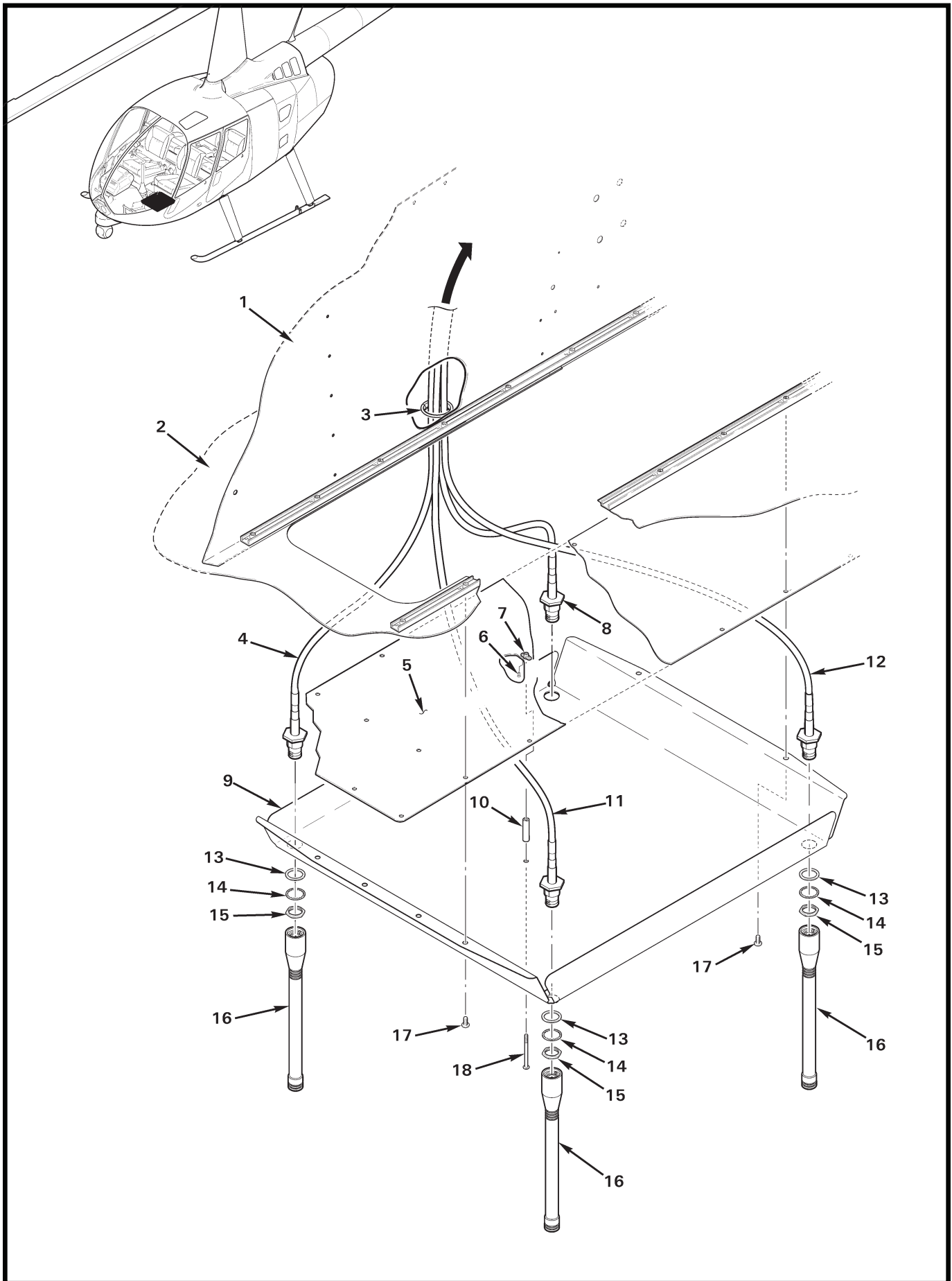


FIGURE AND INDEX NUMBER	PART NUMBER	DESCRIPTION	PARTS AVAIL	QTY PER ASSY
G437-1 LOJACK INSTALLATION – ANTENNAS				
90-67-1	F293-2	Keel Panel – RH (Ref)		
2	F272-1	Chin (belly; Ref)		
3	NAS557-14B	Grommet	X	1
4	D431-2403	Cable Assembly	O	1
5	F794-1	Panel (Ref)		
6	NAS1097AD3	Rivet	X	2
7	MS21069L3	Nutplate	X	1
8	D431-2404	Cable Assembly	O	1
9	D435-1	Mount	X	1
10	A130-16	Spacer	X	1
11	D431-2402	Cable Assembly	X	1
12	D431-2405	Cable Assembly		
13	—	Gasket	O	1
14	—	Washer (internal teeth)	O	1
15	—	Nut	O	1
16	EXB164BNX	Antenna (Incl items 13 thru 15)	X	4
17	MS27039C0806	Screw (existing; [6] thru item 9)	X	6
18	MS27039C1-30	Screw	X	1

NOTES

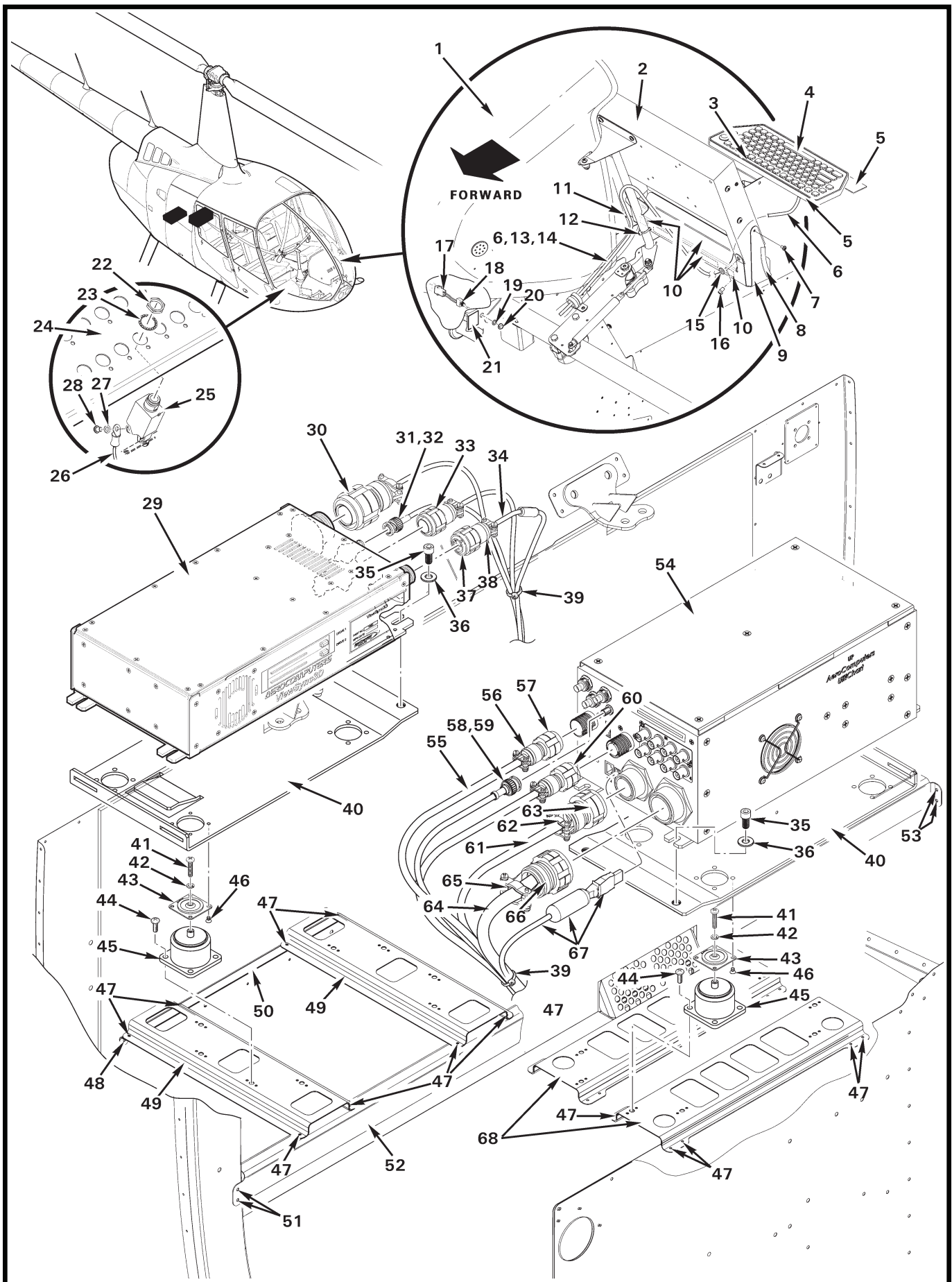


FIGURE AND INDEX NUMBER	PART NUMBER	DESCRIPTION	PARTS AVAIL	QTY PER ASSY
		G608 MAPPING SYSTEM – COMPUTER INSTALLATION		
90-69-1	G060	Console Assembly (Ref)		
2	DVI 10LDB	Monitor (Ref)		
3	D610-5	Decal	X	1
4	D610-6	Keyboard Assembly (Incl items 3, 5, 6, 13, and 14)	X	1
5	B175-12	Loop Tape (two places)	X	A/R
6	—	Cable (keyboard)	O	1
7	MS35206-226	Screw	X	2
8	A226-11	Trim (two places)	X	A/R
9	G417-4	Tray Assembly (Incl items 5, 8, and 10)	X	1
10	B175-11	Hook Tape	X	A/R
11	B458	Harness Assembly – Auxiliary (Ref)		
12	MS3367-5-0	Ty-Rap (secures item 9 to pivot assembly)	X	1
13	AE10091-ND	Plug Assembly (not shown)	X	1
14	AE10090-ND	Hood (not shown)	X	1
15	MS35489-4	Grommet	X	1
16	MS27039C1-04	Screw	X	1
17	B049-9	Switch Assembly (Incl item 18)	X	1
18	B300-1	Switch (Incl items 19 and 20)	X	1
19	B227-3	Lockwasher	X	1
20	B227-4	Dress Nut	X	1
21	G682-23	Decal	X	1
22	—	Nut	O	1
23	—	Lockwasher	O	1
24	G422-1	Panel – Circuit Breaker (Ref)		
25	B297-5	Circuit Breaker (5 amp; includes items 22, 23, 27 and 28)	X	1
26	-2247	Wire (power, Ref)		
27	—	Washer (split)	O	1
28	—	Screw	O	1
29	VIEWSYNCC3D	Computer	O	1
30	300817-W	Cable Assembly (supplied with item 29)	O	1
31	D431-2654	Cable Assembly (to FLIR ECU)	X	1
32	2065-11-9	Plug (BNC; shown)	X	1
33	300822-3	Cable	O	1
34	D725-8	Harness Assembly	X	1
35	—	Screw	O	4

NOTES

Continues

FIGURE AND INDEX NUMBER	PART NUMBER	DESCRIPTION	PARTS AVAIL	QTY PER ASSY
G608 MAPPING SYSTEM – COMPUTER INSTALLATION (Cont'd)				
90-69-36	—	Washer	O	4
37	D38999/26WB5SN	Plug	X	1
38	M80549/38-11W	Backshell	X	1
39	MS3367-4-0	Ty-Rap	X	A/R
40	C00008-D	Tray (Incl items 38 and 39)	O	2
41	MS51957-47	Screw (or MS27039C0810)	X	8
42	MS35338-137	Lockwasher (or B332-42)	X	8
43	100PL-6	Isolator (supplied with item 29)	O	8
44	MS27039C1-07	Screw	X	16
45	H44-AA-4	Mount	X	8
46	—	Screw (supplied with item 29)	O	32
47	NAS9301B-02	Rivet	X	24
48	MS20615-3M	Rivet	X	5
49	G431-1	Support Assembly	X	2
50	G431-4	Angle (Ref)		
51	MS20426AD4	Rivet	X	2
52	G431-5	Beam Assembly	X	1
53	MS20470AD4	Rivet	X	4
54	UC-5300	Computer	O	1
55	D725-5	Harness Assembly (“18-36VDC”; includes items 56 and 57)	X	1
56	M85049/38-11W	Backshell	X	1
57	D38999/26WB45N	Plug	X	1
58	D431-2265	Cable Assembly (“VIDEO IN”, includes item 59)	X	1
59	2065-11-9	Plug (BNC; shown)	X	1
60	300822-W	Cable (“VGAIN”)	O	1
61	D725-6	Harness Assembly (“VGA KBD”; includes items 62 and 63)	X	1
62	M85049/38-17W	Backshell	X	1
63	D38999/26WE35PN	Plug	X	1
64	D725-7	Harness Assembly (“AUX”; includes items 65 and 66)	X	1
65	M85049/38-21W	Backshell	X	1
66	D38999/26WG35PN	Plug	X	1
67	F3U130-16	Cable (to keyboard)	O	1
68	G429-2	Support Assembly	X	2

NOTES

Intentionally Blank

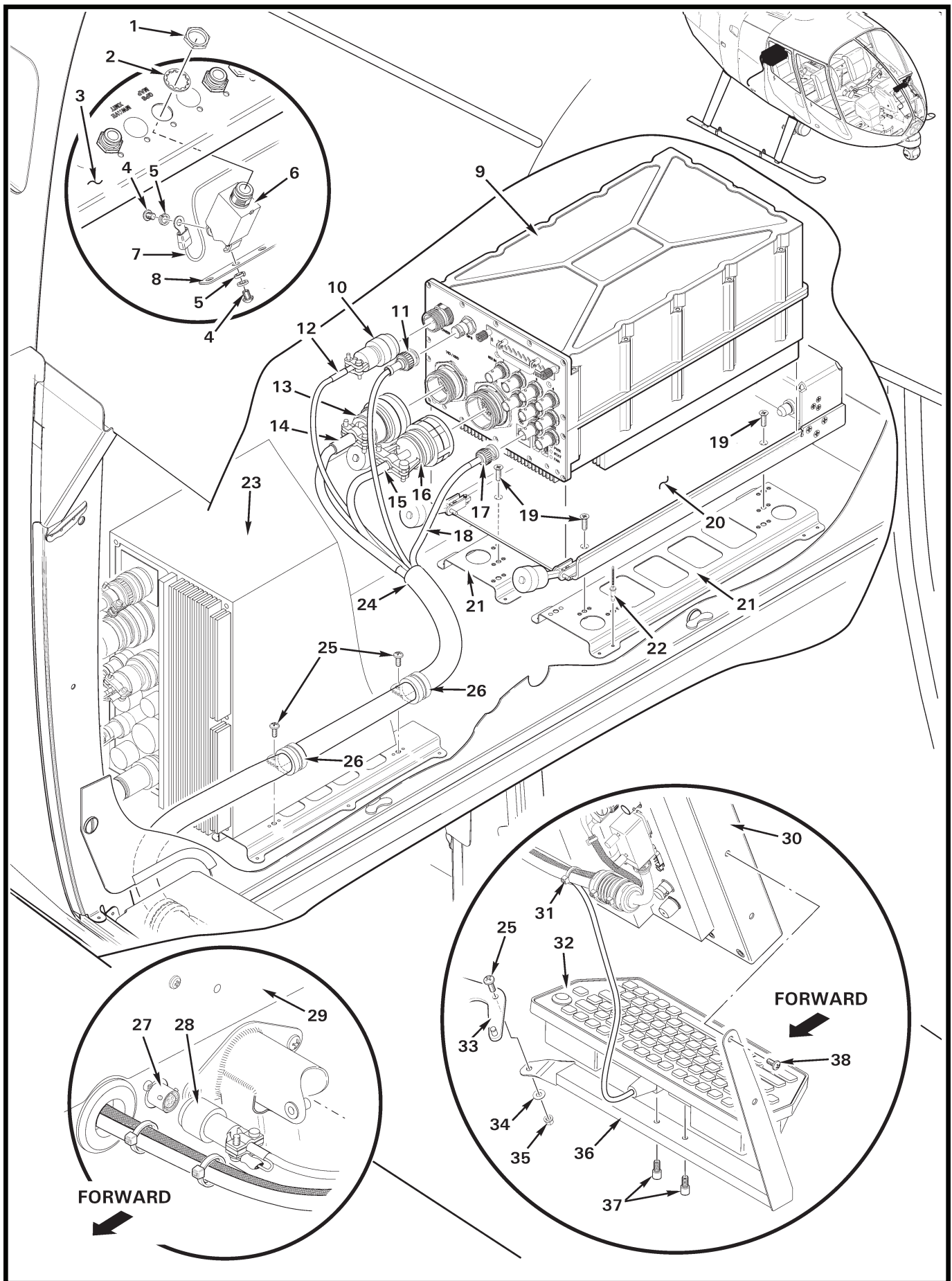


FIGURE AND INDEX NUMBER	PART NUMBER	DESCRIPTION	PARTS AVAIL	QTY PER ASSY
G608-7/-8 MAPPING SYSTEM – COMPUTER INSTALLATION				
90-71B-1	—	Nut	O	1
2	—	Lockwasher	O	1
3	G422-1	Panel – Circuit Breaker (Ref)		
4	—	Screw	O	1
5	—	Washer (split)	O	1
6	B297-5	Circuit Breaker (5 amp; includes items 1, 2, 4 and 5)	X	1
7	-2247	Wire (power, Ref)		
8	A448	Bus Bar (Ref)		
9	UC-6000*	Computer	O	1
10	D38999/26WB2SA	Plug (power)	X	1
	M85049/38-11W	Backshell	X	1
11	5225555-6	Plug (GPS antenna cable)	X	1
12	B158-3	Heat Shrink (labeled "POWER")	X	A/R
13	D38999/26WE35PN	Plug (VGA/Keyboard)	X	1
	M85049/38-17W	Backshell	X	1
14	B158-8	Heat Shrink (labeled "VGA/KBD")	X	A/R
15	B158-6	Heat Shrink (labeled "AUX")	X	A/R
16	D38999/26WG35PN	Plug (FLIR control, FLIR ECU, IMU)	X	1
	M85049/38-21W	Backshell	X	1
17	2065-11-9	Plug (BNC)	X	1
18	D431-2265	Cable Assembly (Incl item 17)	X	1
19	MS24694-C5	Screw	X	4
20	301320A	Tray (included with item 9)	O	1
21	G429-2	Support Assembly	X	2
22	NAS9301B-4-02	Rivet	X	16
23	—	FLIR Electronics Control Unit (Ref)		
24	MS3367-5-0	Ty-Rap	X	1
25	MS27039C0806	Screw	X	2
26	MS21919WDG__	Clamp (DG4 thru DG12 as required)	X	2
27	MS3110E8-4S	Receptacle (Ref)		
28	MS3116F8-4P	Socket	X	1
	B158-4	Heat Shrink	X	A/R
29	—	Console Assembly (Ref)		
30	G416-5	Monitor (Ref)		
31	MS3367-4-0	Ty-rap (Ref)		

NOTES * Aerocomputers part no.

Continues

FIGURE AND INDEX NUMBER	PART NUMBER	DESCRIPTION	PARTS AVAIL	QTY PER ASSY
G608-7/-8 MAPPING SYSTEM – COMPUTER INSTALLATION (Cont'd)				
90-71B-32	D610-6	Keyboard Assembly (Incl item 28)	X	1
33	G417-5	Pivot Assembly (Ref)		
34	NAS1149FN816P	Washer	X	1
35	B340-4	Nut	X	1
36	G417-7	Tray Weldment	X	1
37	NAS1352-08-4P	Screw	X	2
38	MS27039C1-06	Screw	X	2
NOTES				

Intentionally Blank

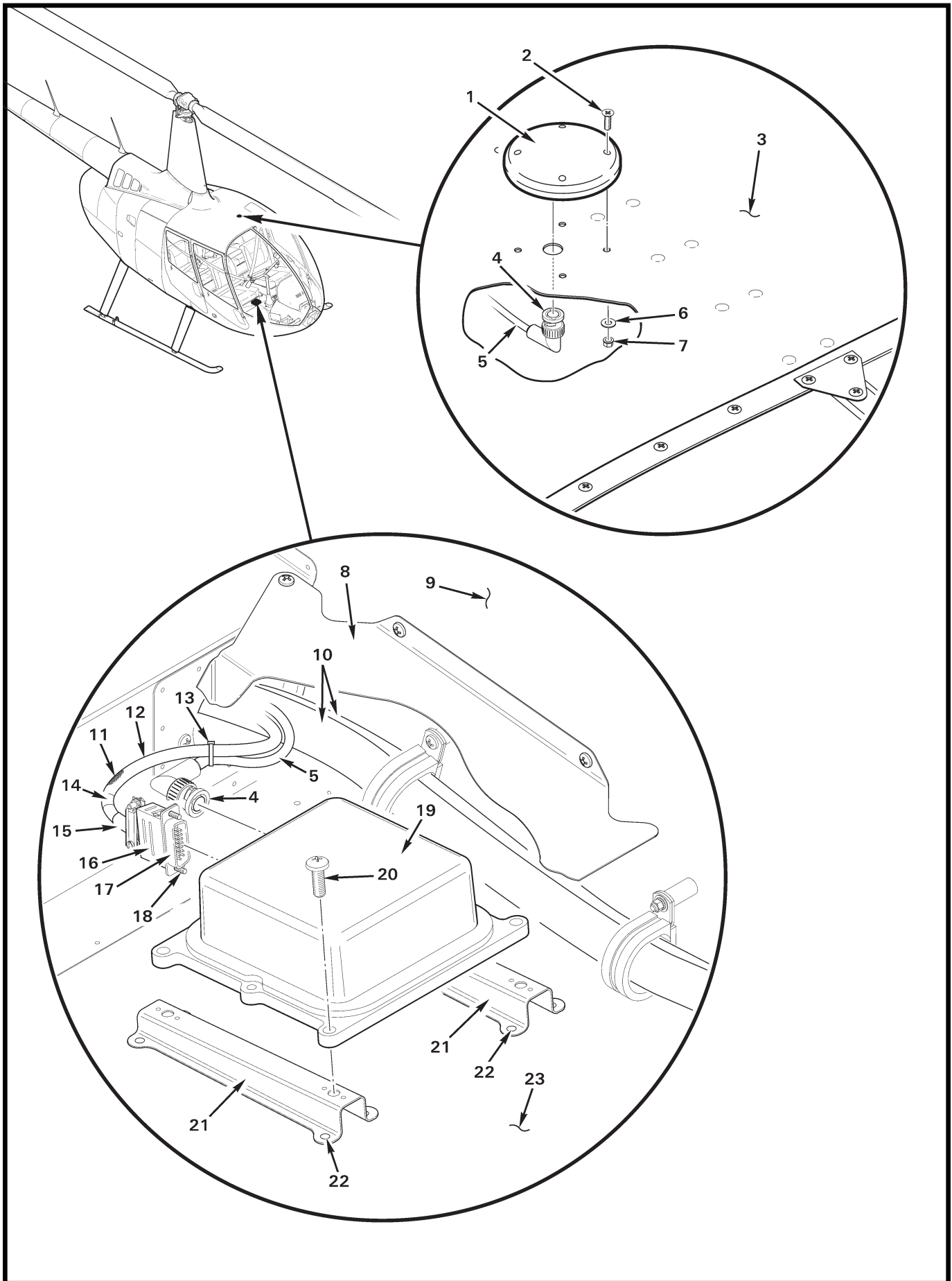


FIGURE AND INDEX NUMBER	PART NUMBER	DESCRIPTION	PARTS AVAIL	QTY PER ASSY
G608 MAPPING SYSTEM – COMPONENTS INSTALLATION				
90-73-1	L1/L2	Antenna (GPS)	X	1
2	MS24694-C51	Screw	X	4
3	F273-1	Roof (Ref)		
4	5225554-6	Plug (90°)	X	2
5	B274-518	Cable (antenna)	X	A/R
6	NAS1149F0332P	Washer	X	4
7	MS21042L3	Nut	X	4
8	F702-11	Cover (Ref)		
9	F293-2	Keel Panel (RH, Ref)		
10	G458-1	Harness Assembly – Auxiliary (Ref)		
11	B266-4	Sleeving	X	A/R
12	D725-7	Harness Assembly (Ref; includes items 11, 13, and 15 thru 18)		
13	MS3367-4-0	Ty-Rap	X	A/R
14	B158-6	Heat Shrink (label “IMU”)	X	A/R
15	B158-6	Heat Shrink	X	A/R
16	B269-21	Backshell	X	1
17	B269-77	Plug	X	1
18	B269-31	Screw Lock (male)	X	2
19	—	IMU (Inertial Monitoring Unit sensor; supplied with UC-5300, or UC-6000 computer. See Figure 90-69 and 90-71B.)	O	1
20	MS27039C4-11	Screw	X	4
21	G429-15	Support Assembly	X	2
22	MS20470AD4	Rivet	X	8
23	B272-1	Chin (Ref)		

NOTES

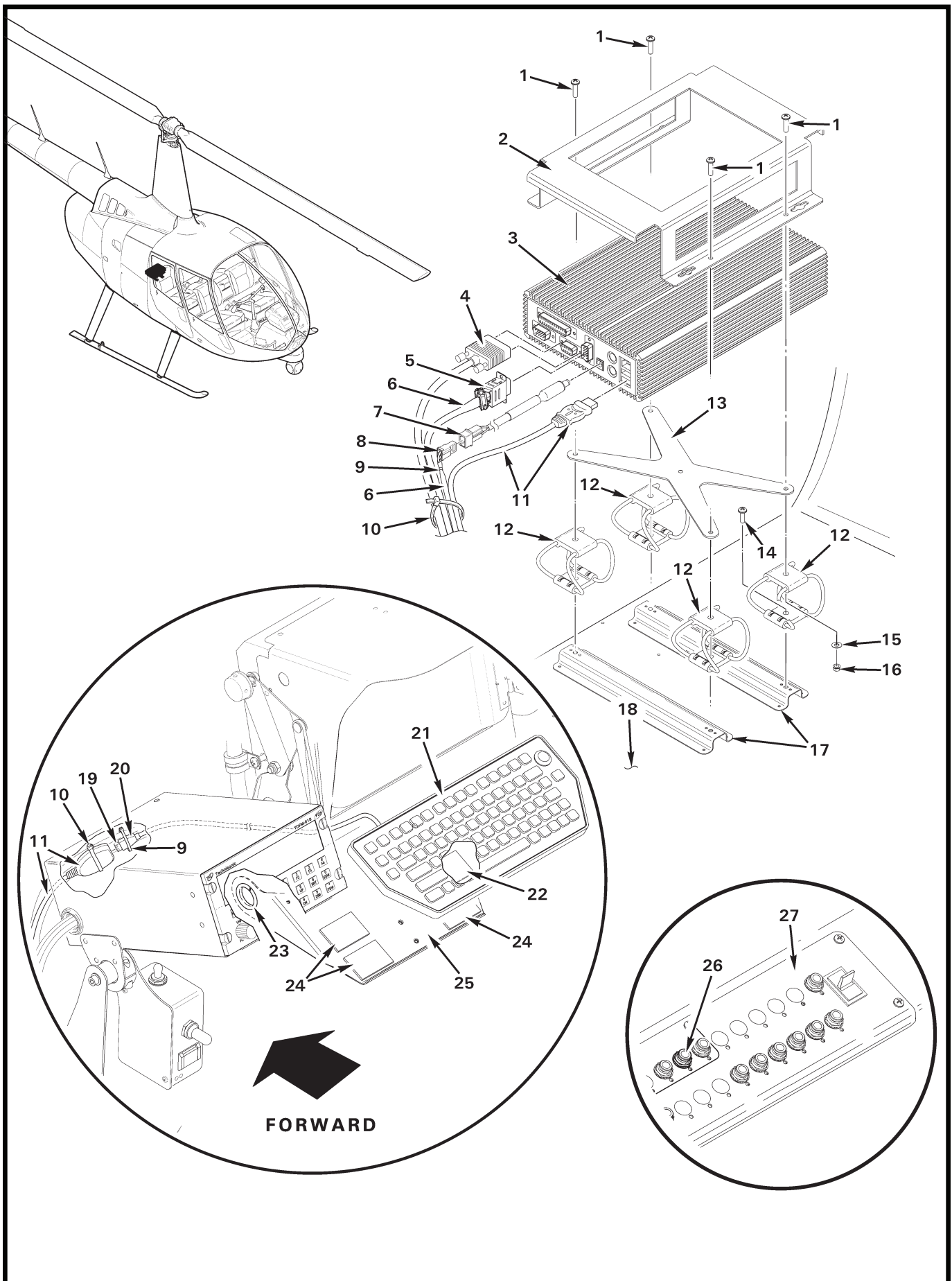


FIGURE AND INDEX NUMBER	PART NUMBER	DESCRIPTION	PARTS AVAIL	QTY PER ASSY
G608-1 MAPPING SYSTEM INSTALLATION				
90-75-1	MS27039C0810	Screw	X	4
2	D608-2	Bracket	X	1
3	LPS-460FS	Computer	X	1
4	JV-VGA-15	Cable	X	1
5	B269-4	Receptacle	X	1
	B269-21	Backshell	X	1
	B269-31	Screw Lock (male)	X	2
6	B266-4	Sleeving	X	A/R
7	B263-32	Housing	X	1
	B263-3	Pin	X	2
	B158-4	Heat Shrink	X	A/R
8	B263-33	Housing	X	1
	B263-2	Pin	X	2
	B158-2	Heat Shrink	X	A/R
9	MS3367-4-0	Ty-Rap	X	A/R
10	MS3367-5-0	Ty-Rap	X	A/R
11	F3U130-16	Cable (USB, to keyboard [item 21]; Ref)		
12	CR4-300-S	Isolator	X	4
13	D617-5	Plate	X	1
14	MS27039C0808	Screw	X	4
15	NAS1149FN816P	Washer	X	4
16	MS21042L08	Nut	X	4
17	G429-11	Support Assembly (Ref)		
18	G241-1	Floor (Ref)		
19	AE10090-ND	Hood	X	1
20	AE10091-ND	Plug Assembly	X	1
21	D610-6	Keyboard Assembly (includes items 19, 20, 22, and cable; assembled)	X	1
22	B175-12	Loop Tape	X	A/R
23	NAS557-12A	Grommet	X	2
24	B175-11	Hook Tape	X	A/R
25	D609-4	Tray Assembly (Incl items 23 and 24)	X	1
26	B297-5	Circuit Breaker (5-amp)	X	1
27	G442-1	Circuit Breaker Panel (auxiliary, Ref)		

NOTES

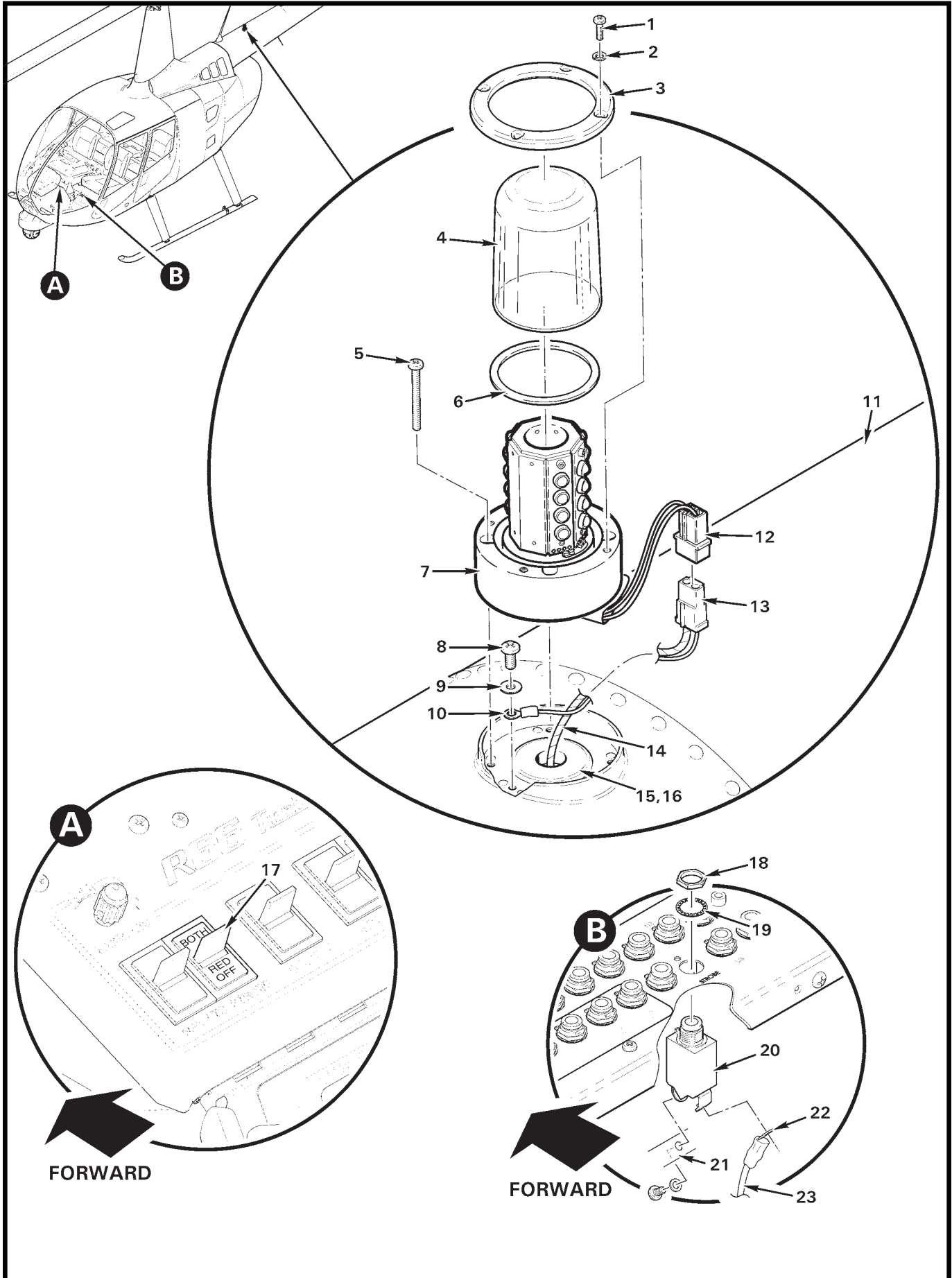


FIGURE AND INDEX NUMBER	PART NUMBER	DESCRIPTION	PARTS AVAIL	QTY PER ASSY
G685-1 AUX STROBE INSTALLATION				
90-77-1	14-0050505-14*	Screw	O	4
2	16-0050506135*	Lockwasher (MS35338-135)	O	4
3	19-171047-100*	Retainer	O	1
4	68-4971082A30*	Lens (clear)	O	1
5	MS35206-329	Screw	O	4
6	30-0250885-00*	Gasket	O	1
7	A708-13	Strobe Light Assembly (red; incl items 1 thru 4, 6, and 12) . .	X	1
	A708-15	Strobe Light Assembly (blue; incl items 1 thru 4, 6, and 12) . .	X	1
	A708-16	Strobe Light Assembly (white; incl items 1 thru 4, 6, and 12)	X	1
8	MS27039C0806	Screw	X	1
9	NAS1149FN832P	Washer	X	2
10	B260-3	Terminal	X	2
11	C023	Tailcone Assembly (Ref)		
12	02-0230007-00*	Housing	O	1
	—	Pin	X	2
13	B263-13	Housing	X	1
	—	Socket	X	2
14	B161-2	Spirap	X	A/R
15	MS35489-15	Grommet	X	1
16	B270-8qt	Adhesive	X	4
17	B184-14	Switch Assembly	X	1
18	—	Nut	O	1
19	—	Washer	O	1
20	B297-7	Circuit Breaker (7 1/2 amp; includes items 18 and 19)	X	1
21	A448-1	Bus Bar (Ref)		
22	B260-3	Terminal (Ref)		
23	-105	Wire (Ref)		

NOTES

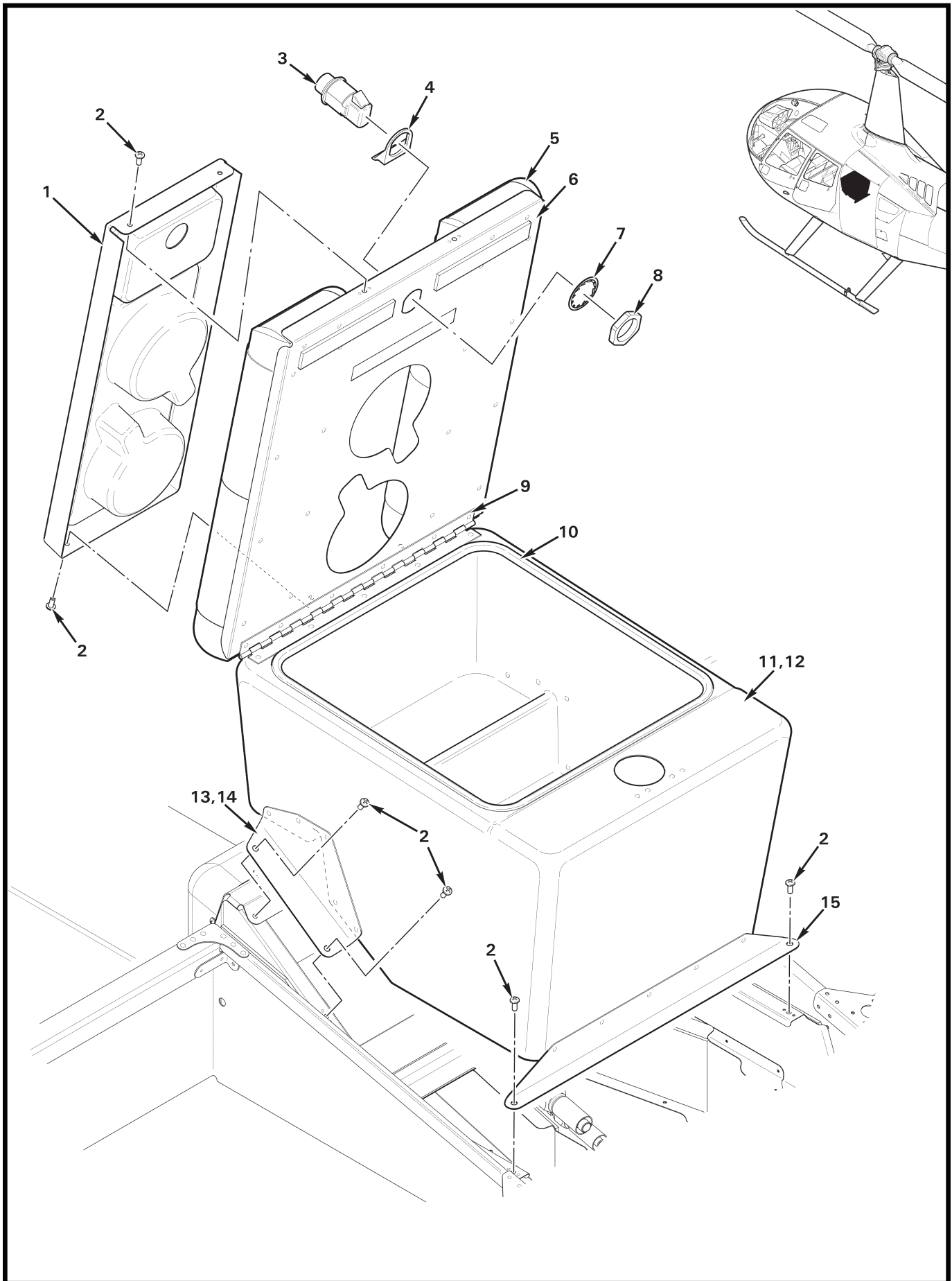


FIGURE AND INDEX NUMBER	PART NUMBER	DESCRIPTION	PARTS AVAIL	QTY PER ASSY
G749-1 AFT CONSOLE INSTALLATION*				
90-79-1	G751-1	Tray	X	1
2	MS27039C0806	Screw	X	10
3	93-303	Latch	X	1
4	—	Tab	O	1
5	G749-3	Cushion Assembly	X	2
6	G750-1	Tray Assembly	X	1
7	—	Lockwasher	O	1
8	—	Nut	O	1
9	G750-6	Hinge	X	1
10	A226-11	Trim	X	A/R
11	G749-2	Console Assembly (Incl items 1, 2 [4], 3 thru 10, and 12 thru 14)	X	1
12	G752-1	Box	X	1
13	G750-3	Bracket (LH)	X	1
14	G750-4	Bracket (RH, not shown)	X	1
15	G750-5	Angle	X	1

NOTES * Replaces F932-1 back rest assembly, and F931-1 seat assembly; see Figure 25-1.

Intentionally Blank