

**R22 SERVICE LETTER SL-87**

**R44 SERVICE LETTER SL-73**

**DATE:** 21 August 2020

**TO:** R22-series, R44, & R44 II Owners, Operators, and Maintenance Personnel

**SUBJECT:** Main and Tail Gearbox Oil

**ROTORCRAFT AFFECTED:** All R22-series and R44-series helicopters.

**BACKGROUND:** RHC has recently transitioned from P/N A257-2 (blue or blue-green) gear oil to P/N A257-22 (semi-clear amber, synthetic) gear oil in R22 & R44 main and tail gearboxes. A257-22 oil is the same oil used on R66 helicopters. A257-22 oil use in new R22 and R44 helicopters is effective:

R22 Helicopters S/N 4825 and subsequent,  
R44 Helicopters S/N 2621 and subsequent,  
R44 II Helicopters S/N 14398 and subsequent, and  
R44 Cadet Helicopters S/N 30069 and subsequent.

Certain gearbox features are required to use A257-22 oil. Older gearboxes should continue to use A257-2 oil. Instructions to ensure appropriate oil type are provided below.

---

**COMPLIANCE PROCEDURE:**

1. All R22 & R44 gearboxes (including new) may use A257-2 (traditional, blue) oil if more convenient or desired. Drain and flush per Maintenance Manual (MM) if converting from A257-22 oil.
2. Tail gearboxes are eligible for A257-22 oil provided a B563-4 sight gage is installed (refer to Figure 1); not all tail gearboxes can be retrofitted with the B563-4 sight gage (due to thread differences).
3. A006 R22 main gearboxes with A146-1 Revision Q & subsequent pinion are eligible for A257-22 oil. A146-1 pinion data plate is adjacent A006 gearbox data plate.
4. C006 R44 main gearboxes with C146-2 Revision Q & subsequent pinion are eligible for A257-22 oil. C146-2 pinion data plate is adjacent C006 gearbox data plate.

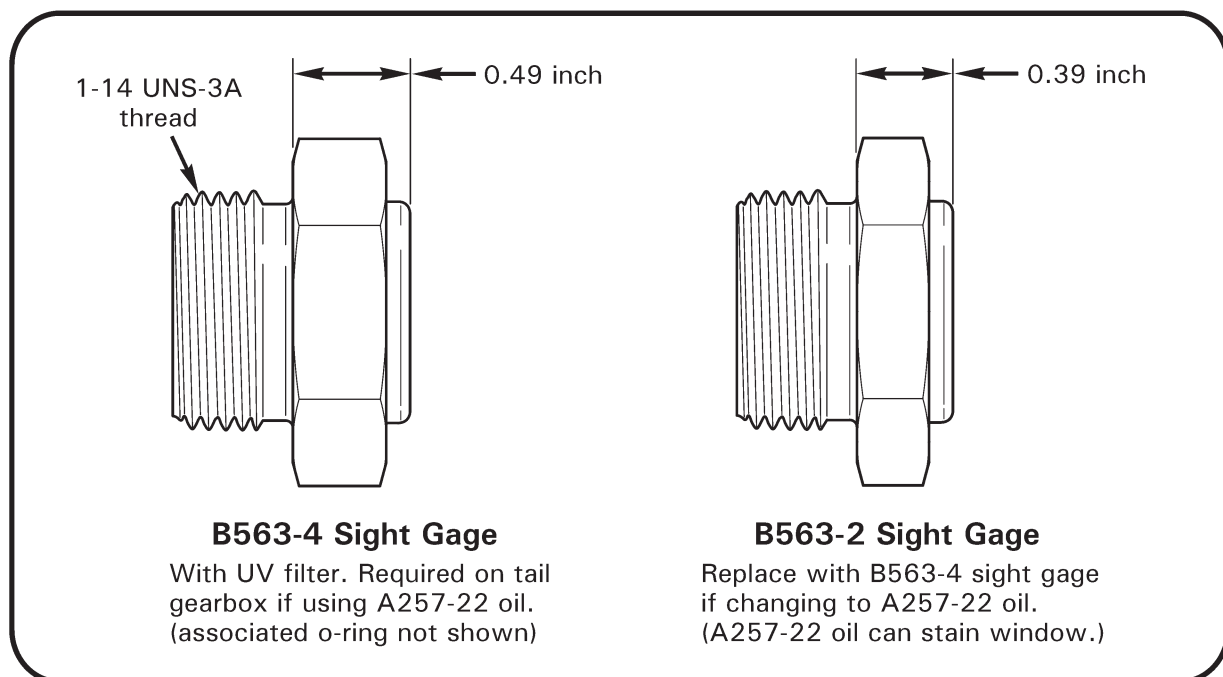
(OVER)

NOTES:

- Ensure proper decal is installed on aft wall of aux fuel tank (decal will need to be replaced if changing oil types):

<u>R22-series</u>	<u>R44-series</u>
F654-14 decal specifies A257-2 (blue) oil	F654-13 decal specifies A257-2 (blue) oil
F654-50 decal specifies A257-22 (amber) oil	F654-12 decal specifies A257-22 (amber) oil

- Do not mix A257-22 and A257-2 oil. If inadvertent mixture of oils occurs, drain and flush affected gearbox per MM followed by servicing with correct gearbox oil.
- The same oil should be used in main and tail gearboxes to conform with the appropriate decal above.



**FIGURE 1**