

R66 SERVICE LETTER SL-31

DATE: 02 December 2019

TO: R66 Owners, Operators, and Maintenance Personnel

SUBJECT: RR300 Engine Corrosion Prevention

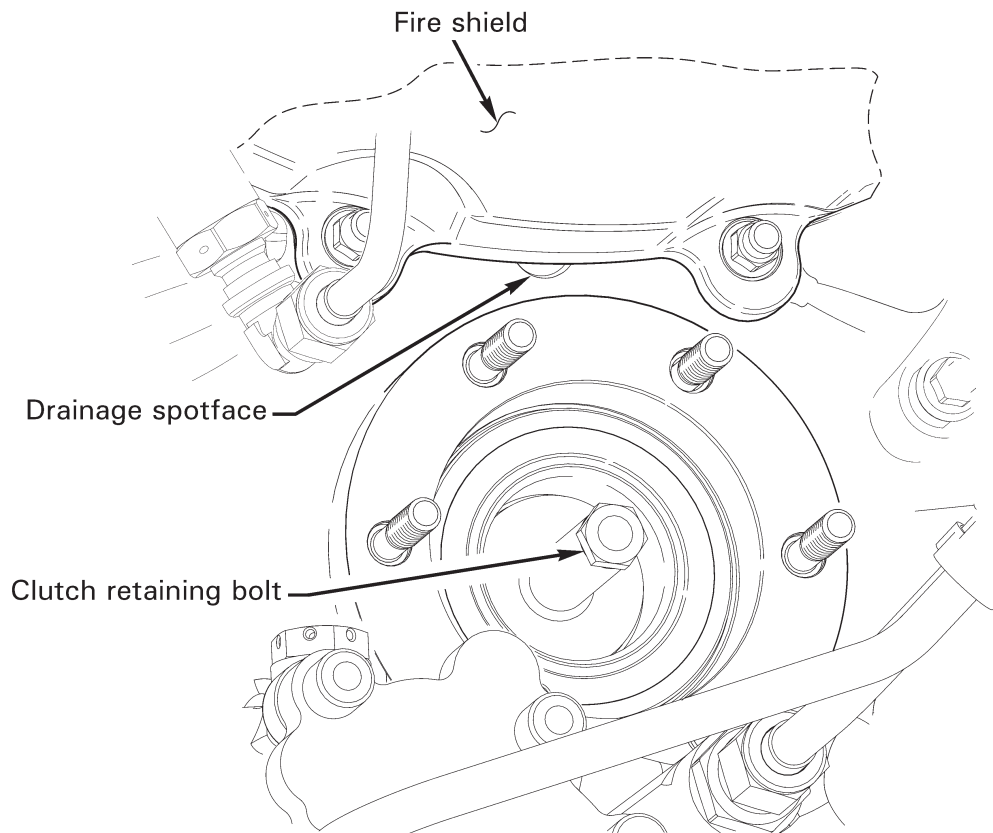
BACKGROUND: RHC has received reports of corrosion on the RR300 engine. This letter emphasizes the importance of following published Rolls-Royce guidance. Additionally, whenever the engine is cleaned, RHC recommends verifying the drainage spotface on the magnesium gearbox cover is unobstructed.

COMPLIANCE PROCEDURE:

Refer to (available [online](#)):

- RR300 Operation and Maintenance Manual (OMM) Task 05-50-00-100-801, Clean the Engine after Operation in a Corrosive Environment, and
- NTO (Notice To Operators) No. RR300-020, RR300 Engine Wash Procedures.

During cleaning or rinsing of engine, visually ensure spotface allows drainage. Follow OMM guidance; do NOT use metallic tools or wire to remove debris.



VIEW LOOKING UP & FORWARD